



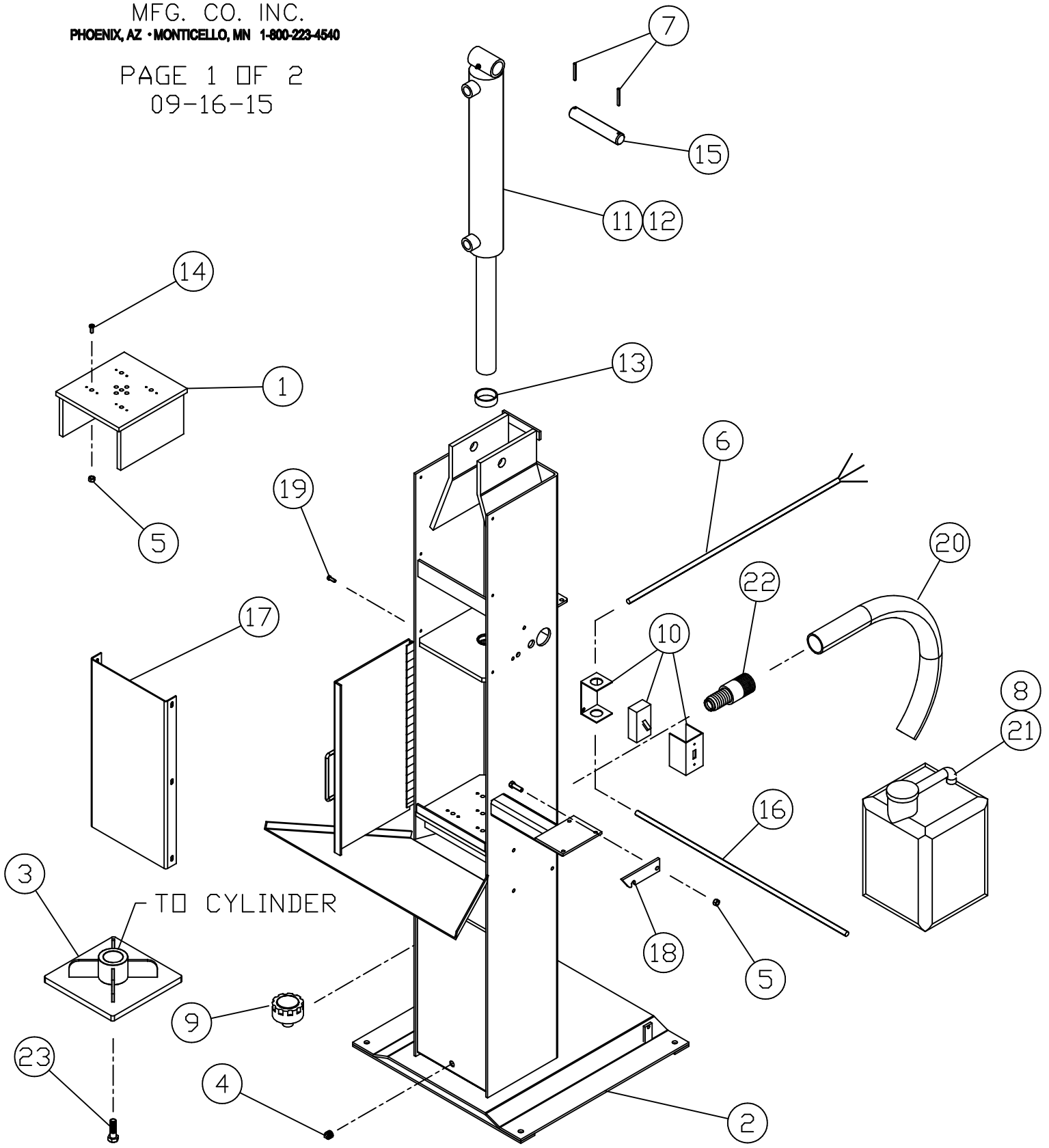
TIRE SERVICE EQUIPMENT

MFG. CO. INC.

PHOENIX, AZ • MONTICELLO, MN 1-800-223-4540

TC-15 MAIN PART LIST

PAGE 1 OF 2
09-16-15





TC-15

REPAIR PARTS LIST

Page 2 of 2

PART NUMBER:
BEGINNING SERIAL No.
9/29/2015

PARTS LIST			
ITEM	PART NO.	DESCRIPTION	QTY
1	5545	REMOVABLE TABLE WELD	2
2	5554	MAIN FRAME WELD	1
3	5555	PRESS PLATE WELD	1
4	126	DRAIN PLUG, 3/4 NPT	1
5	212	NUT, 3/8-16 NYLOK	6
6	704	CORD SET, ELECT, 3-COND, 12-AWG	1
7	1840	SPRING PIN	2
8	3155	RUBBER STRAP 10"	1
9	3474	FILLER CAP	1
10	3483	SWITCH, SWITCH BOX & COVER	1
11	3640	CYLINDER, HYDRAULIC 4 X 16	1
12	3640-RK	CYLINDER REPAIR KIT	REF
13	3667	BUSHING	1
14	3692	SHCS 3/8-16 X 1	5
15	3733	PIN, CYLINDER 1-1/4 X 6--1/2	1
16	3737	CORD SET, ELECT, 3-COND, 12 AWG	1
17	3750	CYLINDER COVER	1
18	3771	LATCH, DOOR	1
19	3774	HHCS 1/4-20 X 3/4	6
20	3887	HOSE, WASTE DRAIN, 1-1/4 ID	1
21	3888	CONTAINER, WASTE OIL	1
22	3921	NIPPLE, 1-1/4 ID HOSE	1
23	4193	HHCS 5/8-11 X 2	1
24			
25			
26			
27			
28			
29			
30			

PARTS LIST			
ITEM	PART NO.	DESCRIPTION	QTY
31			
32			
33			
34			
35			
36			
37			
38			
39			
40			
41			
42			
43			
44			
45			
46			
47			
48			
49			
50			
51			
52			
53			
54			
55			
56			
57			
58			
59			
60			



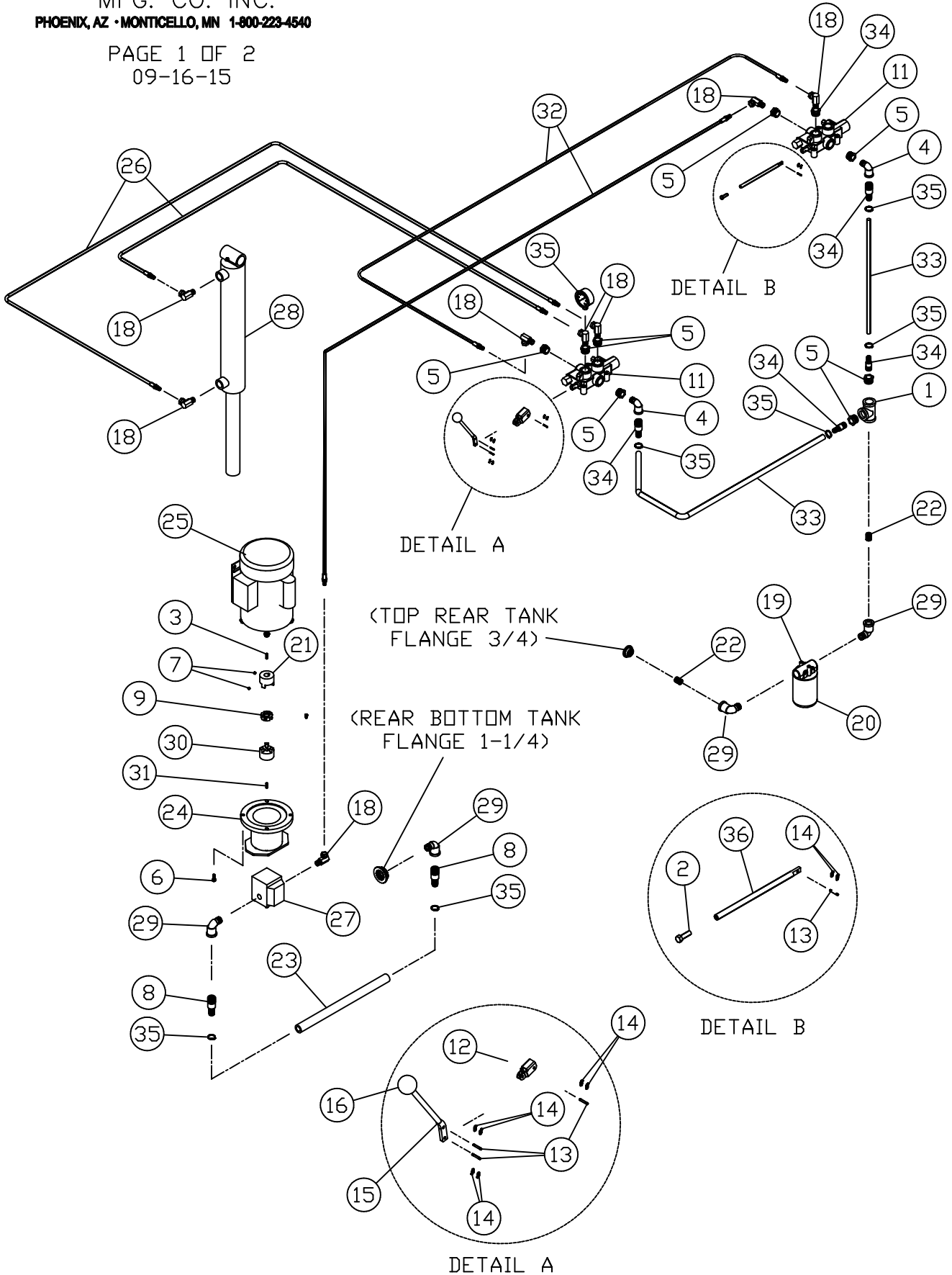
TIRE SERVICE EQUIPMENT

MFG. CO. INC.

PHOENIX, AZ • MONTICELLO, MN 1-800-223-4540

TC-15 HYDRAULIC REPAIR PARTS

PAGE 1 OF 2
09-16-15





TC-15

HYDRAULIC REPAIR PARTS LIST

Page 2 of 2

PART NUMBER:
BEGINNING SERIAL No.
3/06/2018

PARTS LIST			
ITEM	PART NO.	DESCRIPTION	QTY
1	347	TEE 3/4 X 3/4 X 3/4	1
2	447	HHCS 3/8-16 X 1-1/4	1
3	572	KEY 3/16 SQ	1
4	713	ELBOW, STREET 3/8 X 90 DEGREE	2
5	714	REDUCER BUSHING 3/4 X 3/8	9
6	1306	HHCS 3/8-16 X 1	4
7	1360	SET SCREW 5/16-18 X 1/4	2
8	1502	BARBED FITTING 3/4 NPT X 3/4 ID HOSE	2
9	3017	INSERT, RUBBER	1
10	3019	PRESSURE GAUGE	1
11	3020-1	VALVE, HYDRAULIC	2
12	3020-2	LINK, VALVE HANDLE	1
13	3020-3	PIN, CLEVIS	4
14	3020-4	COTTER PIN	8
15	3020-5	HANDLE, VALVE	1
16	3020-6	KNOB, HANDLE	1
17	3020-RK	VALVE REPAIR KIT	REF
18	3089	FITTING, ADAPTER 1/2 NPT	8
19	3090	FILTER HOUSING	1
20	3090-1	FILTER CANISTER	1
21	3103	FLEX JAW COUPLING	1
22	3135	NIPPLE, CLOSE 3/4	2
23	3473	HYD HOSE 3/4 ID X 18" LG 100 R4	1
24	3479	PUMP HOUSING	1
25	3541	MOTOR, ELEC 2 HP, 3450 RPM	1
26	3550	HOSE 3/8 X 40" LG 100 R2	2
27	3624	PUMP, 2-STAGE, 7 GPM	1
28	3640	CYLINDER, HYDRAULIC 4 X 16	1
29	3670	ELBOW, STREET 3/4 X 90 DEGREE	4
30	3014	FLEX JAW COUPLING 1/2	1

PARTS LIST			
ITEM	PART NO.	DESCRIPTION	QTY
31	3957	KEY 1/8 SQ	1
32	4041	HOSE 3/8 X 25" LG 100 R2	2
33	4043	HOSE 1/2 ID 300 PSI X 32" LG	2
34	4208	BARBED FITTING 1/2 ID HOSE X 3/8 NPT	4
35	4373	HOSE CLAMP	6
36	4723	ADJUSTMENT ROD 1/2 DIA X 1-1/4	1
37			
38			
39			
40			
41			
42			
43			
44			
45			
46			
47			
48			
49			
50			
51			
52			
53			
54			
55			
56			
57			
58			
59			
60			