

TIRE SERVICE EQUIPMENT

MFG. CO. INC.

PHOENIX, AZ - MONTICELLO, MN 1-800-223-4540

GB-10

GLASS BREAKER

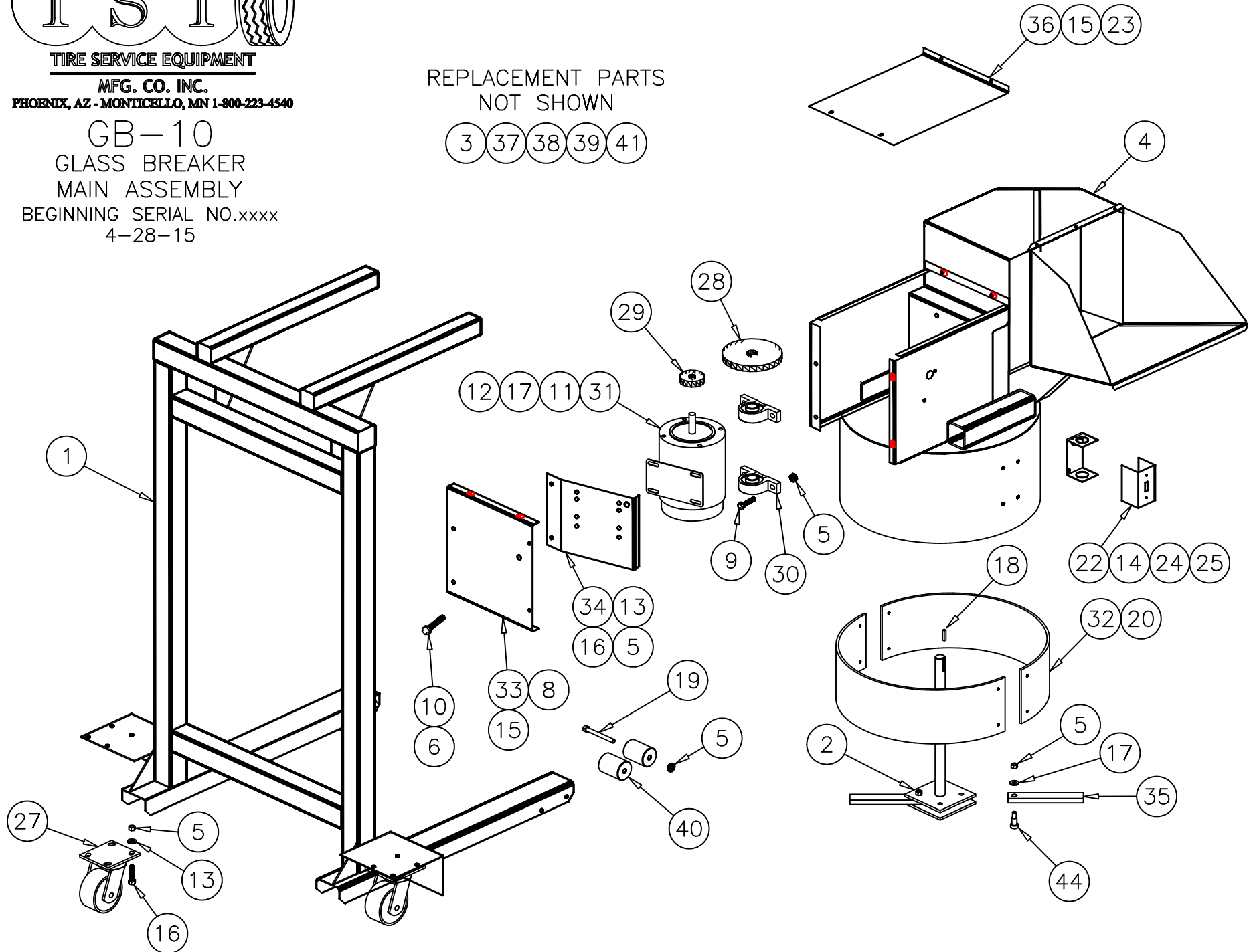
MAIN ASSEMBLY

BEGINNING SERIAL NO.xxxx

4-28-15

REPLACEMENT PARTS
NOT SHOWN

3 37 38 39 41





MFG. CO. INC.
PHOENIX, AZ - MONTICELLO, MN 1-800-223-4540

GLASS BREAKER GB-10

REPAIR PARTS BOM

PN: 0000
BEGINNING SERIAL NO.0000
4/28/2015

PARTS LIST			
ITEM	PART NO.	DESCRIPTION	QTY
1	6214	FRAME WELD	1
2	6215	SHAFT, WELD	1
3	6216	BAND, SKIRT, WELD	1
4	6217	MAIN HOUSING, WELD	1
5	212	NUT 3/8-16 NYLOK	19
6	223	NUT 1/2-13 NYLOK	1
7	226	NUT 1/4-20 SELF LOCK	2
8	445	WASHER 1/4 FLAT WROUGHT	21
9	447	HHCS 3/8-16 X 1-1/4	7
10	485	HHCS 1/2-13 X 3	1
11	565	HHCS 5/16-18 X 1	4
12	566	NUT 5/16-18 NYLOK	4
13	700	WASHER 3/8 FLAT WROUGHT	12
14	705	FLEX COUPLING, ELEC CONNECTOR	1
15	903	HHCS 1/4-20 X .75	19
16	1306	HHCS 3/8-16 X 1.0	8
17	1318	WASHER 5/16 FLAT WROUGHT	8
18	1492	KEYWAY 1/4 X 1.0	1
19	1611	HHCS 3/8-16 X 4-1/2	4
20	1819	SELF TAP 1/4-20 X 3/4, WASHER HEAD	14
21	3031	DECAL - WARNING	2
22	3483	SWITCH, ON/OFF	1
23	4134	WASHER 1/4 SPRING LOCK	6
24	4243	CORD, 3-PRONG MOLDED PLUG	1
25	4267	CORD, 14/3	1
26	4782	DECAL - SAFETY GLASSES	3
27	10403	CASTER WHEEL W/LOCK	2
28	12245	V-PULLEY 6" OD X 1" BORE, A-BELT	1
29	12244	V-PULLEY 2-1/2" OD X 5/8" BORE, A-BELT	1
30	12249	BEARING, PILLOW 1"ID X 1.44 MTG	2

PARTS LIST			
ITEM	PART NO.	DESCRIPTION	QTY
31	12250	MOTOR 1/2HP 1725RPM 115V, 60HZ 1/2 SHAFT	1
32	12305	INSERT, CYL. RING PANEL	2
33	12310	BOX END	1
34	12311	MOTOR MOUNT	1
35	12314	PADDLE, SHAFT	2
36	12331	BOX COVER	1
37	12332	SAFETY CURTAIN, INNER	1
38	12333	SAFETY CURTAIN, MAIN	1
39	12334	SAFETY SKIRT	1
40	12337	ROLLER WHEEL	4
41	12340	BELT, A28 (4L300) 30"	1
42		DECAL - GB-10	2
43		DECAL - MADE IN USA	1
44	12756	SHOULDER BOLT 1/2 X 7/8	2
45			
46			
47			
48			
49			
50			
51			
52			
53			
54			
55			
56			
57			
58			
59			
60			