

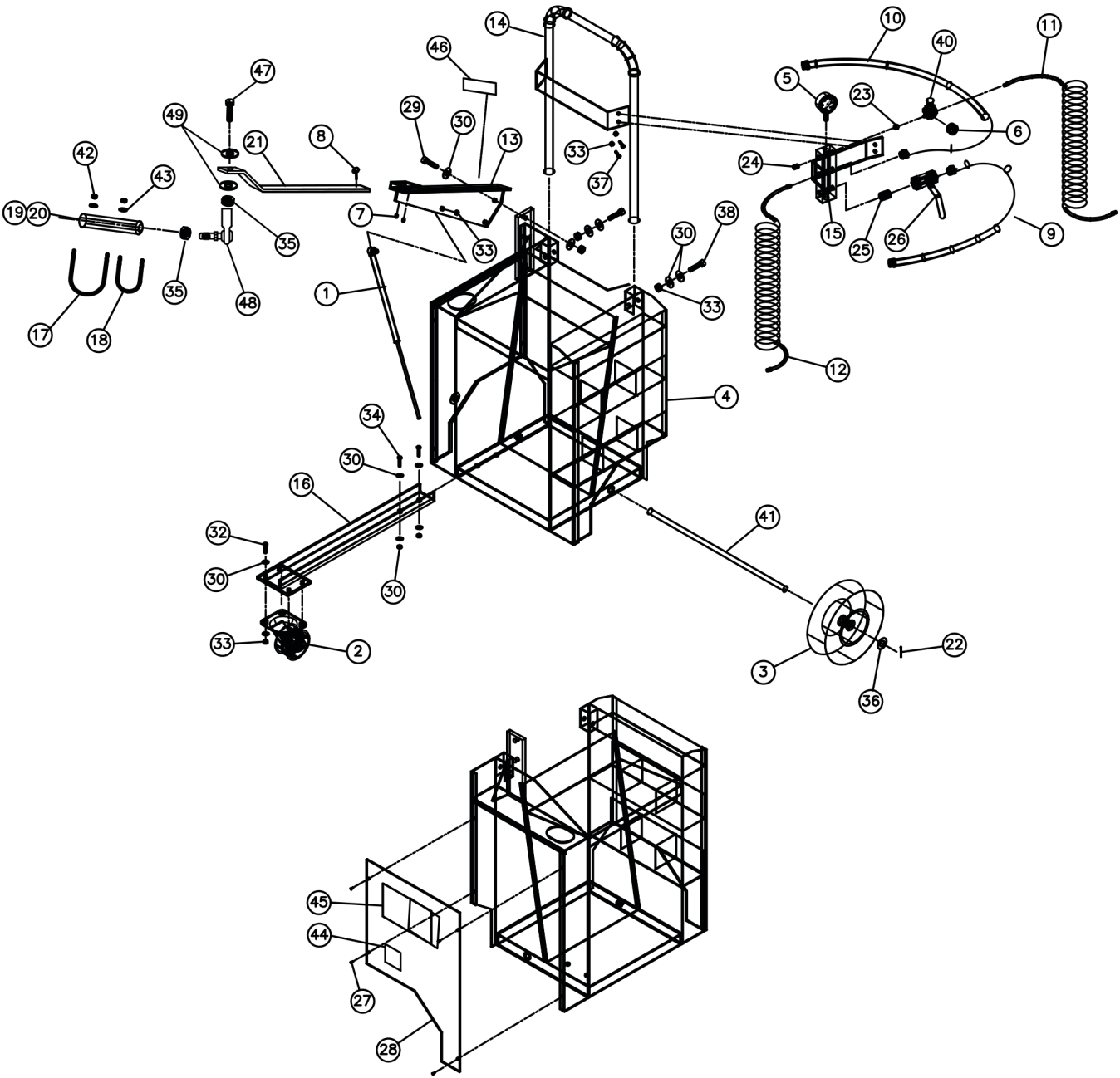


TIRE SERVICE INTERNATIONAL

1-800-223-4540

WS-05

9-19-16



WS-05 PARTS LIST			
9/20/2016			
ITEM #	PART #	QTY	DESCRIPTION
1	11899	1	GAS SHOCK
2	11929	1	CASTOR WHEEL, FRONT
3	11628	2	WHEEL, MAIN ASSEMBLY
4	6471	1	MAIN ASSEMBLY WELDMENT
5	01.106	1	AIR PRESSURE GAUGE, 1/4 NPT 200 PSI
6	7.023A-200	1	AIR PRESSURE GAUGE, 1/8 NPT 160 PSI
7	1308	2	SET SCREWS TO SECURE SLIDER ARM
8	15222	1	SET SCREW TO MOUNT TO SLIDER ARM
9	12839	1	AIR HOSE, 1/2 I.D. W/1/2 NPT FITTINGS 33" LONG
10	12840	1	AIR HOSE, 1/2 I.D. W/1/2 NPT FITTINGS 80" LONG
11	12841	1	AIR LINE, 1/4 NPT 15' LONG (BLUE)
12	12842	1	AIR LINE, 1/4 NPT 15' LONG (RED)
13	6467	1	ADJUSTABLE ARM, WELDMENT
14	6469	1	HAND RAIL, WELDMENT
15	6470	1	AIR LINE BLOCK, WELDMENT
16	6472	1	WHEEL ARM, WELDMENT
17	11931	1	U-BOLT, LARGE
18	11932	1	U-BOLT, SMALL
19	11954	1	NYLON SLEEVE, 1" DIAMETER
20	11955	1	MACHINED HANDLE
21	12813	1	ADJUSTABLE ARM BAR
22	1436	2	COTTER PIN TO SECURE WHEELS
23	778	1	1/4 NIPPLE
24	128	1	1/4 PLUG
25	149	1	1/2 NIPPLE
26	6851602	1	BALL VALVE 1/2"
27	1055	4	SELF TAPPING SCREWS, 10-24 X 1/2"
28	12805	1	SIDE COVER
29	447	1	HHCS 3/8-16 X 1-1/4 PLATED
30	1318	12	WASHER, 5/16 WROUGHT
31	123.055	3	NUT, HEX 3/8-16 LOCK
32	3405	4	HHCS 5/16-18 X 1
33	566	7	NUT, HEX 5/16-18 NYLOCK
34	1306	2	HHCS 3/8-16 X 1 GR5
35	3671	1	NUT, HEX JAM STD 5/8-18 UNF
36	987	2	WASHER, 5/8 WROUGHT
37	1737	2	HHCS 5/16-18 X 3/4 GR5
38	3406	2	BOLT 5/16-18 X 1-3/4
39	12845	2	PLASTIC HARDWARE TRAYS (NOT SHOWN)
40	15.190	1	AIR REGULATOR 1/4 NPT
41	12819	1	AXLE ROD
42	226	2	NUT, HEX 1/4-20 NYLOCK
43	445	2	WASHER, 1/4" FLAT WROUGHT
44	12846	1	USA DECAL

45	12847	1	WS-05 MAIN DECAL
46	12848	1	WARNING DECAL
47	12859	1	HCS 5/8-18 X 1 1/2 BOLT
48	12860	1	5/8 RH FEMALE ECO ROD END W/STUD
49	12861	2	BRASS 5/8 FLAT WASHER