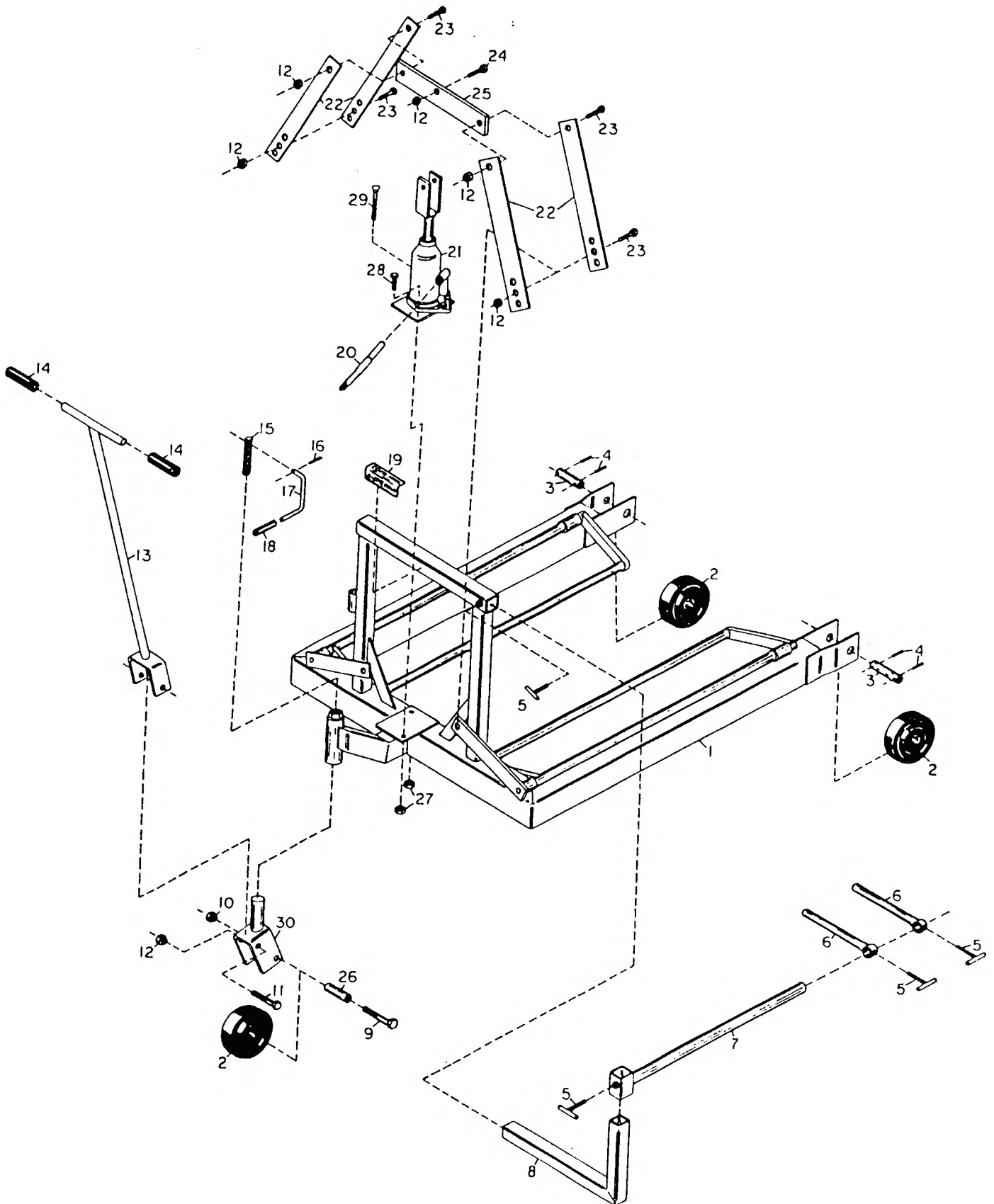


S-25





TIRE SERVICE
INTERNATIONAL

REF NO.	PART NO.	Description
1	5069	Main Frame.
2	217	Wheel.
3	926	Axle Front Wheel.
4	202	Pin Spring.
5	5148	Wing Screw.
6	5062	Adjustable Wheel Guide.
7	5063	Tire Holder.
8	5061	Support Arm.
9	443	Cap Screw 1/2-13 x 3-1/2 Hex
10	223	Lock Nut 1/2-13.
11	378	Cap Crew 3/8-16 x 4.
12	212	Lock Nut 3/8-16.
13	5065	Handle Weldment.
14	231	Grip Handle 1"
15	430	Screw 3/4 Dia. x 5" Lg.
16	312	Cotter Pin 1/8 x 1/2.
17	431	Crank.
18	842	Grip, Hand 3/8.
19	1674	Machine Decal.
20	1696	Handle Jack.
21	5064	Hydraulic Jack Assembly.
22	434	Strap Lift.
23	447	Cap Screw 3/8-16 x 1-1/4 Hex
24	446	Cap Screw 3/8-16 x 1-3/4 Hex
25	436	Pivot Bar.
26	412	Axle, Rear.
27	226	1/4 Locknut.
28	444	Cap Screw 1/4-20 x 1 Hex.
29	213	Carriage Bolt 1/4 x 3 1/2.
30	5066	Fork Assembly Rear Wheel.

When ordering parts always give the following information:

- (1) Part Number**
- (2) Description**
- (3) Serial Number of Your Machine**