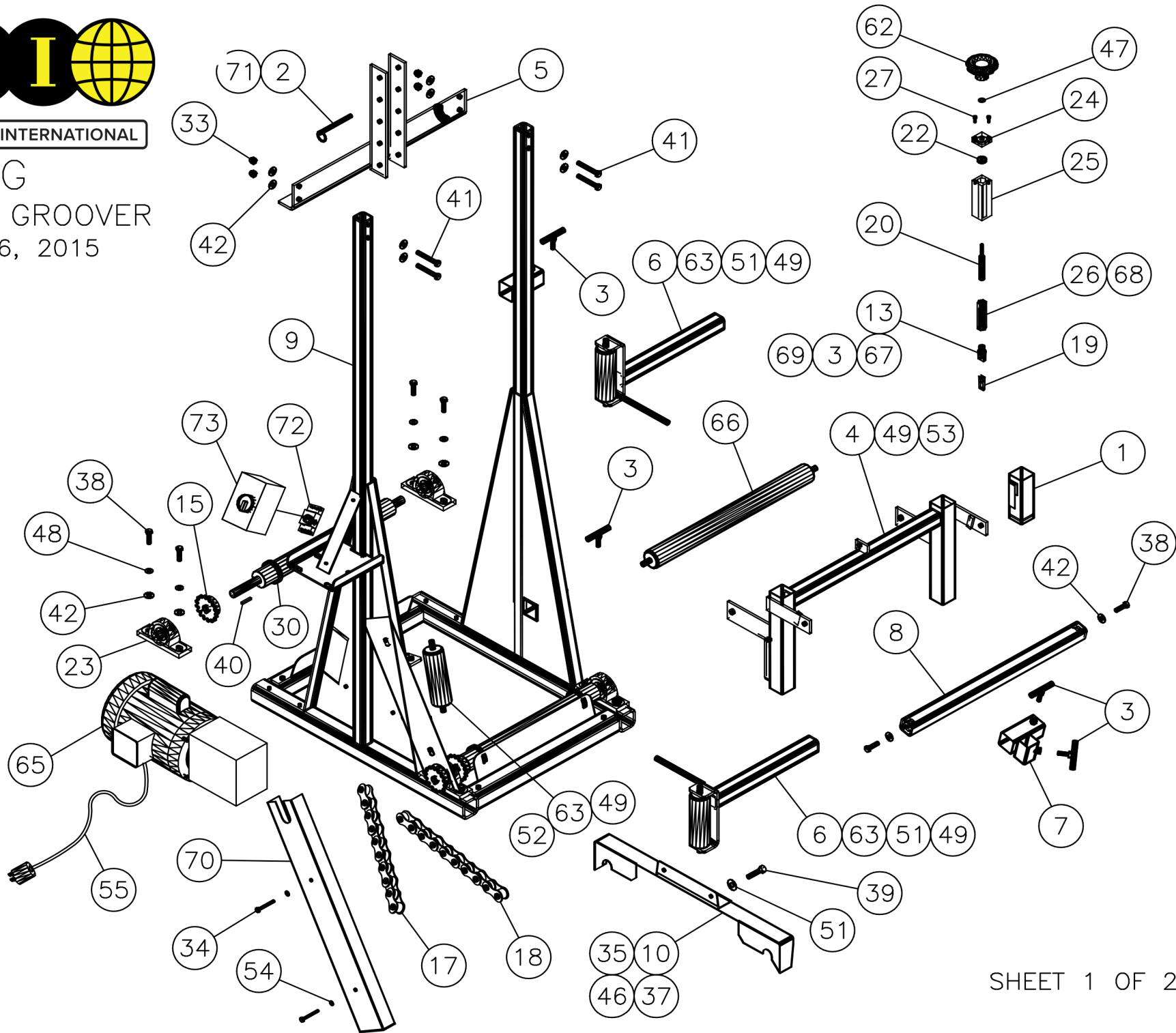




TIRE SERVICE INTERNATIONAL

SG

UPRIGHT GROOVER
JUNE 26, 2015



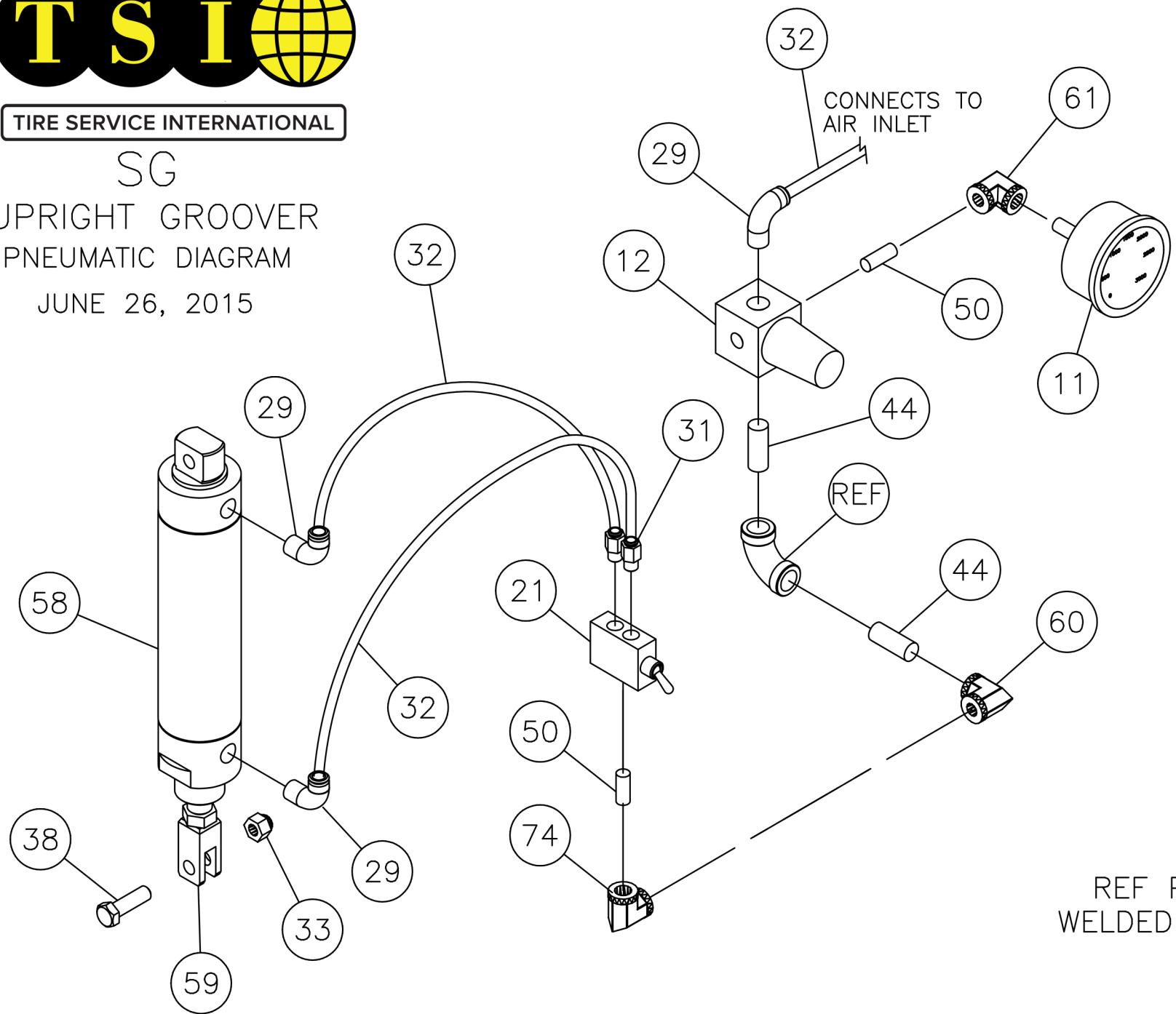


TIRE SERVICE INTERNATIONAL

SG

UPRIGHT GROOVER
PNEUMATIC DIAGRAM

JUNE 26, 2015



REF PART IS
WELDED TO FRAME



SG - UPRIGHT GROOVER

REPAIR PARTS BOM

Page 1 of 2

PN: 0000

BEGINNING SERIAL NO.0000

6/25/2015

TIRE SERVICE INTERNATIONAL

PARTS LIST

ITEM	PART NO.	DESCRIPTION	QTY
1	7.870	TOOL BOX	1
2	10.953	PIN	1
3	19.810	LOCKING SCREW	3
4	20.818	CARRIAGE	2
5	42.848	CYLINDER MOUNT	1
6	52.878	SLIDING ROLLER BRACKET	2
7	53.878	GROOVER BLADE BRACKET	1
8	65.868	SUPPORT TUBE	1
9	91.834	FRAME	1
10	6266	GUARD, CHAIN	1
11	7.023	GAUGE 1/4 NPT (BACK) 0-160 PSI	1
12	15.190	REGULATOR	1
13	23.264	BLADE HEAD	1
14	45.062	CONNECTING LINK #40 CHAIN .50 PITCH	2
15	46.228	SPROCKET 16 TOOTH #40	4
16	48.062	OFFSET LINK #40 CHAIN .50 PITCH	2
17	54.066	CHAIN #40 SINGLE STEEL .50 PITCH 49" LG	AR
18	54.066	CHAIN #40 SINGLE STEEL .50 PITCH 50" LG	AR
19	12667	GROOVE BLADE	1
20	66.242	BOLT 1/2-10 ACME, SPECIAL	1
21	92.190	VALVE, AIR TOGGLE 3-WAY	1
22	99.107	THRUST BEARING 1/4 X .84 DIA X 5/16	1
23	101.107	BEARING, PILLOW 3/4 DIA SHAFT	4
24	131.098	HOUSING COVER	1
25	168.190	HOUSING BODY	1
26	172.190	LINK BODY GROOVER TOOL	1
27	260.028	SHCS #10-24 X 5/8	2
28	340.096	MALE CONNECTOR 1/4 NPT PUSH IN	1
29	342.096	MALE ELBOW 1/4 NPT X 90 PUSH IN	3
30	347.149	GROOVER ROD	2

PARTS LIST

ITEM	PART NO.	DESCRIPTION	QTY
31	365.096	MALE CONNECTOR 1/4 NYLON X 1/8 NPT	2
32	460.268	TUBING 1/4 OD X .04 WALL BLK NYLON	AR
33	212N	NUT 3/8-16 NYLOK	5
34	225	HHCS 1/4-20 X 2	2
35	226	NUT 1/4 NYLOK	2
36	235	BUSHING, REDUCER 1/4 NPT X 1/8 NPT	1
37	445	WASHER 1/4 WROUGHT	2
38	447	CAPSCREW 3/8-16 X 1-1/4	11
39	565	HHCS 5/16-18 X 1	4
40	572	KEY 3/16 X 3/16 X 1	4
41	620	HHCS 3/8-16 X 2-1/2	4
42	700	WASHER 3/8 WROUGHT	10
43	701	CONDUIT LOCKNUT 1/2"	1
44	778	NIPPLE, CLOSE 1/4 NPT	2
45	869	NIPPLE 1/8 NPT	1
46	903	HHCS 1/4-20 X 3/4	2
47	1318	WASHER 5/16 WROUGHT	1
48	1354	WASHER 3/8 SPLIT LOCK	8
49	1436	COTTER PIN 1/8 X 1	12
50	1522	NIPPLE 1/8 NPT BOTH ENDS 2"	2
51	1630	WASHER, SPRING LOCK 5/16	4
52	3113	SHAFT, ROLLER	5
53	3501	GREASE ZERK 1/8 NPT STRAIGHT	2
54	4134	WASHER, 1/4 SPRING LOCK	2
55	4243-15	CORD 14-3	1
56	4569	HHWH #10-24 X 3/4	2
57	4570	NUT #10-24 NYLOK	3
58	4756-1	CYLINDER	1
59	4756-2	CLEVIS	1
60	4794	ELBOW, REDUCER 1/4 NPT X 1/8 NPT X 90	2

