

6346 COMPLETE PAKPRESS® KIT



PRODUCT FEATURES

The **6346 Complete PakPress®** Kit is a must if you're in the truck maintenance industry. Most impressive, the PakPress® lets you remove and install studs without removing the hub. A two-hour job is done in as little as twenty minutes, with no risk of damaging seals or bearings. This kit includes the rolling storage cart.

- Eliminates the risk of flying fragments coming off during installation and removal of studs. Reducing potential injury to technicians.
- No need to remove hubs and brake shoes, saving on vehicle downtime.
- Reduce wheel seal replacement costs by not having to remove the tub assembly.
- Reduce risk of damage to hub, seals and studs.

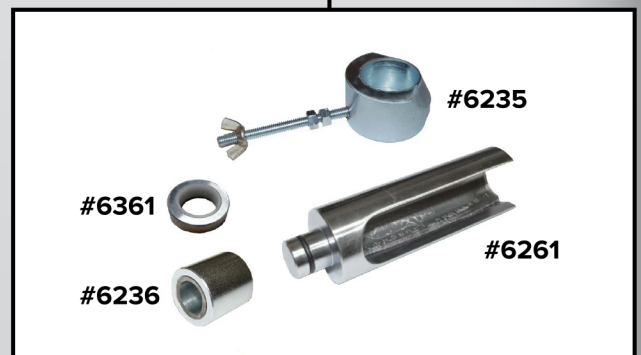


1-PPK



PakPress® Cart #6247

OPTIONAL ACCESSORIES



SHIPPING SPECIFICATIONS:

24" L x 24" W x 17" H
99 lbs shipping weight

Rev. 04.09.2019



Made in the USA at our plant in Monticello, MN
3451 South 40th Street, Phoenix, Arizona | www.buytsi.com
Ph: 800.223.4540 | Fax: 602.437.5025 | Email: sales@buytsi.com