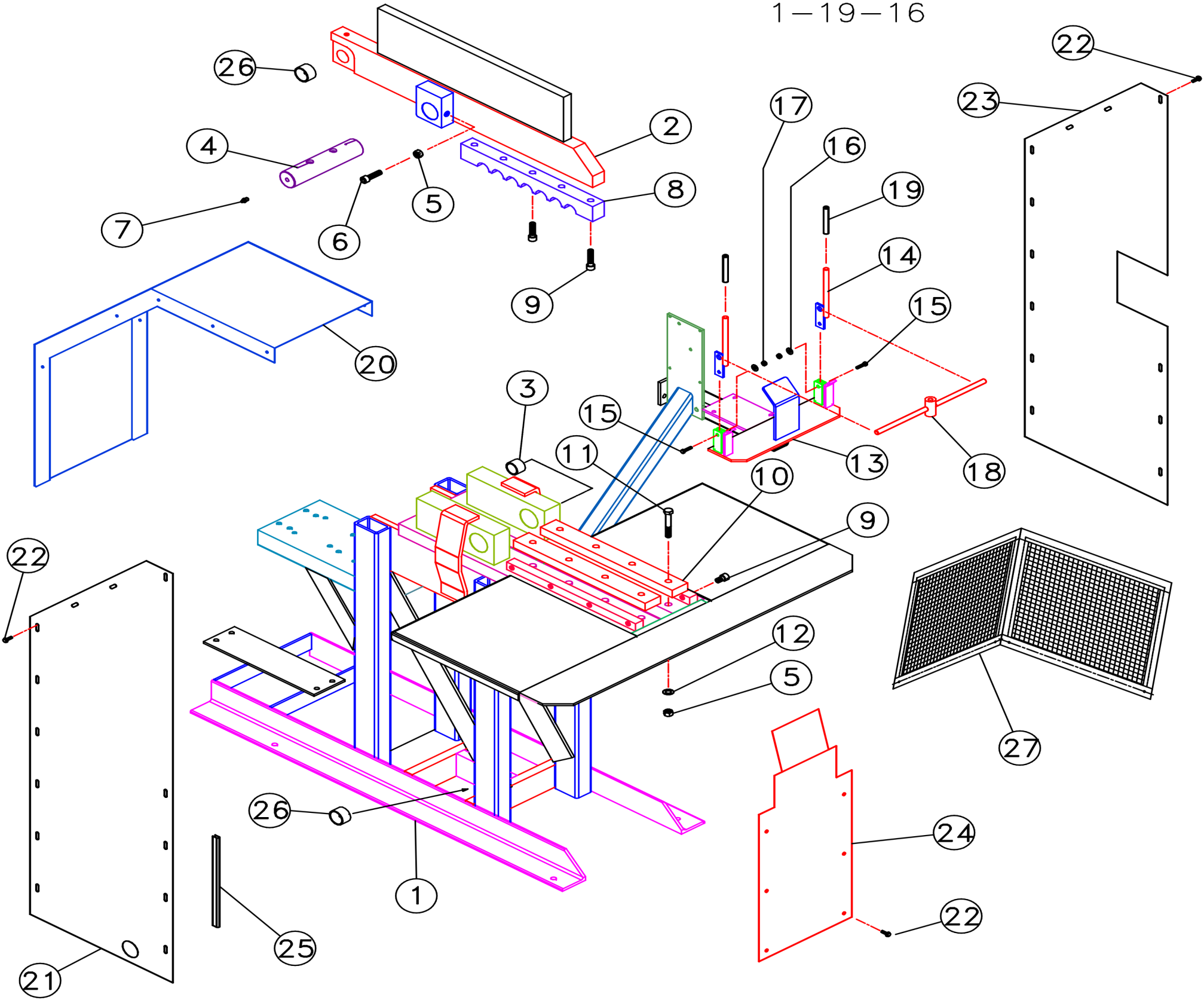




TIRE SERVICE INTERNATIONAL

TC-50 ELEC (CE)
TIRE CUTTER
MAIN ASSEMBLY
REPAIR PARTS LIST

1-19-16





TIRE SERVICE INTERNATIONAL

TC-50 ELEC (CE)
TIRE CUTTER
MAIN ASSEMBLY
REPAIR PARTS LIST

PARTS LIST

1-19-16

ITEM	PART NO.	DESCRIPTION	QTY
1	5604	FRAME WELD ASSY	1
2	5603	BEAM - MOVEABLE WELD ASSY	1
3	3196S	BUSHING, SHAFT	2
4	3367	SHAFT	1
5	630	NUT, HEX LOCK 5/8-11	8
6	4860	CAP SCREW, AL SOC HD 5/8-11 x 2	2
7	3995	GREASE ZERK	2
8	3364	SHEAR BAR (MALE)	1
9	3407	CAP SCREW, AL SOC HD 1/2-13 x 2	13
10	3363	SHEAR BAR (FEMALE)	2
11	443	CAP SCREW, HX HD 1/2-13 x 3-1/4	8
12	12226	WASHER, FLAT 1/2 x 1-3/8 O.D.	8
13	5605	EXTENSION ARM WELD ASSY	1
14	5534	HANDLE WELD	2
15	444	CAP SCREW, HX HD 1/4-20 x 1	2
16	445	WASHER, FLAT 1/4	4
17	226	NUT, HEX LOCK 1/4-20	2
18	5535	PIVOT WELD	1
19	230	HANDLE GRIP	2
20	3372	PANEL, TOP	1
21	3373	PANEL, LEFT SIDE	1
22	3410	SCREW, SELF TAP 1/4-14 x 3/4	32
23	3369	PANEL, RIGHT SIDE	1
24	3371	PANEL, FRONT	1
25	3468	TRIM STRIP	4
26	3551	BUSHING, STEEL	2
27	5848	GUARD	1

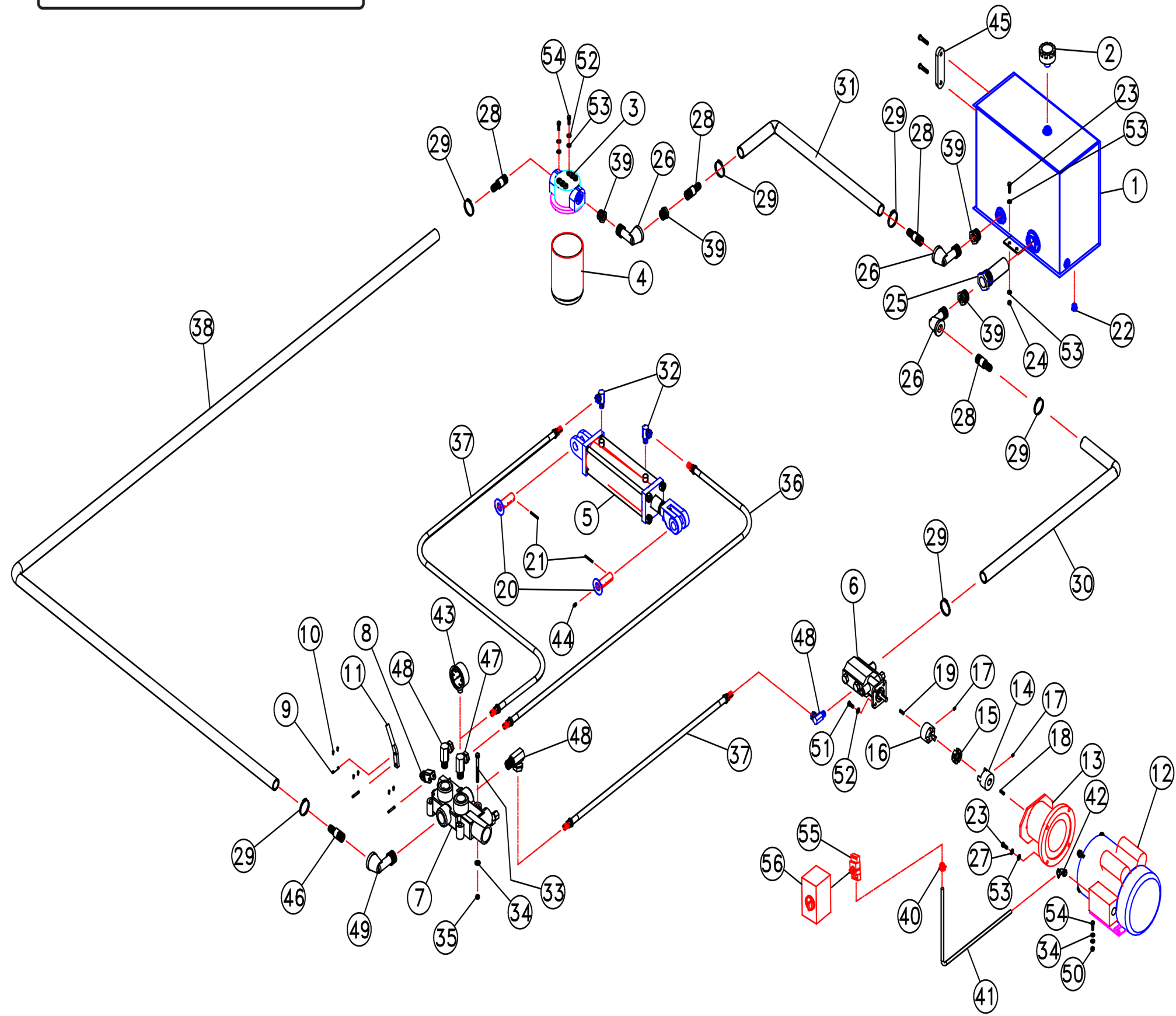


TC-50 (CE) ELECTRIC TIRE CUTTER

HYDRAULIC REPAIR PARTS LIST

1-19-16

TIRE SERVICE INTERNATIONAL





TIRE SERVICE INTERNATIONAL

TC-50 (CE) ELEC TIRE CUTTER HYDRAULIC REPAIR PARTS LIST 1-19-16

PARTS LIST

ITEM	PART NO.	DESCRIPTION	QTY
1	5607	OIL RESERVOIR WELDMENT ASSY	1
2	3474	FILLER CAP 3/4NPT	1
3	3154	FILTER HEAD, 35 GPM	1
4	3154-1	FILTER (SPIN ON) CANISTER	1
5	3469-1	CYLINDER, HYD. 5 X 12	1
	3469-2	CYLINDER REPAIR KIT	1
6	3480	PUMP, 2 STAGE, 13 GPM	1
7	3020-1	VALVE, HYDRAULIC	1
8	3020-2	LINK, VALVE HANDLE	1
9	3020-3	PIN, CLEVIS	3
10	3020-4	COTTER PIN	6
11	3020-5	HANDLE, VALVE	1
12	3477-3-1-50	MOTOR, ELECTRIC 3 HP 50HZ	1
13	3479	PUMP ADAPTER, ELECTRIC	1
14	3103	COUPLING, FLEX JAW 1"	1
15	3017	INSERT, RUBBER	1
16	3014	COUPLING, FLEX JAW 1/2"	1
17	1360	SET SCREW, 5/16-18 X 1/4	2
18	572	KEY 3/16" SQ.	1
19	1492	KEY 1/4" SQ.	1
20	5656	PIN, CYLINDER	2
21	3470	SPRING PIN 3/16 X 2	2
22	126	DRAIN PLUG, 3/4 NPT	1
23	447	CAP SCREW, HH 3/8-16 X 1-1/4	8
24	212	NUT, HEX LOCK 3/8-16	4
25	3622	SUCTION SCREEN	1
26	1566	ELBOW, STREET 90° 1" NPT	3
27	1354	WASHER, SPRING LOCK 3/8	1
28	1503	CONN. 3/4NPT X 1" I.D. HOSE	4

PARTS LIST

ITEM	PART NO.	DESCRIPTION	QTY
29	3088	HOSE CLAMP	6
30	3475	HOSE, HYDRAULIC 1" I.D. X 24" LG.	1
31	3473-18	HOSE, HYDRAULIC RETURN 18" LONG	2
32	3471	ELBOW ADAPTER 90° DEG	2
33	3085	CAP SCREW, HH 1/4-20 X 1-3/4	3
34	445	WASHER, FLAT 1/4	22
35	226	NUT, HEX LOCK 1/4-20	3
36	3000	HOSE, HYD. 1/2" I.D. X 60" LG.	2
37	3472	HOSE, HYD. 1/2" I.D. X 40" LG.	1
38	3473-34	HOSE, HYDRAULIC RETURN 34" LG. 3/4 I.D.	1
39	3138	REDUCER BUSHING, 1-1/4 X 1	4
40	3927	CONN. ELEC. STRAIGHT	1
41	3482-58/CE	CABLE, ELEC, 3-COND, 12 AWG	1
42	806	CONN. ELEC. 90°	1
43	3019	PRESSURE GAUGE, 0-4000 PSI	1
44	210	GREASE ZERK	1
45	10171	SIGHT GAUGE W/THRMOMETER	1
46	3403	BARBED HOSE FITTING	1
47	3089-1	SWIVEL ADAPTER 90 DEG 1/2 NPT (M) X 3/8 NPT (F) SWV, WITH PRESSURE GAUGE	1
48	3089	ELBOW ADAPTER 90 DEG.	3
49	3086	ELBOW, STREET 3/4 NPT X 90 DEG	1
50	566	HEX NUT, NYLOCK 5/16-18	8
51	1737	HEX HEAD CAP SCREW 5/16-18 X 3/4 LG	4
52	1630	WASHER, 5/16 SPRING LOCK	10
53	1318	WASHER, 5/16 WROUGHT	10
54	565	CAP SCREW, 5/16-18 X 1" LONG	6
55	10678-230-2	SWITCH BOX	1
56	10678-230-2	SWITCH BOX ENCLOSURE	1