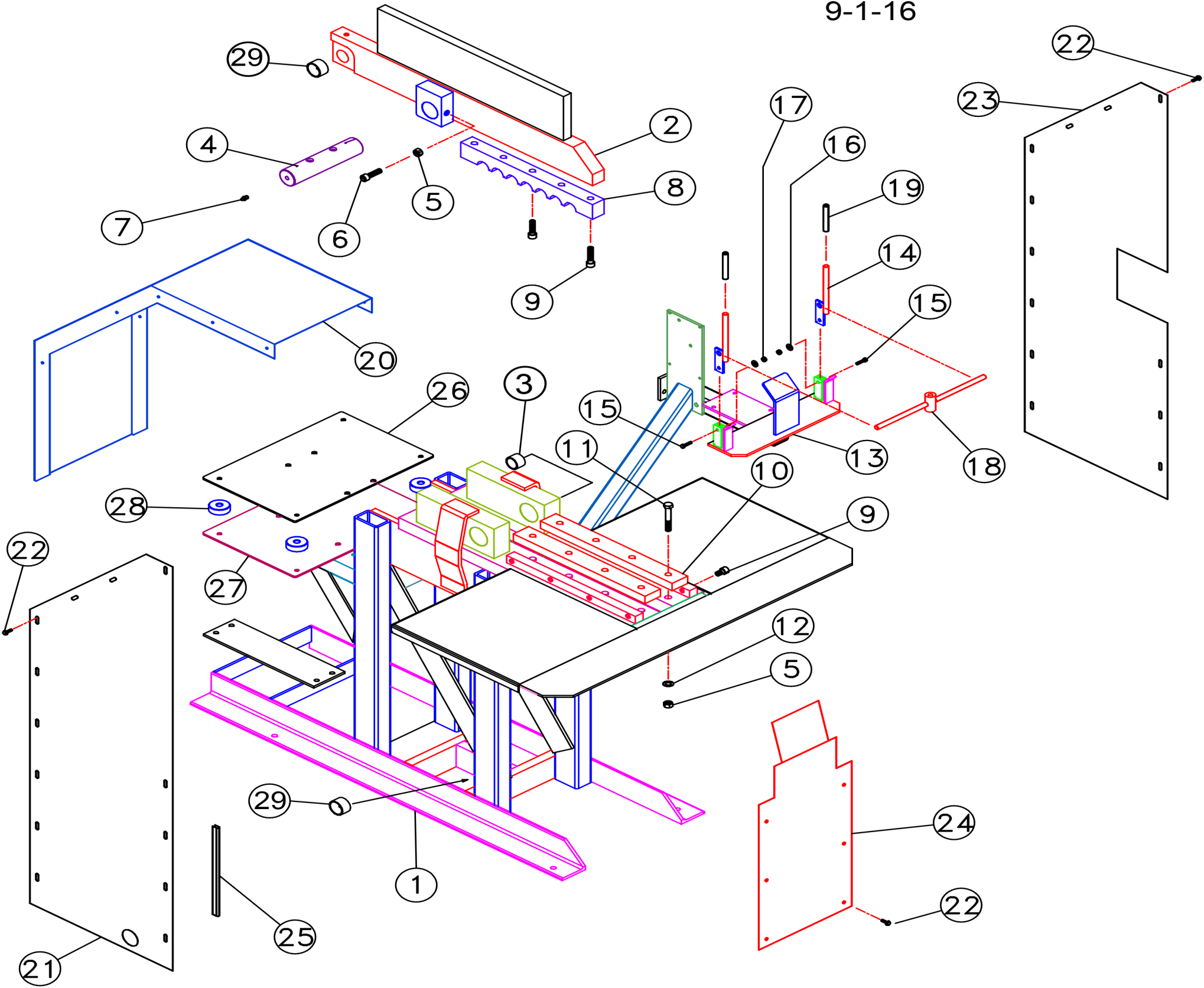




TIRE SERVICE INTERNATIONAL

TC-50 GAS TIRE CUTTER MAIN ASSEMBLY REPAIR PARTS LIST

9-1-16





TIRE SERVICE INTERNATIONAL

TC-50 GAS
TIRE CUTTER
MAIN ASSEMBLY
REPAIR PARTS LIST

PARTS LIST

9-1-16

ITEM	PART NO.	DESCRIPTION	QTY
1	5604	FRAME WELD ASSY	1
2	5603	BEAM - MOVEABLE WELD ASSY	1
3	3196S	BUSHING, SHAFT	2
4	3367	SHAFT	1
5	630	NUT, HEX LOCK 5/8-11	8
6	4860	CAP SCREW, AL SOC HD 5/8-11 x 2	2
7	3995	GREASE ZERK	2
8	3364	SHEAR BAR (MALE)	1
9	3407	CAP SCREW, AL SOC HD 1/2-13 X 2	13
10	3363	SHEAR BAR (FEMALE)	2
11	271	CAP SCREW, HX HD 1/2-13 X 3-1/4	8
12	12226	WASHER, FLAT 1/2 X 1-3/8 O.D.	8
13	5605	EXTENSION ARM WELD ASSY	1
14	5534	HANDLE WELD	2
15	444	CAP SCREW, HX HD 1/4-20 X 1	2
16	445	WASHER, FLAT 1/4	4
17	226	NUT, HEX LOCK 1/4-20	2
18	5535	PIVOT WELD	1
19	230	HANDLE GRIP	2
20	3372	PANEL, TOP	1
21	3373	PANEL, LEFT SIDE	1
22	3410	SCREW, SELF TAP 1/4-14 X 3/4	32
23	3369	PANEL, RIGHT SIDE	1
24	3371	PANEL, FRONT	1
25	3468	TRIM STRIP	4
26	10600	MOTOR MOUNT PLATE - TOP	1
27	10599	MOTOR MOUNT PLATE - BOTTOM	1
28	3160	ISOLATOR, VIBRATION 2" DIA., RUBBER	4
29	3551	BUSHING, STEEL	2



TIRE SERVICE INTERNATIONAL

TC-50 GAS TIRE CUTTER HYDRAULIC REPAIR PARTS LIST

1-28-16

