

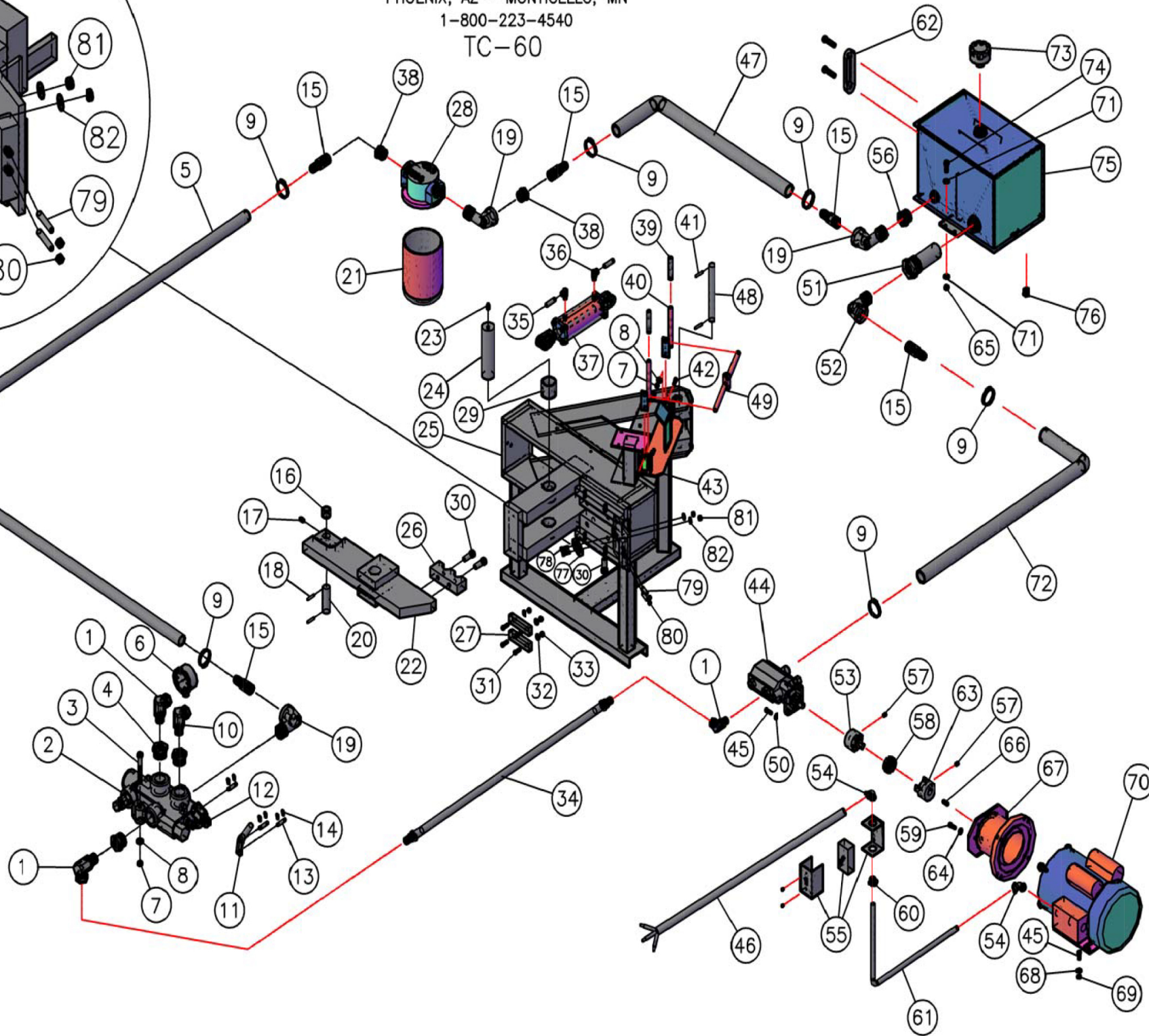
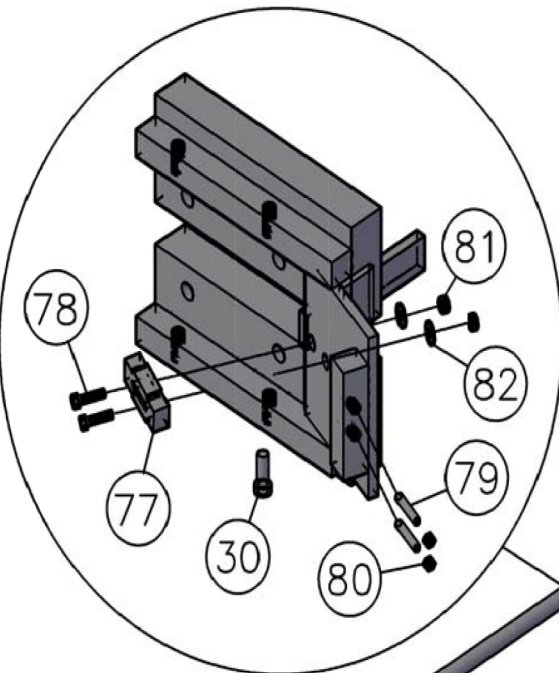


TIRE SERVICE INTERNATIONAL

PHOENIX, AZ * MONTICELLO, MN

1-800-223-4540

TC-60



TC-60 REPLACEMENT PARTS

10/26/2017

ITEM NO.	PART NO.	DESCRIPTION	QTY.	
1	3089	ELBOW ADAPTER 90°	3	
2	3020-1	HYDRAULIC VALVE	1	
3	10084	CAP SCREW 5/16-18 X 2	3	
4	125	BUSHING, RED 3/4 NPT X 1/2 NPT	3	
5	3473-15	HOSE RETURN 1 ID 100R4	1	
6	3019	PRESSURE GAUGE	1	
7	226	NUT, HEX LOCK 1/4-20	2	
8	445	WASHER, FLAT 1/4	3	
9	3490	HOSE CLAMP	6	
10	3089-1	SWIVEL ADAPTER 90° 1/2 NPT (M) X 3/8 NPT (F) SWV. WITH PRESSURE GAUGE OPENING	1	
11	3020-5	HANDLE, VALVE	1	
12	3020-2	LINK, VALVE HANDLE	1	
13	3020-3	PIN, CLEVIS	3	
14	3020-4	COTTER PIN	4	
15	3403	CONN, 3/4 NPT X 1" I.D. HOSE	5	
16	4417	STEEL BUSHING	1	
17	210	1/4 GREASE ZERK	2	
18	202	SPRING PIN 3/16 DIA	2	
19	3086	ELBOW, STREET 90° 3/4 NPT	3	
20	4049	PIN. ARM TO CYLINDER 1/4 DIA X 4 LONG	1	
21	3154-1	FILTER CANISTER	1	
22	5593	MOVEABLE ARM WELD	1	
23	3501	GREASE ZERK 1/8 NPT STRAIGHT	2	
24	4032	PIN 2 DIA X 8	1	
25	5594	MAIN FRAME WELDMENT	1	
26	3949	MALE SHEAR BAR	1	
27	3950	FEMALE CUTTER BAR	2	
28	3154	FILTER HOUSING	1	
29	3196	BUSHING 2 DIA ID	2	
30	3407	ALLEN SOCKET HEAD 1/2-13X2	6	
31	443	CAP SCREW 1/2-13	4	
32	12226	WASHER 1/2	4	
33	223	NUT, SELF LOCK 1/2-13	4	
34	3000	HOSE, HYDRAULIC 1/2" I.D. X 60" LONG	1	
35	3472	1/2 NPT HOSE (M) RIGID BOTH ENDS 40" LONG	2	
36	3915	ELBOW 90*	1	
37	4048	CYLINDER HYDRAULIC 4X8	1	
38	714	REDUCER BUSHING, 3/4 X 3/8	2	
39	230	HANDLE GRIP	2	
40	5534	HANDLE WELD	2	
41	581	PIN. SPRING 1/4 DIA X 1 1/2 LONG	2	
42	444	CAP SCREW, HEX HEAD 1/4-20 X 1	2	
43	5605	EXTENSION ARM WELD ASY	1	

44	3480	PUMP, 2 STAGE, 13 GPM (SERIAL #	1	
45	565	CAP SCREW 5/16-18 X 1 LONG PLATED	7	
46	704	CORD ELECTRIC #12-3 X 8FT	1	
47	3473-20	HOSE SUCTION 1 ID 20" LONG 100R4	1	
48	4050	PIN. CYCLINDER 1 1/4 DIA X 9 LONG C1018	1	
49	5535	PIVOT WELD	1	
50	1630	WASHER, SPRING LOCK 5/16	2	
51	3622	SUCTION STRAINER	1	
52	3137	STREET ELBOW 1 1/4 NPT X 90°	1	
53	3014	FLEX JAW COUPLING 1/2	1	
54	806	3/4 X 90° SQUEEZE CONNECTOR	2	
55	3483	SWITCH BOX, COVER AND SWITCH	1	
56	948	HEX REDUCER BUSHING 1 1/2	1	
57	1360	SET SCREW 5/16-18 X 1/4	4	
58	3017	RUBBER INSERT	1	
59	1306	CAP SCREW 3/8-16 X 1	4	
60	3927	CONN, ELEC, STRAIGHT	1	
61	3482	CABLE, ELEC, 3 COND 12 AWG	1	
62	10171	SIGHT GAUGE W/RESERVOIR	1	
63	3103	FLEX JAW COUPLING 5/8	1	
64	1354	LOCK WASHER, SPRING 3/8	4	
65	212	NUT, SELF LOCK 3/8-16	4	
66	572	KEY 3/16 SQ X 1	1	
67	3479	PUMP HOUSING	1	
68	1318	WASHER, FLAT 5/16	6	
69	566	NUT, SELF LOCK 5/16-18	3	
70	3477	MOTOR ELECTRIC 3 HP 3460 RPM (SERIAL #	1	
71	700	WASHER 3/8	8	
72	3475	HOSE, HYDRAULIC 1" I.D. X 26" LONG	1	
73	3474	FILLER CAP	1	
74	447	CAP SCREW, HH 3/8-16 X 1 1/4	4	
75	3950	RESERVIOR	1	
76	717	DRAIN PLUG	1	
77	11896	BAR, SHEAR SPECIAL	1	
78	12166	BHCS 1/2-13 X 2 LG	2	
79	12216	SHSS 3/8-16 X 2 CUP PT	2	
80	398	NUT HEX 3/8-16	2	
81	223	1/2-13 LOCK NUT	2	
82	224	1/2 WASHER	2	