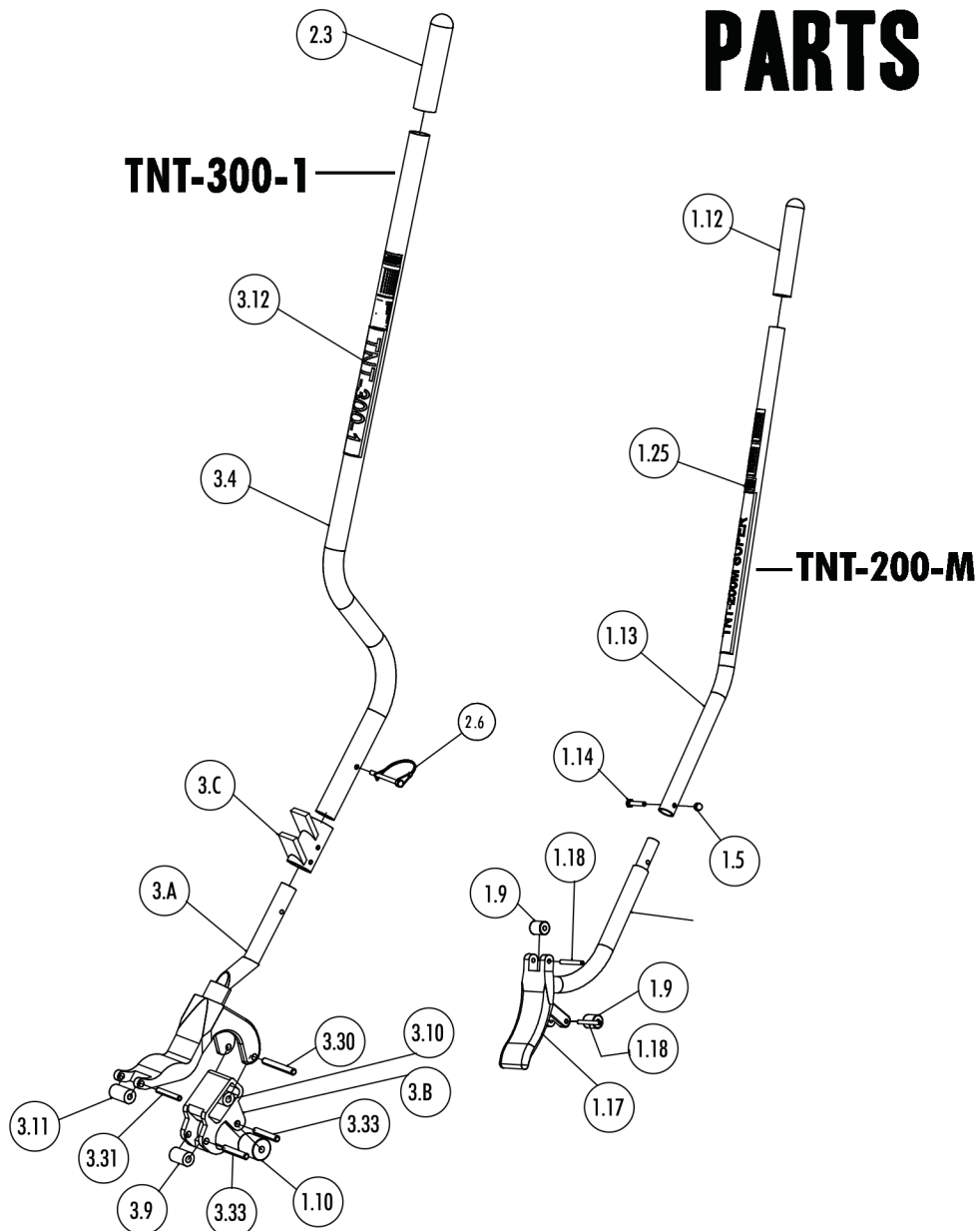


# TNT TOOLS PARTS



## PARTS LIST

ITEM	PART NUMBER	DESCRIPTION
1.5	TNT100-5	ACORN NUT 1/4-20
1.9	TNT100-9	TINE ROLLER
1.10	TNT100-10	MAIN ROLLER, 1.375 X .37 X 1.50
1.12	TNT100-12	RUBBER GRIP FOR MOUNT HANDLE
1.13	TNT100-13	MOUNT HANDLE ONLY
1.14	TNT100-14	HEX CAP SCREW, 1/4-20 X 1-1/4
1.17	TNT100-17	TNT MOUNTING TOOL HEAD ONLY
1.18	TNT100-18	TOP/BOTTOM PIN FOR MOUNT TOOL
1.20	SAFETY DECAL	RED & WHITE SAFETY DECAL
1.22	SPANISH DECAL	SPANISH SAFETY DECAL
1.25	TNT200M DECAL	ID DECAL FOR TNT100-2/200M
2.3	TNT200-3	RUBBER GRIP
2.6	TNT200-6	LOOP LOCK PIN .250 DIAM X 1.750
3.A	TNT300-A	DISMOUNT HEAD ONLY
3.B	TNT300-B	RIM LOCK
3.C	TNT280-2	BEAD CATCHER
3.4	TNT300-4	DISMOUNT HANDLE ONLY
3.9	TNT300-9	ROLLER, .875 X .390 X 1.350
3.10	TNT300-10	ROLLER, .875 X .390 X 2.250
3.11	TNT300-11	ROLLER, .875 X .328 X 1.500
3.12	IDDECAL300-1	ID DECAL FOR TNT300-1
3.30	TNT-300-30	ROLL PIN, 3/8 X 3
3.31	TNT300-31	ROLL PIN 5/16 X 2-1/4
3.33	TNT-300-33	ROLL PIN 3/8 X 2-1/4

Rev. 2/15/2021