



# TWEEL HANDLER

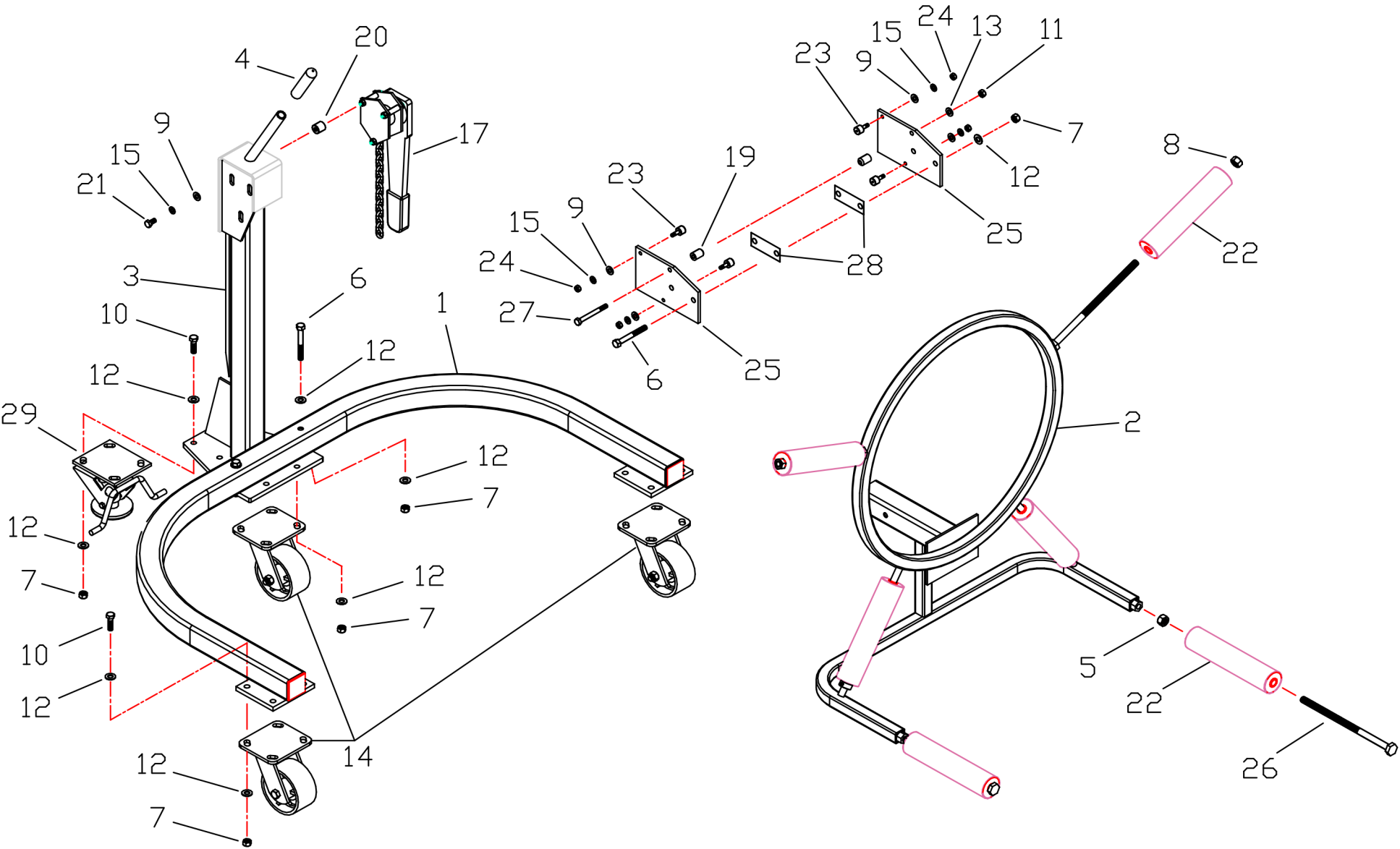
MODEL TW2000

BEGINNING SERIAL NO.1121

4-22-15

TIRE SERVICE INTERNATIONAL

PHOENIX, AZ - MONTICELLO, MN 1-800-223-4540





# TWEEL HANDLER TW2000

PN: 0000  
BEGINNING SERIAL NO.1121  
4/22/2015

TIRE SERVICE INTERNATIONAL

## REPAIR PARTS BOM

PARTS LIST

ITEM	PART NO.	DESCRIPTION	QTY
1	6093	LOWER FRAME ASSY	1
2	6094	TIRE SUPPORT RING ASSY	1
3	6095	SLIDER ASSY - VERTICAL	1
4	15.550	GRIP, HAND	1
5	26.055	NUT 1/2-13 JAM	2
6	211	HHCS 3/8-16 X 3	3
7	212	NUT 3/8-16 HEX SELF LOCK	19
8	223	NUT 1/2-13 HEX SELF LOCK	2
9	445	WASHER 1/4	7
10	447	HHCS 3/8-16 X 1-1/4	16
11	566	NUT 5/16-18 HEX SELF LOCK	1
12	4200	WASHER	38
13	1318	WASHER 5/16	2
14	3755	CASTER, SWIVEL	2
15	1630	WASHER, SPLIT LOCK 5/16	7
16			
17	11662	WINCH, RATCHET 0 JET MM-50	1
18			
19	11679	ROLLER, SLIDER BOX	2
20	11680	SPACER, 8MM X 1.25 THD	3
21	11681	HHCS 8MM X 1.25 THD X 5/8" LG	3
22	11713	GRAVITY ROLLER	4
23	11719	CAM FOLLOWER 5/8 SB 1/4-28	4
24	11719-1	NUT, CAM FOLLOWER 1/4-28	4
25	11730	PLATE, SLIDE	2
26	11738	HHCS 1/2-13 X 9-1/2	2
27	11741	HHCS 5/16-18 X 3	1
28	11742	SHIM - SLIDE PLATE	2
29	11772	FLOOR LOCK	1
30			

PARTS LIST

ITEM	PART NO.	DESCRIPTION	QTY
31			
32			
33			
34			
35			
36			
37			
38			
39			
40			
41			
42			
43			
44			
45			
46			
47			
48			
49			
50			
51			
52			
53			
54			
55			
56			
57			
58			
59			
60			