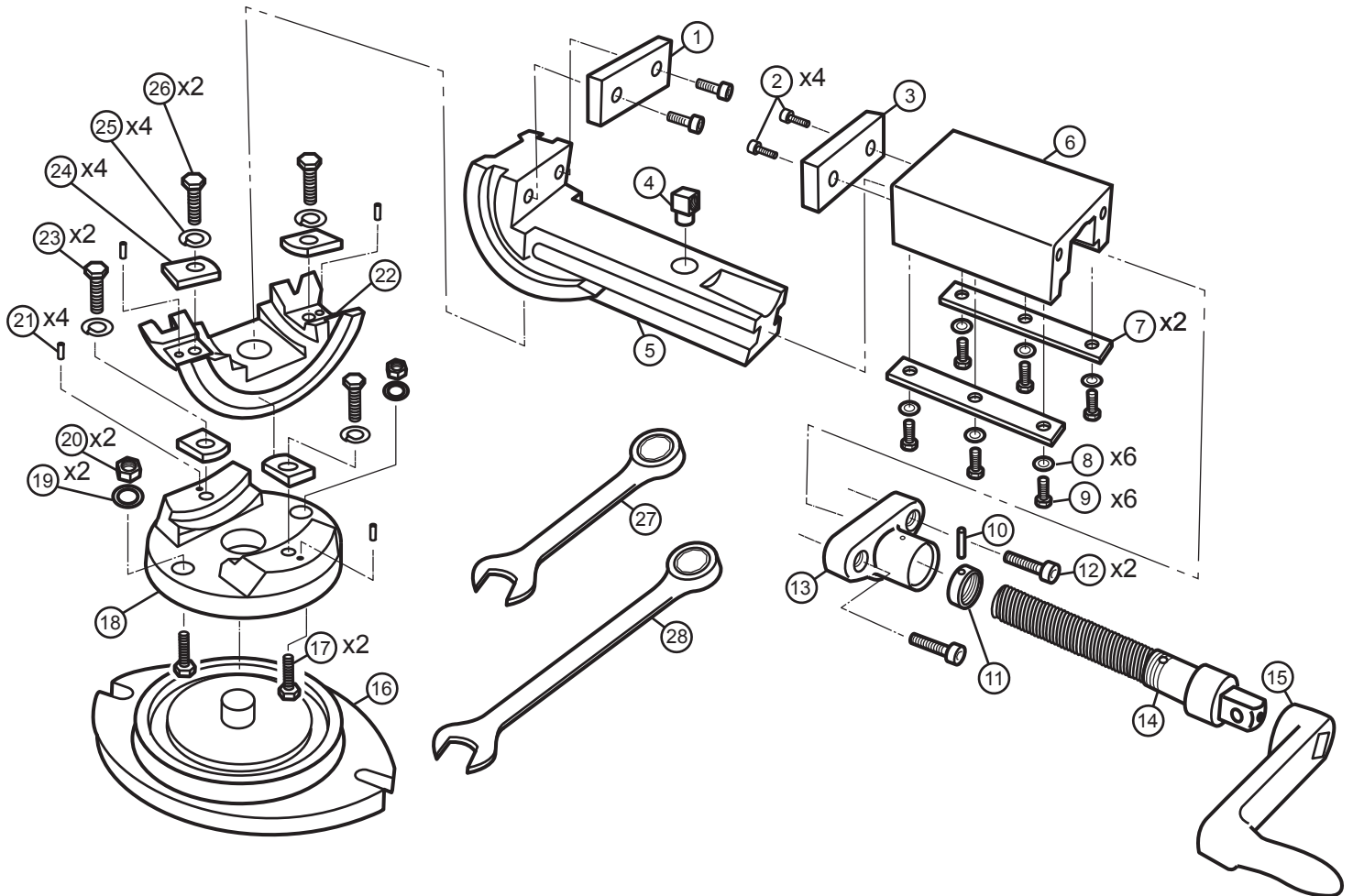




### Super Precision 3-Axis Tilting Machine Vise Parts Diagram

4" Jaw Width, 4" Jaw Opening, 1-9/16" Jaw Depth

Stock #: 11702 Model #: TLT/SP-100



#	Part	Description	Qty
1	11702-01	Fixed Jaw Insert	1
2	11702-02	Socket Head Cap Screw	4
3	11702-03	Movable Jaw Insert	1
4	11702-04	Fixed Nut	1
5	11702-05	Vise Body	1
6	11702-06	Movable Jaw	1
7	11702-07	Slide Plate	2
8	11702-08	Flat Washer	6
9	11702-09	Hex Cap Screw	6
10	11702-10	Roll Pin	1
11	11702-11	Collar	1
12	11702-12	Socket Head Cap Screw	2
13	11702-13	Sleeve	1
14	11702-14	Clamp Screw	1

#	Part	Description	Qty
15	11702-15	Handle	1
16	11702-16	Swivel Base	1
17	11702-17	Hex Cap Screw	2
18	11702-18	Turret	1
19	11702-19	Flat Washer	2
20	11702-20	Hex Nut	2
21	11702-21	Pin	4
22	11702-22	Trunnion	1
23	11702-23	Hex Cap Screw	2
24	11702-24	Curved Washer	4
25	11702-25	Lock Washer	4
26	11702-26	Hex Cap Screw	2
27	11702-27	Combination Wrench	1
28	11702-28	Combination Wrench	1