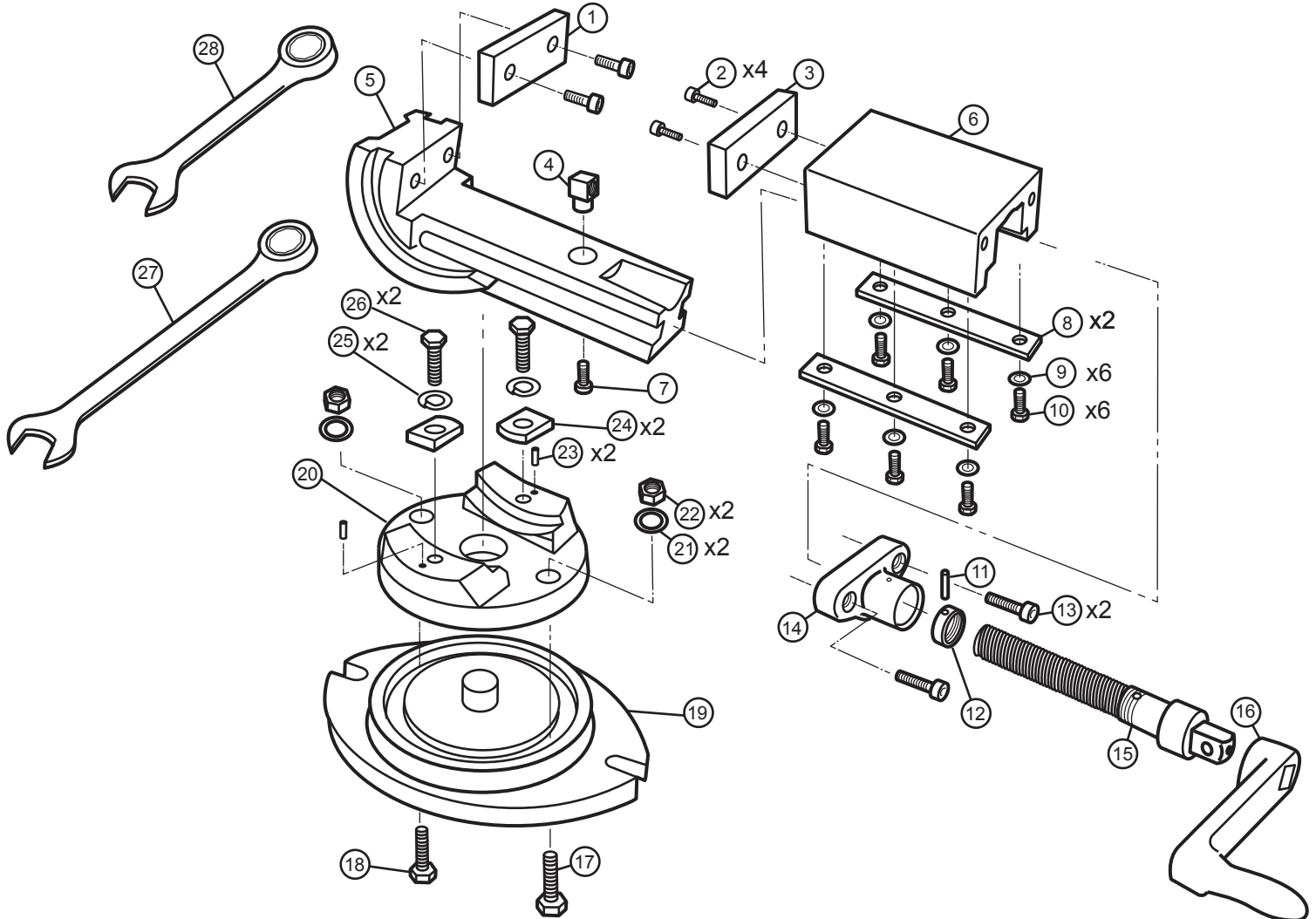




Super Precision 2-Axis Angular Machine Vise Parts Diagram

4" Jaw Width, 4" Jaw Opening, 1-9/16" Jaw Depth

Stock #: 11705 Model #: AMV/SP-100



#	Part	Description	Qty
1	11705-01	Fixed Jaw Insert	1
2	11705-02	Socket Head Cap Screw	4
3	11705-03	Movable Jaw Insert	1
4	11705-04	Fixed Nut	1
5	11705-05	Vise Body	1
6	11705-06	Movable Jaw	1
7	11705-07	Screw	1
8	11705-08	Slide Plate	2
9	11705-09	Flat Washer	6
10	11705-10	Hex Cap Screw	6
11	11705-11	Roll Pin	1
12	11705-12	Collar	1
13	11705-13	Socket Head Cap Screw	2
14	11705-14	Sleeve	1

#	Part	Description	Qty
15	11705-15	Clamp Screw	1
16	11705-16	Handle	1
17	11705-17	Hex Cap Screw	1
18	11705-18	Hex Cap Screw	1
19	11705-19	Swivel Base	1
20	11705-20	Turret	1
21	11705-21	Flat Washer	2
22	11705-22	Hex Nut	2
23	11705-23	Pin	2
24	11705-24	Curved Washer	2
25	11705-25	Lock Washer	2
26	11705-26	Hex Cap Screw	2
27	11705-27	Combination Wrench	1
28	11705-28	Combination Wrench	1