



## Operating Instructions and Parts Manual DSL-770 Double Scissor Lift Table



For serial no. 17020001 and higher

### **JET**

427 New Sanford Road  
LaVergne, Tennessee 37086  
Ph.: 800-274-6848  
[www.jettools.com](http://www.jettools.com)

**Part No. M-140778**  
Revision C 03/2017  
Copyright © 2017 JET

# Warranty and Service

JET® warrants every product it sells against manufacturers' defects. If one of our tools needs service or repair, please contact Technical Service by calling 1-800-274-6846, 8AM to 5PM CST, Monday through Friday.

## Warranty Period

The general warranty lasts for the time period specified in the literature included with your product or on the official JET branded website.

- JET products carry a limited warranty which varies in duration based upon the product. (See chart below)
- Accessories carry a limited warranty of one year from the date of receipt.
- Consumable items are defined as expendable parts or accessories expected to become inoperable within a reasonable amount of use and are covered by a 90 day limited warranty against manufacturer's defects.

## Who is Covered

This warranty covers only the initial purchaser of the product from the date of delivery.

## What is Covered

This warranty covers any defects in workmanship or materials subject to the limitations stated below. This warranty does not cover failures due directly or indirectly to misuse, abuse, negligence or accidents, normal wear-and-tear, improper repair, alterations or lack of maintenance. JET woodworking machinery is designed to be used with Wood. Use of these machines in the processing of metal, plastics, or other materials may void the warranty. The exceptions are acrylics and other natural items that are made specifically for wood turning.

## Warranty Limitations

Woodworking products with a Five Year Warranty that are used for commercial or industrial purposes default to a Two Year Warranty. Please contact Technical Service at 1-800-274-6846 for further clarification.

## How to Get Technical Support

Please contact Technical Service by calling 1-800-274-6846. **Please note that you will be asked to provide proof of initial purchase when calling.** If a product requires further inspection, the Technical Service representative will explain and assist with any additional action needed. JET has Authorized Service Centers located throughout the United States. For the name of an Authorized Service Center in your area call 1-800-274-6846 or use the Service Center Locator on the JET website.

## More Information

JET is constantly adding new products. For complete, up-to-date product information, check with your local distributor or visit the JET website.

## How State Law Applies

This warranty gives you specific legal rights, subject to applicable state law.

## Limitations on This Warranty

JET LIMITS ALL IMPLIED WARRANTIES TO THE PERIOD OF THE LIMITED WARRANTY FOR EACH PRODUCT. EXCEPT AS STATED HEREIN, ANY IMPLIED WARRANTIES OF MERCHANTABILITY AND FITNESS FOR A PARTICULAR PURPOSE ARE EXCLUDED. SOME STATES DO NOT ALLOW LIMITATIONS ON HOW LONG AN IMPLIED WARRANTY LASTS, SO THE ABOVE LIMITATION MAY NOT APPLY TO YOU.

JET SHALL IN NO EVENT BE LIABLE FOR DEATH, INJURIES TO PERSONS OR PROPERTY, OR FOR INCIDENTAL, CONTINGENT, SPECIAL, OR CONSEQUENTIAL DAMAGES ARISING FROM THE USE OF OUR PRODUCTS. SOME STATES DO NOT ALLOW THE EXCLUSION OR LIMITATION OF INCIDENTAL OR CONSEQUENTIAL DAMAGES, SO THE ABOVE LIMITATION OR EXCLUSION MAY NOT APPLY TO YOU.

JET sells through distributors only. The specifications listed in JET printed materials and on official JET website are given as general information and are not binding. JET reserves the right to effect at any time, without prior notice, those alterations to parts, fittings, and accessory equipment which they may deem necessary for any reason whatsoever. JET® branded products are not sold in Canada by JPW Industries, Inc.

## Product Listing with Warranty Period

90 Days – Parts; Consumable items
1 Year – Motors; Machine Accessories
2 Year – Metalworking Machinery; Electric Hoists, Electric Hoist Accessories; Woodworking Machinery used for industrial or commercial purposes
5 Year – Woodworking Machinery
Limited Lifetime – JET Parallel clamps; VOLT Series Electric Hoists; Manual Hoists; Manual Hoist Accessories; Shop Tools; Warehouse & Dock products; Hand Tools; Air Tools

NOTE: JET is a division of JPW Industries, Inc. References in this document to JET also apply to JPW Industries, Inc., or any of its successors in interest to the JET brand.

# Table of Contents

Warranty and Service.....	2
Table of Contents.....	3
Introduction .....	4
Specifications .....	4
Assembly.....	5
Operation .....	5
Maintenance.....	6
Troubleshooting DSLT-770 Double Scissor Lift.....	6
Replacement Parts.....	6
Parts Breakdown for DSLT-770 Double Scissor Lift Table .....	7
Parts List for DSLT-770 Double Scissor Lift Table.....	8



## **IMPORTANT SAFETY INSTRUCTIONS**

1. Read and understand the owner's manual before assembly and operation.
2. Do not load scissor lift beyond its rated capacity.
3. Do not allow people to sit or ride on scissor lift.
4. Always secure load in center of table before raising, lowering or moving scissor lift.
5. Do not transport loads in the raised position.
6. Use on smooth, level, finished floors only.
7. Pull release lever fully to allow load to descend in a controlled manner.
8. Keep hands and feet clear of table when lowering load.
9. Failure to comply with the above warnings may result in personal injury and/or property damage.

# Introduction

This manual is provided by JET, covering the safe operation and maintenance procedures for a JET Model DSLT-770 Double Scissor Lift Table. This manual contains instructions on installation, safety precautions, general operating procedures, maintenance instructions and parts breakdown. This machine has been designed and constructed to provide consistent, long-term operation if used in accordance with instructions set forth in this manual. If there are any questions or comments, please contact either your local supplier or JET. JET can also be reached at our web site: [www.jettools.com](http://www.jettools.com).

# Specifications

Model Number.....	DSL-770
Stock Number .....	140778
Capacity (lbs) .....	770
Table Size, L x W x H (in) .....	35-5/8 x 20-1/8
Maximum Height (in) .....	51-1/8
Minimum Height (in) .....	13-9/16
Handle Height (in) .....	39
Strokes to Reach Maximum Height.....	21
Wheel Diameter (in.) .....	5
Overall Dimensions, L x W x H (in) .....	45-3/4 x 20-1/8 x 39
Net Weight (lbs) .....	238
Shipping Weight (lbs) .....	266

*The above specifications were current at the time this manual was published, but because of our policy of continuous improvement, JET reserves the right to change specifications at any time and without prior notice, without incurring obligations.*

## Assembly

1. Attach the handle (A, Figure 1) to the frame using two hex cap bolts, two lock washers, and two flat washers. Tighten with a 19mm wrench.

**Note:** The two rear casters can be locked so that they do not rotate. Press foot lever (B, Figure 1)

2. Attach foot lever (A, Figure 2) to the lever bracket (B, Figure 2) with one hex cap screw, one flat washer, and one lock washer (C, Figure 2). Tighten with a 14mm wrench.

**⚠WARNING** Keep hands and feet clear of table and scissor lift openings while lowering load. Failure to comply may cause serious injury!

3. Pump the foot lever several cycles so that the table is out of your way while attaching the cable.

**Note:** Place a 2" x 4" board straight up and down between the table and frame so that the table cannot come down on you while attaching the cable.

4. Route the cable (A, Figure 3) into the cable nut (B, Figure 3). Run the cable through the lowering mechanism (C, Figure 3) and pull the cable tight. Tighten the hex nut (D, Figure 3) using a 14mm wrench.

**Note:** You may have to turn the socket head cap screw to line up the hole. This will allow the cable to pass through freely.

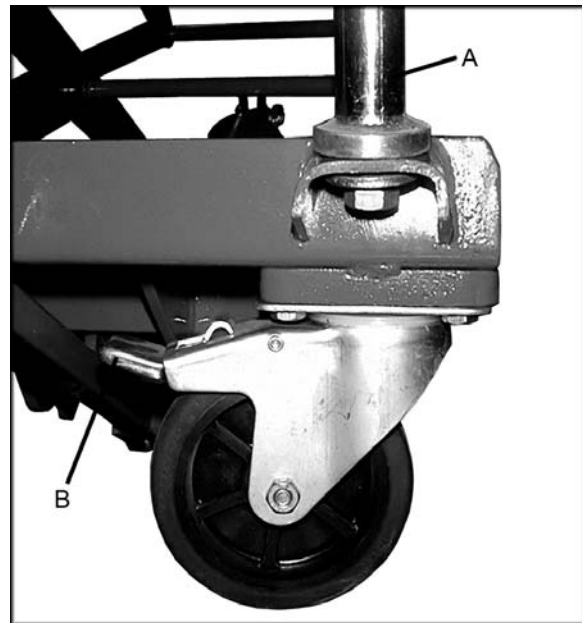


Figure 1

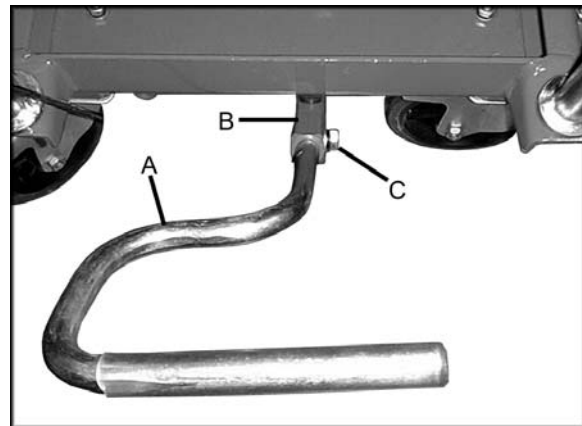


Figure 2

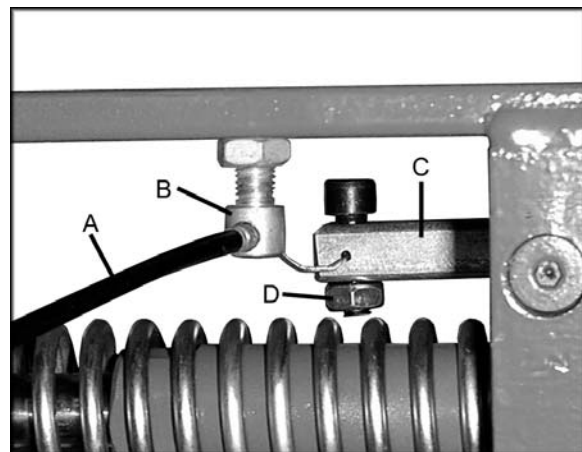


Figure 3

## Operation

1. The table can be raised by pumping the foot lever.
2. To lower the table, pull the release lever fully. This allows the table to lower in a slow, controlled manner.
3. Before loading, lock both caster brakes.
4. Center and secure load on table.
5. Before moving load, lower table fully and unlock caster brakes.

## Maintenance

1. Lubricate each friction point monthly with #2 tube grease.
2. Check the movement and wear of wheels.
3. Check for oil leakage from the hydraulic cylinder.
4. Store with table in lowered position.

## Troubleshooting DSLT-770 Double Scissor Lift

Items in parentheses refer to the index numbers in the parts breakdown.

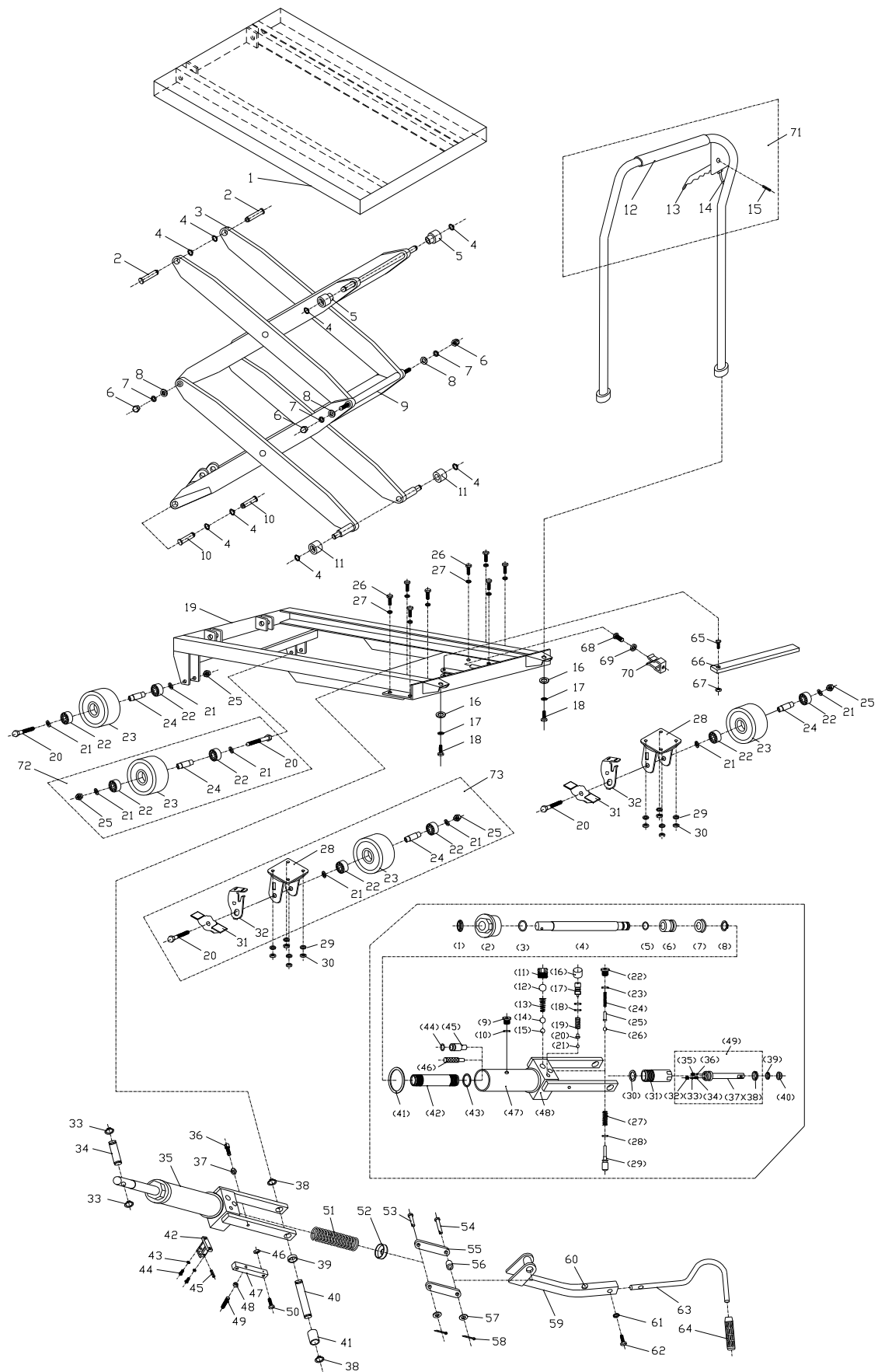
Trouble	Probable Cause	Remedy
Table will not lift.	Oil level low in hydraulic pump.	Remove air breather (9) and fill with hydraulic fluid.
	Lowering valve (29) or steel ball (26) is not seating.	Clean lowering valve (29) or steel ball (26) or replace.
	Relief valve is not adjusted properly.	Reload truck within load capacity and adjust valve by pressure relief adjusting screw (17).
Table will not remain elevated.	Lowering valve (29) or steel ball (26) not seating properly.	Clean or replace lowering valve (29) or steel ball (26).
	O-ring (5) or U-packing (7) is worn out.	Replace o-ring (5) or U-packing (7).
Table will not lower.	U-packing (7) is worn out.	Replace U-packing (7).
	Lowering valve relief plug (16) is clogged.	Replace lowering valve relief plug (16).
Oil leaks from lowering valve.	O-ring (28) is worn out.	Replace o-ring (28).
Oil leaks from pump cylinder.	Oil seal (39) or U-packing (40) worn out.	Replace oil seal (39) or U-packing (40).

## Replacement Parts

Replacement parts are listed on the following pages. To order parts or reach our service department, call 1-800-274-6848 Monday through Friday, 8:00 a.m. to 5:00 p.m. CST. Having the Model Number and Serial Number of your machine available when you call will allow us to serve you quickly and accurately.

Non-proprietary parts, such as fasteners, can be found at local hardware stores, or may be ordered from JET. Some parts are shown for reference only, and may not be available individually.

# Parts Breakdown for DSLT-770 Double Scissor Lift Table



## Parts List for DSLT-770 Double Scissor Lift Table

Index No.	Part No.	Description	Size	Qty
1	DSL770-01G	Table		1
2	DSL770-06	Link Shaft		2
3	DLS770-02	Link Assembly		1
4	DSL770-03	C-Ring	Ø 16 m	8
5	DSL770-04	Roller Guide		2
6	DSL770H-06	Nut	M12	4
7	DSL770H-07	Spring Washer	Ø 12 mm	4
8	SLT660FH-26	Washer	Ø 12 mm	4
9	DSL770H-09	Shaft		2
10	DSL770-12	Link Shaft		2
11	DSL770H-11	Roller Guide		2
12	DSL770H-12	Handle		1
13	SLT660FH-09	Release Lever		1
14	SLT660FH-10	Cable		1
15	SLT660FH-11	Spring Pin	Ø 6 x 28 mm	1
16	SLT660FH-26	Washer	Ø 12 mm	2
17	DSL770H-07	Spring Washer	Ø 12 mm	2
18	DSL770H-18	Hex Cap Screw	M12 x 25	2
19	DSL770H-19G	Frame		1
20	SLT660FH-25	Hex Cap Screw	M12 x 95	4
21	SLT660FH-26	Washer	Ø 12 mm	8
22	SLT660FH-27	Bearing	6203ZZ	8
23	SLT660FH-28	Wheel	5"	4
24	SLT660FH-29	Bushing		4
25	SLT660FH-30	Lock Nut	M12	4
26	TS-1490031	Hex Cap Screw	M8 x 20	8
27	TS-1550061	Flat Washer	Ø 8 mm	8
28	SLT660FH-33	Swivel Wheel Holder		2
29	TS-1550061	Flat Washer	Ø 8 mm	8
30	TS-1541031	Lock Nut	M8	8
31	SLT660FH-36	Brake Plate		2
32	SLT660FH-37	Stop Support		2
33	SLT660FH-38	C-Ring	Ø 18 mm	2
34	SLT660FH-39	Shaft		1
35	DSL770H-35	Hydraulic Pump Assembly		1
[1]	SLT660F-36-1	Oil Seal*	DHS30	1
[2]	DSL770-35-2	Top Nut		1
[3]	SLT660F-36-3	O-Ring*	Ø 36x3.5 mm	1
[4]	DSL770H-35-4	Lift Piston		1
[5]	DSL770H-35-5	O-Ring*	Ø 21x2.4 mm	1
[6]	DSL770H-35-6	Piston Bushing		1
[7]	DSL770H-35-7	U-Packing*	D50	1
[8]	DSL770H-35-8	C-Ring	Ø 22 mm	1
[9]	SLT660F-36-8	Air Breather		1
[10]	SLT660F-36-9	O-Ring*	Ø 11x1.9 mm	1
[11]	SLT660F-36-16	Valve Plug	M16x2	1
[12]	SB-12MM	Steel Ball	Ø 12mm	1
[13]	SLT660F-36-18	Spring		1
[14]	SLT660F-36-19	Steel Ball	Ø 9.525 mm	1
[15]	SLT660F-36-20	Steel Ball	Ø 6.35 mm	1
[16]	SLT660F-36-10	Relief Plug		1
[17]	SLT660F-36-21	Relief Adjusting Screw		1
[18]	SLT660F-36-22	O-Ring*	Ø 11 x 1.9 mm	2
[19]	SLT660F-36-23	Spring		1
[20]	SLT660F-36-14	Steel Ball Support		1
[21]	SB-5MM	Steel Ball	Ø 5 mm	1
[22]	SLT660F-36-21	Screw	M10 x 1	1
[23]	SLT660F-36-9	O-Ring*	Ø 11 x 1.9 mm	1
[24]	SLT660F-36-23	Spring		1
[25]	SLT660FH-40-24	Steel Ball Support		1



Index No.	Part No.	Description	Size	Qty
[26]	SB-5MM	Steel Ball	Ø 5 mm	1
[27]	SLT660F-36-25	Spring		1
[28]	SLT660F-36-26	O-Ring*	Ø 10 x 1.9 mm	1
[29]	SLT660F-36-27	Adjusting Shaft		1
[30]	SLT660FH-40-29	Inner Washer*		1
[31]	SLT660F-36-29	Pump Cylinder		1
[32]	SLT660F-36-32	Screw		1
[33]	SLT660F-36-33	Valve Plug		1
[34]	SLT660F-36-34	Spring		1
[35]	SLT660F-36-30	Screw		1
[36]	SB-5MM	Steel Ball	Ø 5 mm	1
[37]	SLT660F-36-36	Pump Piston		1
[38]	SLT660F-36-35	Oil Seal*	UHS23.5	1
[39]	SLT660F-36-37	Oil Seal*	UHS18	1
[40]	SLT660F-36-38	U-Packing*	DHS18	1
[41]	DSL770FH-35-41	Outer Washer*		2
[42]	DSL770FH-35-42	Inside Cylinder Tube		1
[43]	DSL770FH-35-43	Inside Washer*		1
[44]	SLT660FH-40-43	O-Ring*	Ø 12 x 1.9mm	1
[45]	SLT660FH-40-44	Special Lowering Valve		1
[46]	SLT660FH-40-45	Filter		1
[47]	DSL770FH-35-47	Outer Cylinder Tube		1
[48]	DSL770FH-35-48	Pump Body		1
[49]	DSL770H-35-49	Pump Piston Assembly (index # [32] thru [38])		1
36	SLT660FH-41	Adjusting Screw		1
37	SLT660F-70	Hex Nut	Ø 8 mm	1
38	SLC660F-38	C-Ring	Ø 20 mm	2
39	SLT660FH-44	Bushing		1
40	SLC660F-39	Shaft		1
41	SLT660FH-46	Bushing		1
42	SLT660F-67	Fixed Seat		1
43	SLT660F-68	Spring Washer	Ø 5 mm	2
44	SLT660F-74	Screw	M5 x 14	2
45	SLT660F-69	Spring Pin	Ø 6 x 22 mm	1
46	TS-2311081	Hex Nut	M8	1
47	SLT660F-73	Fixed Board		1
48	SLT660F-70	Hex Nut	M8	1
49	SLT660F-71	Socket Set Screw	M8 x 30	1
50	SLT660F-72	Hex Cap Screw	M8 x 25	1
51	SLC660F-40	Spring		1
52	SLC660F-41	Spring Cover		1
53	SLT660FH-58	Pin		1
54	SLT660FH-59	Pin		1
55	SLC660F-42	Slide Plate		1
56	SLC660F-56	Bushing		1
57	TS-1550071	Washer	Ø 10 mm	2
58	SLT660FH-63	Lock Pin	Ø 3 x 30 mm	2
59	SLC660F-45	Lever		1
60	SLC660F-45A	Rubber Bumper		1
61	TS-2361081	Spring Washer	Ø 8 mm	1
62	TS-1490051	Hex Cap Screw	M8 x 30	1
63	SLC660F-46	Foot Lever		1
64	SLC660F-47	Foot Lever Pad		1
65	SLT660FH-70	Hex Cap Screw	M10 x 30	1
66	DSL770H-66	Safety Bar		1
67	SLT660FH-72	Hex Nut	M10	1
68	SLT660FH-73	Hex Cap Screw	M6 x 10	1
69	SLT660FH-74	Spring Washer	Ø 6 mm	1
70	SLT660FH-75	Spring Clip		1
71	DSL770H-71	Handle Assembly (index # 12 thru 15)		1
72	SLT660FH-77	Front Wheel Assembly (index # 20 thru 25)		1

<b>Index No.</b>	<b>Part No.</b>	<b>Description</b>	<b>Size</b>	<b>Qty</b>
73	SLT660FH-78	Swivel Wheel Assembly (index # 20-25, 28, 31, 32)		1
	DSL770-RK	Repair Kit		1

Index numbers with brackets [ ] are part of the Hydraulic Pump Assembly, DSLT770H-35.

Parts included in the Repair Kit are indicated by an asterisk \*.

This page intentionally left blank.



427 New Sanford Road  
LaVergne, Tennessee 37086  
Phone: 800-274-6848  
[www.jettools.com](http://www.jettools.com)