



## Assembly and Parts List

# Folding Infeed/Outfeed Tables

for JWDS-2244, JWDS-2244OSC, and JWDS-2550 Drum Sanders



### IMPORTANT SAFETY INSTRUCTIONS

- Read and understand entire owner's manual for your Drum Sander before attempting assembly or operation.
- Read and understand the warnings posted on the machine and in the manual. Failure to comply with all of these warnings may cause serious injury.
- Replace warning labels if they become obscured or removed.
- **⚠ WARNING:** This product can expose you to chemicals including lead which is known to the State of California to cause cancer and birth defects or other reproductive harm. For more information go to <http://www.p65warnings.ca.gov>.

Open shipping carton and compare contents with the following parts list to make sure all parts are intact. Report any missing parts to your distributor.

#### Contents:

- 2 Infeed/Outfeed Tables – **D**
- 1 Rear (short) Fixed Bracket – **E**
- 1 Front (long) Fixed Bracket – **F**
- 2 Left Folding Table Brackets – **G**
- 2 Right Folding Table Brackets – **H**
- 1 Assembly and Parts List
- 1 Hardware Package, includes:
  - 4 Locking handles – **HP1**
  - 4 Disc washers – **HP2**
  - 4 Oilite washers – **HP3**
  - 16 Socket hd cap screws M8x16 – **HP4**
  - 16 Flat washers M8 – **HP5**
  - 4 Socket hd cap screws M6x20 – **HP6**
  - 4 Flat washers M6 – **HP7**
  - 4 Eccentric cams – **HP8**

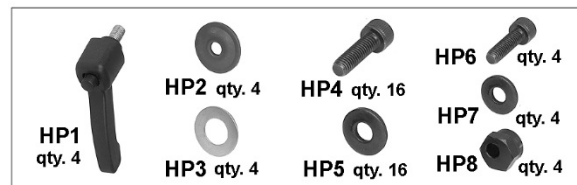
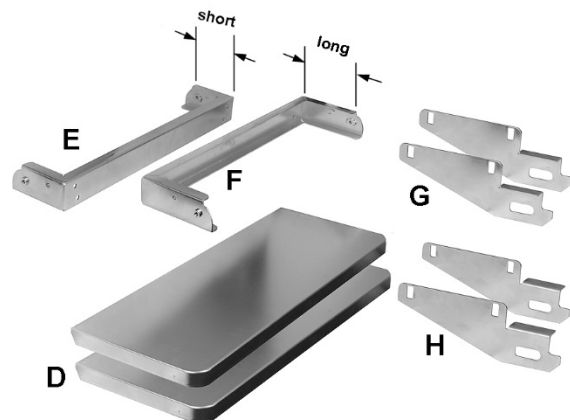


Figure 1: Contents

#### Tools required for assembly

5mm, 6mm hex (Allen) wrenches  
Straight edge (such as straight steel bar or carefully jointed board)

#### JET

427 New Sanford Road  
LaVergne, Tennessee 37086  
Ph.: 800-274-6848  
[www.jettools.com](http://www.jettools.com)

Part No. M-723541

Edition 2 10/2018

Copyright © 2018 JET, a division of JPW Industries, Inc

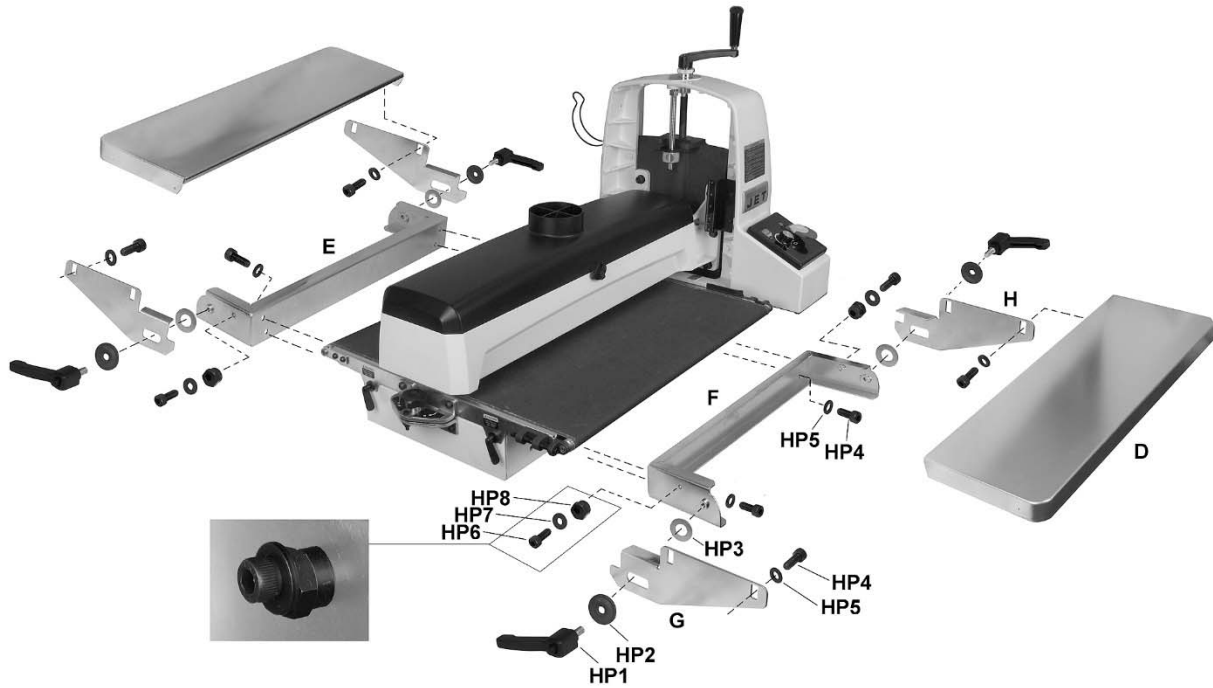


Figure 2: Assembly of Infeed/Outfeed Tables to Drum Sander

## Assembly

The sander must be bolted to the stand or a work table when using these table extensions. Maximum working load of each table is 35 pounds. Fasteners are provided with the extension tables.

NOTE: If using the folding feature of the infeed/outfeed tables, make sure your table or bench allows for such vertical drop at front and back.

To install infeed table:

1. Install front (F) fixed bracket to threaded holes in sander base with screws and washers (HP4/5). Make sure bracket is oriented as shown. Bracket must be flush against base. **NOTE: Long bracket mounts to front (infeed); short bracket to rear (outfeed).**
2. Tighten screws (HP4).
3. Install eccentric cam (HP8) with screw and washer (HP6/7). *Finger tighten only at this time.*
4. Install left (G) and right (H) table brackets, using handles and washers (HP1/2/3).  
 Note: Handle (HP1) is adjustable – pull up and rotate on pin to more convenient position, then release allowing it to settle back onto pin.
5. Place infeed table (D) onto table brackets and secure with screws and washers (HP4/5). *Finger tighten only.*

Align infeed table with sander's conveyor table as follows. See Figures 3 and 4.

6. Place a straight-edge at one side of conveyor table under drum and extending out over infeed table. See Figure 3. You may wish to lower drum until it contacts the straight edge to hold it in place.
7. Raise infeed table until it evenly contacts straight edge. If needed, loosen four screws (HP4) beneath table and adjust table to level. Tighten screws.
8. Loosen screw (HP6) and rotate eccentric cam (HP8) until it contacts lip of table bracket. Do this on both sides of infeed table. This ensures infeed table will remain level with conveyor table each time it is returned to operating position. Tighten screws (HP6).
9. Install outfeed table using identical procedure as above.

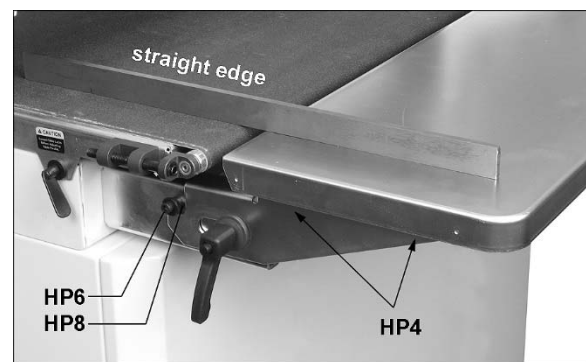


Figure 3: infeed table alignment

TIP: It is often preferable to position infeed/ outfeed tables *slightly below* conveyor table surface, particularly if stock being sanded is bowed, warped or otherwise inconsistent. Also, if stock slips on conveyor, the tables may be positioned too high.

### Adjustment

The tables can be swung down to allow easier access for abrasive wrapping or other adjustments.

Loosen handles on each side, slide table away from machine and then down. See Figure 4.

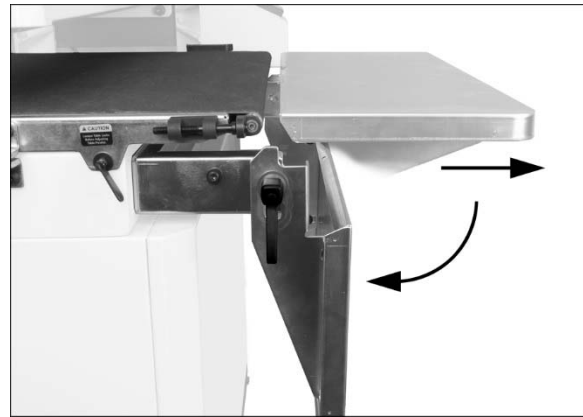


Figure 4

### Specifications

Stock no.	723541	723551
Fits model	JWDS-2244	JWDS-2550 / JWDS-2244OSC
Table size	22 x 10-1/4 in. (559 x 260mm)	26 x 10-1/4 in. (660 x 260mm)
Net weight (approx.)	23 lbs. (11 kg)	26 lbs. (12 kg)
Shipping weight (approx.)	28 lbs. (13 kg)	31 lbs. (14 kg)

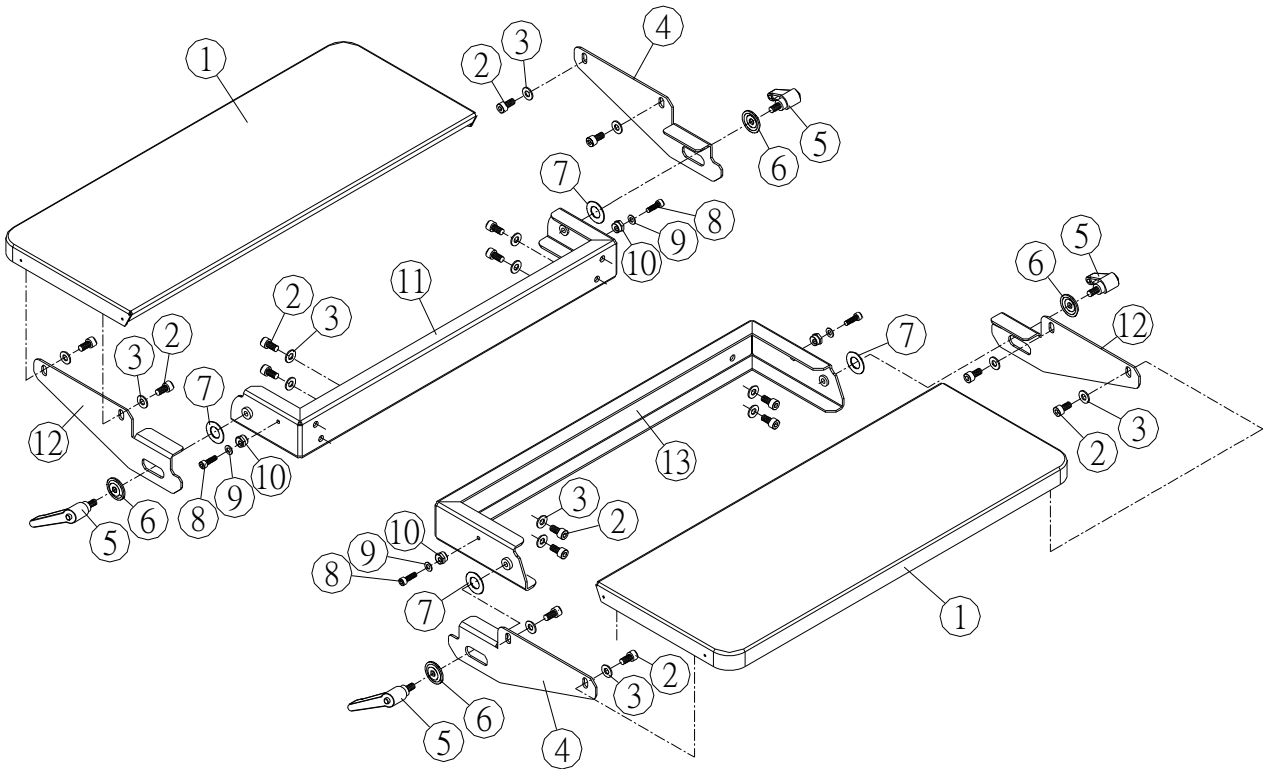
### Replacement Parts

Replacement parts are listed on the following page. To order parts or reach our service department, call 1-800-274-6848 Monday through Friday, 8:00 a.m. to 5:00 p.m. CST. Having the Model Number and Serial Number of your machine available when you call will allow us to serve you quickly and accurately.

Non-proprietary parts, such as fasteners, can be found at local hardware stores, or may be ordered from JET.

Some parts are shown for reference only, and may not be available individually.

## Folding Infeed/Outfeed Tables for JWDS-2244/-2244OSC/-2550



Index No.	Description	Qty.	JWDS-2244	JWDS-2550 JWDS-2244OSC
			Part No.	
	Folding Infeed/Outfeed Tables (#1-13)		723541	723551
1	Extension Table	2	JWDS2244-401	JWDS2550-401
2	Socket Head Cap Screw M8-1.25P x 16L	16	TS-1504031	
3	Flat Washer 8.3 x 20 x 1.5T mm	16	TS-1550061	
4	Left Folding Table Bracket	2	JWDS2244-404	
5	Handle	4	JWDS2244-405	
6	Disc Washer	4	JWDS2244-406	
7	Oilite Washer	4	JWDS2244-407	
8	Socket Head Cap Screw M6-1.0P x 20L	4	TS-1503051	
9	Flat Washer 6.3 x 13 x 2T mm	4	TS-1550041	
10	Eccentric Cam	4	JWDS2244-410	
11	Rear Fixed Bracket	1	JWDS2244-411	JWDS2550-411
12	Right Folding Table Bracket	2	JWDS2244-412	
13	Front Fixed Bracket	1	JWDS2244-413	JWDS2550-413
	Hardware Package, Infeed-Outfeed Tables (includes #2,3,5,6,7-10)		JWDS2244-420	