



## **6 & 20-GALLON FLUID EVACUATOR AND OIL DRAINS USER'S MANUAL**

**Part No. JDI-6EV and Part No. JDI-20EV**

**READ AND SAVE THIS MANUAL**

**FOR SERVICE ASSISTANCE, CALL 800-433-0708 OR VISIT [JOHNDOW.COM](http://JOHNDOW.COM)**





## General Information

Read equipment manual and this material before using this tank.



## DANGER

*Indicates a hazardous situation that, if not avoided, could result in death or serious injury.*

- Hot motor oil removed from the engine may exceed 220°F and cause severe burns or injuries.
- Opening a hot system can cause these fluids to be forcibly sprayed in all directions.
- Allow oil temperature to reach 194°F or less before extracting.
- Do not exceed 120 PSI (8.3 bar) supply pressure when generating the vacuum.
- Never exceed the MAX vacuum reading on the vacuum gauge.



## CAUTION

*Indicates a hazardous situation that, if not avoided, could result in minor or moderate injury.*

- Wear proper personal safety equipment. Use extreme care when handling to prevent burns or injury.
- Do not leave the bowl unattended while creating the vacuum.
- Do not use if vacuum gauge is damaged. Replace immediately.
- Tank should be in good condition with no visible leaks. Repair leaks and clean up spills and properly dispose of waste material.

## NOTICE

*Indicates information considered important, but not hazard-related.*

- Monitor fluid level in bowl and on drain. DO NOT overfill.
- Closely monitor the flow out of the discharge hose to prevent spills when evacuating oil from the drain.
- Inspect all hoses and probes before use for cracks, kinks, damage, or blisters. Replace damaged hoses or probes immediately.
- Close all valves when the oil drain is not being filled or emptied.

## U.S. ENVIRONMENTAL REGULATIONS

- Certain automotive fluids are considered to be compatible for recycling used oil per the US Environmental Agency (EPA). Other types of fluids may not be mixed with used motor oil and must be handled separately. See definitions below:

### Used Oil Includes:

- Synthetic Oil
- Engine Oil
- Transmission Oil
- Brake Fluid
- Hydraulic Oil
- Cutting/Metal Oils

### Used Oil Does Not Include:

- Antifreeze
- Gasoline
- Kerosene
- Petroleum Distillates and Solvents
- Vegetable or Animal Oils

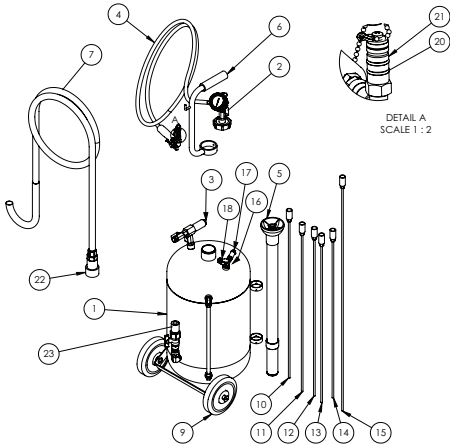
## CAPACITY AND DIMENSIONS

Product Specification	JDI-6EV	JDI-20EV
Tank Capacity	6.5 gallons (24.6 liters)	20 gallons (75.5 liters)
Overall Dimensions - H x W x D (in)	35" x 16" x 15"	38" x 19" x 21"
Overall Dimensions - H x W x D (cm)	89 x 41 x 38	97 x 48 x 53
Weight (Empty)	32 lb (14.5 kg)	50 lb (22.7 kg)
Air Supply Pressure (Evacuate Fluid into Drain)	100-120 PSI (6.9 - 8.2 MPa) Max.	
Air Supply Pressure (Evacuate Drain)	10 PSI (0.7 MPa) Max.	

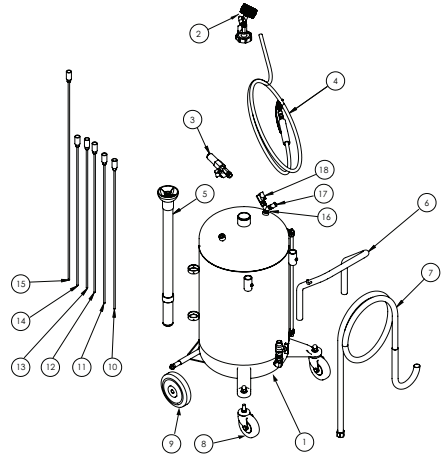
## GETTING STARTED

Before assembly, ensure you have all parts according to the components list below. If any parts are missing or damaged, contact us for replacement.

## COMPONENTS



**JDI-6EV**



**JDI-20EV**

Item No.	Description	JDI-6EV Replacement Parts	JDI-20EV Replacement Parts
1	Oil Drain	–	–
2	Vacuum Gauge	6EV-1	6EV-1
3	Venturi Vacuum Generator	6EV-2	6EV-2
4	Suction Hose	6EV-3	6EV-3
5	Probe Tube	6EV-6	6EV-6
6	Drain Handle	–	–
7	Evacuation Hose	25HDC-1	25HDC-1
8	Caster	–	20DCE-1
9	Fixed Wheel	20DCE-7	20DCE-7
10	Flexible Probe (5mmx700mm) - Red	PR5-700	PR5-700
11	Flexible Probe (6mmx700mm) - Green	PR6-700	PR6-700
12	Flexible Probe (8mmx700mm) - Yellow	PR8-700	PR8-700
13	Metal Probe (5mmx700mm)	PRM5-700	PRM5-700
14	Metal Probe (6mmx700mm)	PRM6-700	PRM6-700
15	Flexible Probe (7mmx1000mm) - Clear	PR7-1000	PR7-1000
16	WYE Adapter	25HDC-Y-ADAP	25HDC-Y-ADAP
17	Safety Valve	20DCE-4	20DCE-4
18	Ball Valve	AV-38	AV-38
19	Sight Glass	S-KIT	S-KIT
20	Probe Link O-Rings (4 Pack)	EV-ORING	–
21	Probe Link	6EV-DP	–
22	1/2" Female Quick-Connect Fitting	HA-15231-00	–
23	1/2" Male Quick-Connect Fitting	HA-15232-00	–

### Items Not Shown

(2) Lock washers, (2) Large flat washers, (2) Small flat washers, (2) Cap nuts, (1) BMW adapter ADP-BMW, (1) Mercedes-Benz adapter ADP-MCD, and (1) Volkswagen adapter ADP-VW.

## TOOLS & SUPPLIES NEEDED (not included)

JDI-6EV: 4mm Hex Wrench

JDI-20EV: 3/4" Wrench, 1/2" Wrench, Phillips Head Screwdriver

### ASSEMBLY INSTRUCTIONS FOR JDI-6EV

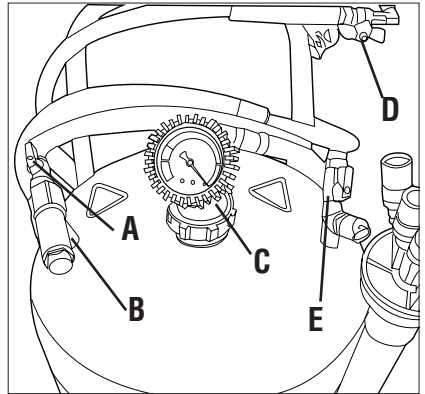
1. Place Probe Tube [5] in rings on side of Tank [1].
2. Place Flexible Probes [10, 11, 12, 15] and Metal Probes [13, 14] in Probe Tube [5].
3. Secure handle [6] to Tank using 4mm Hex Wrench.
4. Screw on Vacuum Gauge Kit Assembly [2] and hand tighten.
5. Connect 1" diameter Evacuation Hose [7], tighten with 1-1/16" Wrench.

### ASSEMBLY INSTRUCTIONS FOR JDI-20EV

1. Assemble Front Casters [8], Washers, Lock Washers and Cap Nuts using 3/4" Wrench.
2. Assemble Rear Fixed Wheels [9], Washers and Screws using 1/2" Wrench.
3. Place Probe Tube [5] in rings on side of Tank [1].
4. Place Flexible Probes [10, 11, 12, 15] and Metal Probes [13, 14] in Probe Tube.
5. Secure Handle [6] to Tank using Phillips Head Screwdriver.
6. Screw on Vacuum Gauge Assembly [2] and hand tighten.

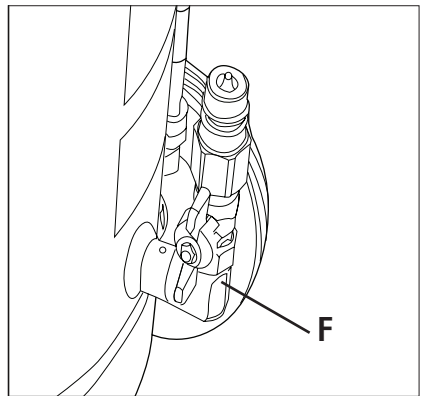
### Generating the Vacuum:

1. Close all ball valves as shown including:
  - A. Air shut off valve [A]
  - B. Below venturi [B] to tank
  - C. Shut off gauge valve [C]
  - D. Probe coupler connection [D]
  - E. Air into tank (with safety valve) [E], used to empty tank
  - F. Discharge hose [F] at base of tank
2. Connect air supply to the venturi port (quick connect air fitting not included) [3]. Supply air pressure should be between 100 and 120 PSI to achieve optimum vacuum.
3. To generate the vacuum inside the tank, open air supply [A], venturi valve [B], and gauge valve [C]. Monitor the vacuum gauge and turn off the air when the gauge is in the green zone by closing the ball valves [A & B]. Disconnect the air supply. The tank is ready to extract oil.



### Extracting Oil from Vehicle:

1. Select the appropriate size probe [10-15] and insert into the engine oil dip stick tube or gear case port.
2. Remove protective cap from suction hose [4] and connect to the probe connector.
3. To begin the extraction of oil from the vehicle / gear case, open the probe coupler ball valve [D].
4. When complete, close valve [D] and remove probe.



### Emptying the Drain:

1. Place hook end of Evacuation Hose [7] in the used oil collection tank.
2. Close all ball valves except the ball valve below the evacuation hose connector [F].
3. Connect shop air to the tank connector [E] (with safety valve). Do not exceed 10 PSI supply pressure.
4. To evacuate the used oil from the drain, open the tank ball valve [D].
5. When drain is empty, close tank ball valve [E] and disconnect air supply.

### Maintenance & Storage:

1. Periodically check fittings for visible leaks. Service as necessary.
2. Keep cap on end of suction hose and keep all ball valves closed when not in use.