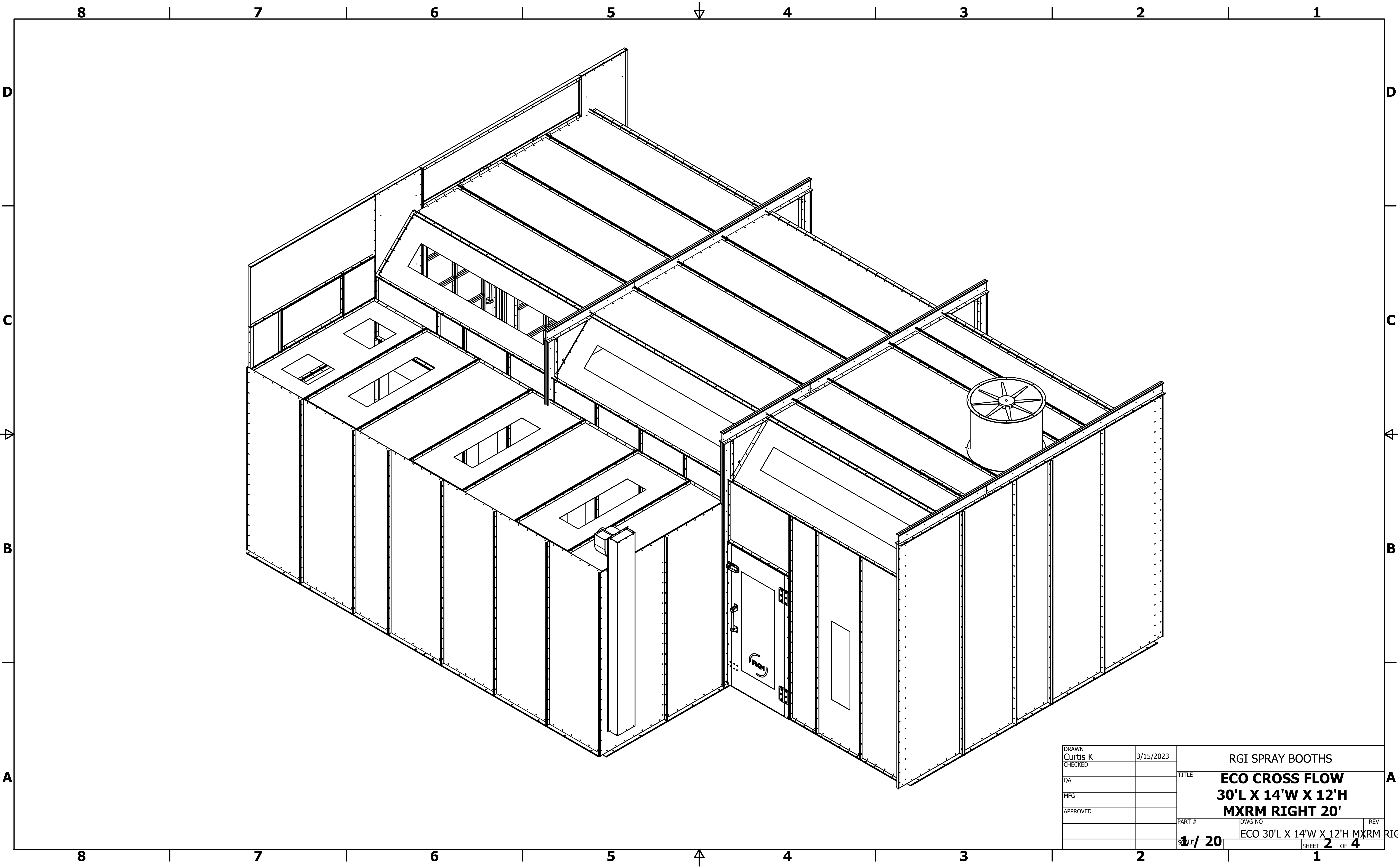
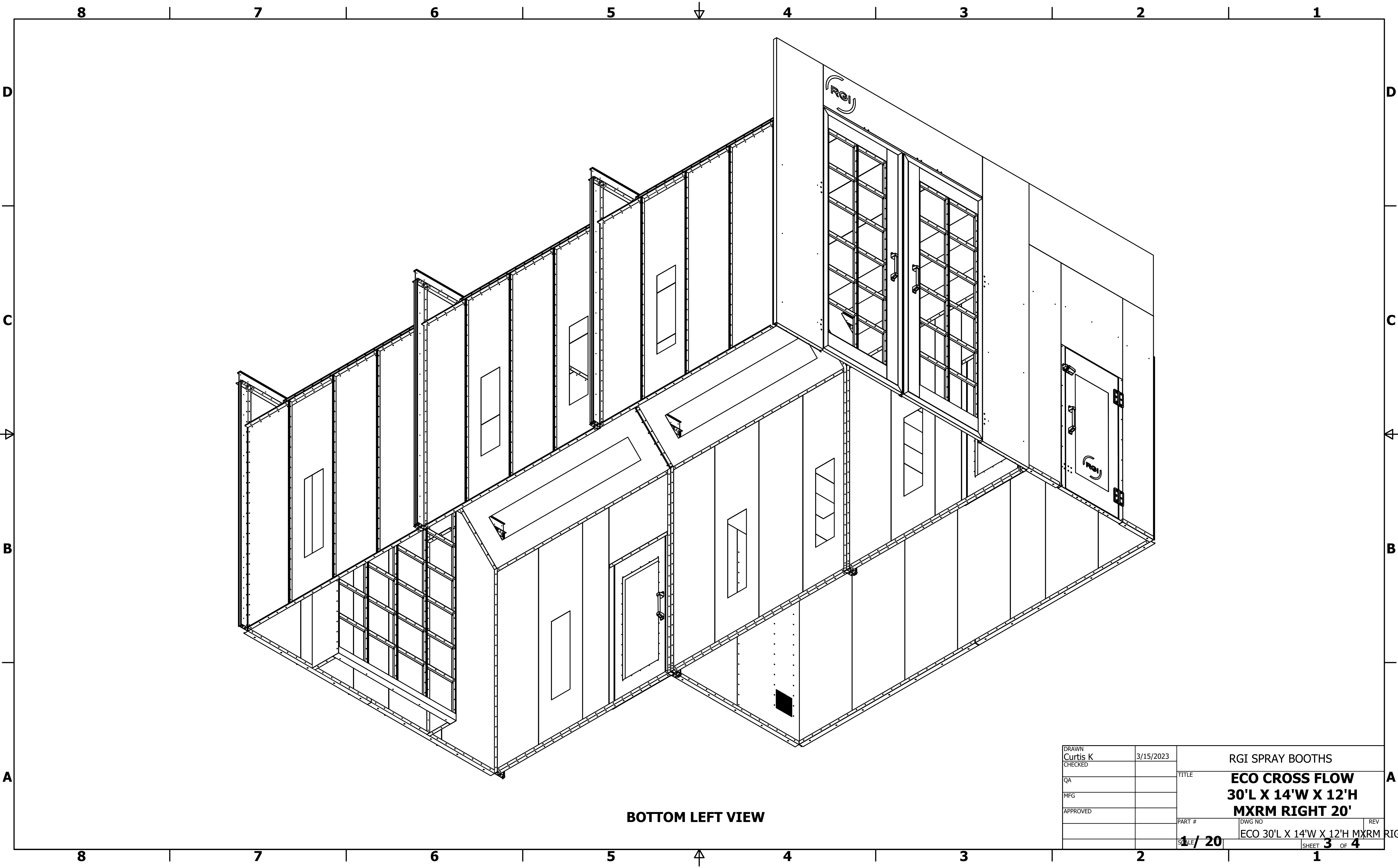


THIS DOCUMENT CONTAINS CONFIDENTIAL AND PROPRIETARY INFORMATION THAT CANNOT BE REPRODUCED OR DIVULGED, IN WHOLE OR IN PART, WITHOUT WRITTEN AUTHORIZATION FROM RGI SPRAY BOOTHS

DRAWN Curtis K	3/15/2023	RGI SPRAY BOOTHS	
CHECKED		TITLE ECO CROSS FLOW 30'L X 14'W X 12'H MXRM RIGHT 20'	
QA		PART #	DWG NO
MFG		SCALE 1 / 20	REV
APPROVED		ECO 30'L X 14'W X 12'H MXRM RIGH	
		SHEET 1 OF 4	

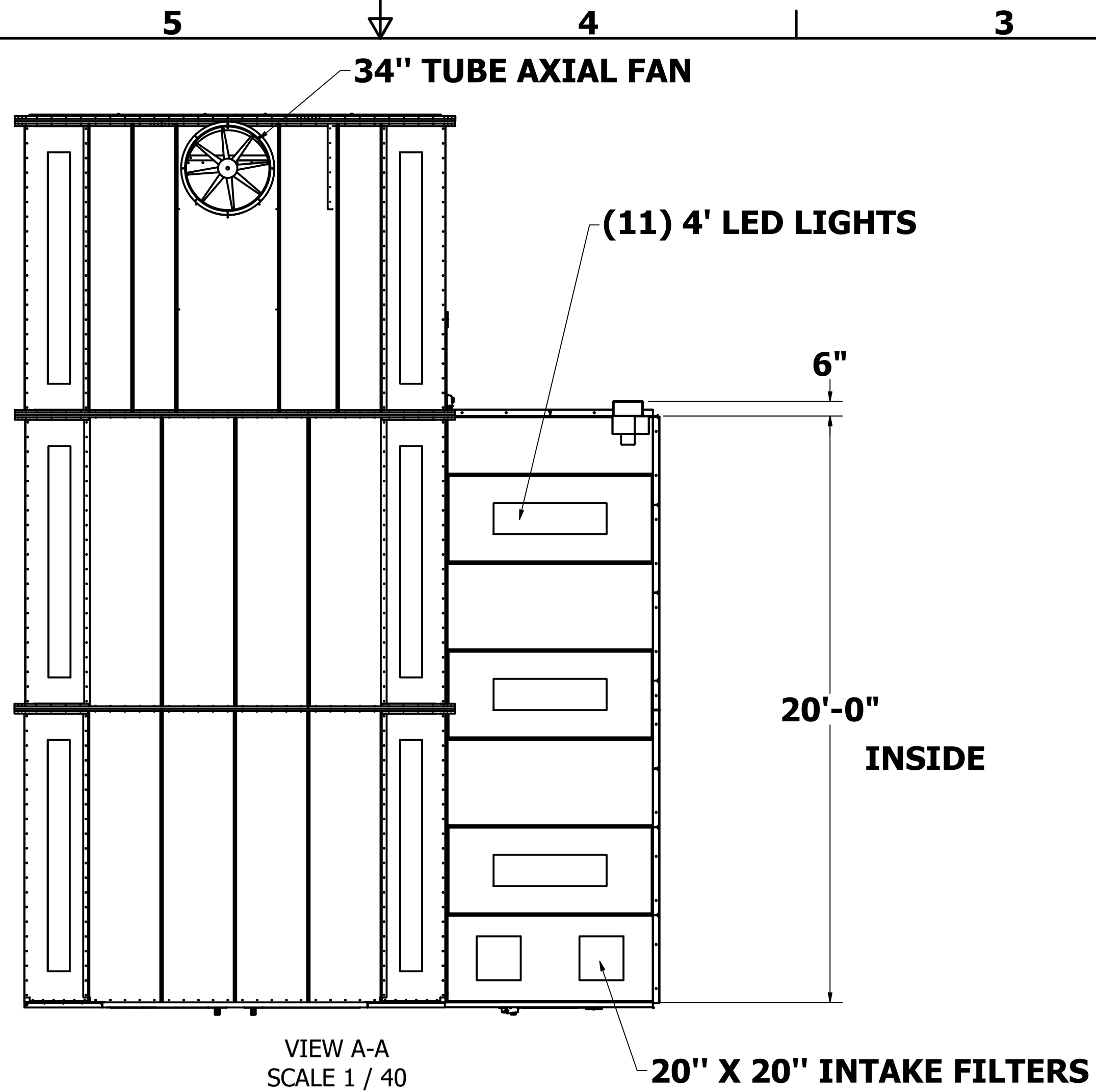
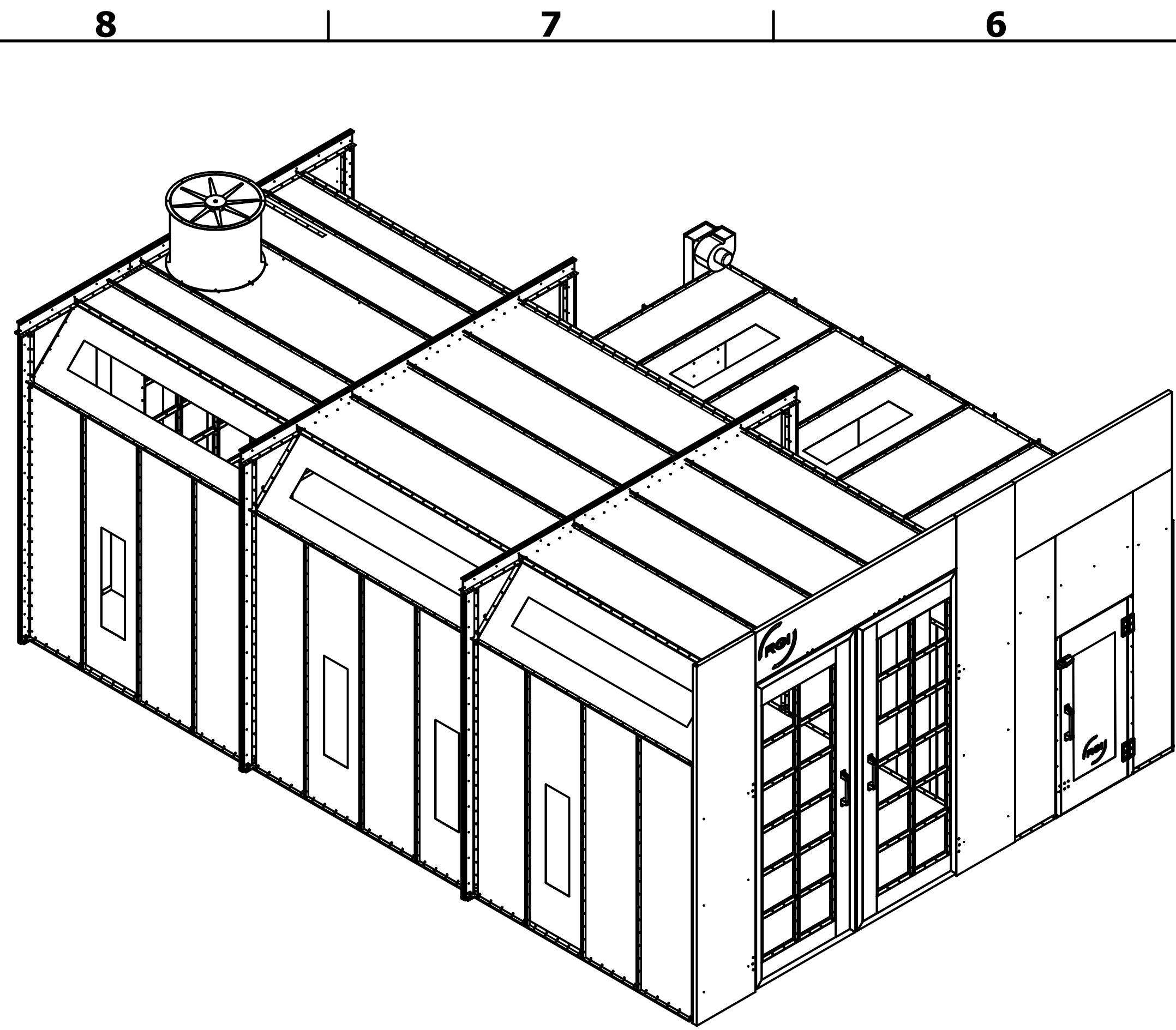


DRAWN Curtis K	3/15/2023	RGI SPRAY BOOTHS	
CHECKED		TITLE ECO CROSS FLOW 30'L X 14'W X 12'H MXRM RIGHT 20'	
QA		PART #	DWG NO
MFG			
APPROVED		SCALE	REV
		1 / 20	ECO 30'L X 14'W X 12'H MXRM RIGH
		SHEET	OF
		2	4

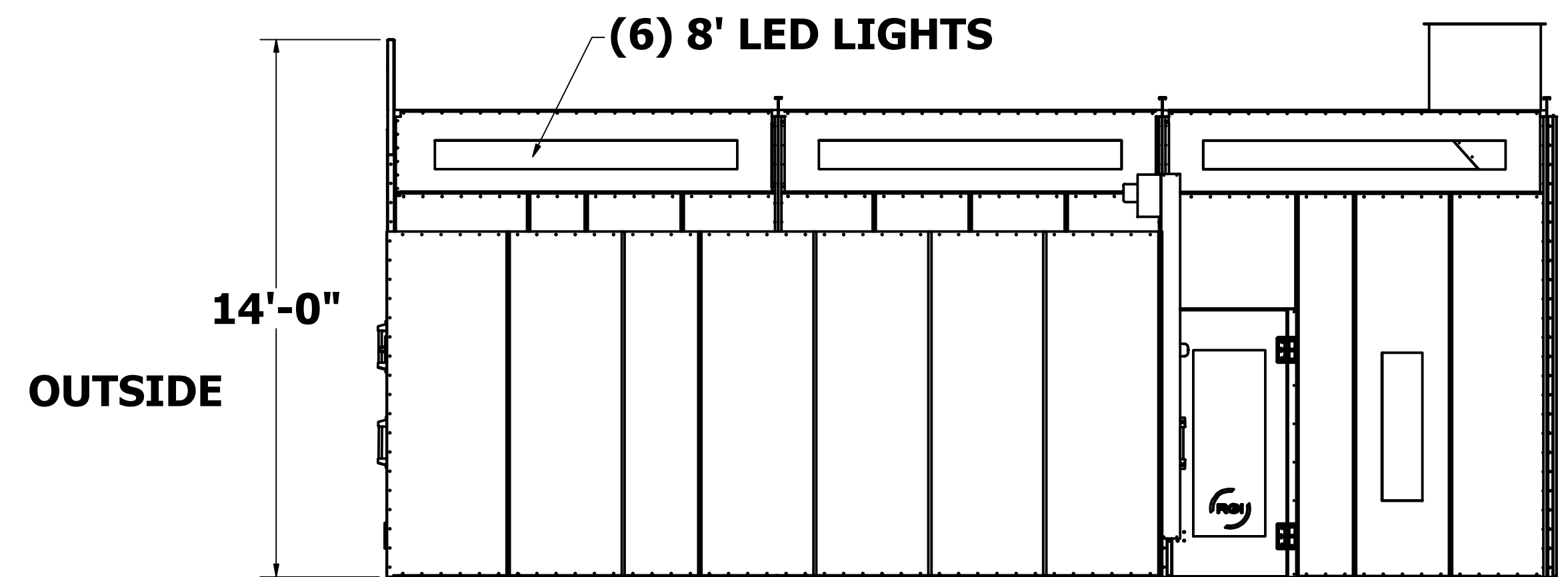
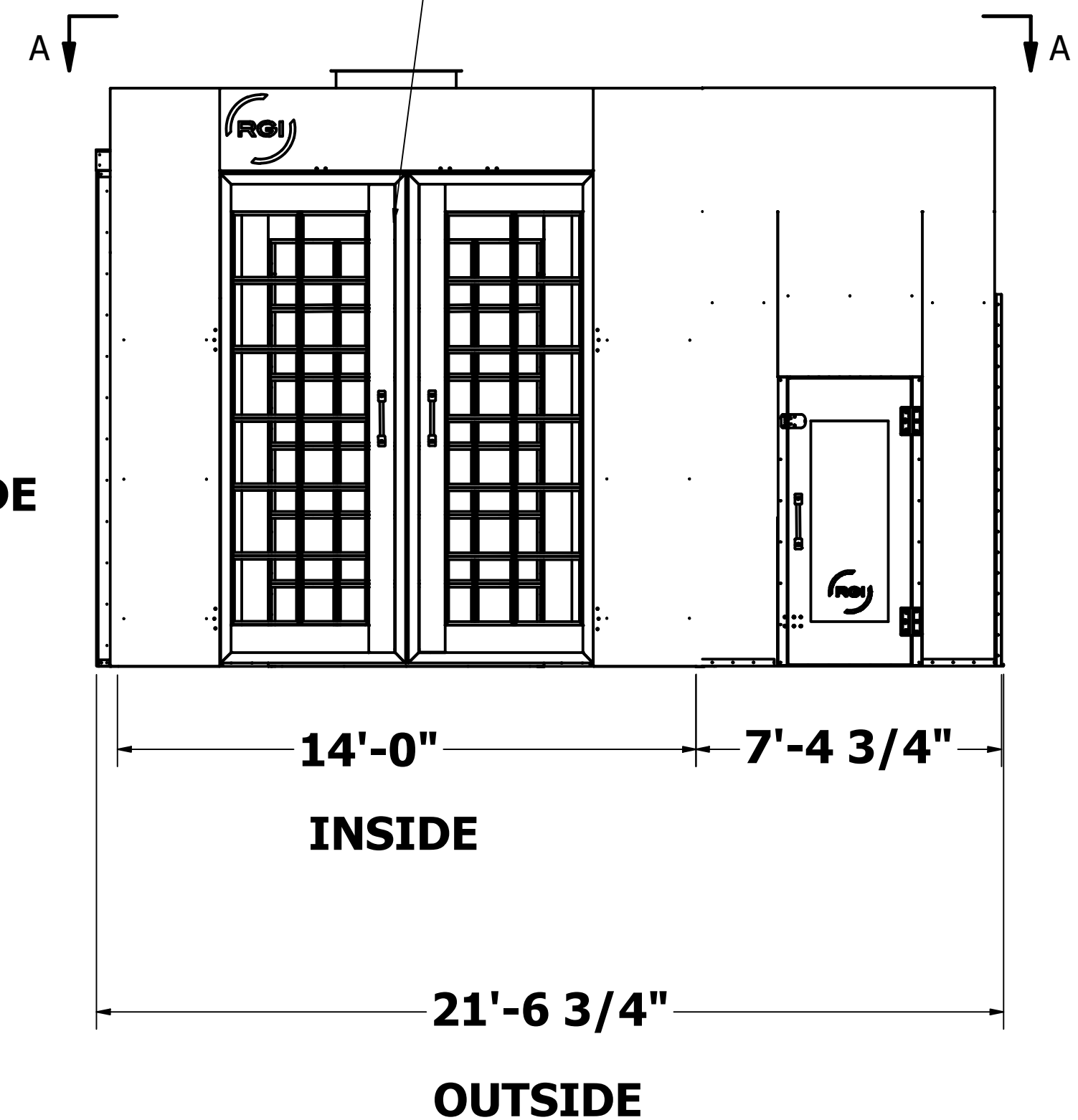
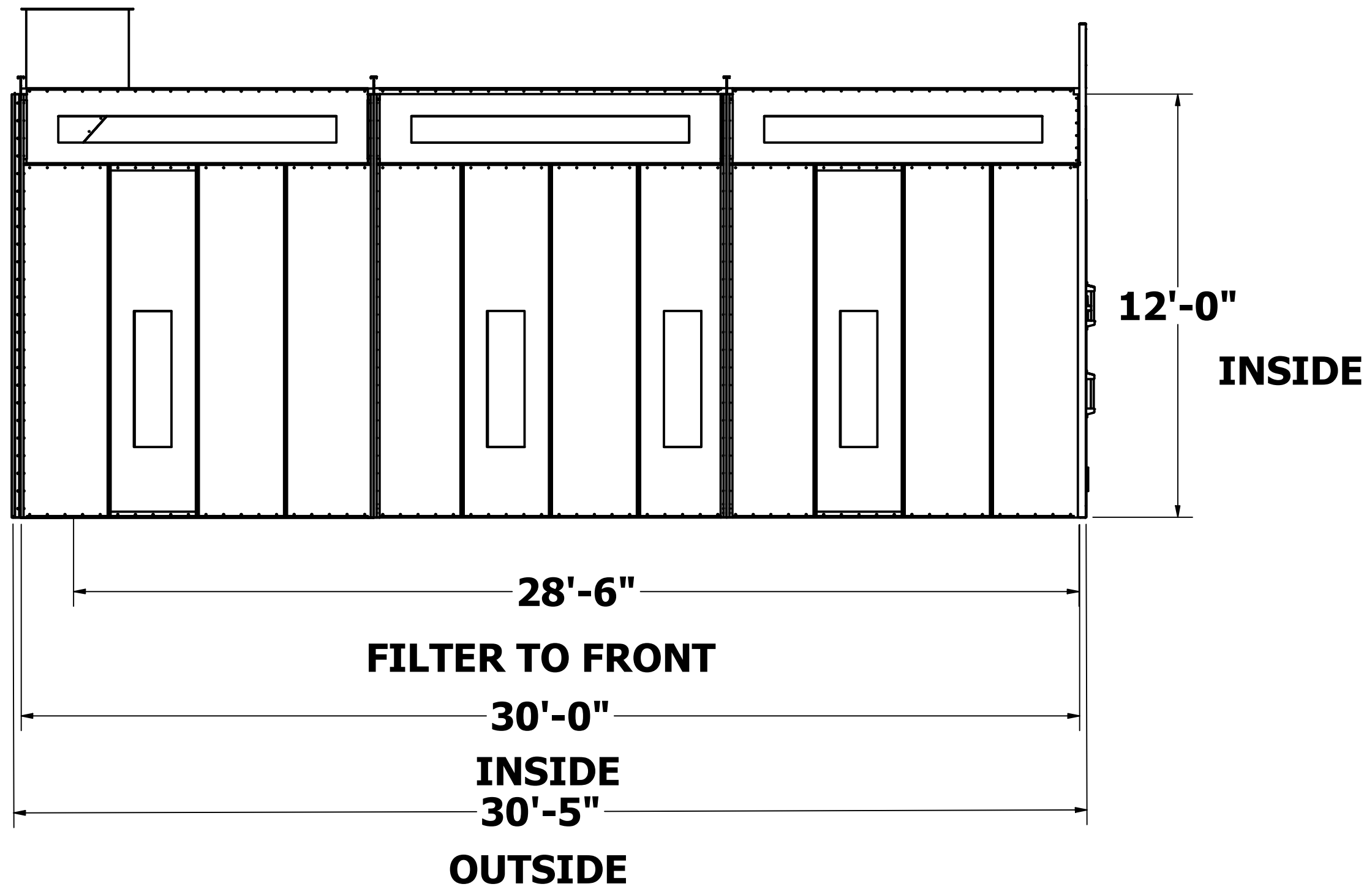


BOTTOM LEFT VIEW

DRAWN Curtis K	3/15/2023	RGI SPRAY BOOTHS	
CHECKED		TITLE ECO CROSS FLOW 30'L X 14'W X 12'H MXRM RIGHT 20'	
QA		PART #	DWG NO
MFG		SCALE 1 / 20	REV
APPROVED		ECO 30'L X 14'W X 12'H MXRM RIGHT	
		SHEET 3 OF 4	



DOOR WAY 9'W X 12'H



DRAWN Curtis K	3/15/2023	RGI SPRAY BOOTHS	
CHECKED		TITLE	
QA		ECO CROSS FLOW	
MFG		30'L X 14'W X 12'H	
APPROVED		MXRM RIGHT 20'	
		PART #	DWG NO
		SCALE	REV
		1 / 40	ECO 30'L X 14'W X 12'H MXRM RIGH
		SHEET	4 OF 4