

8 7 6 5 4 3 2 1

D

D

C

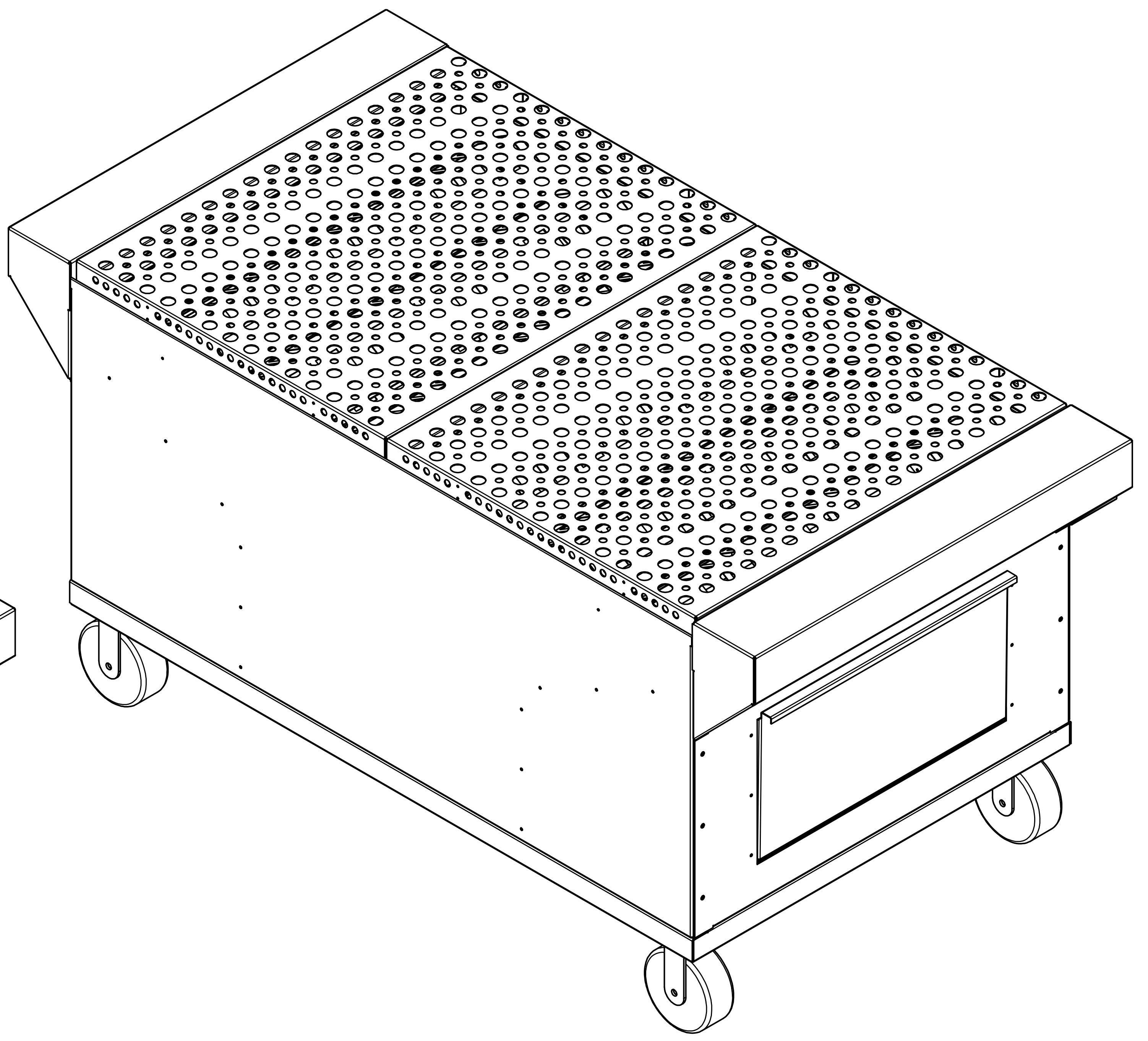
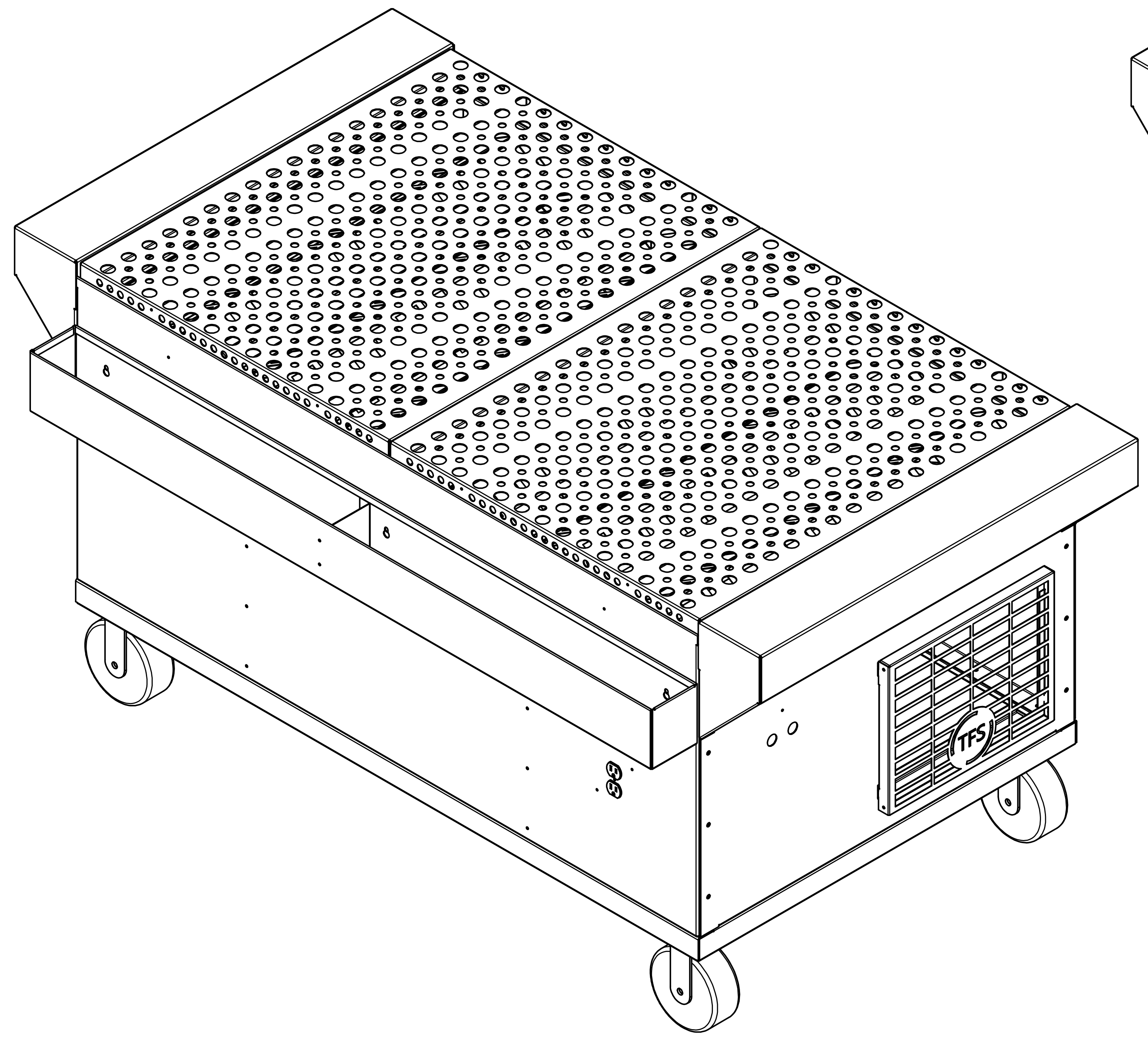
C

B

B

A

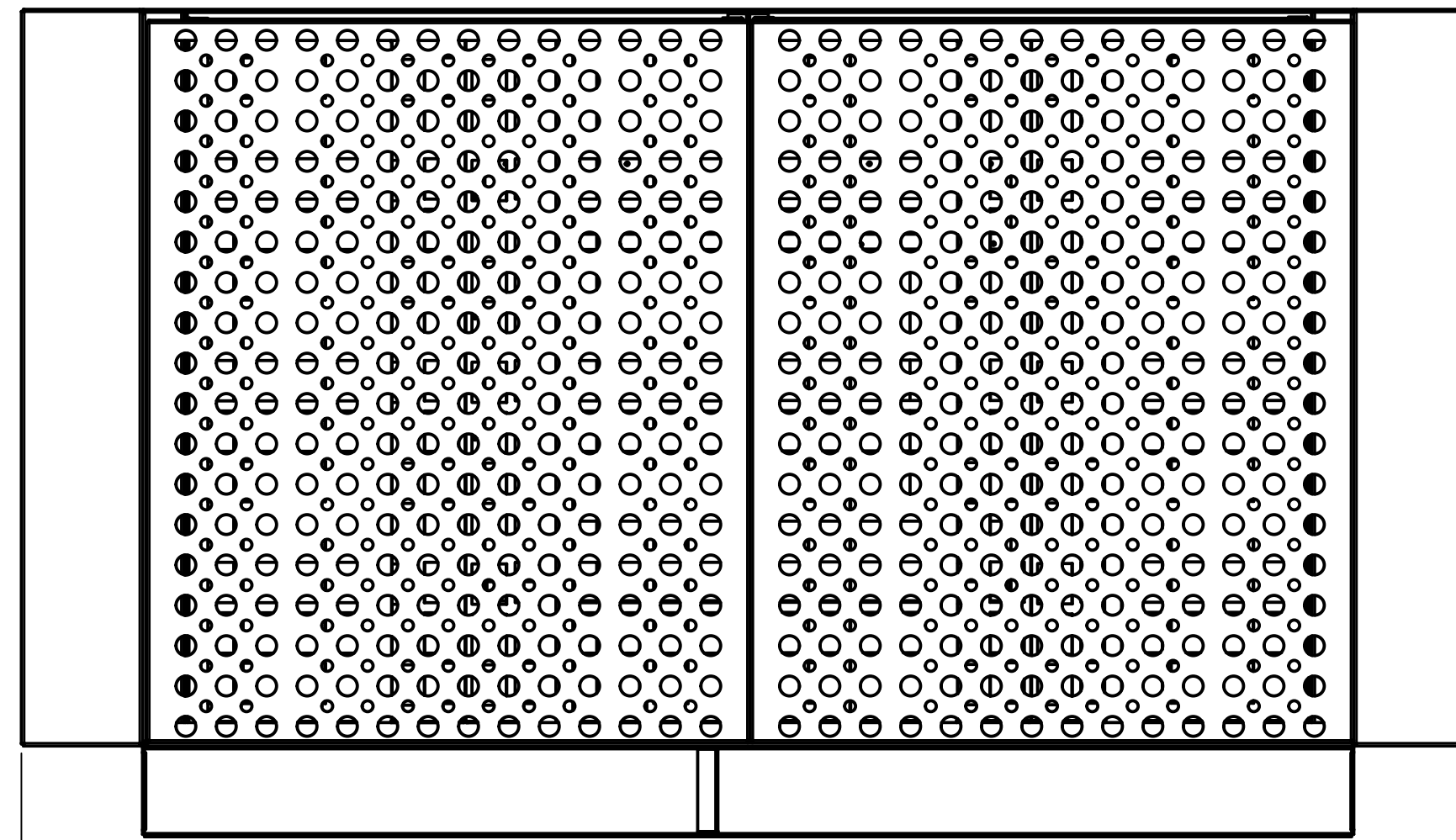
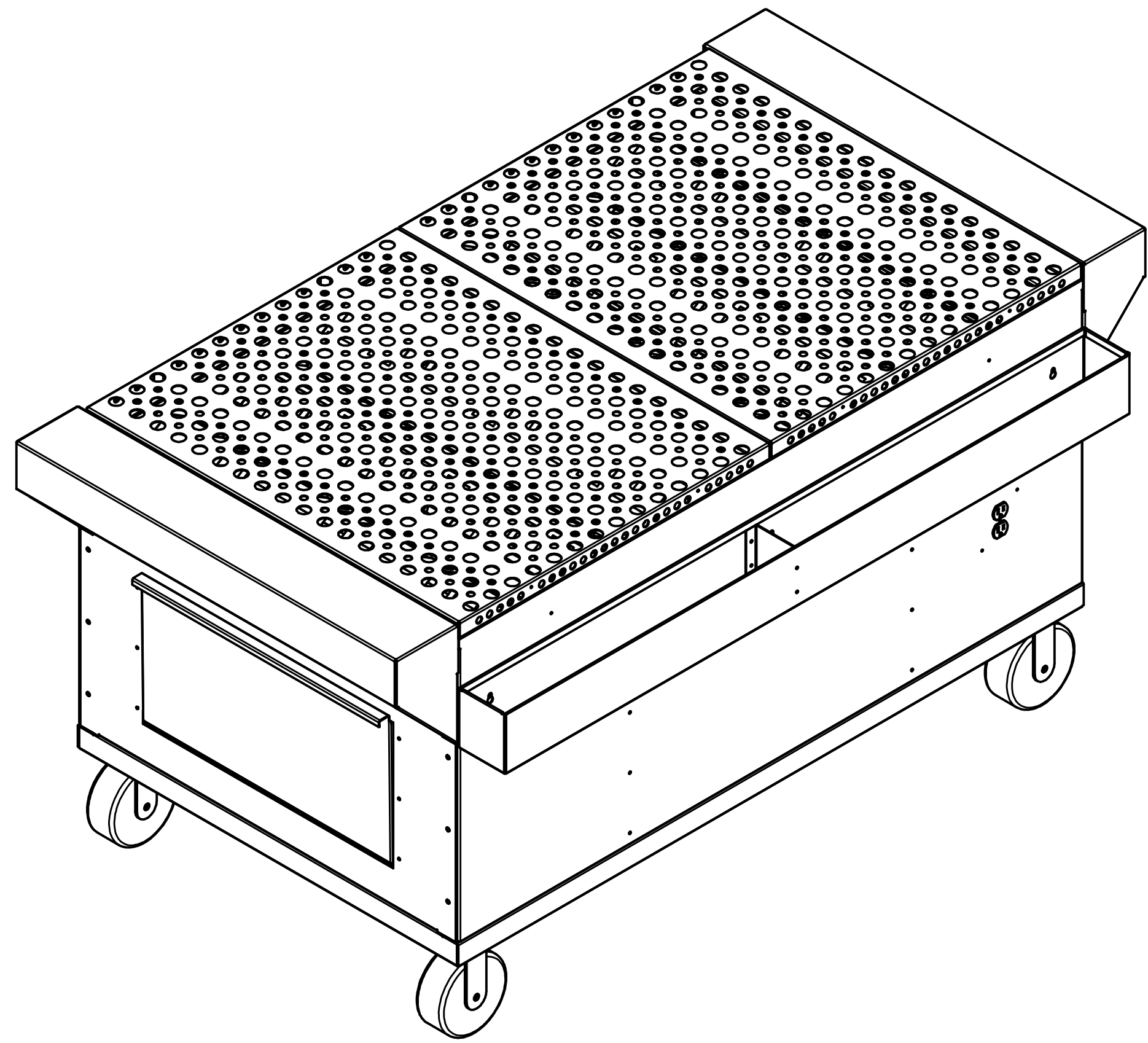
A



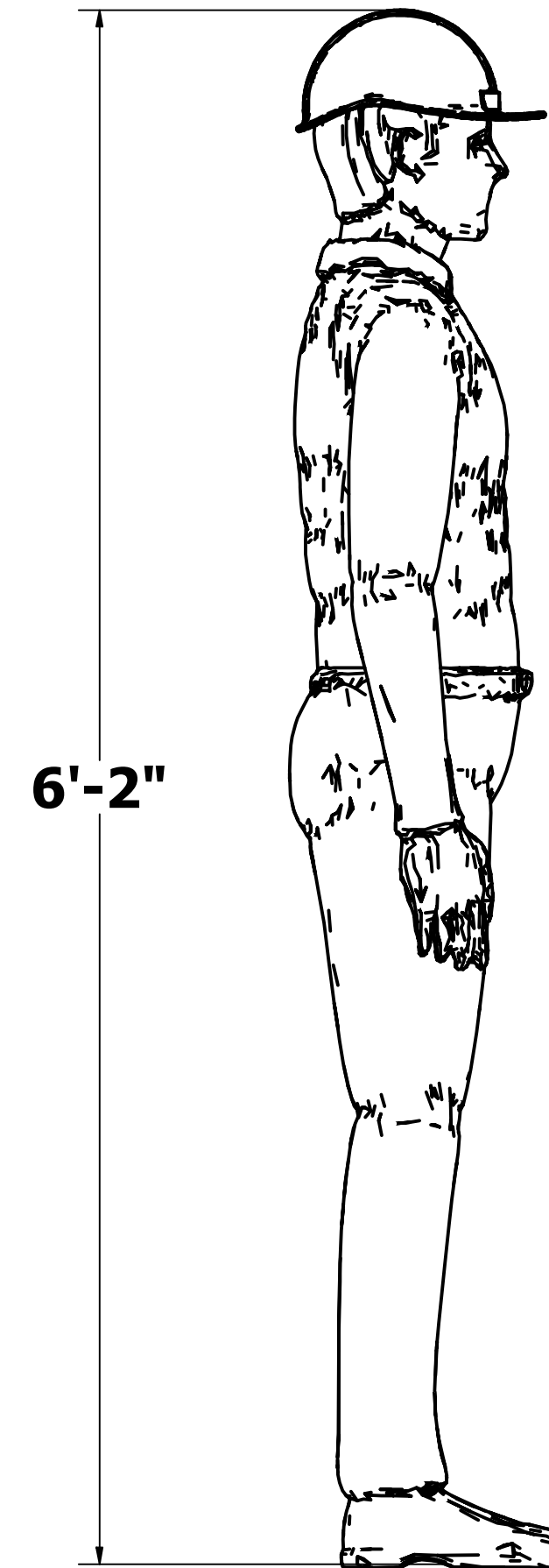
THIS DOCUMENT CONTAINS CONFIDENTIAL AND PROPRIETARY INFORMATION THAT CANNOT BE REPRODUCED OR DIVULGED, IN WHOLE OR IN PART, WITHOUT WRITTEN AUTHORIZATION FROM RGI SPRAY BOOTHS

| | | | |
|-------------------|-----------|--|---------------|
| DRAWN Curtis K | 8/11/2023 | RGI SPRAY BOOTHS | |
| CHECKED | | TITLE | |
| QA | | DOWN DRAFT TABLE 72"W BACK AND SIDE GUARD | |
| MFG | | PART # | DWG NO |
| APPROVED | | | REV |
| | | SCALE 1 / 5 | SHEET 1 OF 31 |

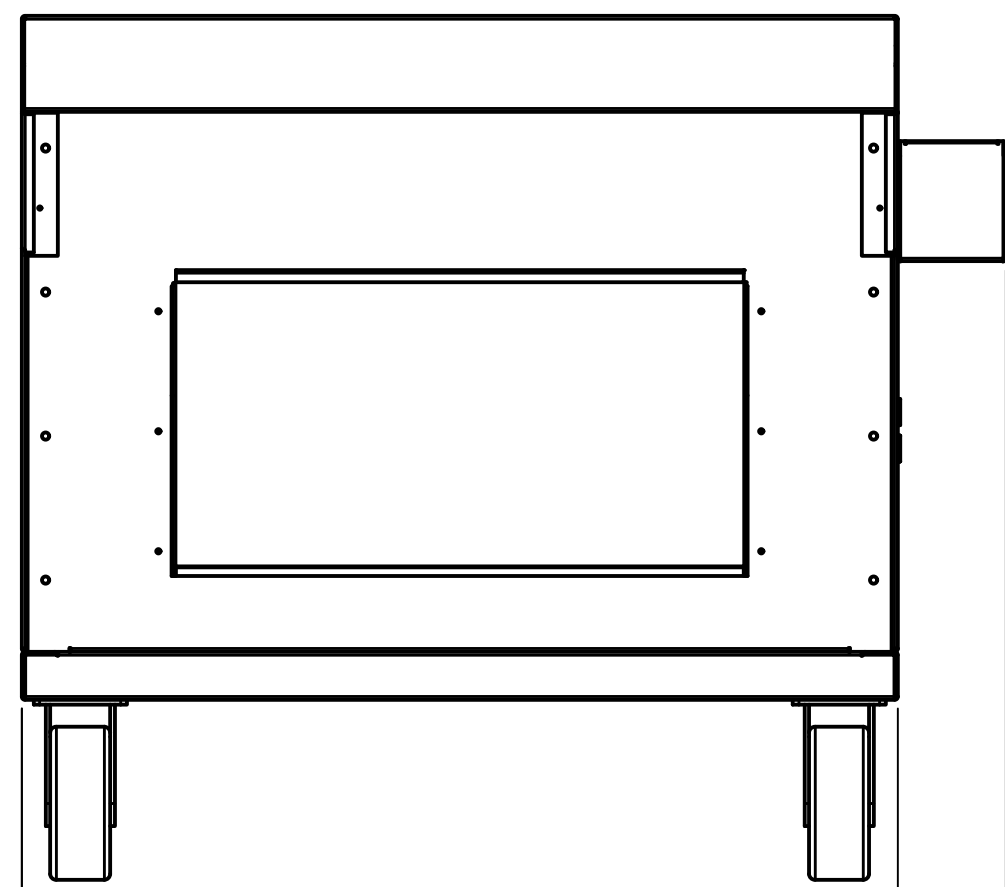
8 7 6 5 4 3 2 1



6'-0"
WIDTH

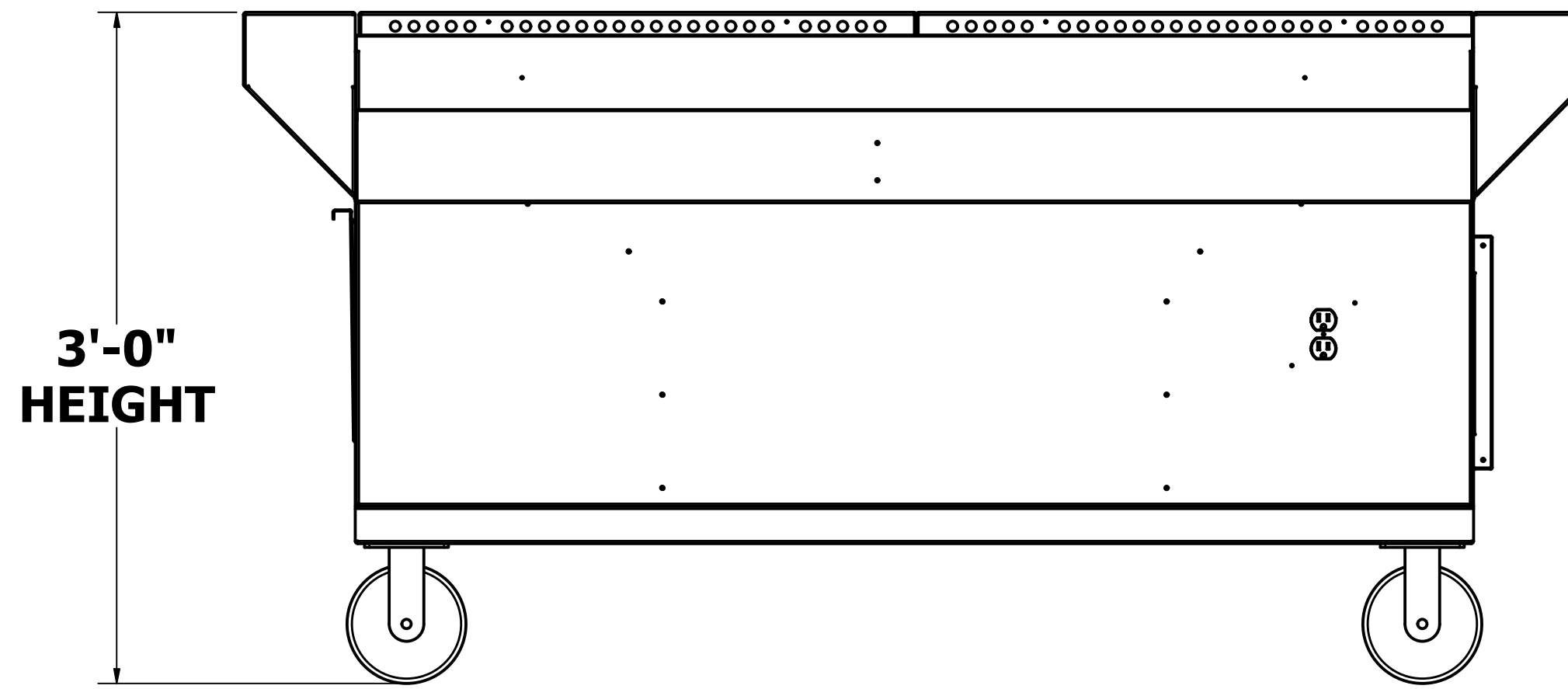


6'-2"

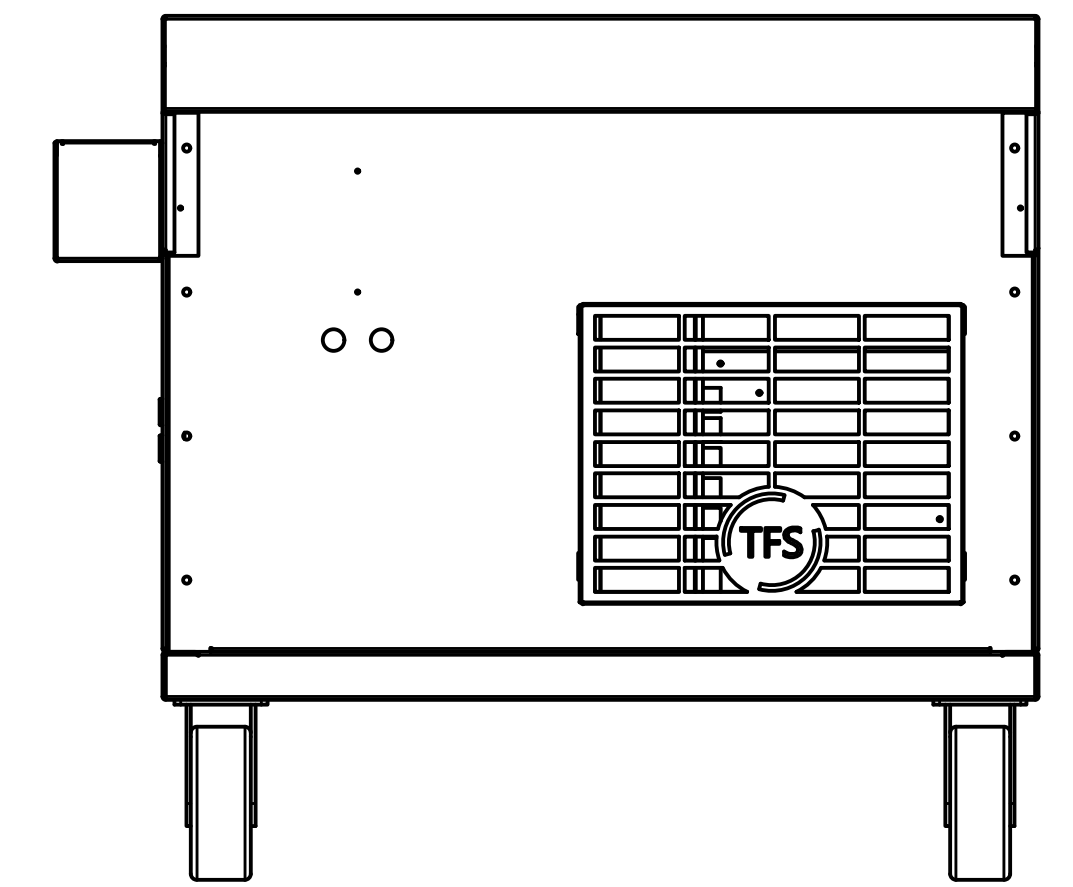


3'- 1/2"
LENGTH

3'-5"
OVERALL

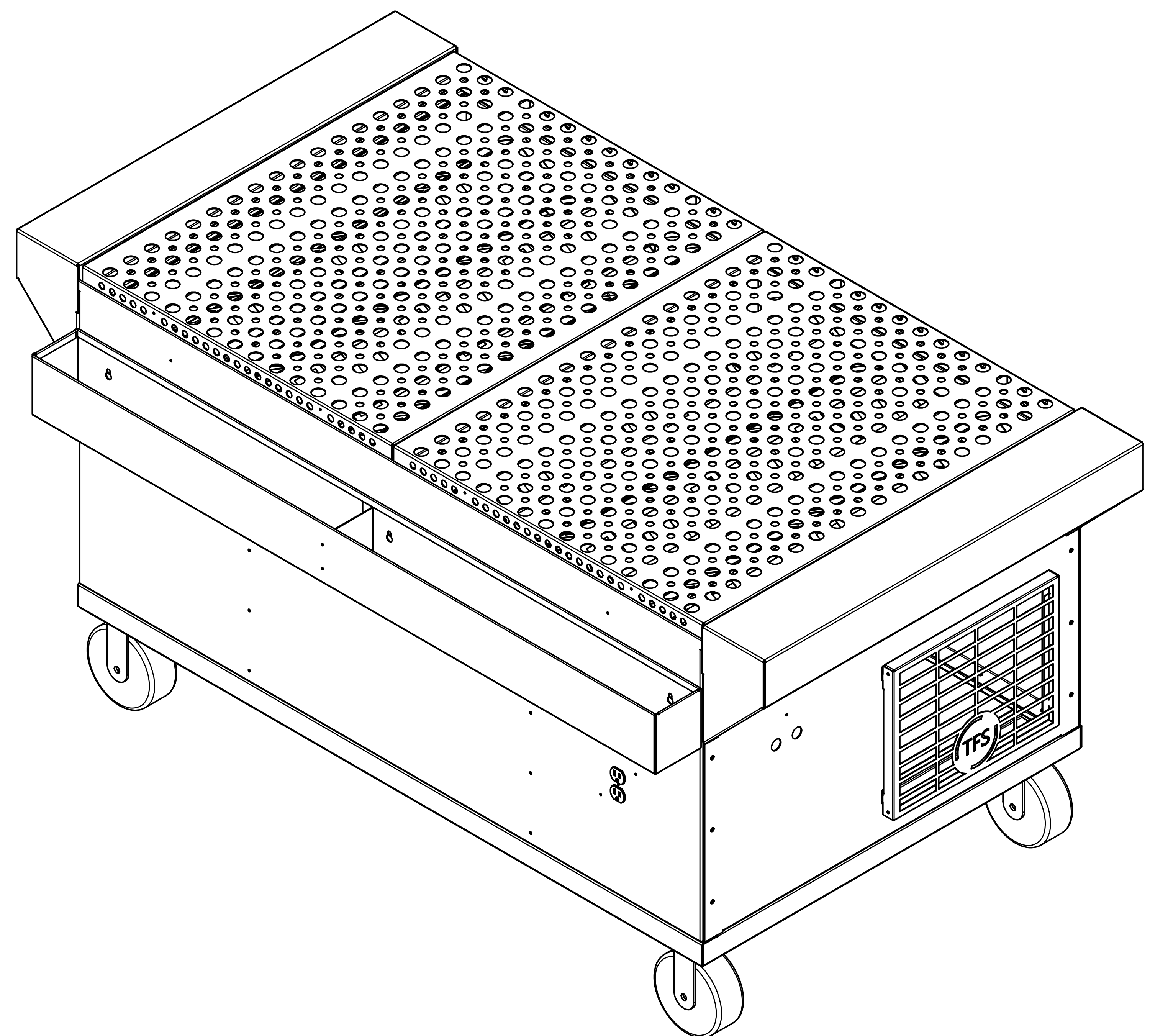


3'-0"
HEIGHT



| | | | |
|-------------------|-----------|--|---------------|
| DRAWN Curtis K | 8/11/2023 | RGI SPRAY BOOTHS | |
| CHECKED | | TITLE | |
| QA | | DOWN DRAFT TABLE 72"W BACK AND SIDE GUARD | |
| MFG | | PART # | DWG NO |
| APPROVED | | | REV |
| | | SCALE 1 / 8 | SHEET 2 OF 31 |

| PARTS LIST | | | |
|------------|-----|---|-------------|
| ITEM | QTY | PART NUMBER | DESCRIPTION |
| DDT2 | 2 | DOWN DRAFT TABLE BASE PANEL END STIFFENING FLANGE 16GA | |
| DDT27 | 1 | DRAFT TABLE FILTER END PANEL LEFT 36_500 X 25_500 | |
| DDT26 | 1 | DRAFT TABLE END PANEL 36_500 X 25_500 | |
| DDT36 | 2 | DOWN DRAFT TABLE BLOWER ANGLE 1 X 1 X 18 | #3747 (1) |
| DDT42 | 1 | DOWN DRAFT TABLE EXHAUST L DIFFUSER | |
| DDT43 | 1 | DOWN DRAFT TABLE BASE PANEL 60 X 36_500 16GA | #3728 (1) |
| DDT44 | 2 | DOWN DRAFT FILTER FRAME MIDDLE CROSS 55_675 X 4_875 | |
| DDT45 | 1 | DRAFT TABLE FRONT SIDE 60X24_500 | #3746 (1) |
| DDT46 | 4 | DRAFT TABLE CASSETTE TOP 36 X 10 | #3745 (2) |
| DDT47 | 4 | DRAFT TABLE CASSETTE FILTER END PANEL 27_340 X 4_650 | |
| DDT48 | 2 | DRAFT TABLE CASSETTE FILTER GRID 27"L | |
| DDT49 | 4 | DRAFT TABLE FILTER CASSETTE ANGLE 36" 63 DEG | |
| DDT50 | 1 | DOWN DRAFT TABLE DIVIDER 36_350 X 14 | |
| DDT51 | 1 | DOWN DRAFT FILTER TABLE DIVIDER 36_350 X 14 | |
| DDT74 | 1 | DRAFT TABLE FRONT SIDE 60X24_500 NO OUTLET | #3752 (1) |
| DDT53 | 2 | DOWN DRAFT FILTER FRAME END CROSS 36_25 X 4_875 | |
| DDT54 | 1 | DOWN DRAFT TABLE BLOWER VENT TUNNEL 5_250"L | |
| DDT56 | 2 | DOWN DRAFT TABLE INSIDE AREA REDUCER 27_750 | |
| DDT75 | 2 | DOWN DRAFT TABLE FLAT TOP EXTENSION 36_500 X 6 | |
| DDT61 | 2 | DOWN DRAFT TABLE PIVOT CUBBIE ANGLE 12" | |
| DDT62 | 1 | DOWN DRAFT TABLE PIVOT CUBIE FRONT 24" X 12" | |
| DDT63 | 1 | DOWN DRAFT TABLE PIVOT CUBIE BACK | |
| DDT64 | 1 | DOWN DRAFT TABLE FRONT DUST PAN | |
| DDT66 | 1 | DOWN DRAFT TABLE PIVOT CUBBIE ANGLE 26 X 1 X 0_500 | |
| DDT71 | 2 | DOWN DRAFT TABLE GRATING TOP 36 X 30 | #3729 (1) |
| DDT72 | 4 | DOWN DRAFT TABLE GRATING STIFFENER BRACKET 35_850 X 1_875 | |
| DDT17 | 4 | DOWN DRAFT TABLE BAFFLE PANEL FILLER TAB | |
| CW1 | 4 | CASTER WHEEL | |
| AF-15 | 1 | AIR FORCE INTAKE GRILL_REV 5 | #3715 (1) |



| | | | |
|-------------------|-----------|--|---------------|
| DRAWN Curtis K | 8/11/2023 | RGI SPRAY BOOTHS | |
| CHECKED | | TITLE | |
| QA | | DOWN DRAFT TABLE 72"W BACK AND SIDE GUARD | |
| MFG | | PART # | DWG NO |
| APPROVED | | | REV |
| | | SCALE 1 / 5 | SHEET 3 OF 31 |

8 7 6 5 4 3 2 1

PARTS LIST

| ITEM | QTY | PART NUMBER | DESCRIPTION |
|-------|-----|---|-------------|
| DDT44 | 1 | DOWN DRAFT FILTER FRAME MIDDLE CROSS 55_675 X 4_875 | |
| DDT45 | 1 | DRAFT TABLE FRONT SIDE 60X24_500 | |

D

D

C

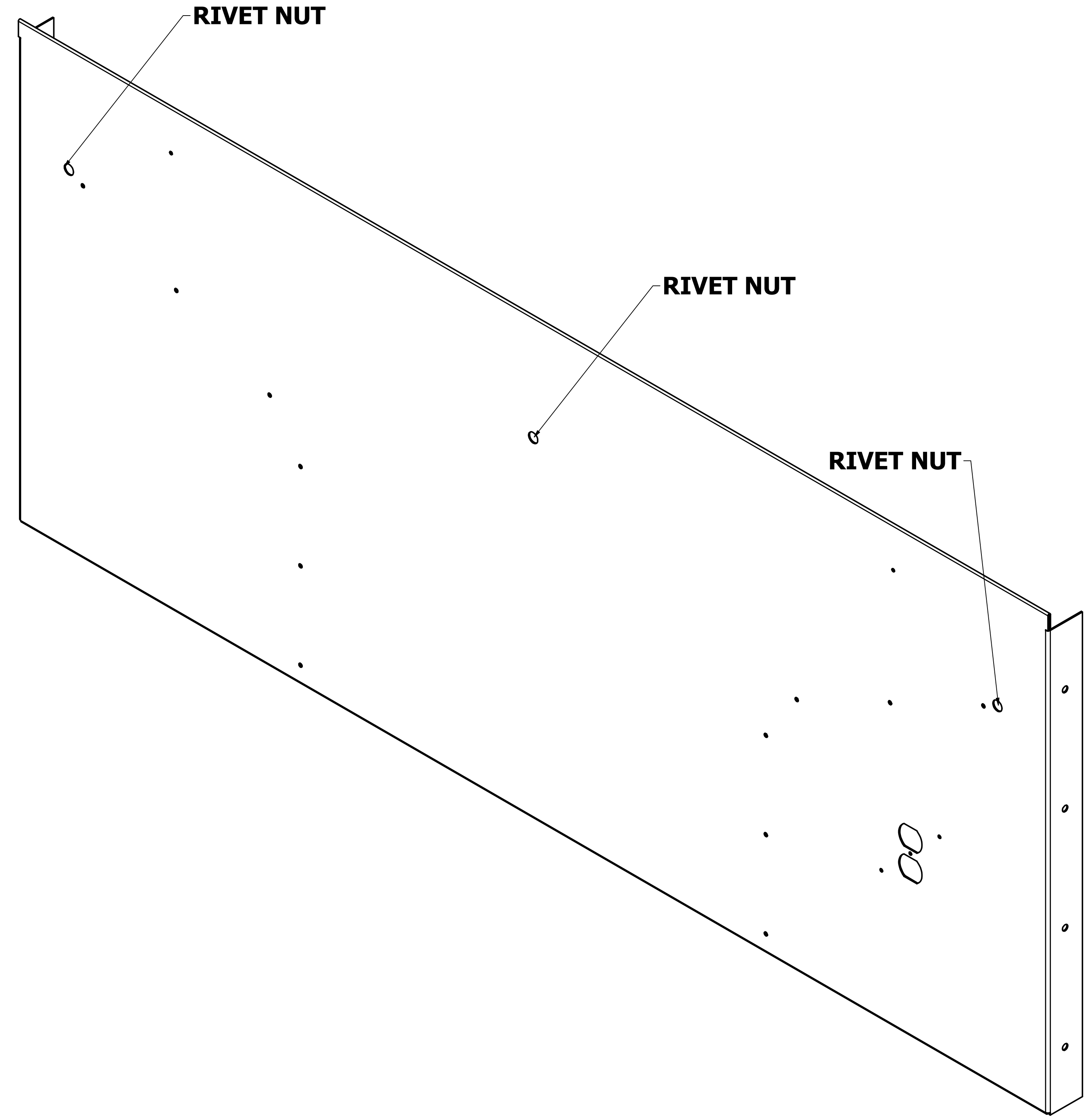
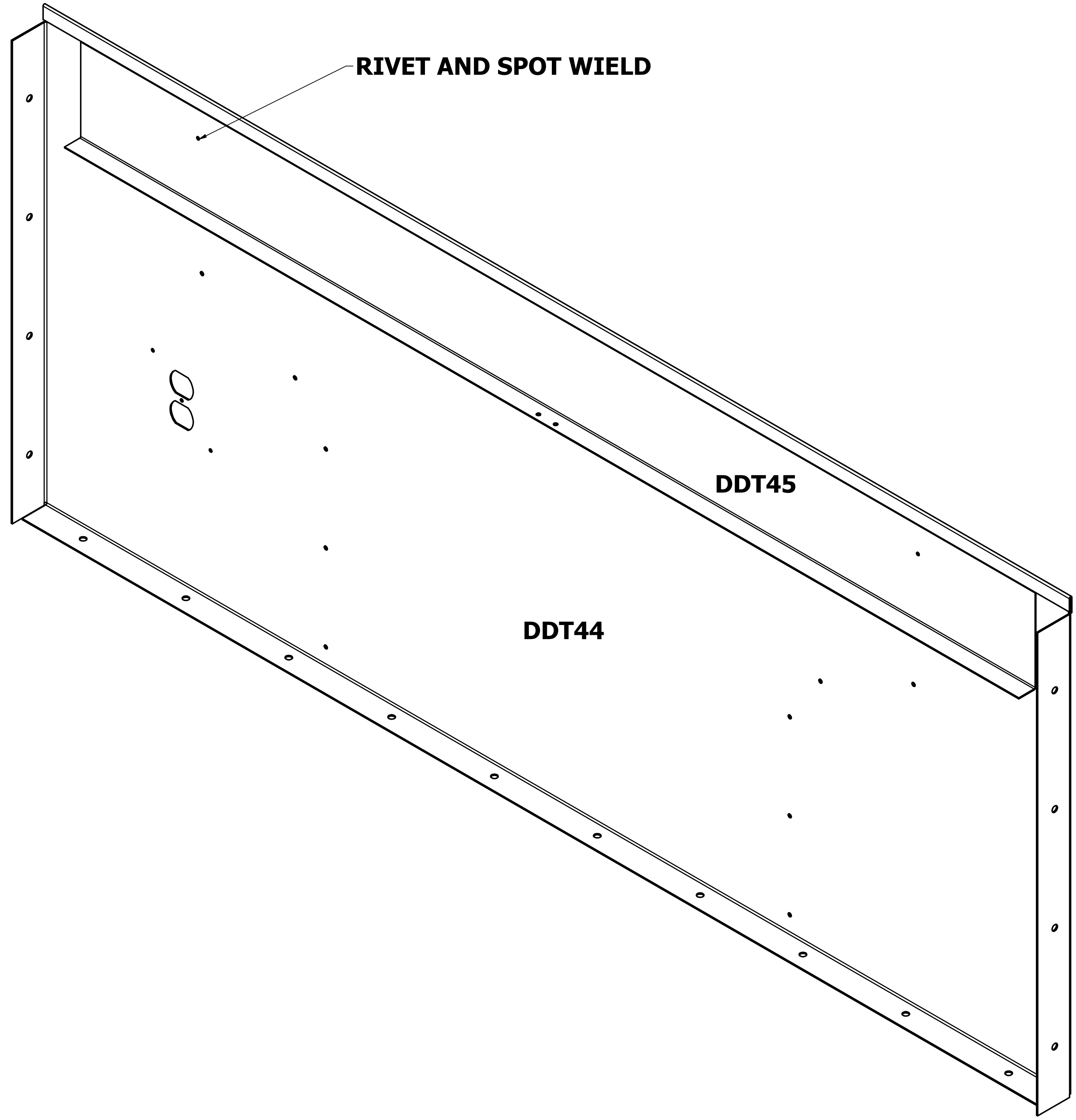
C

B

B

A

A



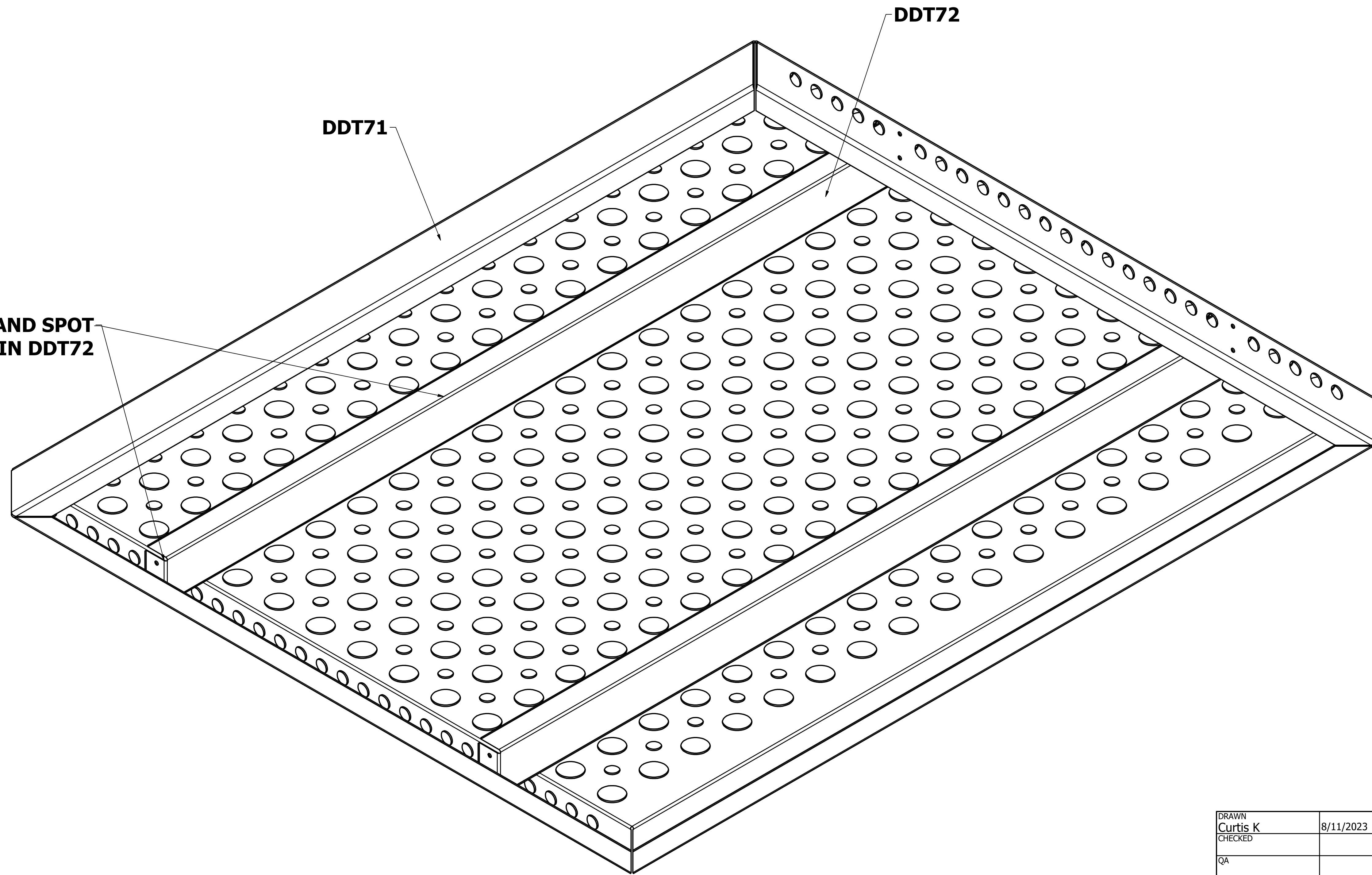
| | | | |
|-------------------|-----------|---|---------------|
| DRAWN Curtis K | 8/11/2023 | RGI SPRAY BOOTHS | |
| CHECKED | | TITLE DOWN DRAFT TABLE FRONT PANEL ASSEMBLY | |
| QA | | PART # | DWG NO |
| MFG | | | |
| APPROVED | | | REV |
| | | SCALE 1 / 3 | SHEET 4 OF 31 |

8 7 6 5 4 3 2 1

8 7 6 5 4 3 2 1

PARTS LIST

| ITEM | QTY | PART NUMBER | DESCRIPTION |
|-------|-----|---|-------------|
| DDT72 | 2 | DOWN DRAFT TABLE GRATING STIFFENER BRACKET 35_850 X 1_875 | |
| DDT71 | 1 | DOWN DRAFT TABLE GRATING TOP 36 X 30 | |



RIVET AND SPOT WIELD IN DDT72

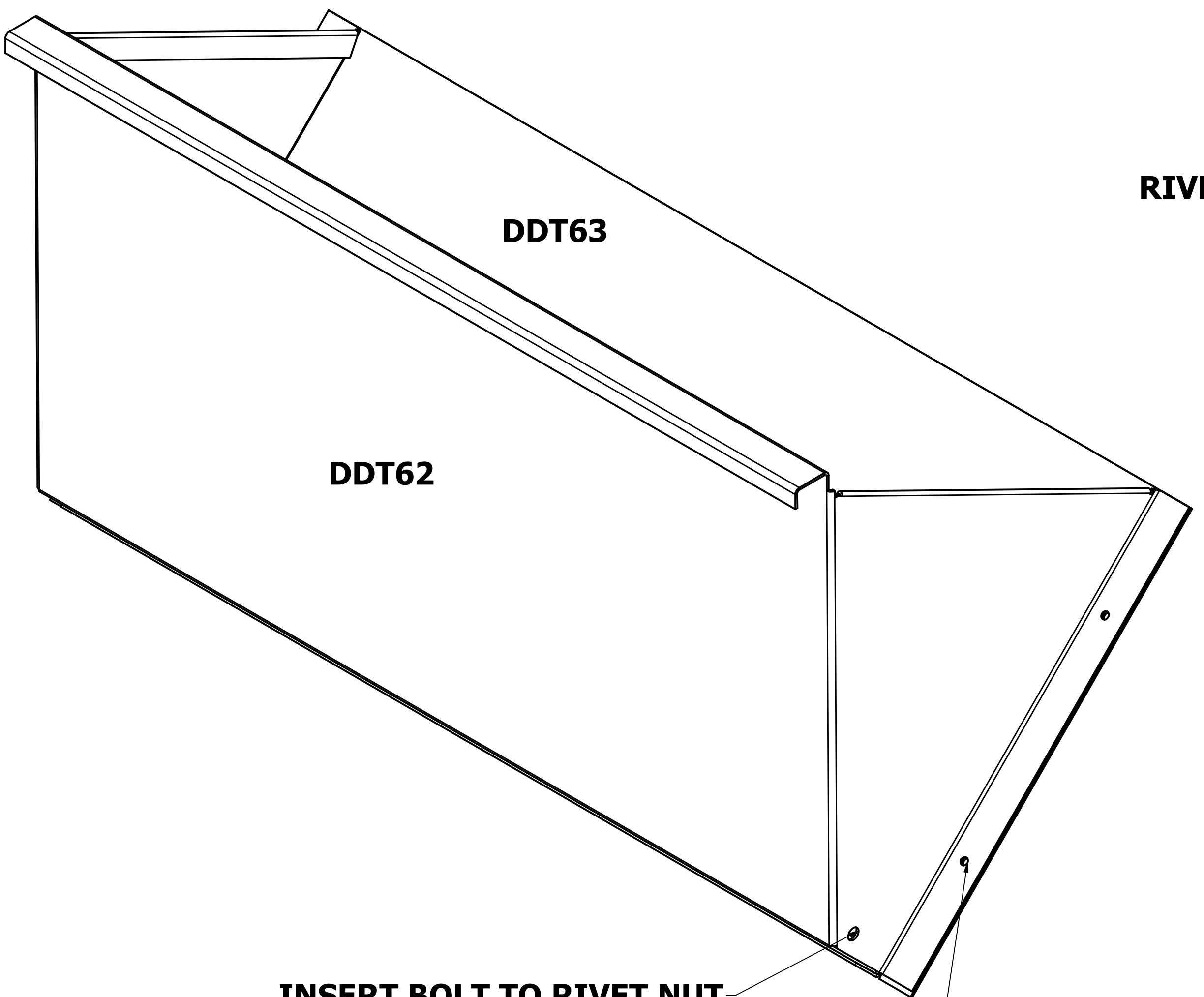
DDT72

DDT71

| | | | |
|-------------------|-----------|---|---------------|
| DRAWN Curtis K | 8/11/2023 | RGI SPRAY BOOTHS | |
| CHECKED | | TITLE DOWN DRAFT TABLE GRATING ASSEMBLY | |
| QA | | PART # | DWG NO |
| MFG | | DOWN DRAFT TABLE 72"W FLAT TO | REV |
| APPROVED | | SCALE 1 / 2 | SHEET 5 OF 31 |

8 7 6 5 4 4 3 2 1

| PARTS LIST | | | |
|------------|-----|--|-------------|
| ITEM | QTY | PART NUMBER | DESCRIPTION |
| DDT26 | 1 | DRAFT TABLE END PANEL 36_500 X 25_500 | |
| DDT61 | 2 | DOWN DRAFT TABLE PIVOT CUBBIE ANGLE 12" | |
| DDT62 | 1 | DOWN DRAFT TABLE PIVOT CUBIE FRONT 24" X 12" | |
| DDT63 | 1 | DOWN DRAFT TABLE PIVOT CUBIE BACK | |
| DDT66 | 1 | DOWN DRAFT TABLE PIVOT CUBBIE ANGLE 26 X 1 X 0_500 | |

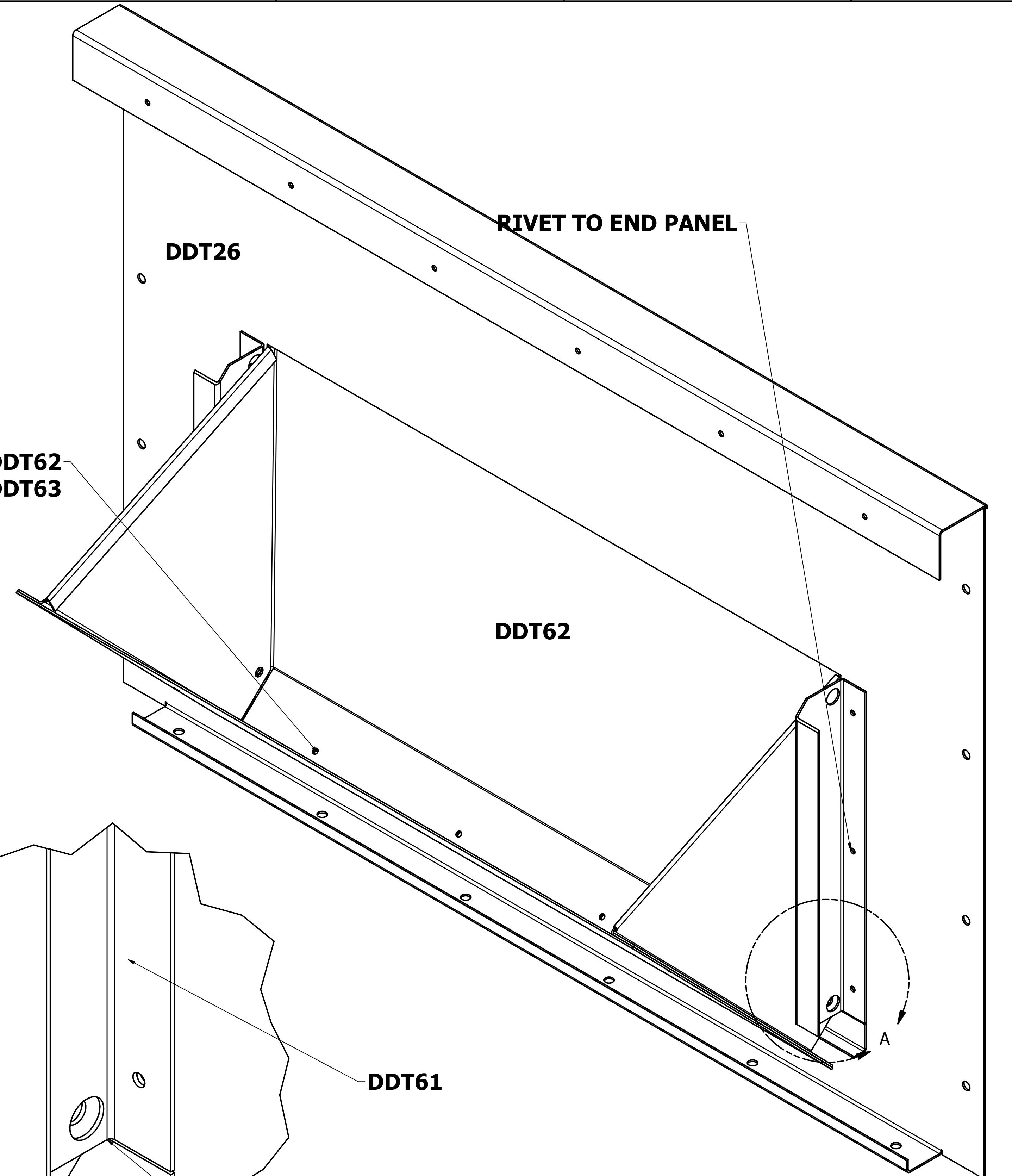
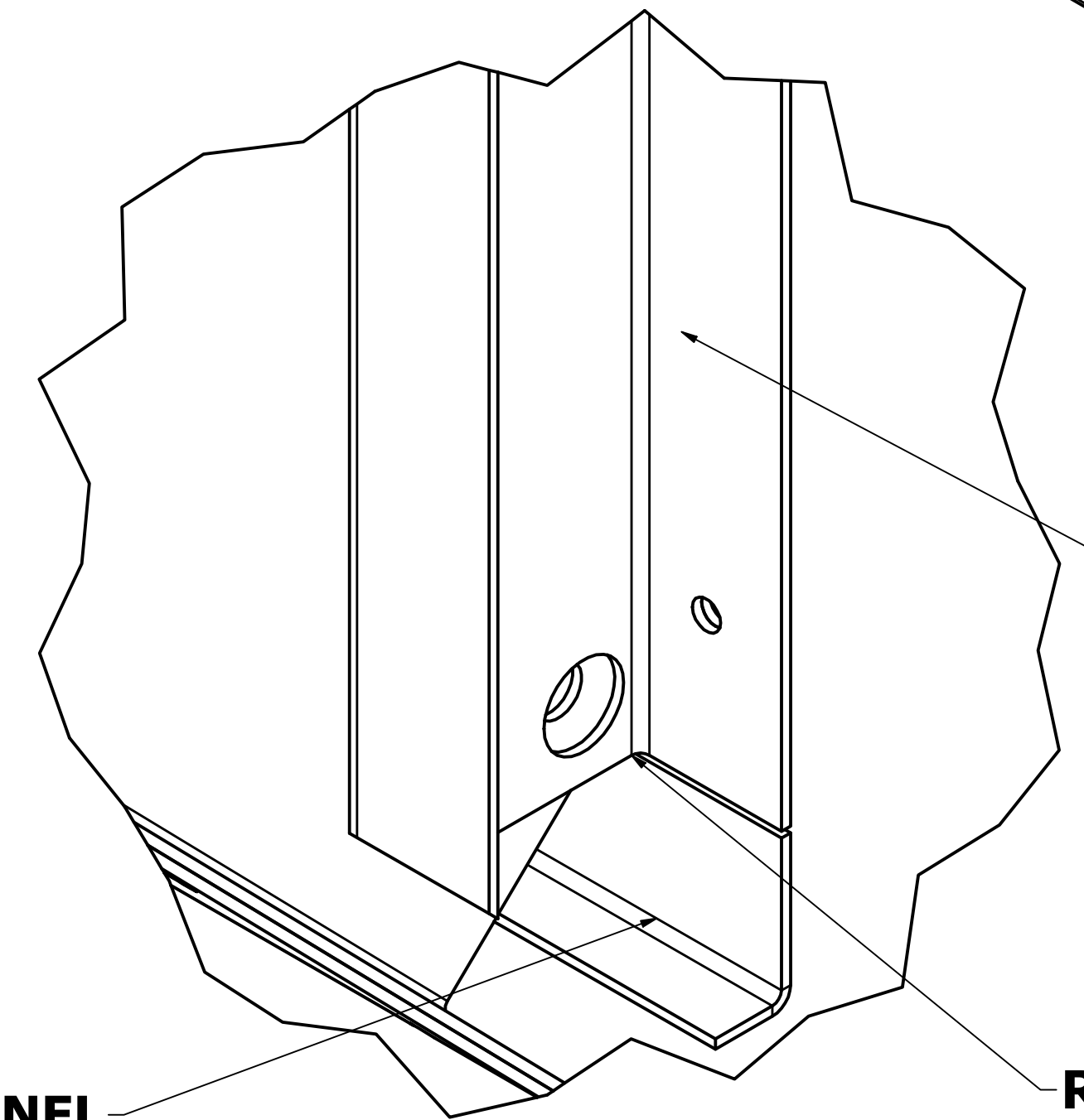


RIVET BOTTOM OF DDT62 AND DDT63

INSERT BOLT TO RIVET NUT

RIVET DDT62 AND DDT63

DDT66 SPOT WIELD TO BOTTOM OF END PANEL

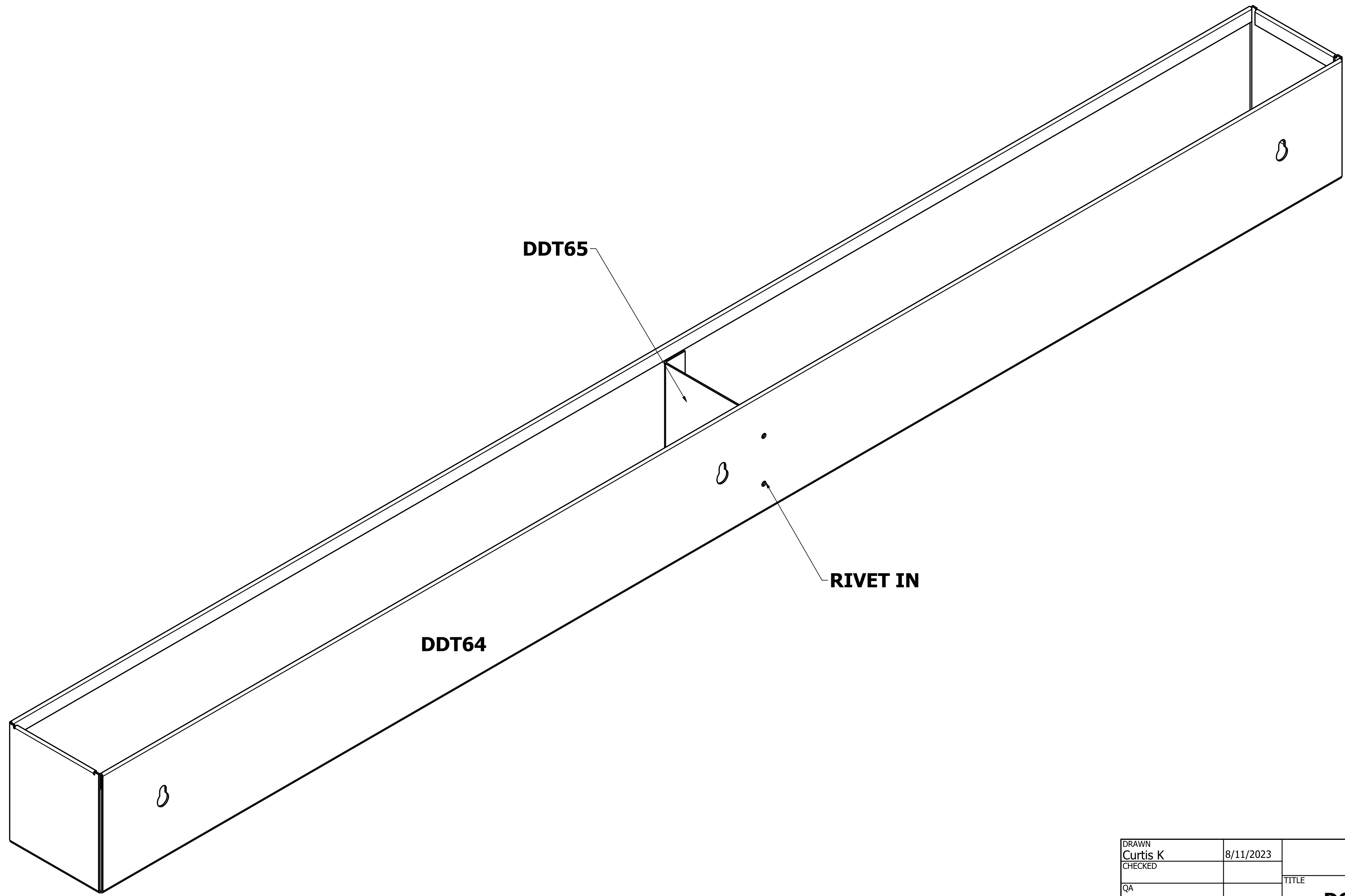


| | | | |
|-------------------|-----------|---|---------------|
| DRAWN Curtis K | 8/11/2023 | RGI SPRAY BOOTHS | |
| CHECKED | | TITLE | |
| QA | | DOWN DRAFT TABLE CUBBIE PANEL ASSEMBLY | |
| MFG | | PART # | DWG NO |
| APPROVED | | DOWN DRAFT TABLE 72"W FLAT TO | |
| | | SCALE 1 / 2 | SHEET 6 OF 31 |

8 7 6 5 4 3 2 1

PARTS LIST

| ITEM | QTY | PART NUMBER | DESCRIPTION |
|-------|-----|---|-------------|
| DDT64 | 1 | DOWN DRAFT TABLE FRONT DUST PAN | |
| DDT65 | 1 | DOWN DRAFT TABLE FRONT DUCT PAN SUPPORT ANGLE | |



D

D

C

C

B

B

A

A

8 7 6 5 4 3 2 1

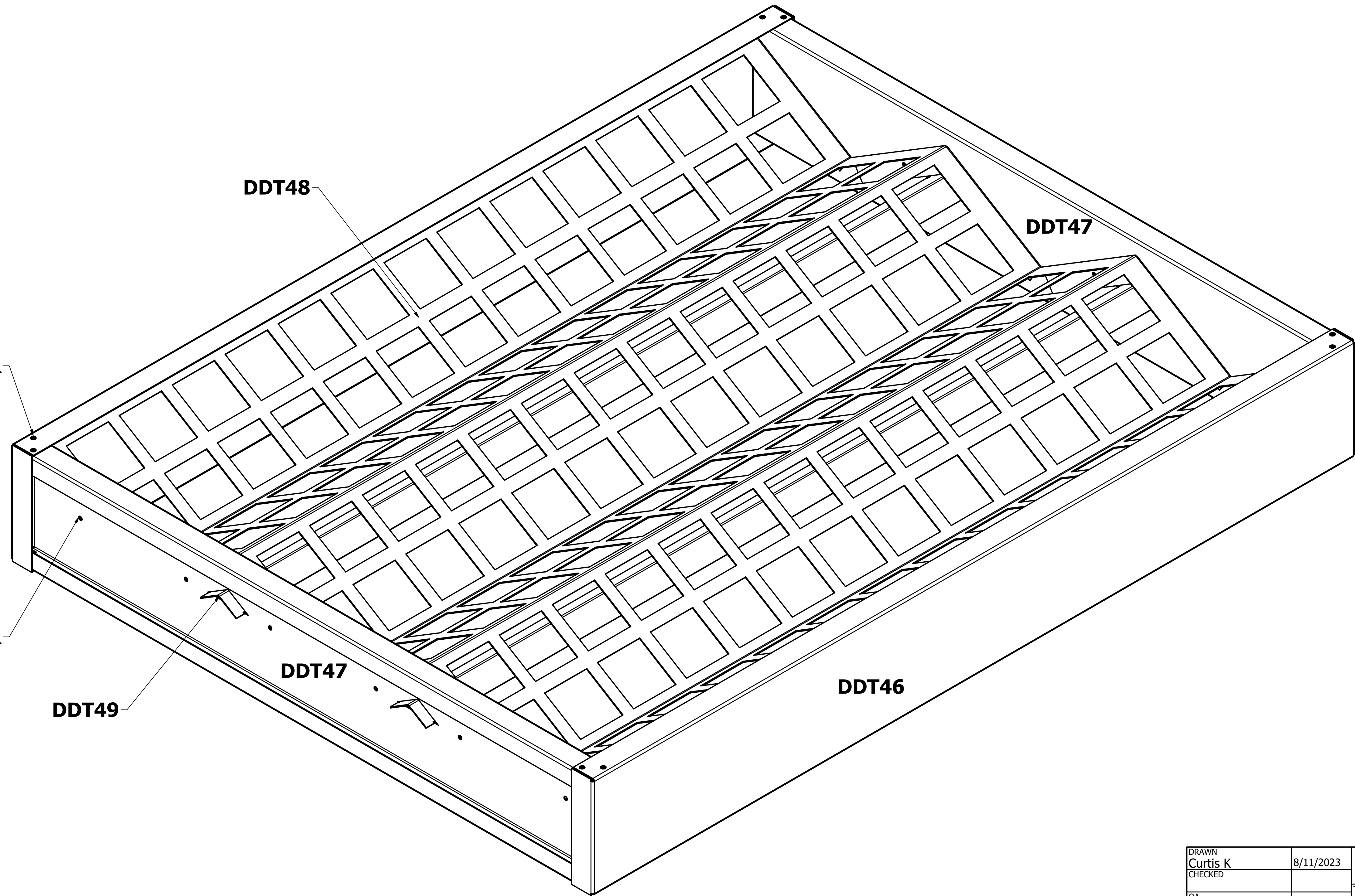
| | | | |
|-------------------|-----------|---|---------------|
| DRAWN Curtis K | 8/11/2023 | RGI SPRAY BOOTHS | |
| CHECKED | | TITLE | |
| QA | | DOWN DRAFT TABLE DUST PAN ASSEMBLY | |
| MFG | | PART # | DWG NO |
| APPROVED | | | REV |
| | | SCALE 1 / 2 | SHEET 7 OF 31 |

FLAT TO

8 7 6 5 4 3 2 1

PARTS LIST

| ITEM | QTY | PART NUMBER | DESCRIPTION |
|-------|-----|--|-------------|
| DDT46 | 2 | DRAFT TABLE CASSETTE TOP 36 X 10 | |
| DDT47 | 2 | DRAFT TABLE CASSETTE FILTER END PANEL 27_340 X 4_650 | |
| DDT48 | 1 | DRAFT TABLE CASSETTE FILTER GRID 27"L | |
| DDT49 | 2 | DRAFT TABLE FILTER CASSETTE ANGLE 36" 63 DEG | |



D

D

C

C

B

B

A

A

8 7 6 5 4 4 3 2 1

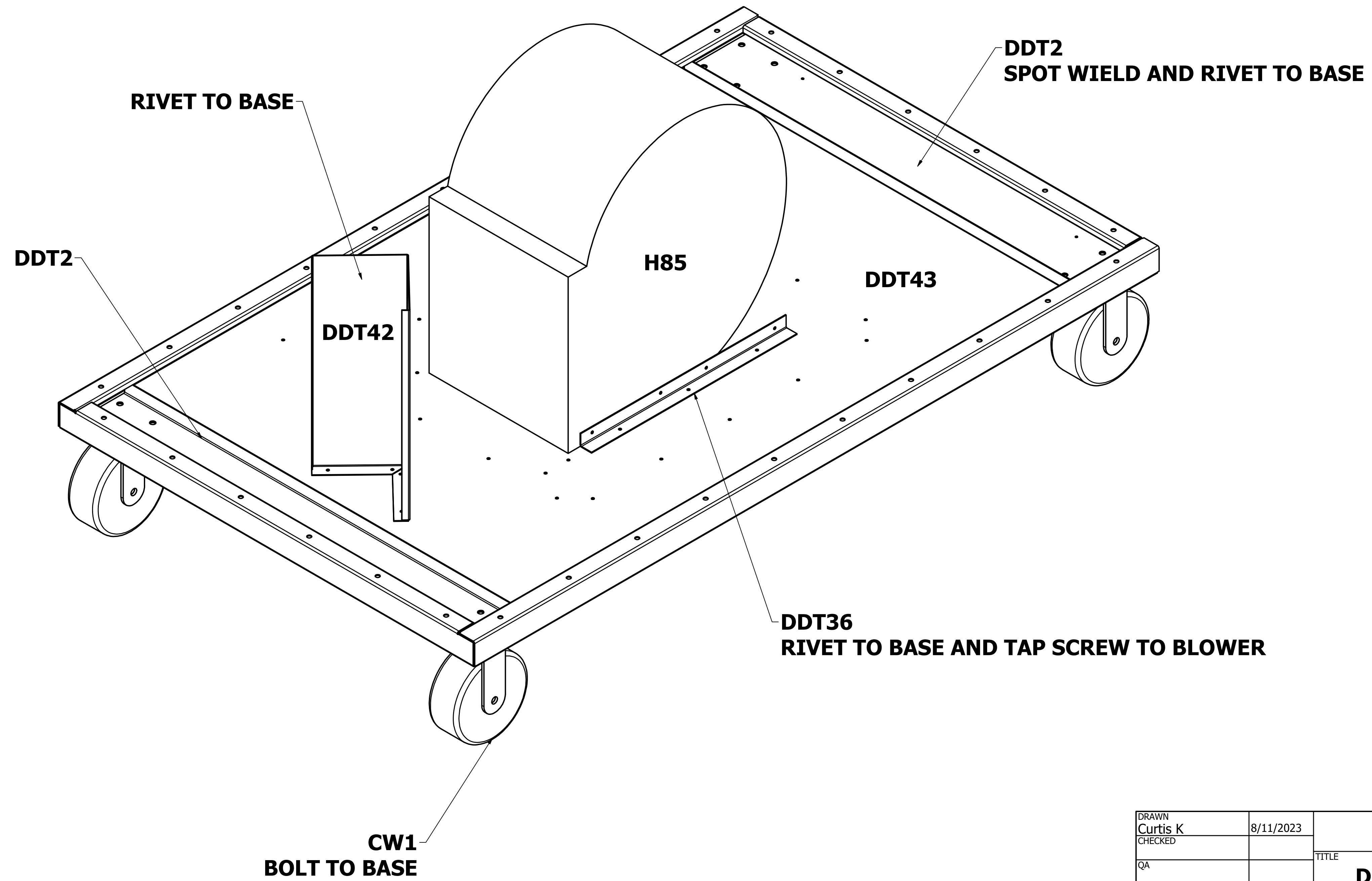
| | | | |
|-------------------|-----------|--|---------------|
| DRAWN Curtis K | 8/11/2023 | RGI SPRAY BOOTHS | |
| CHECKED | | TITLE | |
| QA | | DOWN DRAFT TABLE CASSETTE FILTER ASSEMBLY | |
| MFG | | PART # | DWG NO |
| APPROVED | | | REV |
| | | SCALE 1 / 2 | SHEET 8 OF 31 |

FLAT TO

8 7 6 5 4 3 2 1

PARTS LIST

| ITEM | QTY | PART NUMBER | DESCRIPTION |
|-------|-----|--|-------------|
| DDT2 | 2 | DOWN DRAFT TABLE BASE PANEL END STIFFENING FLANGE 16GA | |
| CW1 | 4 | CASTER WHEEL | |
| DDT43 | 1 | DOWN DRAFT TABLE BASE PANEL 60 X 36_500 16GA | |
| H85 | 1 | 1XJY3 DAYTON BLOWER | |
| DDT36 | 2 | DOWN DRAFT TABLE BLOWER ANGLE 1 X 1 X 18 | |
| DDT42 | 1 | DOWN DRAFT TABLE EXHAUST L DIFFUSER | |



| | | | |
|-------------------|-----------|---|--------|
| DRAWN Curtis K | 8/11/2023 | RGI SPRAY BOOTHS | |
| CHECKED | | TITLE DOWN DRAFT TABLE ASSEMBLY 1 | |
| QA | | PART # | DWG NO |
| MFG | | DOWN DRAFT TABLE 72"W FLAT TO | |
| APPROVED | | SCALE 1 / 4 | REV |
| | | SHEET 9 OF 31 | |

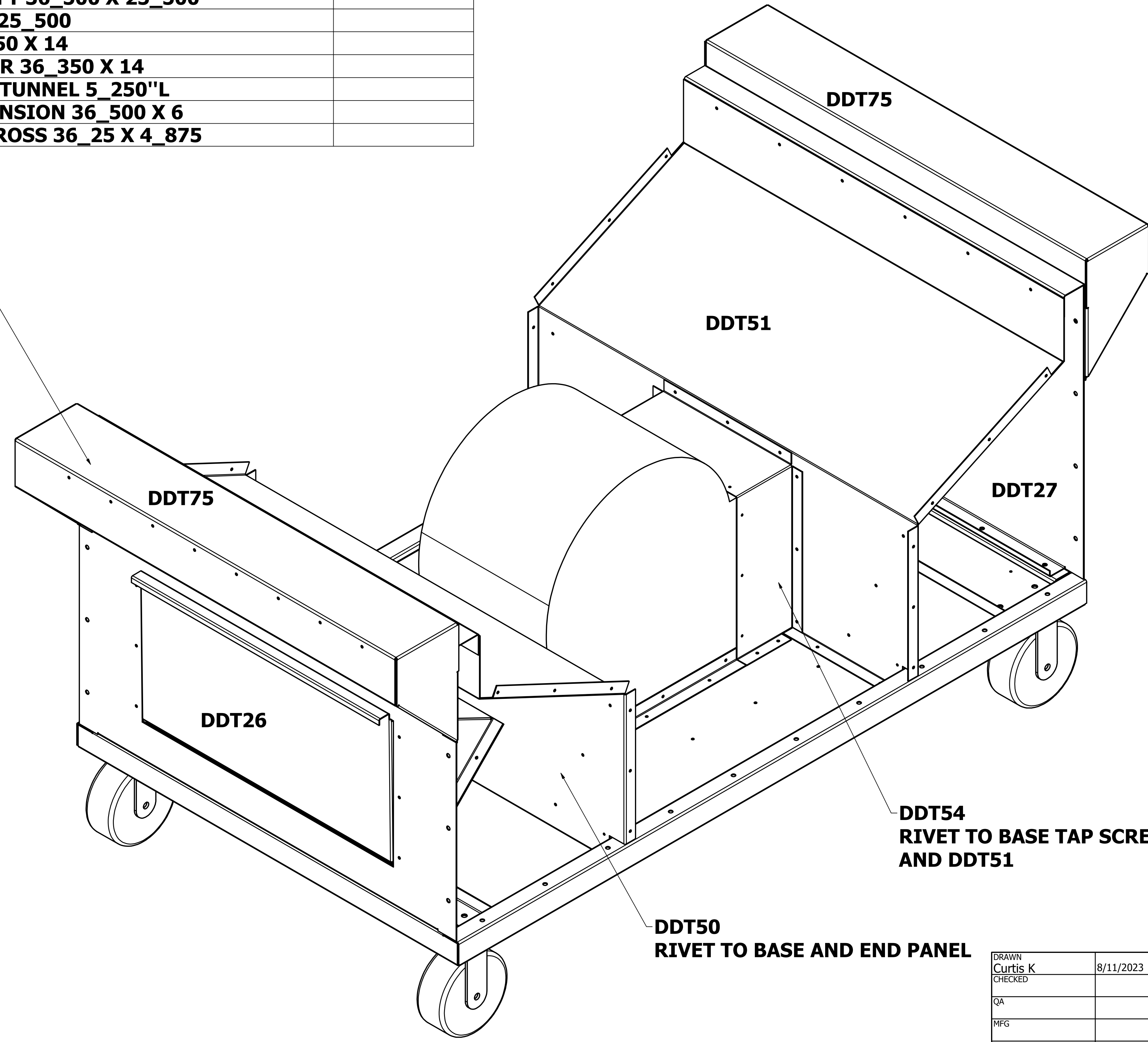
8 7 6 5 4 3 2 1

8 7 6 5 4 3 2 1

PARTS LIST

| ITEM | QTY | PART NUMBER | DESCRIPTION |
|-------|-----|---|-------------|
| DDT27 | 1 | DRAFT TABLE FILTER END PANEL LEFT 36_500 X 25_500 | |
| DDT26 | 1 | DRAFT TABLE END PANEL 36_500 X 25_500 | |
| DDT50 | 1 | DOWN DRAFT TABLE DIVIDER 36_350 X 14 | |
| DDT51 | 1 | DOWN DRAFT FILTER TABLE DIVIDER 36_350 X 14 | |
| DDT54 | 1 | DOWN DRAFT TABLE BLOWER VENT TUNNEL 5_250"L | |
| DDT75 | 1 | DOWN DRAFT TABLE FLAT TOP EXTENSION 36_500 X 6 | |
| DDT53 | 4 | DOWN DRAFT FILTER FRAME END CROSS 36_25 X 4_875 | |

**BOLT DDT58 TO END PANEL
NOTE: BOLT ON BEFORE DDT50**



**DDT54
RIVET TO BASE TAP SCREW TO BLOWER
AND DDT51**

**DDT50
RIVET TO BASE AND END PANEL**

| | | | |
|-------------------|-----------|---|--------|
| DRAWN Curtis K | 8/11/2023 | RGI SPRAY BOOTHS | |
| CHECKED | | TITLE DOWN DRAFT TABLE ASSEMBLY 2 | |
| QA | | PART # | DWG NO |
| MFG | | | REV |
| APPROVED | | SCALE 1 / 4 | |
| | | SHEET 10 OF 31 | |

8 7 6 5 4 4 3 2 1

D

D

C

C

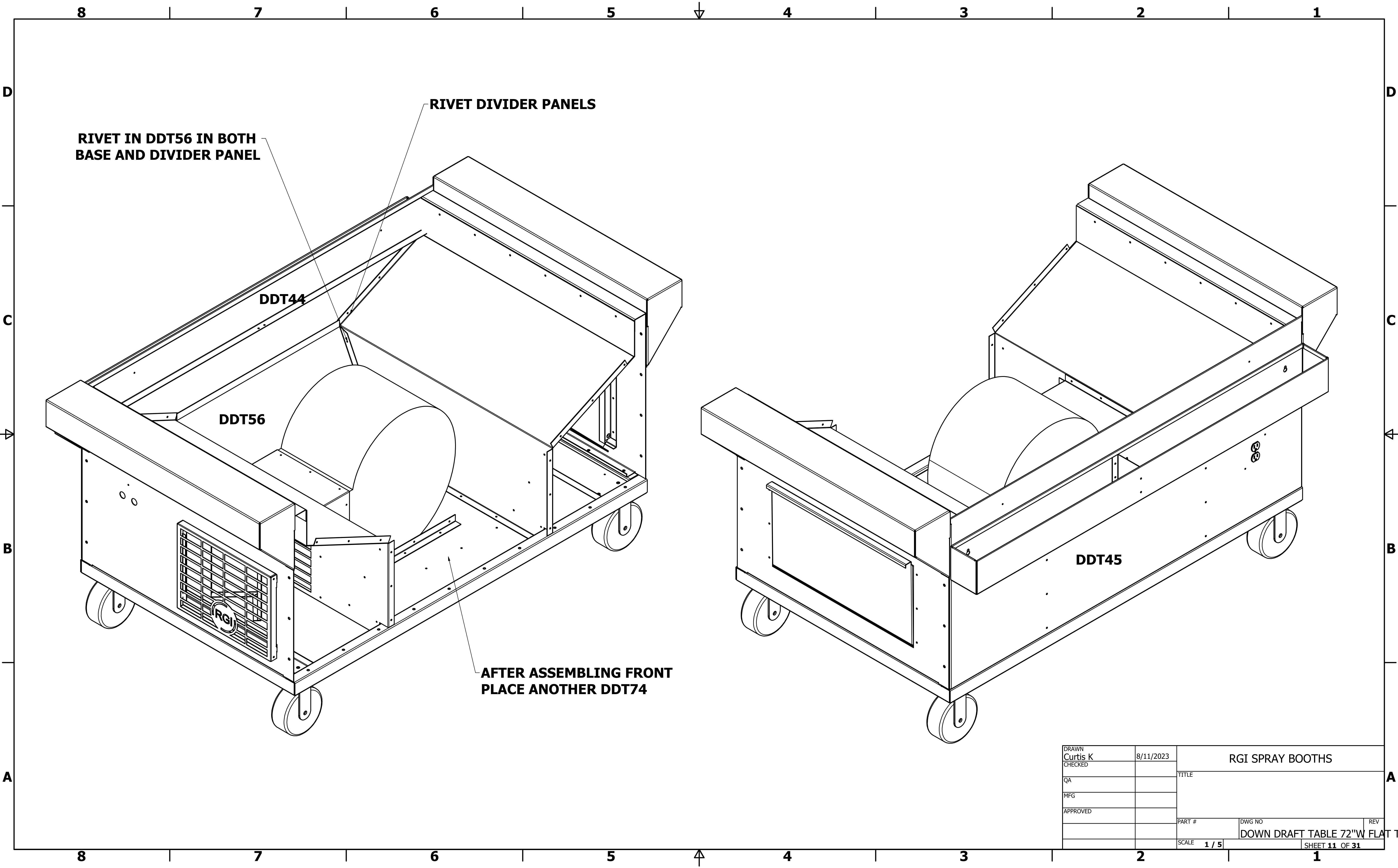
B

B

A

A

T



**RIVET IN DDT56 IN BOTH
BASE AND DIVIDER PANEL**

RIVET DIVIDER PANELS

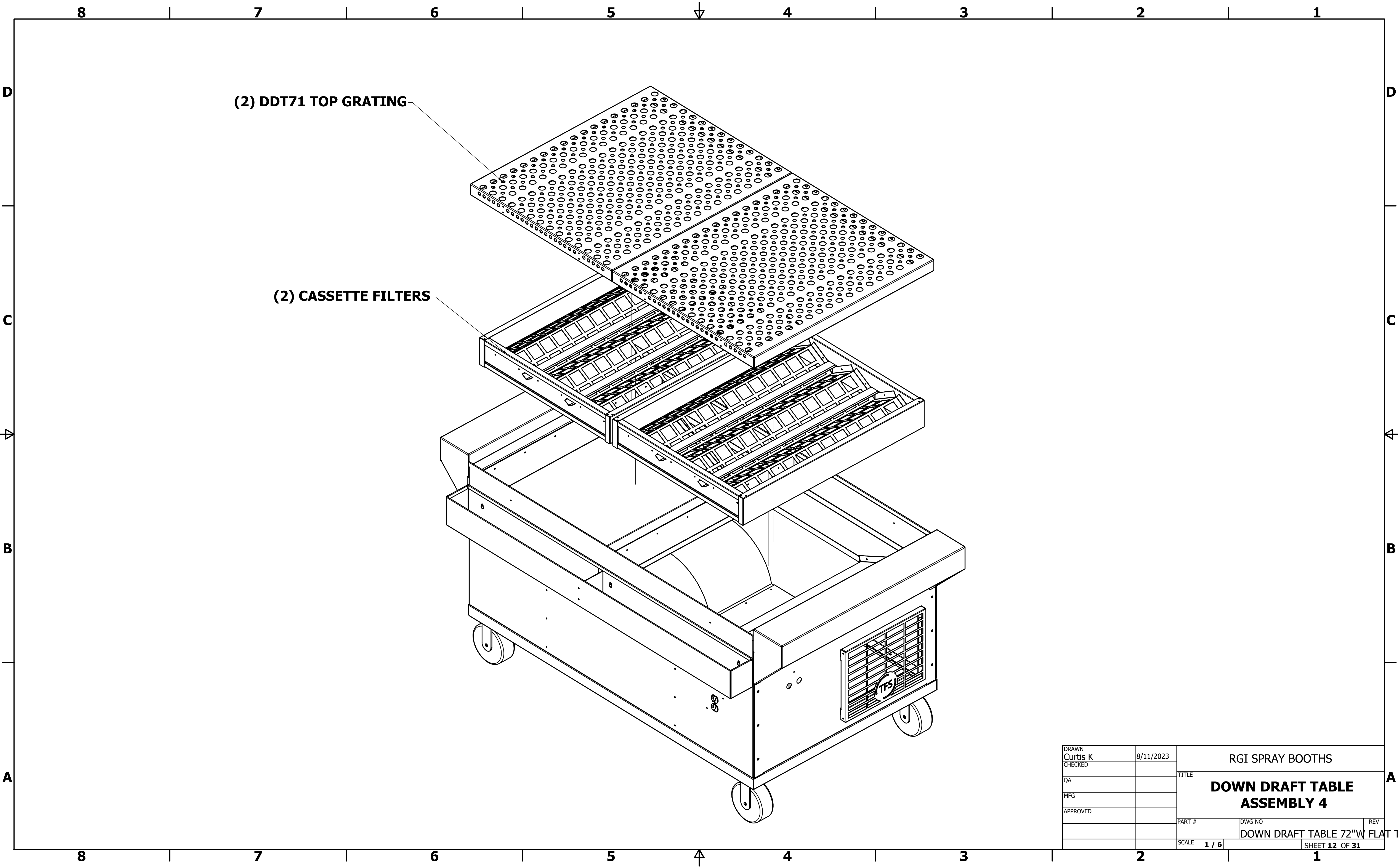
DDT44

DDT56

**AFTER ASSEMBLING FRONT
PLACE ANOTHER DDT74**

DDT45

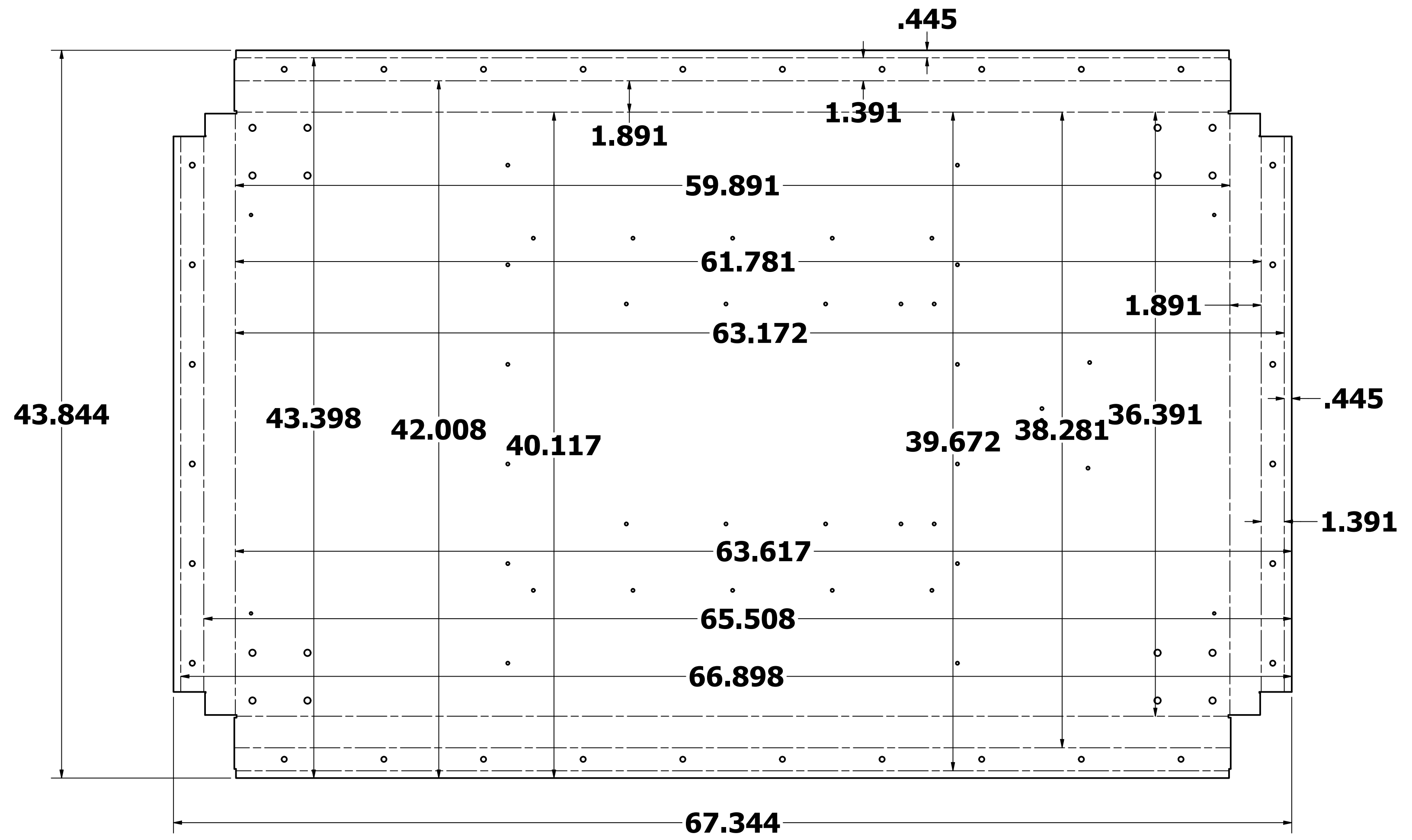
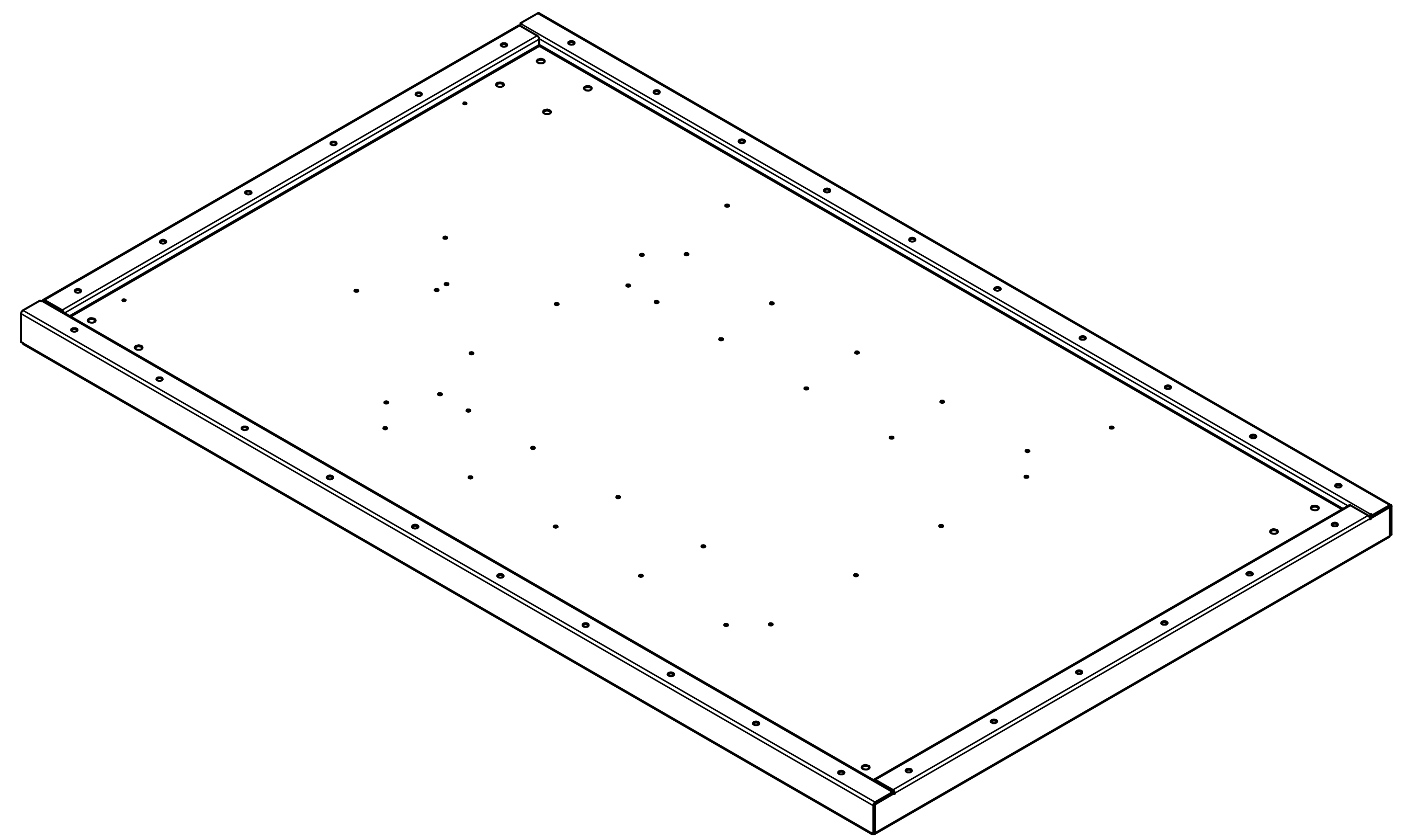
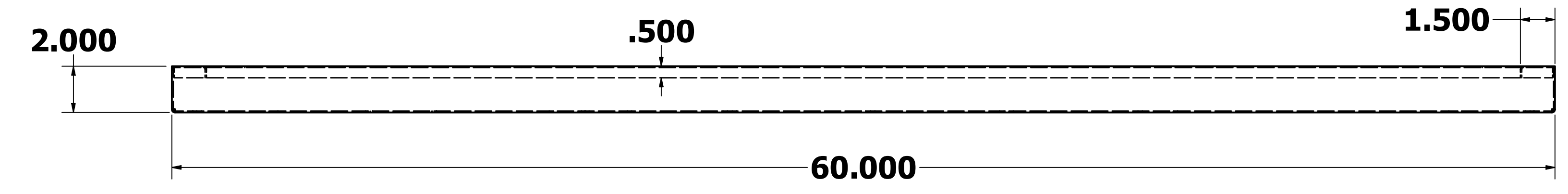
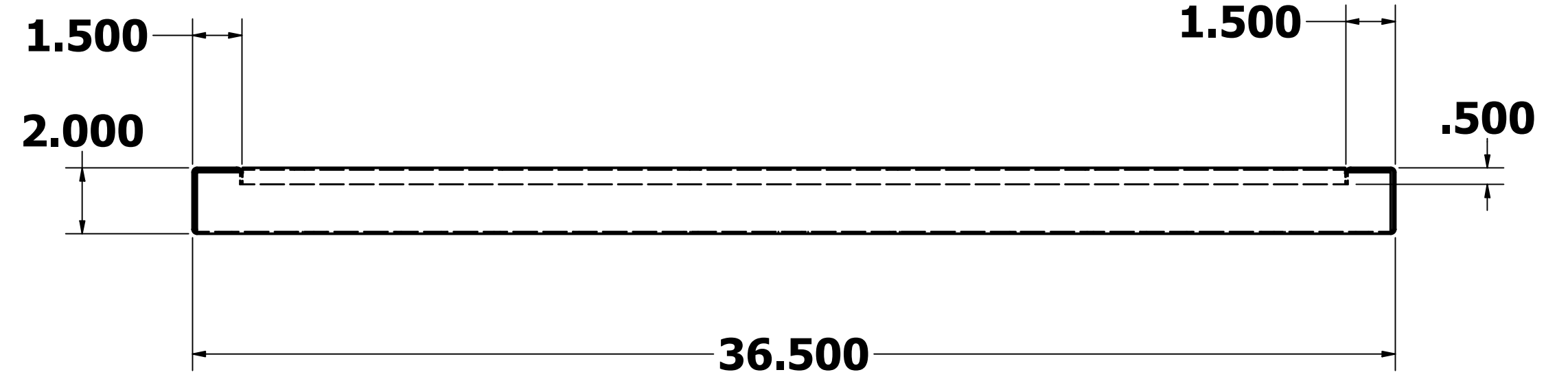
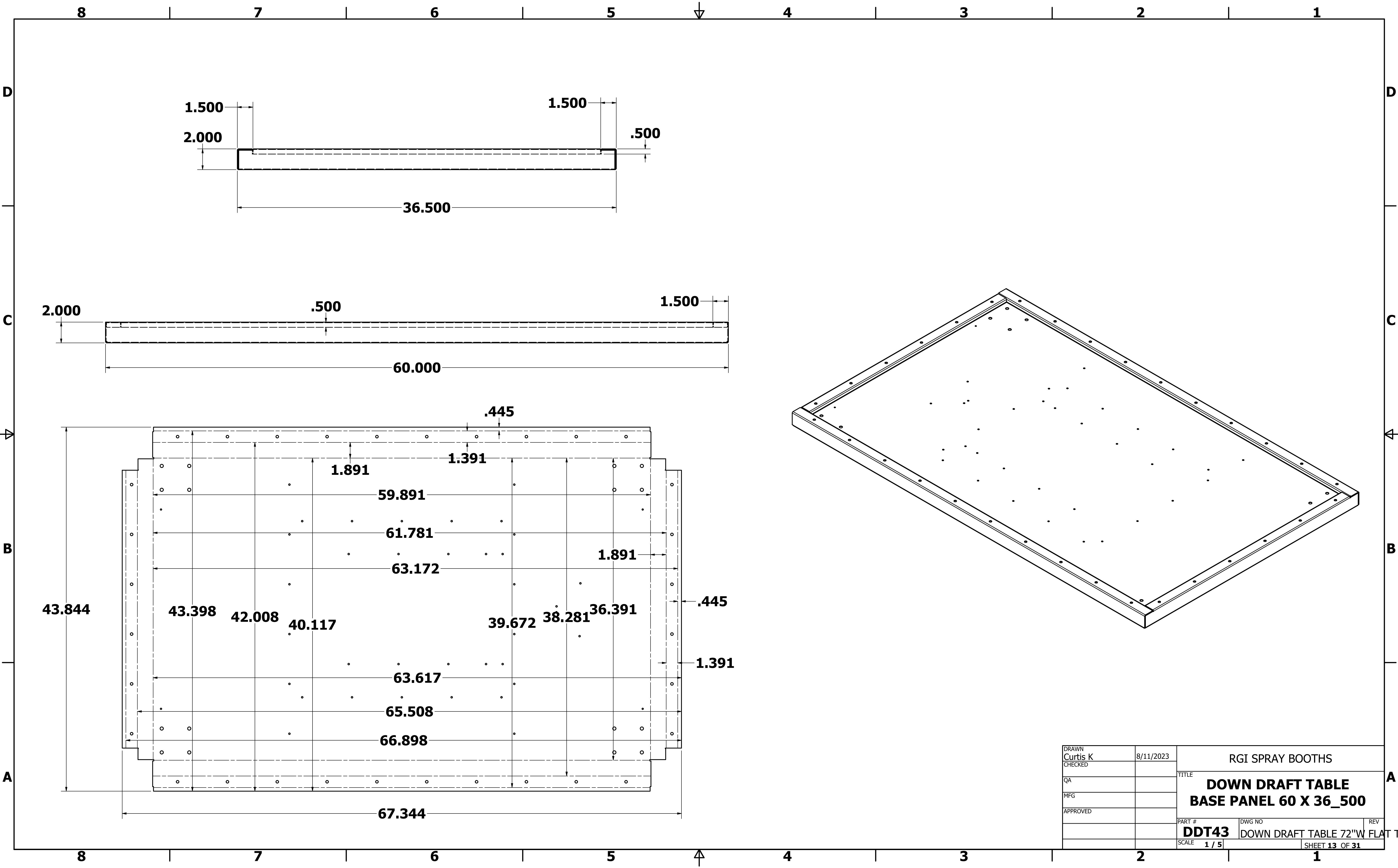
| | | | | |
|-------------------|-----------|--------------------------------|----------------|-----|
| DRAWN Curtis K | 8/11/2023 | RGI SPRAY BOOTHS | | |
| CHECKED | | TITLE | | |
| QA | | | | |
| MFG | | | | |
| APPROVED | | PART # | DWG NO | REV |
| | | DOWN DRAFT TABLE 72"W FLAT TOP | | |
| | | SCALE 1 / 5 | SHEET 11 OF 31 | |



(2) DDT71 TOP GRATING

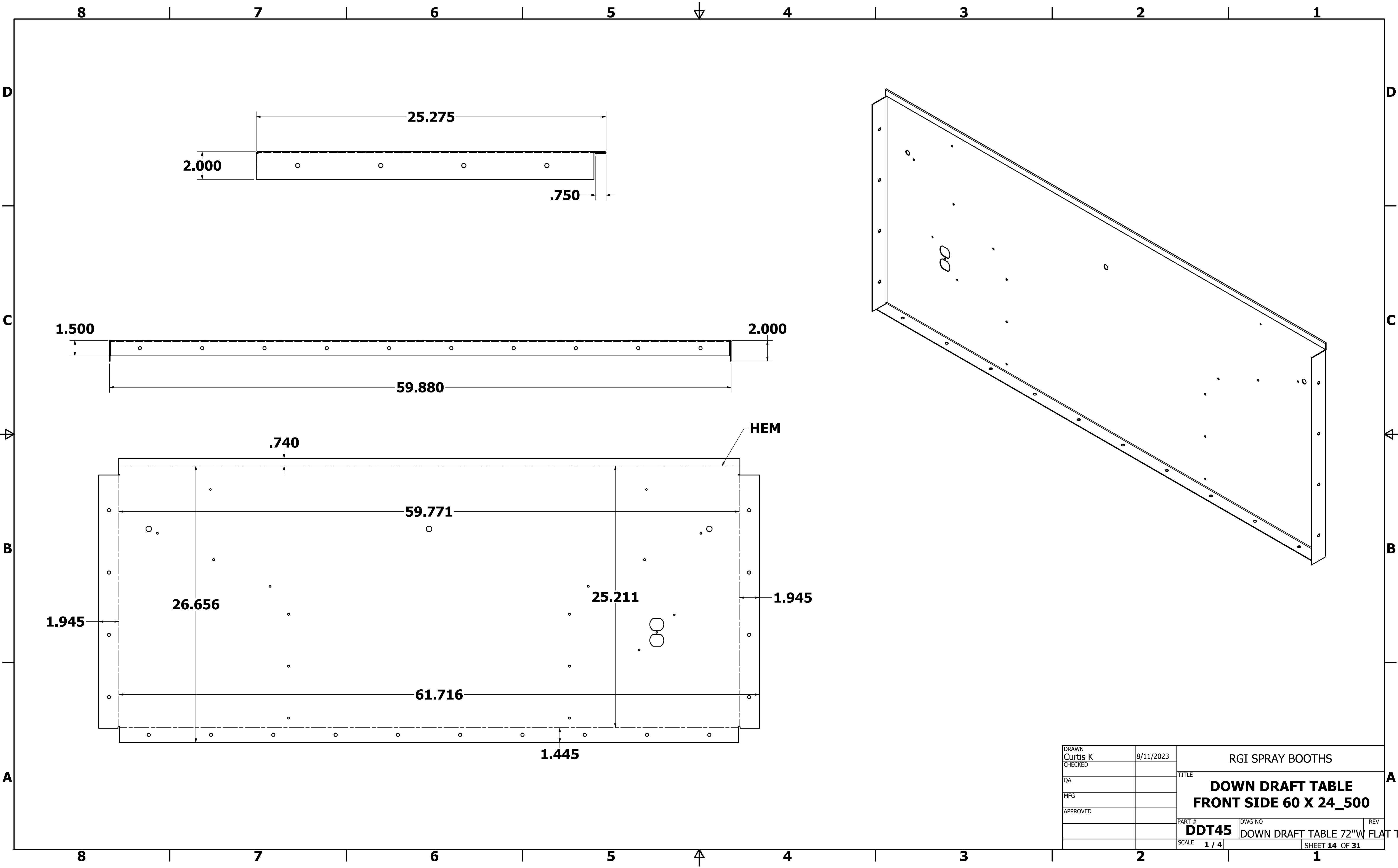
(2) CASSETTE FILTERS

| | | | |
|-------------------|-----------|--|----------------|
| DRAWN Curtis K | 8/11/2023 | RGI SPRAY BOOTHS | |
| CHECKED | | TITLE | |
| QA | | DOWN DRAFT TABLE ASSEMBLY 4 | |
| MFG | | | |
| APPROVED | | PART # | DWG NO |
| | | DOWN DRAFT TABLE 72"W FLAT TOP | |
| | | SCALE 1 / 6 | SHEET 12 OF 31 |



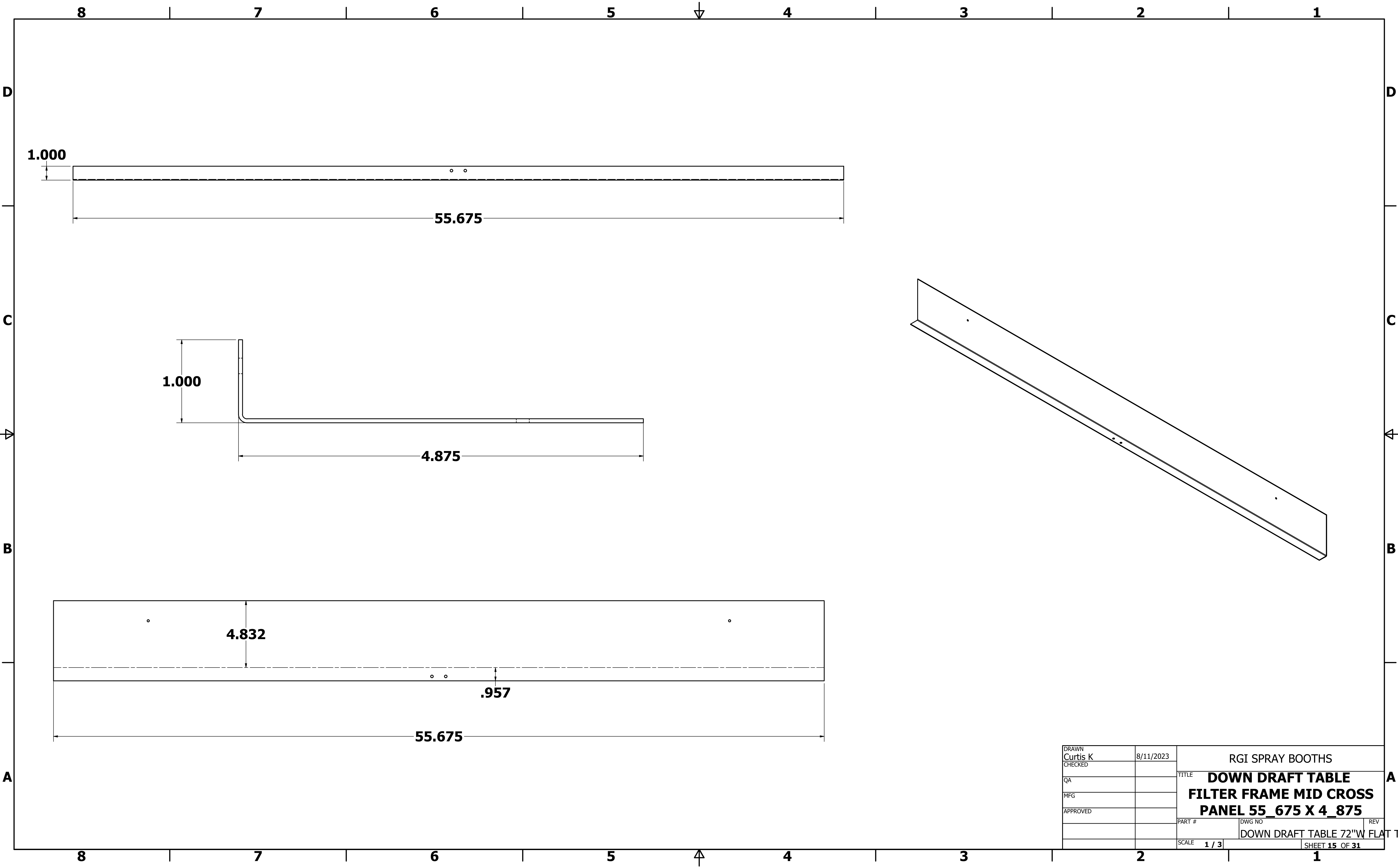
| | | | |
|-------------------|-----------|---|-------------------------------|
| DRAWN Curtis K | 8/11/2023 | RGI SPRAY BOOTHS | |
| CHECKED | | TITLE DOWN DRAFT TABLE BASE PANEL 60 X 36_500 | |
| QA | | PART # | DWG NO |
| MFG | | DDT43 | DOWN DRAFT TABLE 72"W FLAT TO |
| APPROVED | | SCALE | REV |
| | | 1 / 5 | SHEET 13 OF 31 |

#3728 - 121 X 48 - 16G GALVANIZED STEEL



#3746 - 121 X 48 - 16G GALVANIZED STEEL

| | | | |
|-------------------|-----------|--|-------------------------------|
| DRAWN Curtis K | 8/11/2023 | RGI SPRAY BOOTHS | |
| CHECKED | | TITLE | |
| QA | | DOWN DRAFT TABLE FRONT SIDE 60 X 24_500 | |
| MFG | | PART # | DWG NO |
| APPROVED | | DDT45 | DOWN DRAFT TABLE 72"W FLAT TO |
| | | SCALE 1 / 4 | SHEET 14 OF 31 |



1.000

55.675

1.000

4.875

4.832

.957

55.675

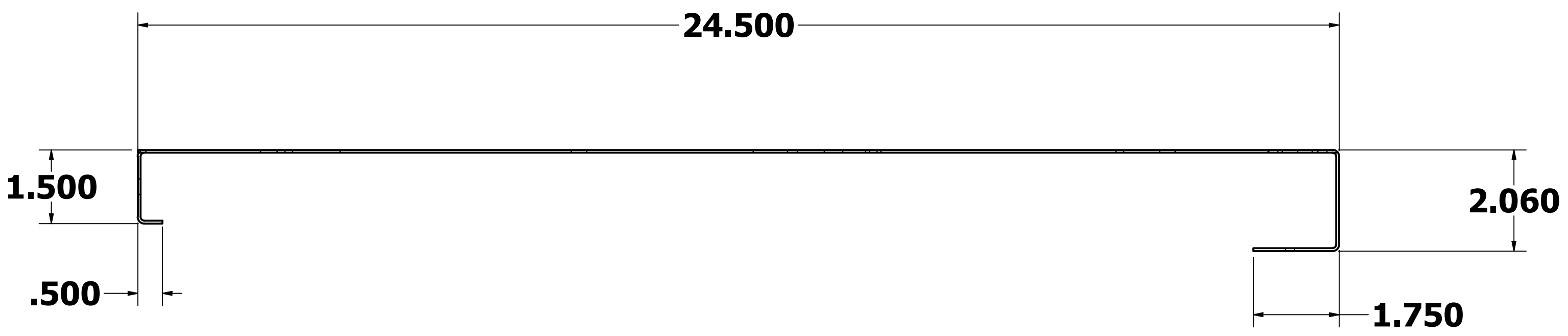
| | | | |
|-------------------|-----------|---|--------|
| DRAWN Curtis K | 8/11/2023 | RGI SPRAY BOOTHS | |
| CHECKED | | TITLE DOWN DRAFT TABLE FILTER FRAME MID CROSS PANEL 55_675 X 4_875 | |
| QA | | PART # | DWG NO |
| MFG | | DOWN DRAFT TABLE 72"W FLAT TO | |
| APPROVED | | SCALE 1 / 3 | REV |
| | | SHEET 15 OF 31 | |

#3747 - 144 X 48 - 18G GALVANIZED STEEL

8 7 6 5 4 3 2 1

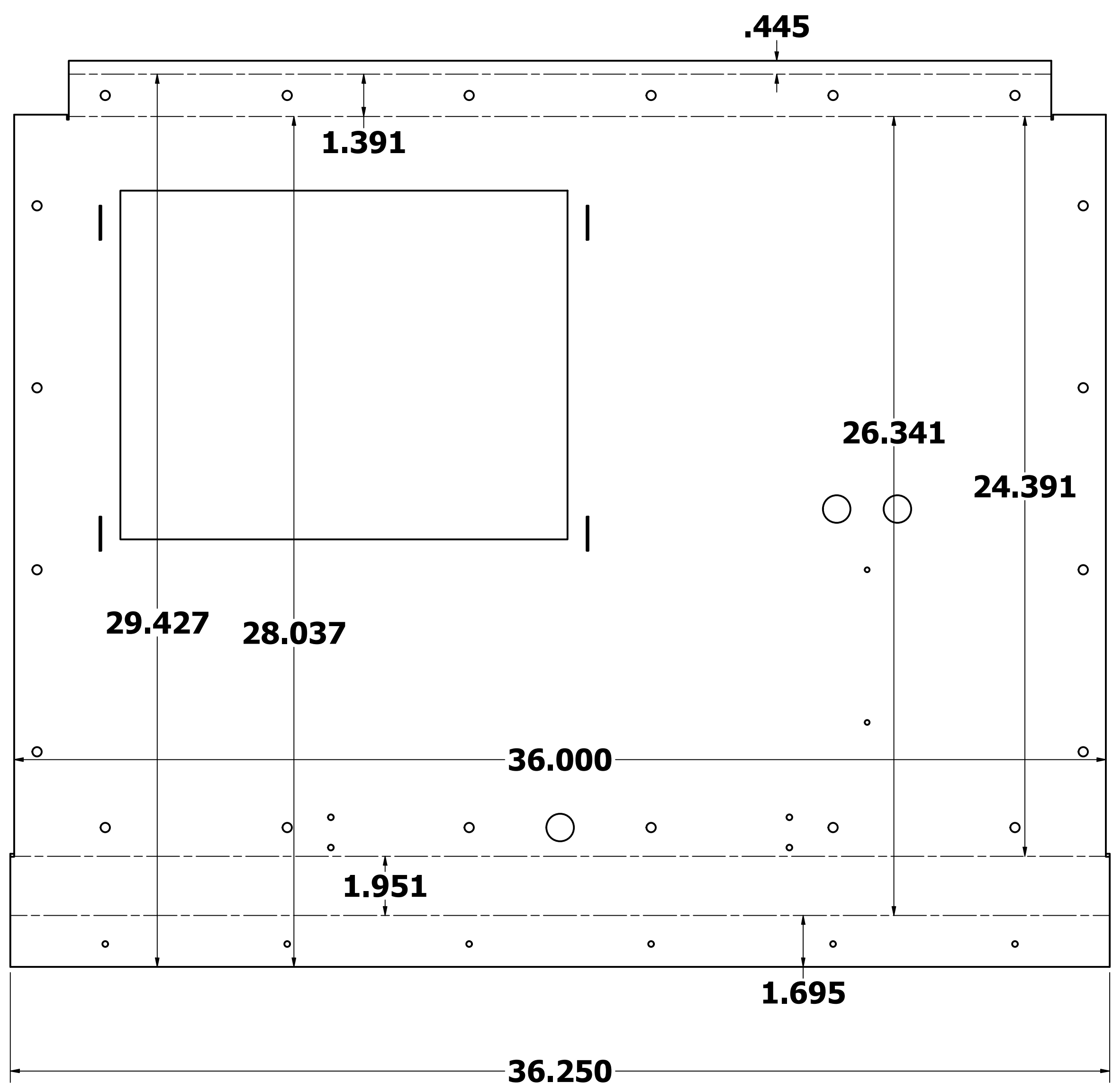
D

D



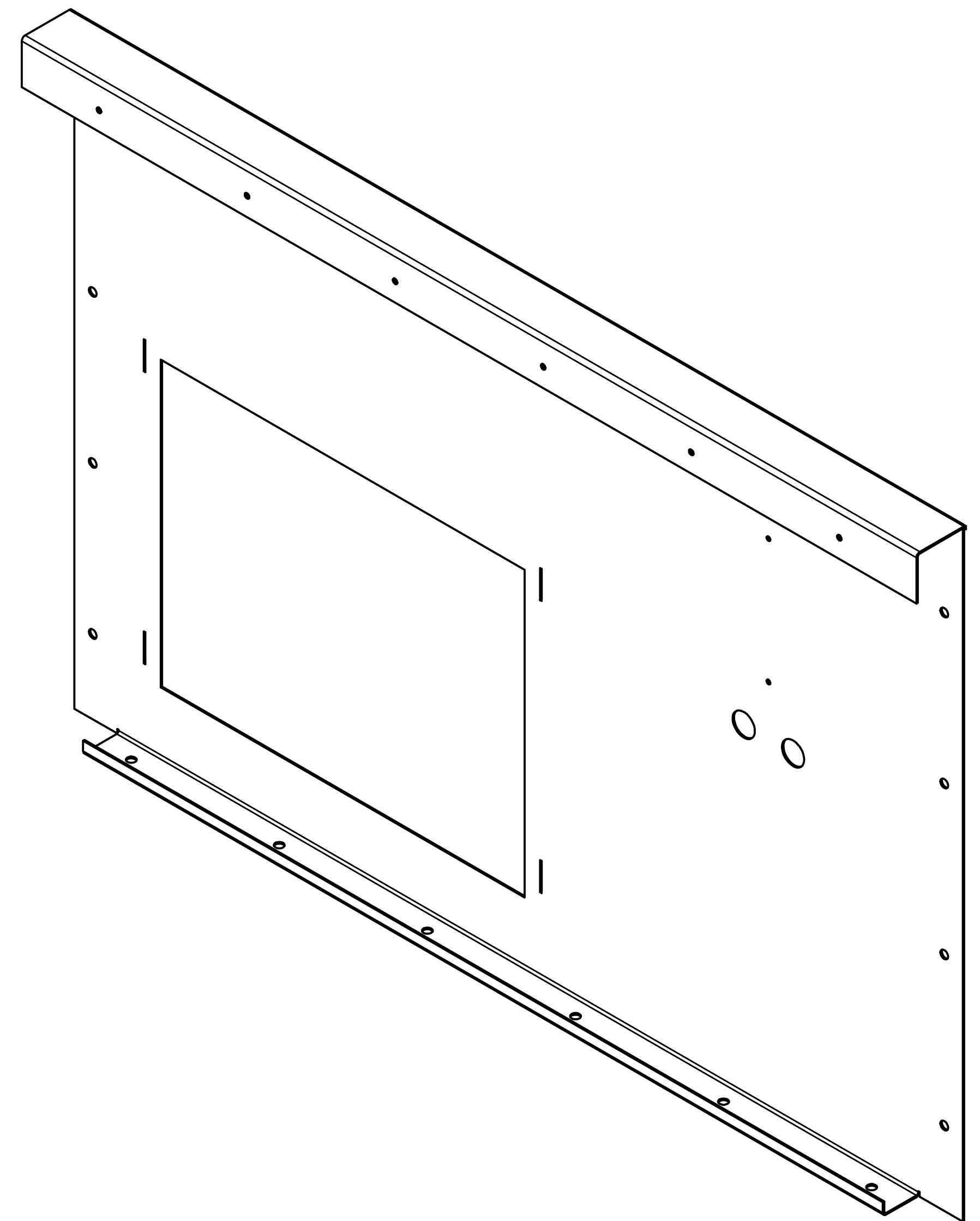
C

C



B

B



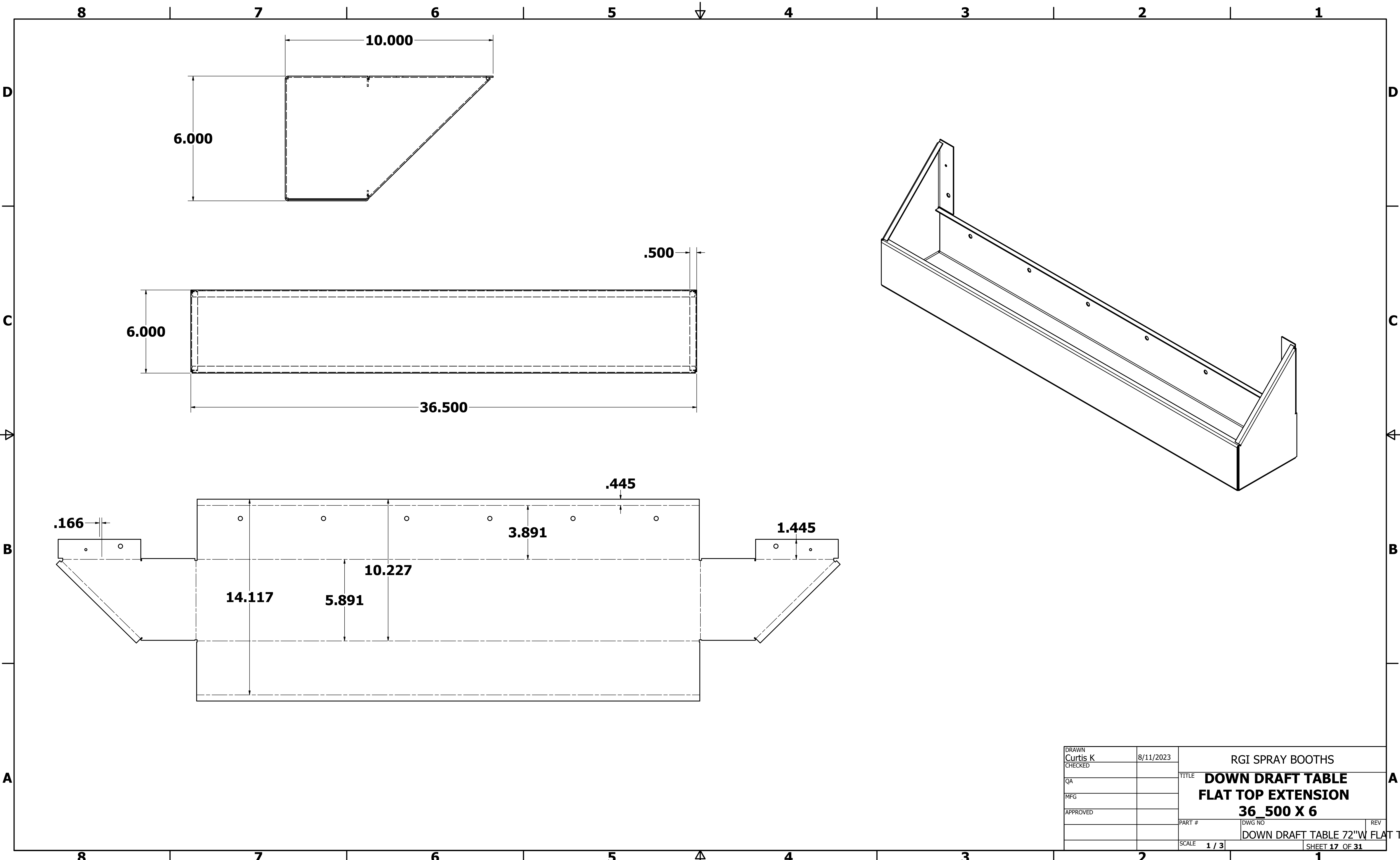
A

A

| | | | | |
|-------------------|-----------|--|-------------------------------|-----|
| DRAWN Curtis K | 8/11/2023 | RGI SPRAY BOOTHS | | |
| CHECKED | | TITLE DRAFT TABLE FILTER END PANEL 36_500 X 25_500 | | |
| QA | | PART # | DWG NO | REV |
| MFG | | DDT27 | DOWN DRAFT TABLE 72"W FLAT TO | |
| APPROVED | | SCALE 1 / 3 | SHEET 16 OF 31 | |

8 7 6 5 4 3 2 1

#3728 - 121X 48 - 16G GALVANIZED STEEL



8 7 6 5 4 3 2 1

D D

C C

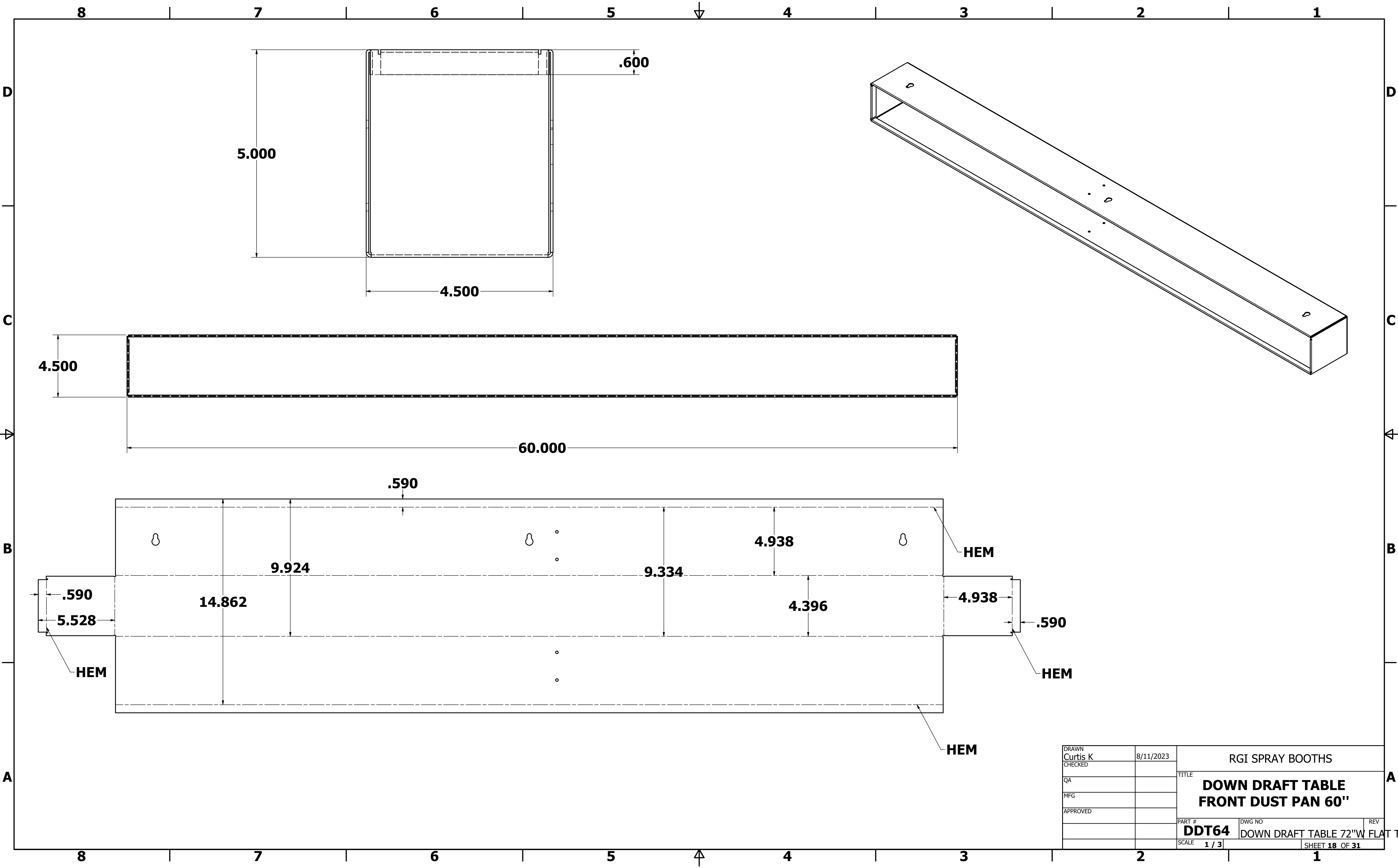
B B

A A

8 7 6 5 4 3 2 1

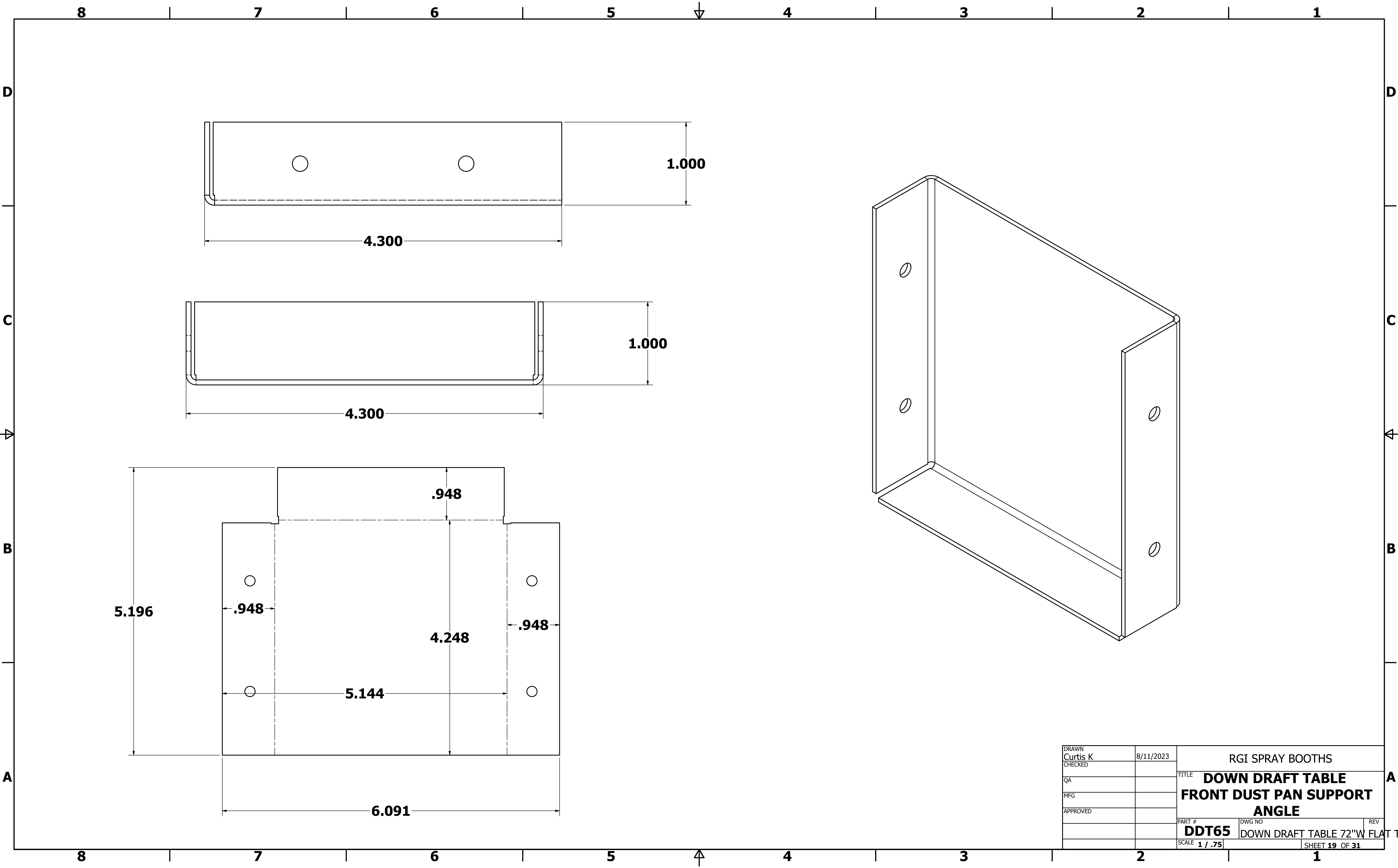
#3752 - 121 X 48 - 16G GALVANIZED STEEL

| | | | |
|-------------------|-----------|---|----------------|
| DRAWN Curtis K | 8/11/2023 | RGI SPRAY BOOTHS | |
| CHECKED | | TITLE DOWN DRAFT TABLE FLAT TOP EXTENSION 36_500 X 6 | |
| QA | | PART # | DWG NO |
| MFG | | | REV |
| APPROVED | | DOWN DRAFT TABLE 72"W FLAT TOP | |
| | | SCALE 1 / 3 | SHEET 17 OF 31 |



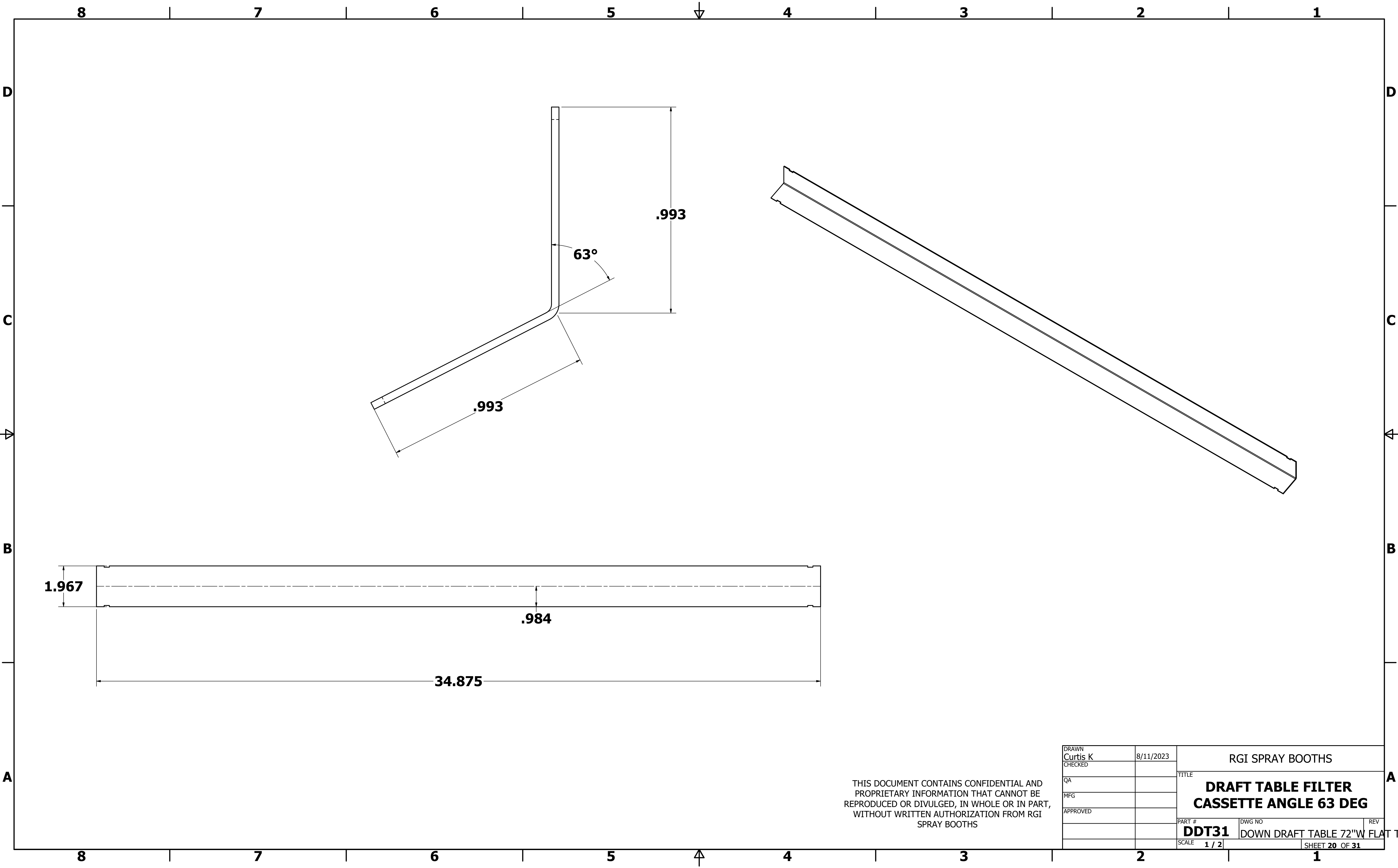
#3746 - 121 X 48 - 16G GALVANIZED STEEL

| | | | |
|-------------------|-----------|---|----------------|
| DRAWN Curtis K | 8/11/2023 | RGI SPRAY BOOTHS | |
| CHECKED | | TITLE DOWN DRAFT TABLE FRONT DUST PAN 60" | |
| QA | | PART # | REV |
| MFG | | DDT64 | |
| APPROVED | | DWG NO | |
| | | DOWN DRAFT TABLE 72"W FLAT TOP | |
| | | SCALE | SHEET 18 OF 31 |
| | | 1 / 3 | |



#3746 - 121 X 48 - 16G GALVANIZED STEEL

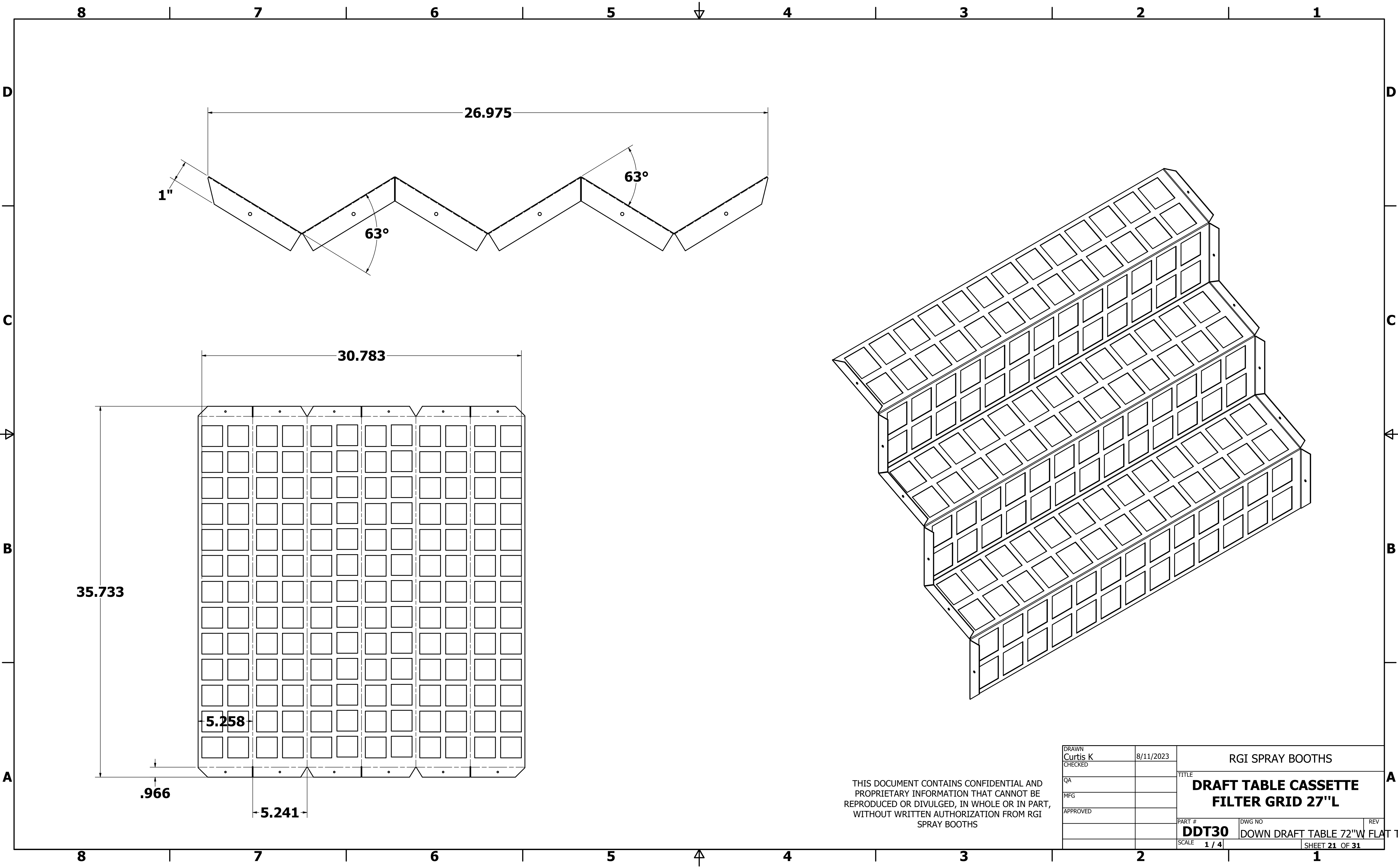
| | | | |
|-------------------|-----------|--|-------------------------------|
| DRAWN Curtis K | 8/11/2023 | RGI SPRAY BOOTHS | |
| CHECKED | | TITLE DOWN DRAFT TABLE FRONT DUST PAN SUPPORT ANGLE | |
| QA | | PART # | REV |
| MFG | | DDT65 | |
| APPROVED | | DWG NO | DOWN DRAFT TABLE 72"W FLAT TO |
| | | SCALE 1 / .75 | SHEET 19 OF 31 |



#3745 - 85 X 48 - 20G GALVANIZED STEEL

THIS DOCUMENT CONTAINS CONFIDENTIAL AND PROPRIETARY INFORMATION THAT CANNOT BE REPRODUCED OR DIVULGED, IN WHOLE OR IN PART, WITHOUT WRITTEN AUTHORIZATION FROM RGI SPRAY BOOTHS

| | | | |
|-------------------|-----------|---|-------------------------------|
| DRAWN Curtis K | 8/11/2023 | RGI SPRAY BOOTHS | |
| CHECKED | | TITLE | |
| QA | | DRAFT TABLE FILTER CASSETTE ANGLE 63 DEG | |
| MFG | | PART # | DWG NO |
| APPROVED | | DDT31 | DOWN DRAFT TABLE 72"W FLAT TO |
| | | SCALE 1 / 2 | SHEET 20 OF 31 |



8 7 6 5 4 3 2 1

D D

C C

B B

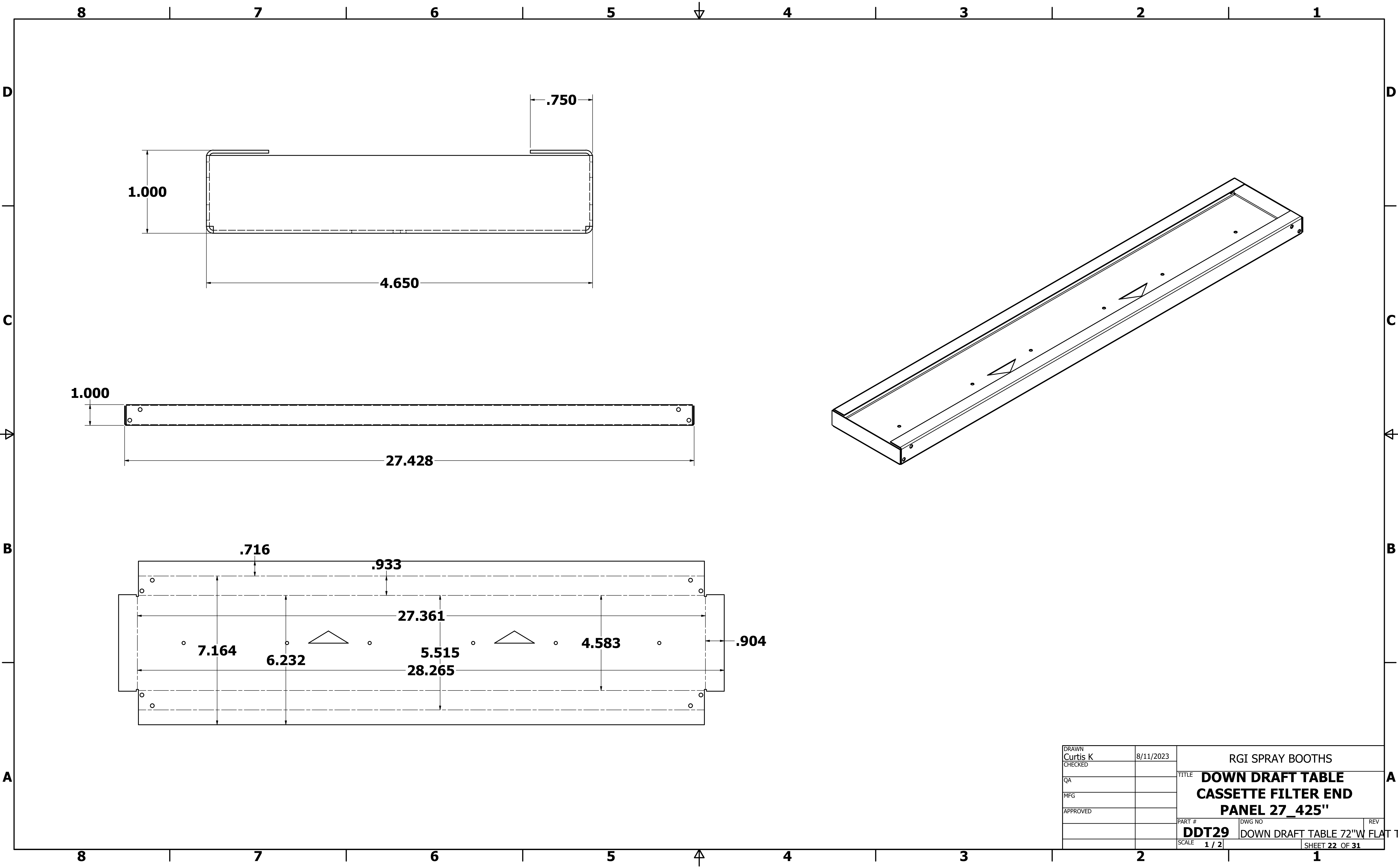
A A

8 7 6 5 4 3 2 1

#3745 - 85 X 48 - 20G GALVANIZED STEEL

THIS DOCUMENT CONTAINS CONFIDENTIAL AND PROPRIETARY INFORMATION THAT CANNOT BE REPRODUCED OR DIVULGED, IN WHOLE OR IN PART, WITHOUT WRITTEN AUTHORIZATION FROM RGI SPRAY BOOTHS

| | | | |
|-------------------|-----------|---|-------------------------------|
| DRAWN Curtis K | 8/11/2023 | RGI SPRAY BOOTHS | |
| CHECKED | | TITLE DRAFT TABLE CASSETTE FILTER GRID 27"L | |
| QA | | PART # | DWG NO |
| MFG | | DDT30 | DOWN DRAFT TABLE 72"W FLAT TO |
| APPROVED | | SCALE 1/4" | REV |
| | | | SHEET 21 OF 31 |



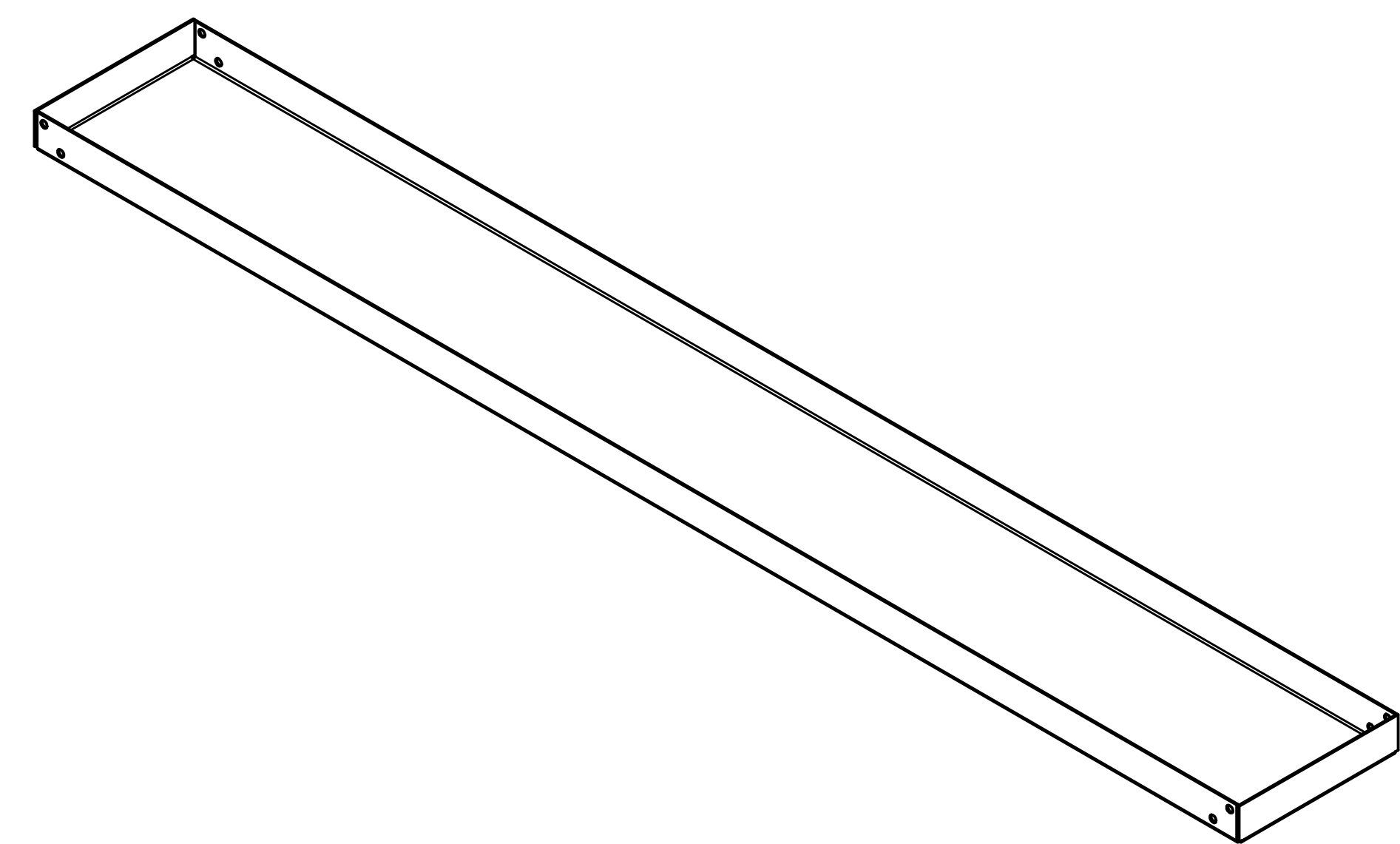
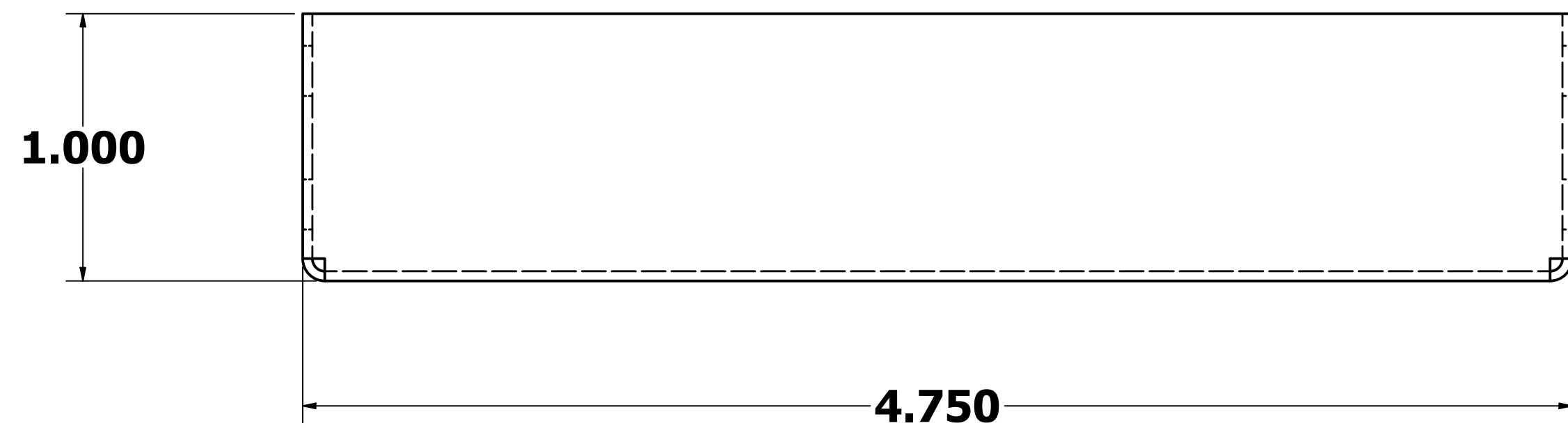
| | | | |
|-------------------|-----------|---|------------------------------|
| DRAWN Curtis K | 8/11/2023 | RGI SPRAY BOOTHS | |
| CHECKED | | TITLE DOWN DRAFT TABLE CASSETTE FILTER END PANEL 27_425" | |
| QA | | PART # | REV |
| MFG | | DDT29 | |
| APPROVED | | DWG NO | |
| | | SCALE 1 / 2 | SHEET 22 OF 31 |

#3745 - 85 X 48 - 20G GALVANIZED STEEL

8 7 6 5 4 3 2 1

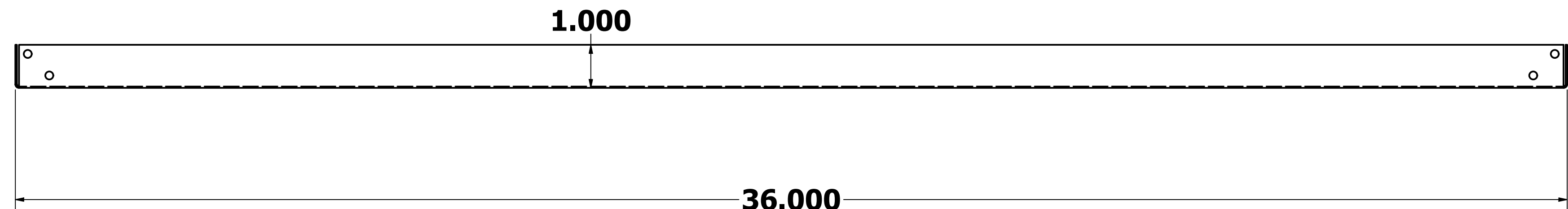
D

D



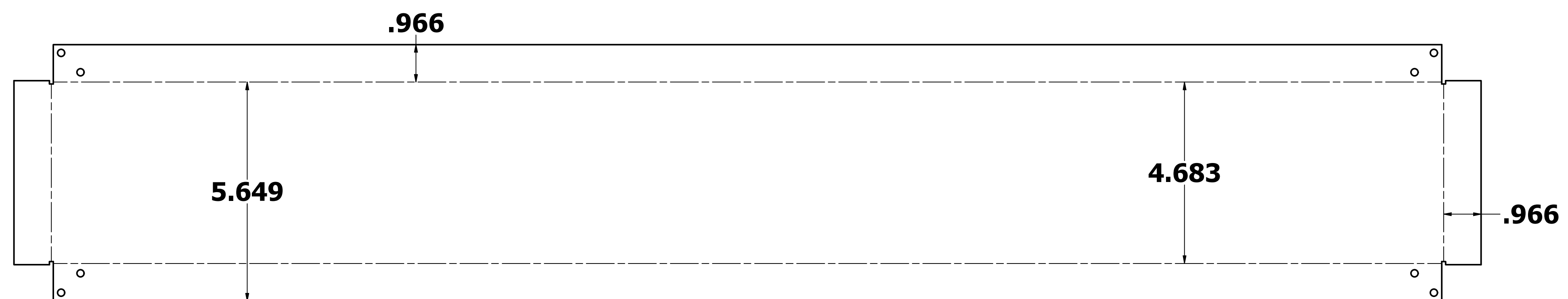
C

C



B

B



A

A

| | | | |
|-------------------|-----------|-----------------------------|-------------------------------|
| DRAWN Curtis K | 8/11/2023 | RGI SPRAY BOOTHS | |
| CHECKED | | TITLE | |
| QA | | DRAFT TABLE CASSETTE | |
| MFG | | TOP 36 X 4_750 | |
| APPROVED | | PART # | REV |
| | | DDT28 | |
| | | DWG NO | DOWN DRAFT TABLE 72"W FLAT TO |
| | | SCALE 1 / 2 | SHEET 23 OF 31 |

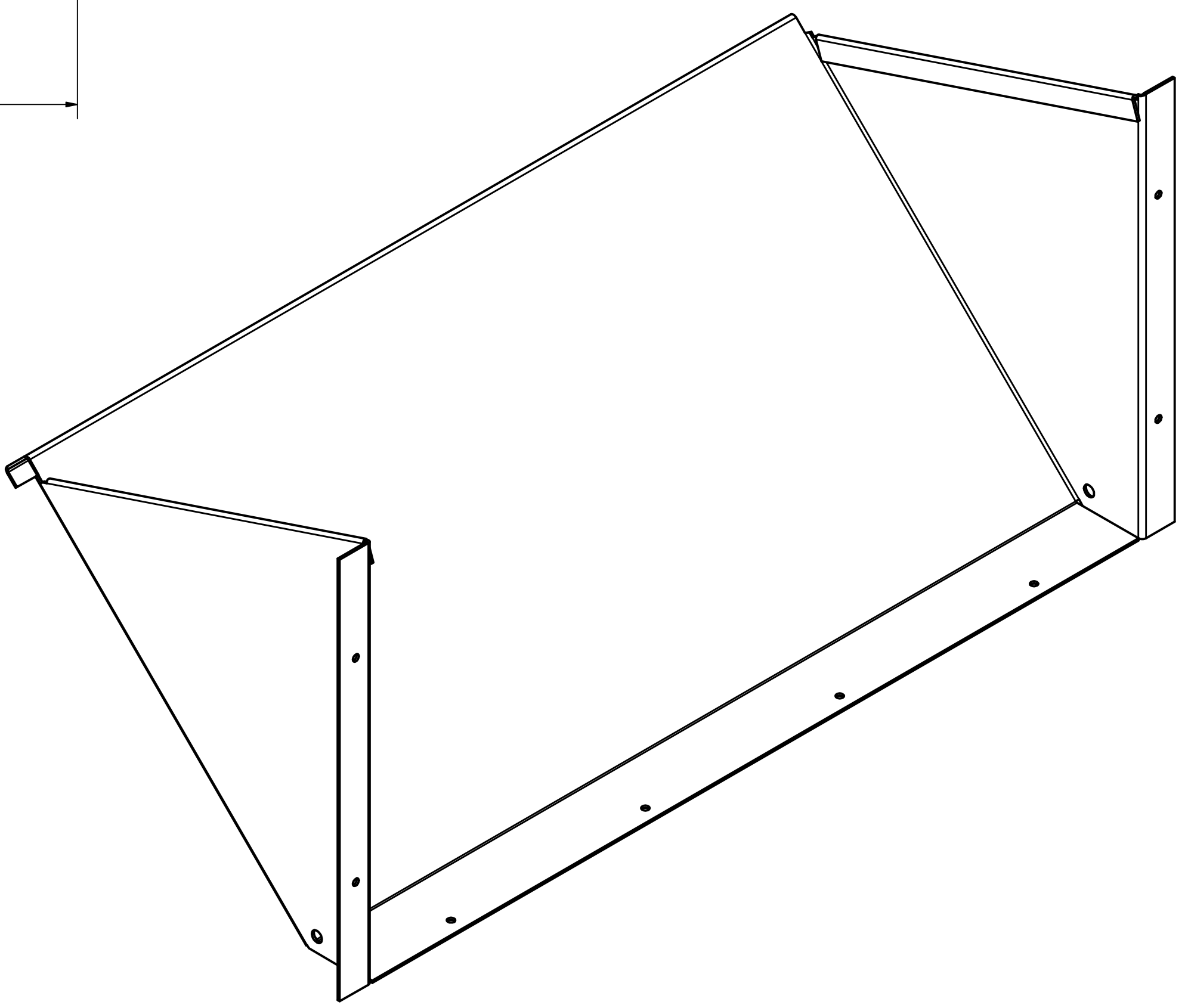
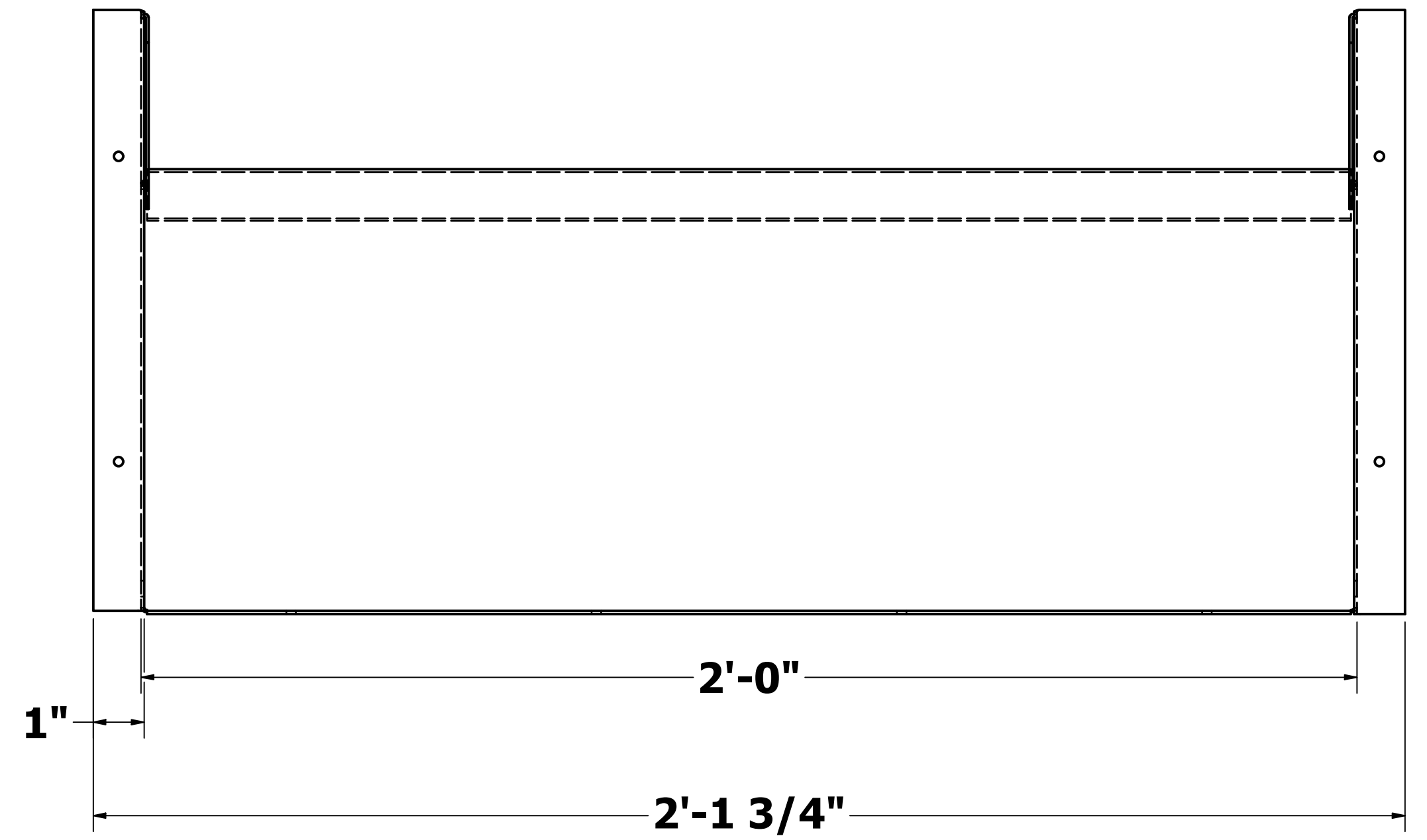
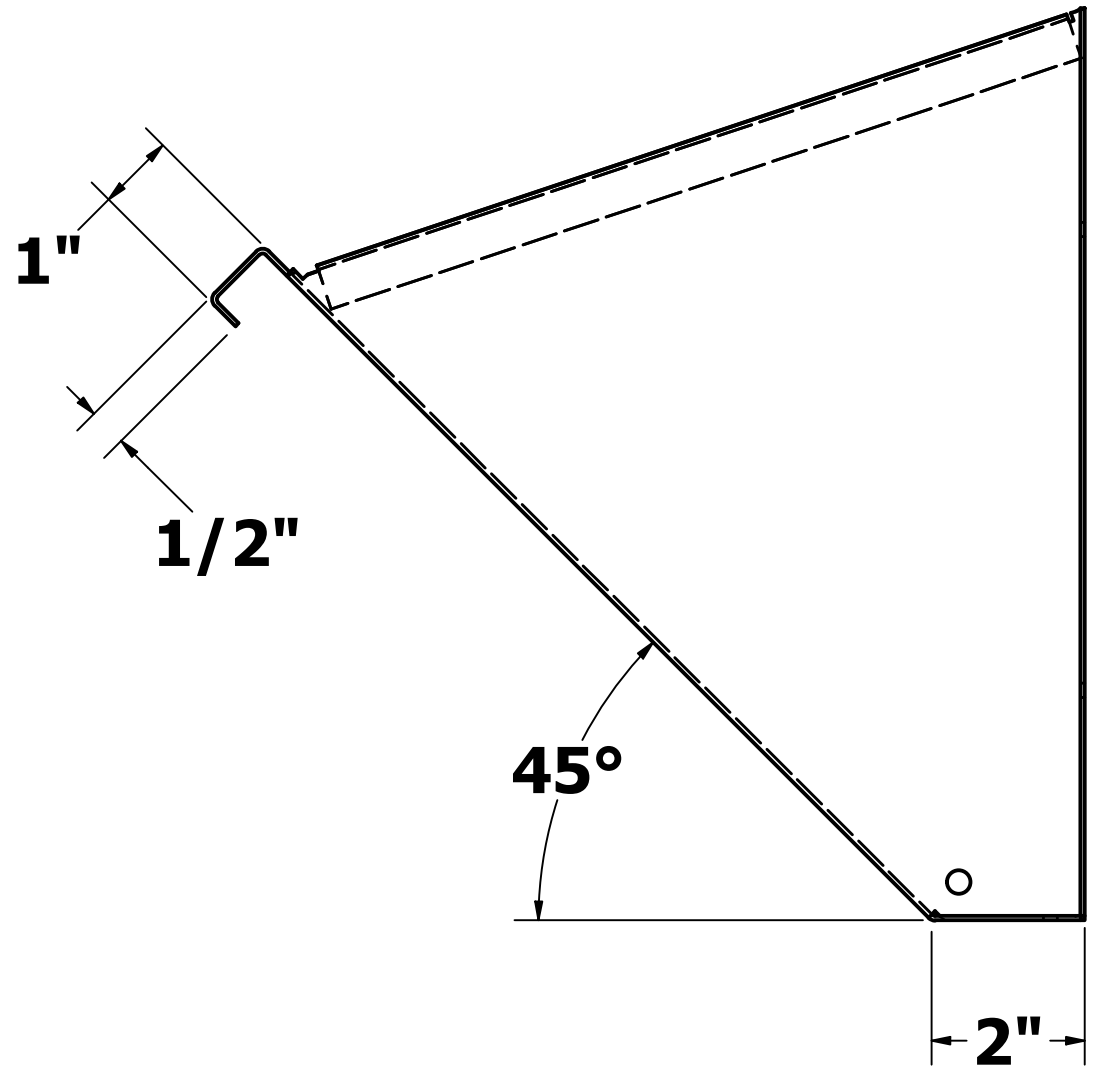
8 7 6 5 4 3 2 1

#3745 - 85 X 48 - 20G GALVANIZED STEEL

8 7 6 5 4 3 2 1

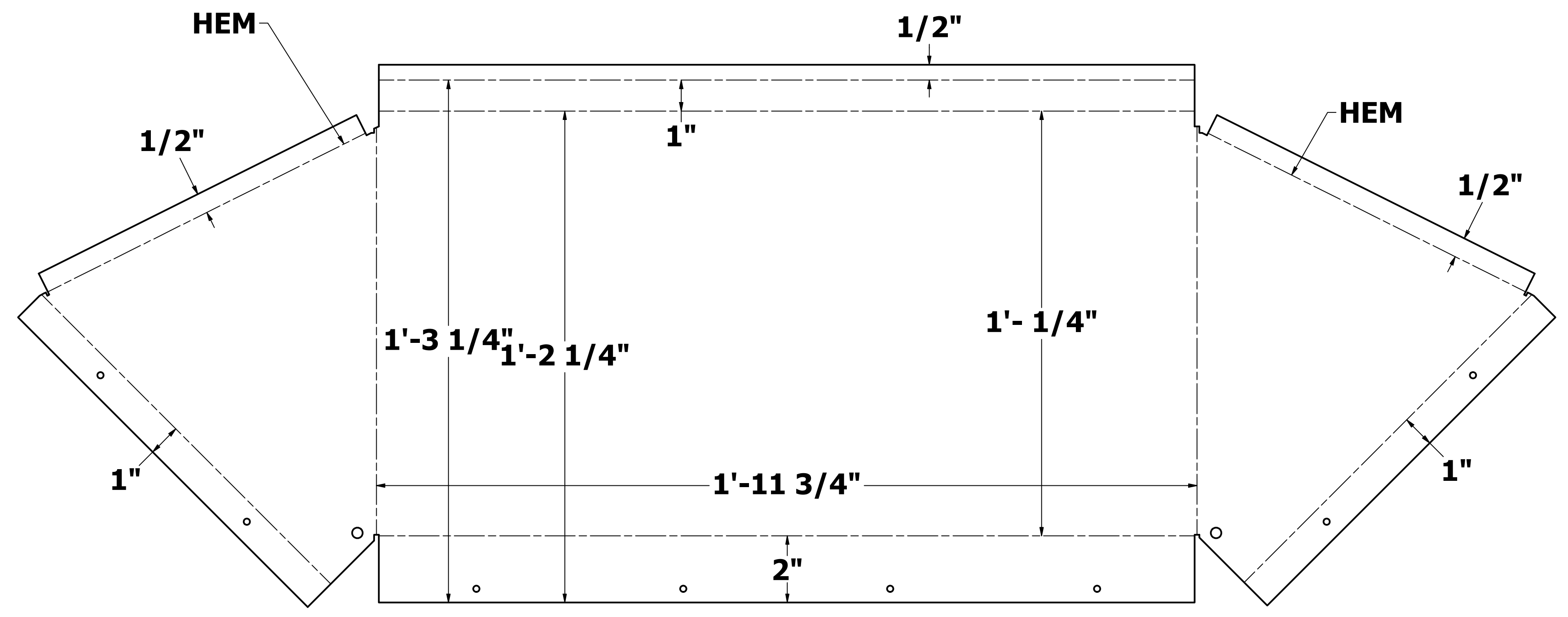
D

D



C

C



B

B

A

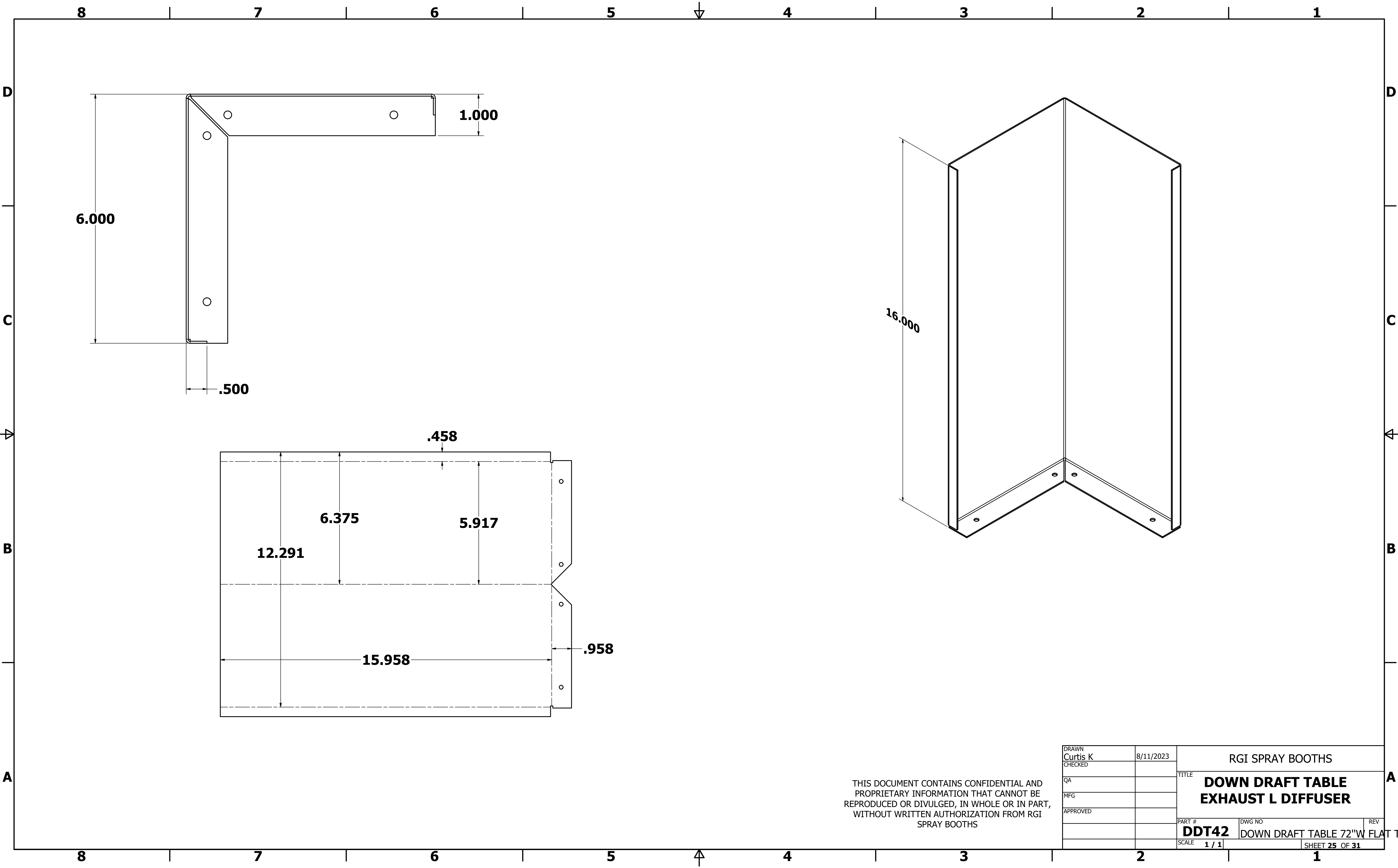
A

8 7 6 5 4 3 2 1

THIS DOCUMENT CONTAINS CONFIDENTIAL AND PROPRIETARY INFORMATION THAT CANNOT BE REPRODUCED OR DIVULGED, IN WHOLE OR IN PART, WITHOUT WRITTEN AUTHORIZATION FROM RGI SPRAY BOOTHS

| | | | |
|-------------------|-----------|--|--------|
| DRAWN Curtis K | 8/11/2023 | RGI SPRAY BOOTHS | |
| CHECKED | | TITLE DOWN DRAFT TABLE PIVOT CUBBIE FRONT 24" X 12" | |
| QA | | PART # | DWG NO |
| MFG | | DDT62 | |
| APPROVED | | SCALE | REV |
| | | 1 / 2.5 | |
| | | SHEET 24 OF 31 | |

#3746 - 121 X 48 - 16G GALVANIZED STEEL



6.000

1.000

.500

.458

6.375

5.917

12.291

15.958

.958

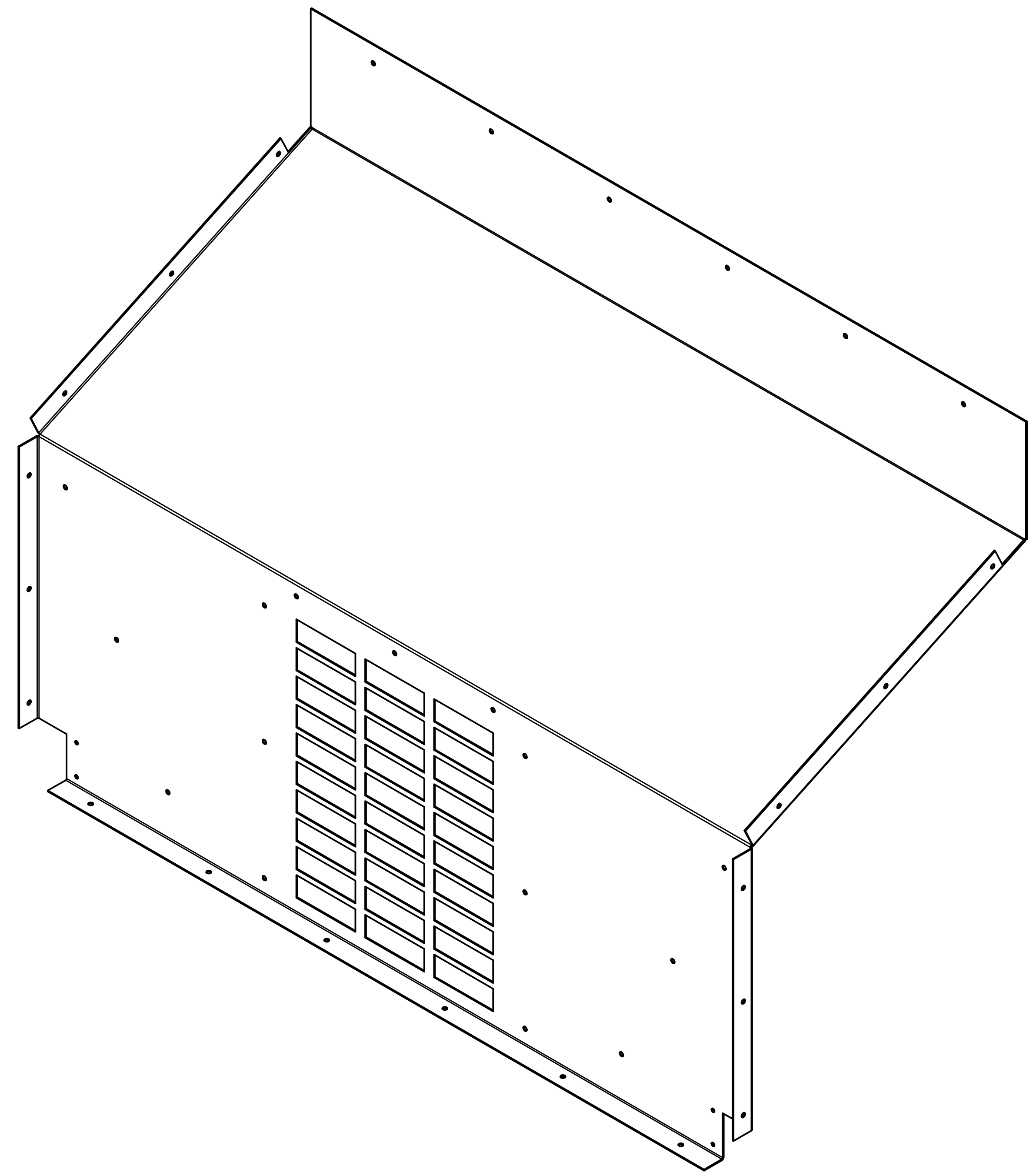
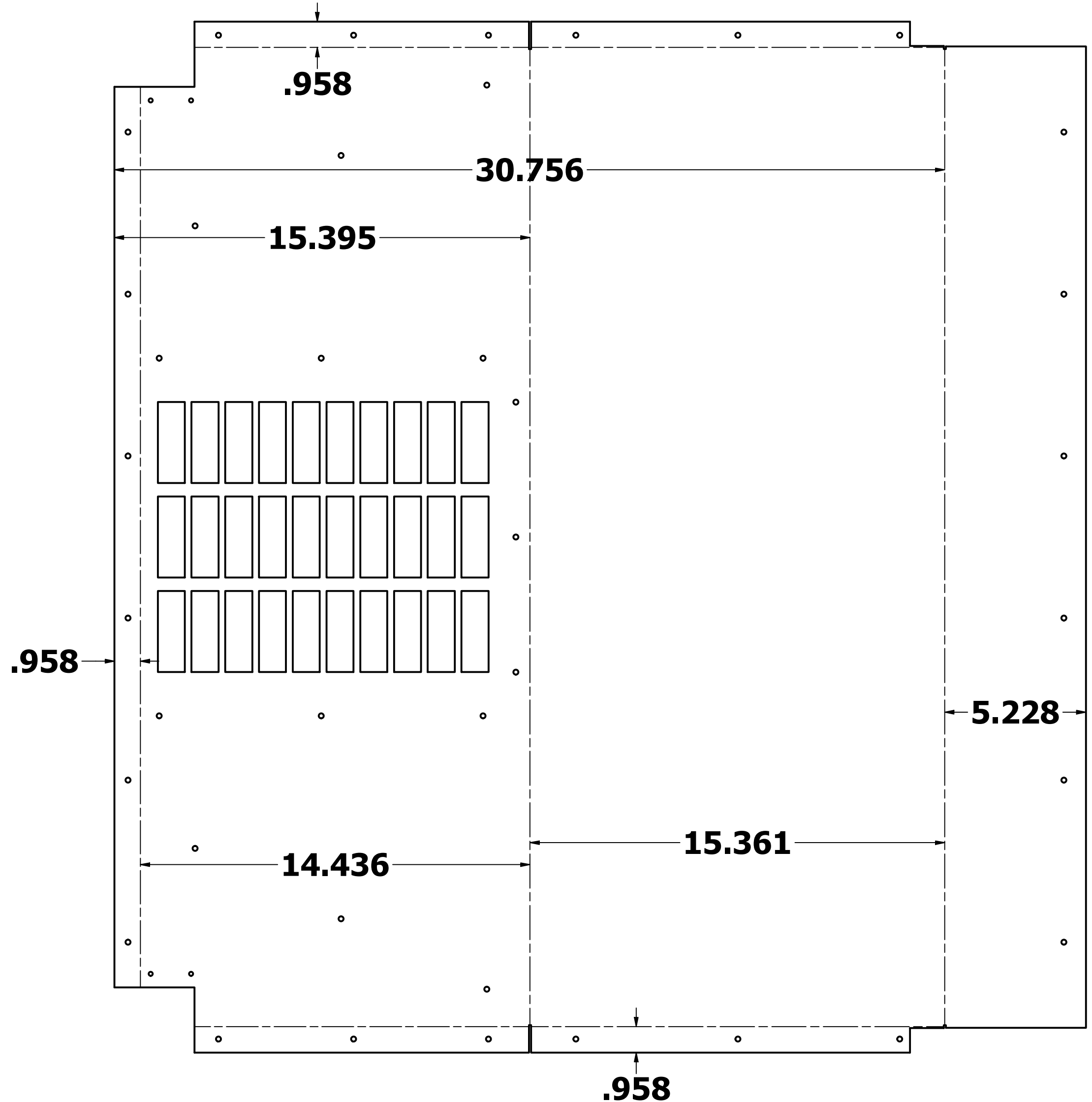
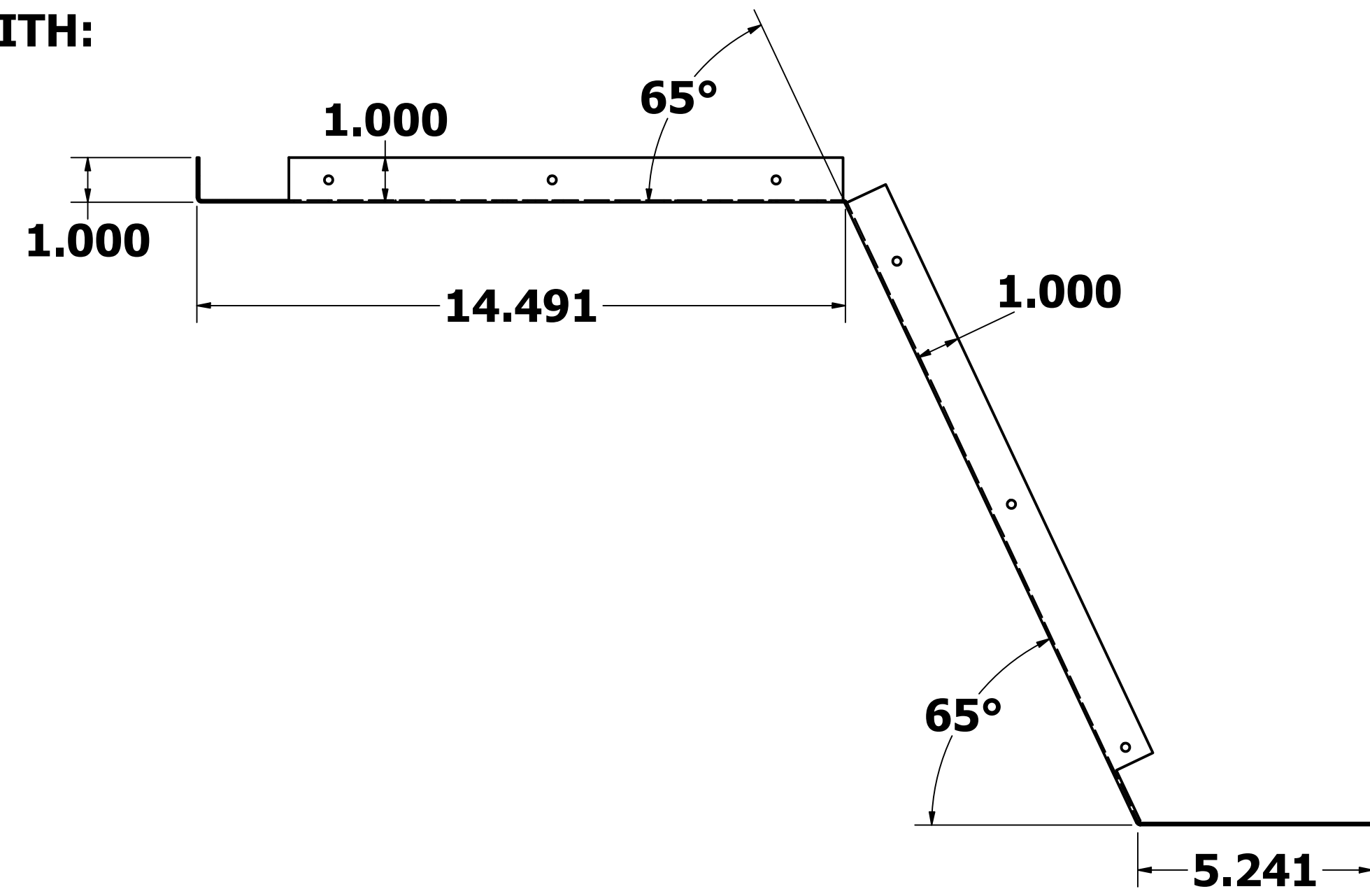
16.000

THIS DOCUMENT CONTAINS CONFIDENTIAL AND PROPRIETARY INFORMATION THAT CANNOT BE REPRODUCED OR DIVULGED, IN WHOLE OR IN PART, WITHOUT WRITTEN AUTHORIZATION FROM RGI SPRAY BOOTHS

| | | | |
|-------------------|-----------|---|----------------|
| DRAWN Curtis K | 8/11/2023 | RGI SPRAY BOOTHS | |
| CHECKED | | TITLE DOWN DRAFT TABLE EXHAUST L DIFFUSER | |
| QA | | PART # | REV |
| MFG | | DDT42 | |
| APPROVED | | DWG NO | |
| | | DOWN DRAFT TABLE 72"W FLAT TOP | |
| | | SCALE 1 / 1 | SHEET 25 OF 31 |

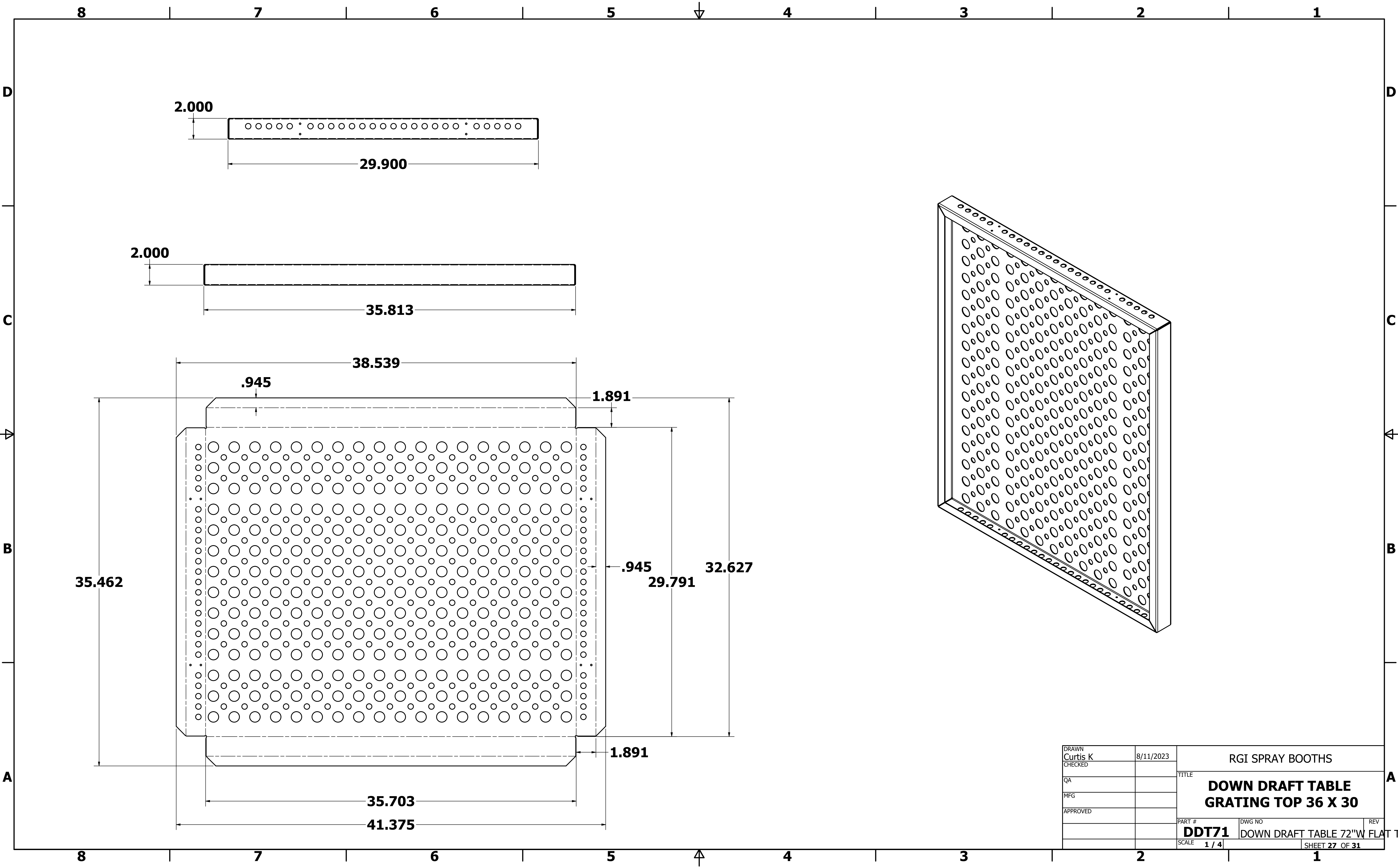
#3747 - 144 X 48 - 18G GALVANIZED STEEL

IN COLLABORATION WITH:



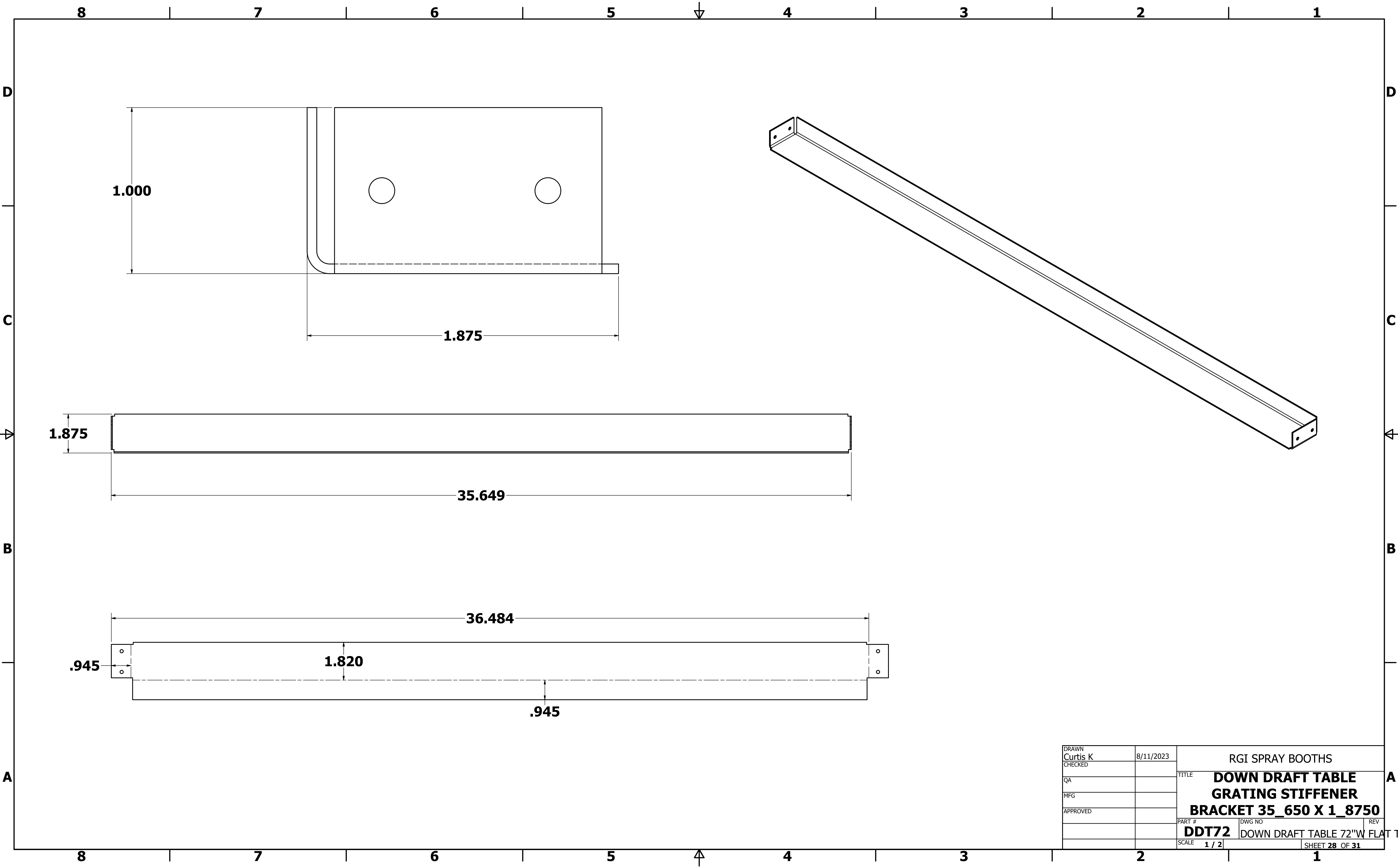
THIS DOCUMENT CONTAINS CONFIDENTIAL AND PROPRIETARY INFORMATION THAT CANNOT BE REPRODUCED OR DIVULGED, IN WHOLE OR IN PART, WITHOUT WRITTEN AUTHORIZATION FROM RGI SPRAY BOOTHS

| | | | |
|-------------------|-----------|---|-------------------------------|
| DRAWN Curtis K | 8/11/2023 | RGI SPRAY BOOTHS | |
| CHECKED | | TITLE | |
| QA | | DOWN DRAFT TABLE FILTER DIVIDER 36_36 X 14 | |
| MFG | | PART # | DWG NO |
| APPROVED | | DDT51 | DOWN DRAFT TABLE 72"W FLAT TO |
| | | SCALE | SHEET 26 OF 31 |
| | | 1 / 3.5 | |



| | | | |
|-------------------|-----------|---|-------------------------------|
| DRAWN Curtis K | 8/11/2023 | RGI SPRAY BOOTHS | |
| CHECKED | | TITLE | |
| QA | | DOWN DRAFT TABLE GRATING TOP 36 X 30 | |
| MFG | | PART # | DWG NO |
| APPROVED | | DDT71 | DOWN DRAFT TABLE 72"W FLAT TO |
| | | SCALE 1 / 4 | SHEET 27 OF 31 |

#3729 - 97X48 - 16G GALVANIZED STEEL



1.875

1.000

1.875

35.649

36.484

.945

1.820

.945

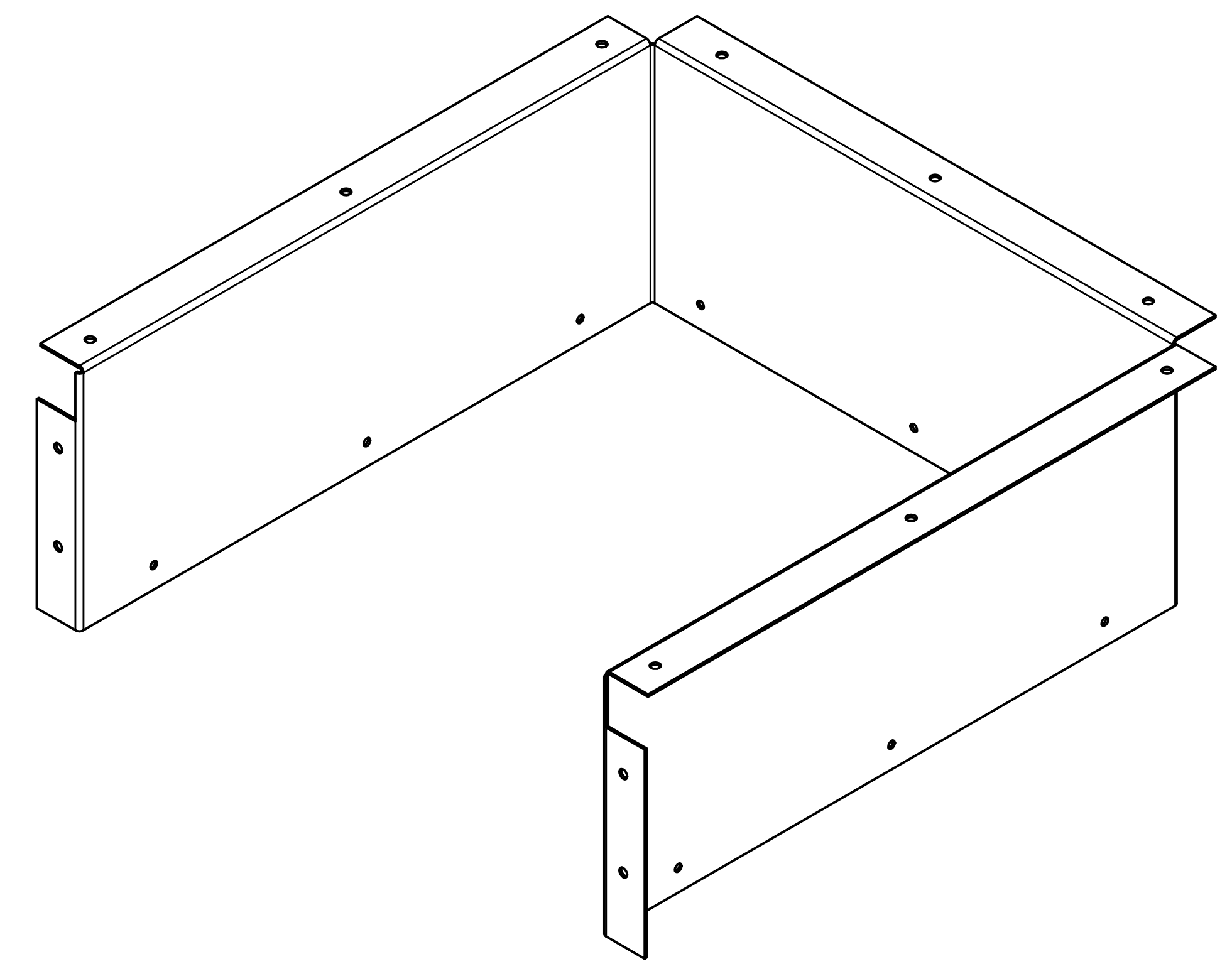
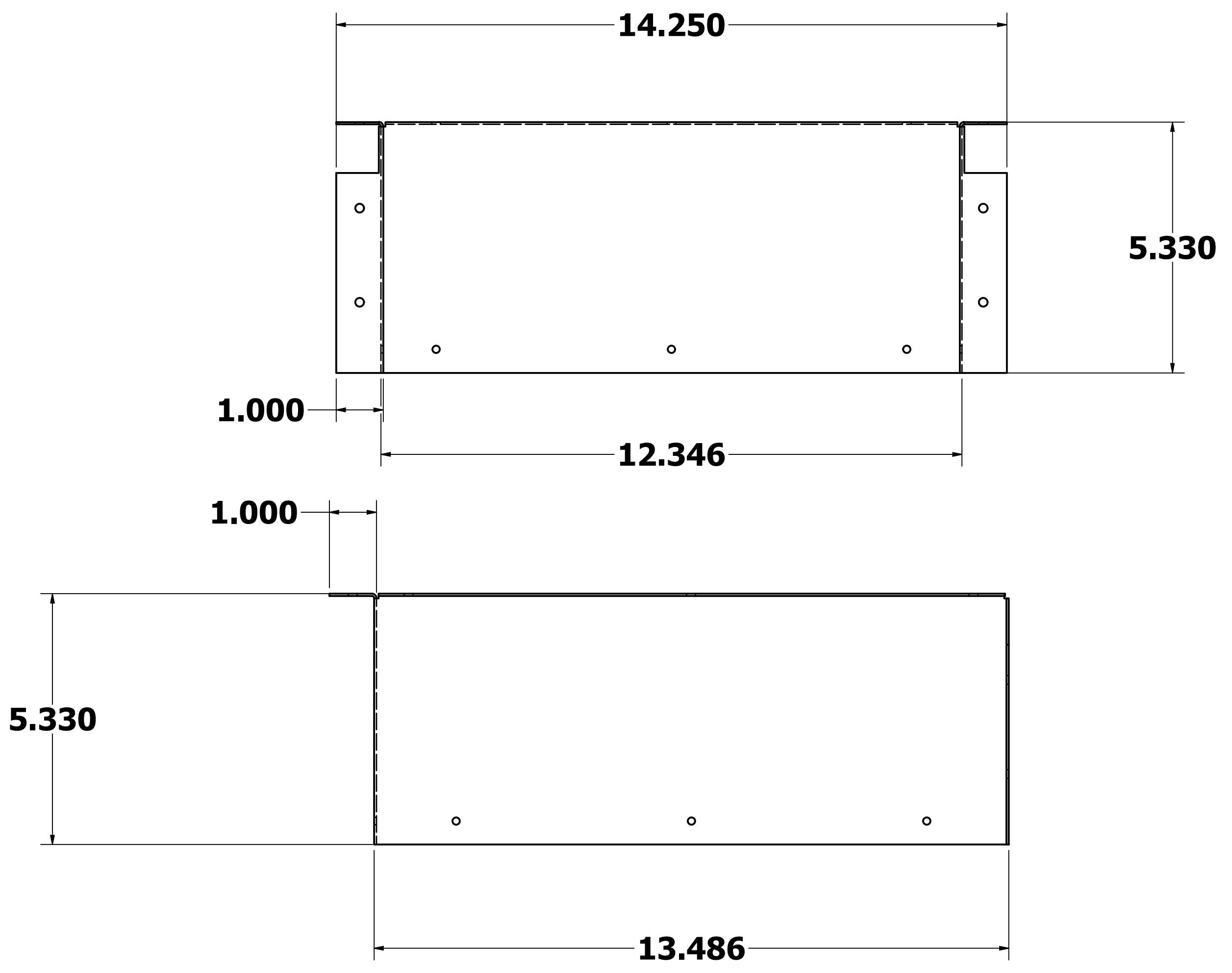
| | | | |
|-------------------|-----------|---|------------------------------|
| DRAWN Curtis K | 8/11/2023 | RGI SPRAY BOOTHS | |
| CHECKED | | TITLE DOWN DRAFT TABLE GRATING STIFFENER BRACKET 35_650 X 1_8750 | |
| QA | | PART # | REV |
| MFG | | DDT72 | |
| APPROVED | | DWG NO DOWN DRAFT TABLE 72"W FLAT TO | |
| | | SCALE 1 / 2 | SHEET 28 OF 31 |

#3729 - 97X48 - 16G GALVANIZED STEEL

8 7 6 5 4 3 2 1

D

D

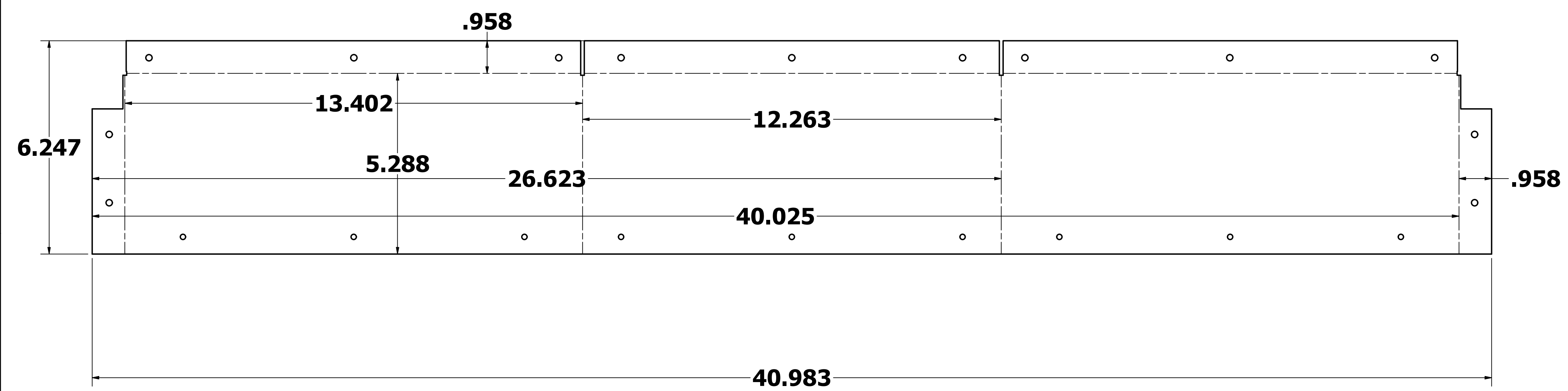


C

C

B

B



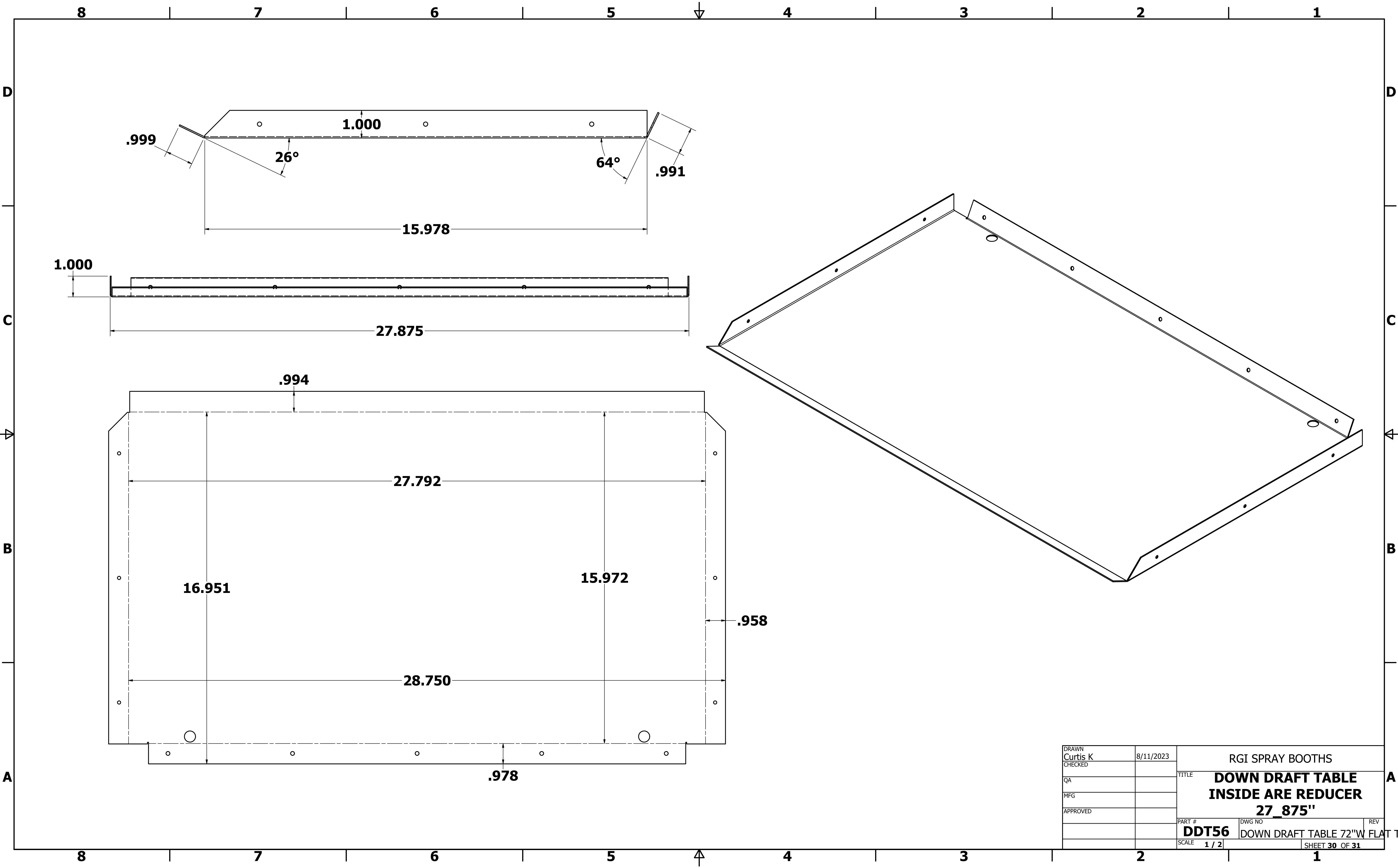
A

A

| | | | |
|-------------------|-----------|---|----------------|
| DRAWN Curtis K | 8/11/2023 | RGI SPRAY BOOTHS | |
| CHECKED | | TITLE DOWN DRAFT TABLE BLOWER VENT TUNNEL 5_250" | |
| QA | | PART # | REV |
| MFG | | DDT54 | |
| APPROVED | | DWG NO | |
| | | SCALE | 1 / 2 |
| | | | SHEET 29 OF 31 |

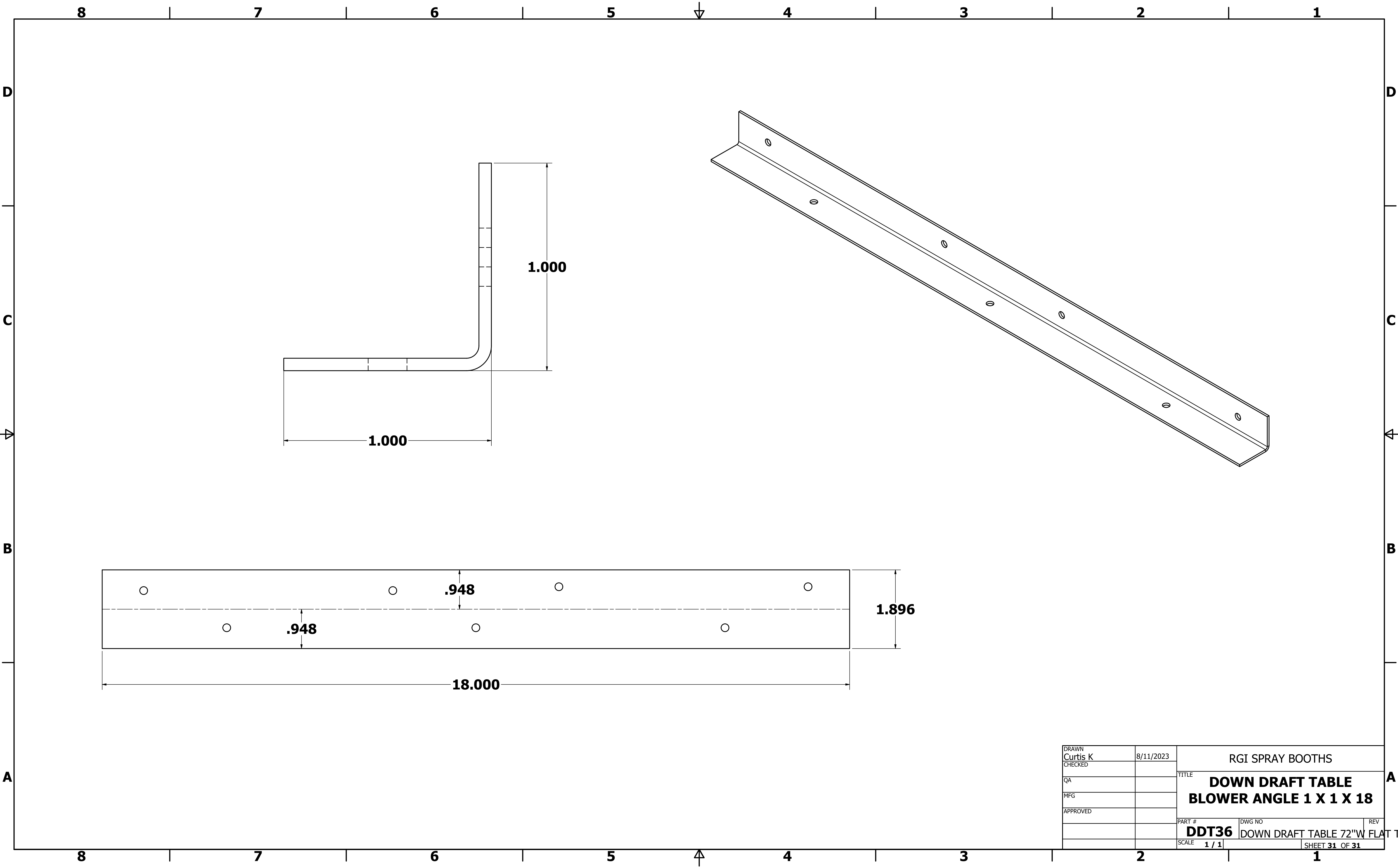
8 7 6 5 4 3 2 1

#3747 - 144 X 48 - 18G GALVANIZED STEEL



| | | | |
|-------------------|-----------|---|-------|
| DRAWN Curtis K | 8/11/2023 | RGI SPRAY BOOTHS | |
| CHECKED | | TITLE DOWN DRAFT TABLE INSIDE ARE REDUCER 27_875" | |
| QA | | PART # | REV |
| MFG | | DDT56 | |
| APPROVED | | DWG NO | |
| | | SCALE | 1 / 2 |
| | | SHEET 30 OF 31 | |

#3747 - 144 X 48 - 18G GALVANIZED STEEL



| | | | |
|-------------------|-----------|--|----------------|
| DRAWN Curtis K | 8/11/2023 | RGI SPRAY BOOTHS | |
| CHECKED | | TITLE DOWN DRAFT TABLE BLOWER ANGLE 1 X 1 X 18 | |
| QA | | PART # | REV |
| MFG | | DDT36 | |
| APPROVED | | DWG NO | REV |
| | | DOWN DRAFT TABLE 72"W FLAT TO | |
| | | SCALE 1 / 1 | SHEET 31 OF 31 |

#3713 - 121 X 48 - 18G GALVANIZED STEEL