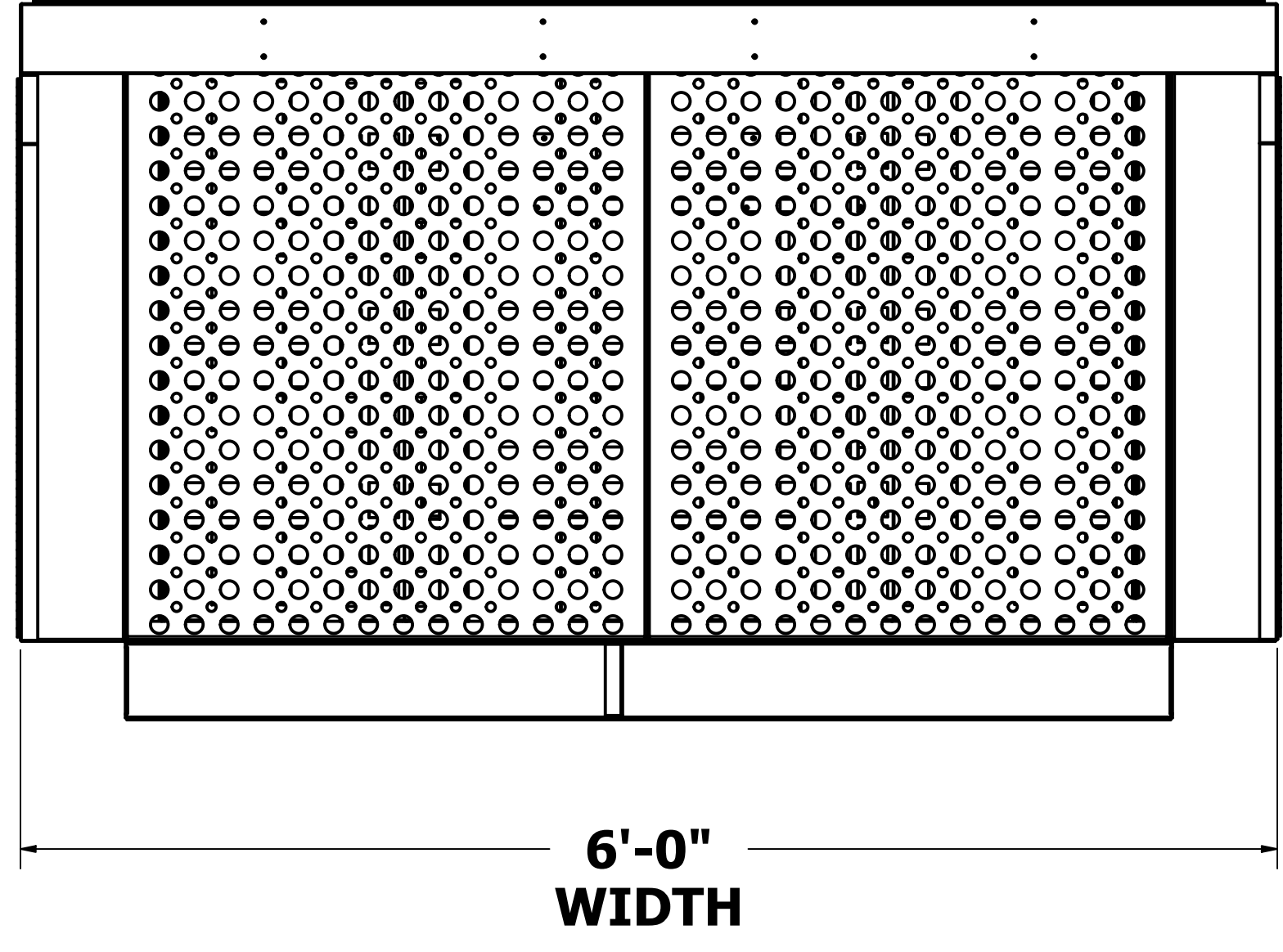
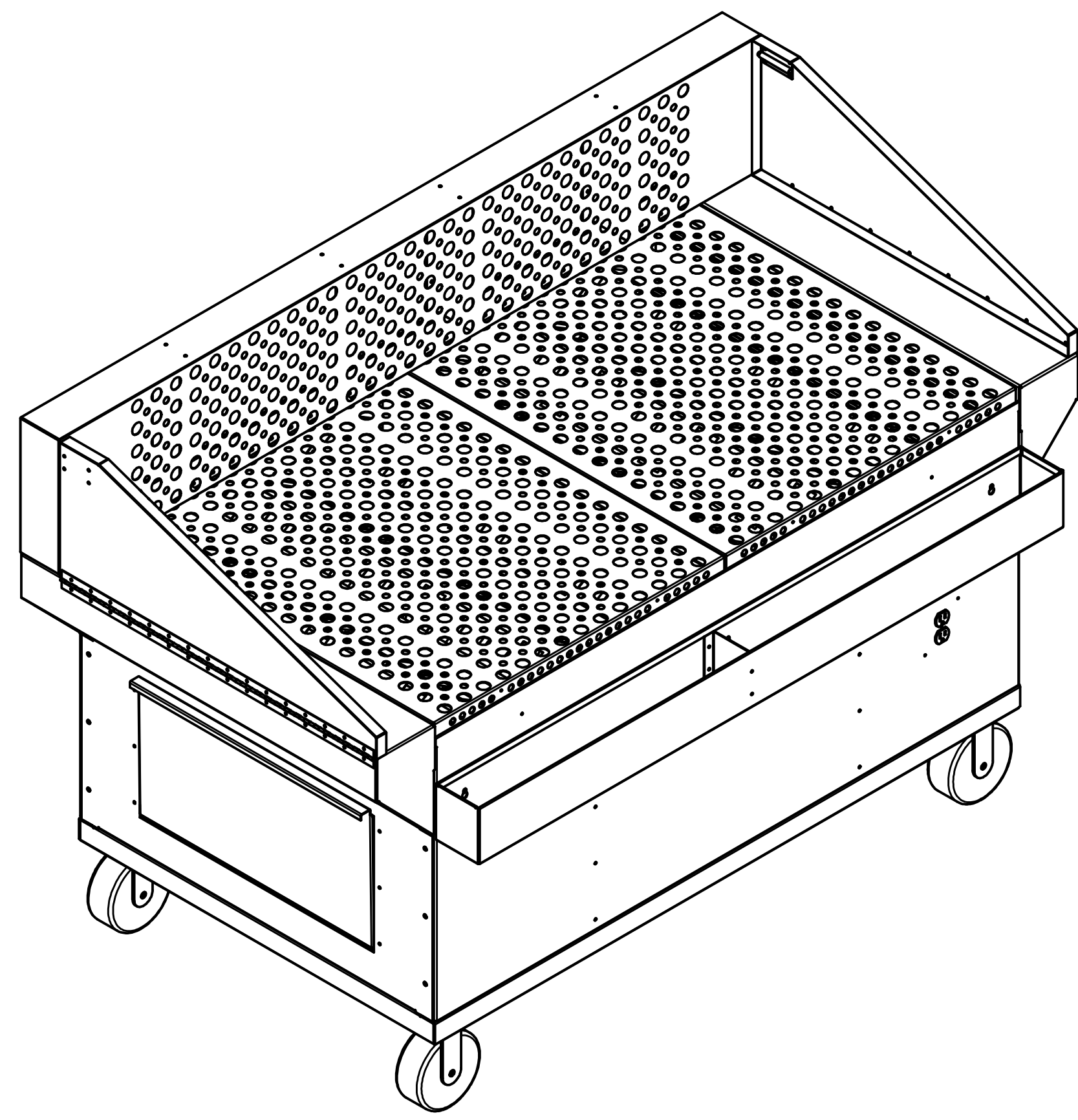


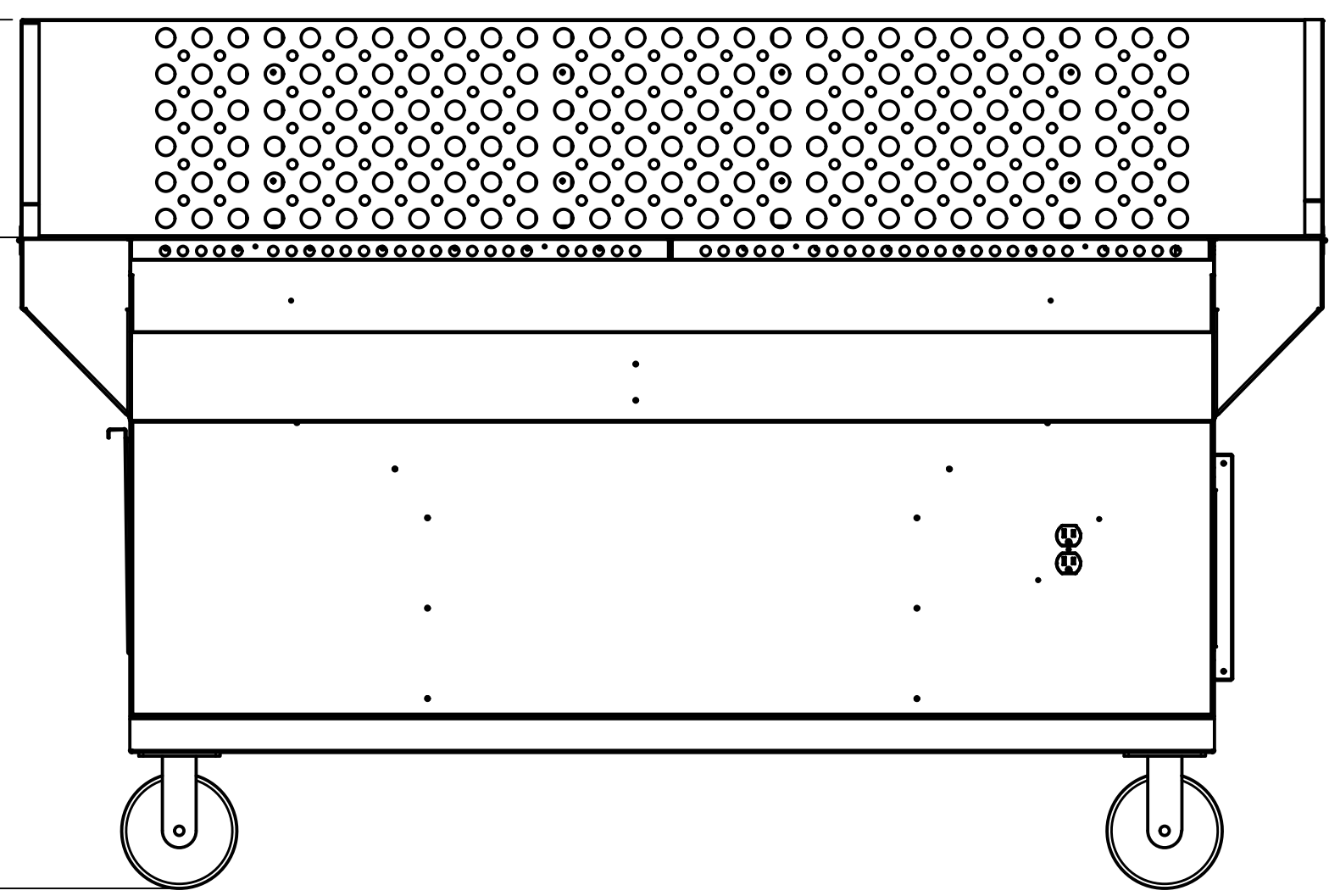
THIS DOCUMENT CONTAINS CONFIDENTIAL AND PROPRIETARY INFORMATION THAT CANNOT BE REPRODUCED OR DIVULGED, IN WHOLE OR IN PART, WITHOUT WRITTEN AUTHORIZATION FROM RGI SPRAY BOOTHS

DRAWN Curtis K	8/11/2023	RGI SPRAY BOOTHS	
CHECKED		TITLE	
QA		<b>DOWN DRAFT TABLE 72"W BACK AND SIDE GUARD</b>	
MFG		PART #	DWG NO
APPROVED			REV
		SCALE 1 / 5	SHEET 1 OF 36

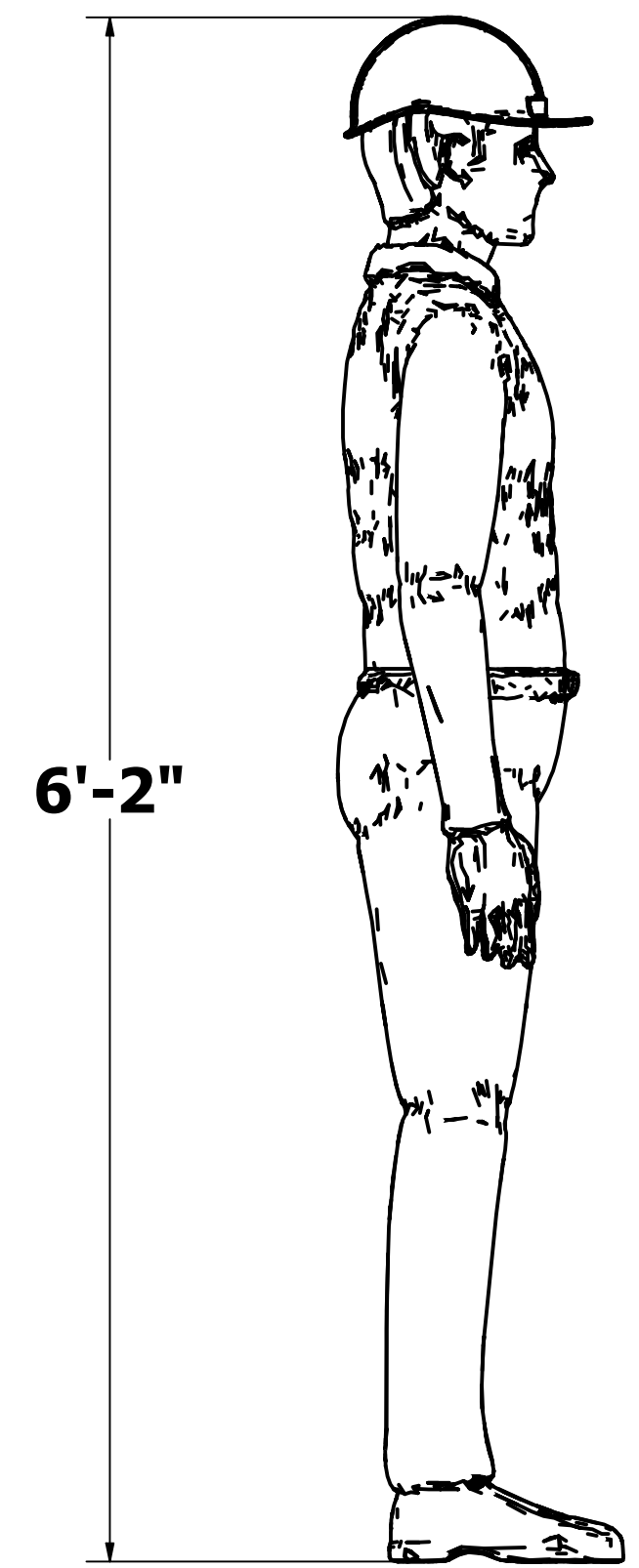
SIDE &



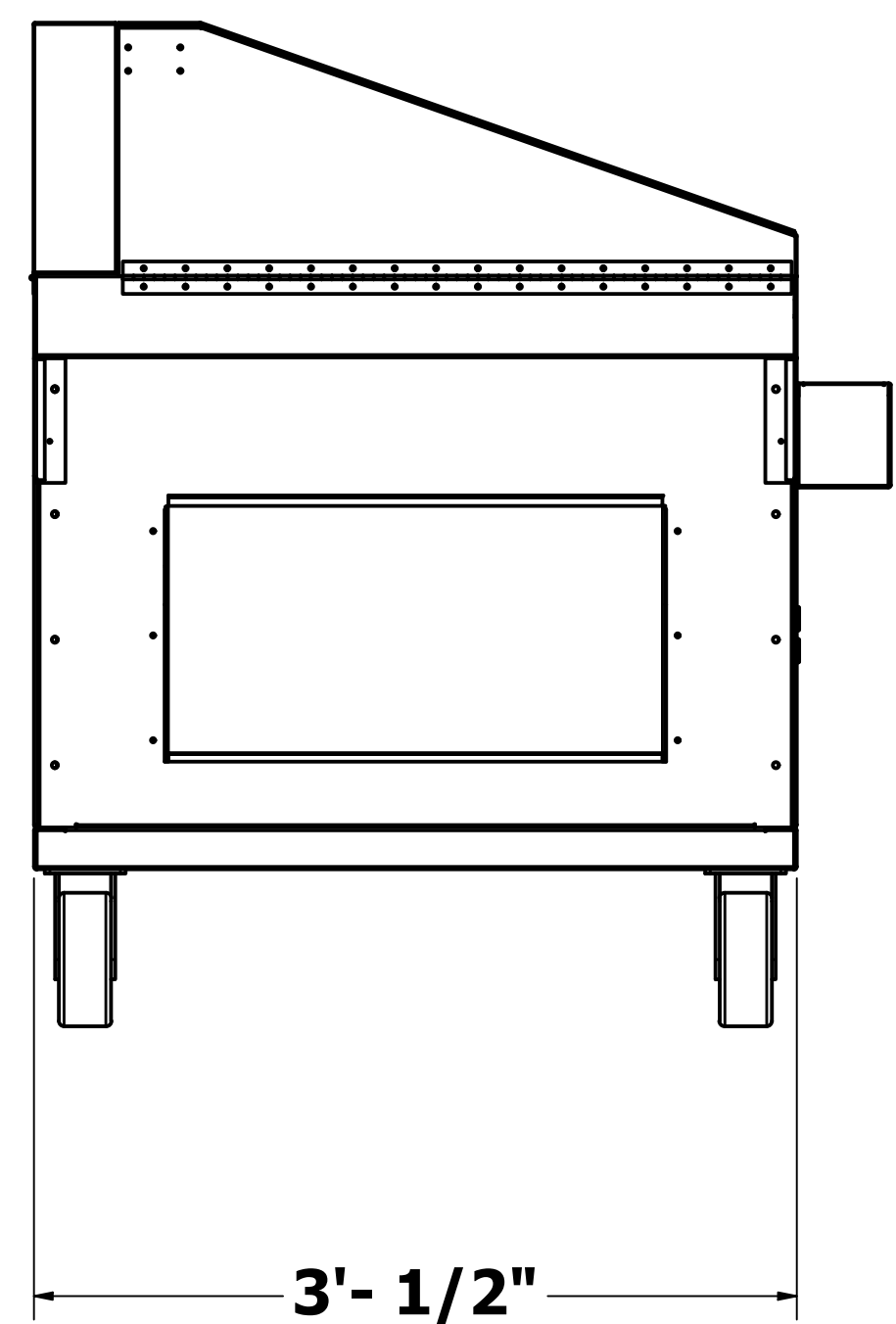
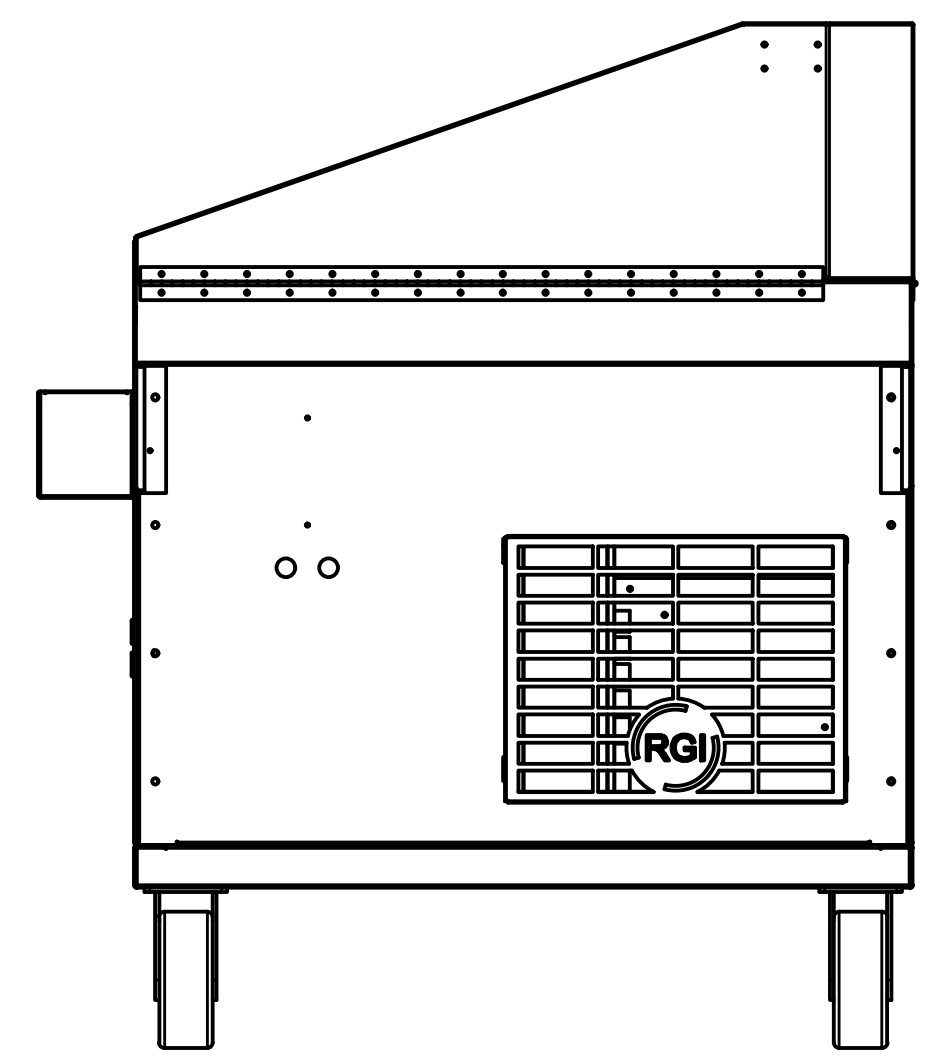
6'-0"  
WIDTH



1'-0"  
3'-0"  
HEIGHT



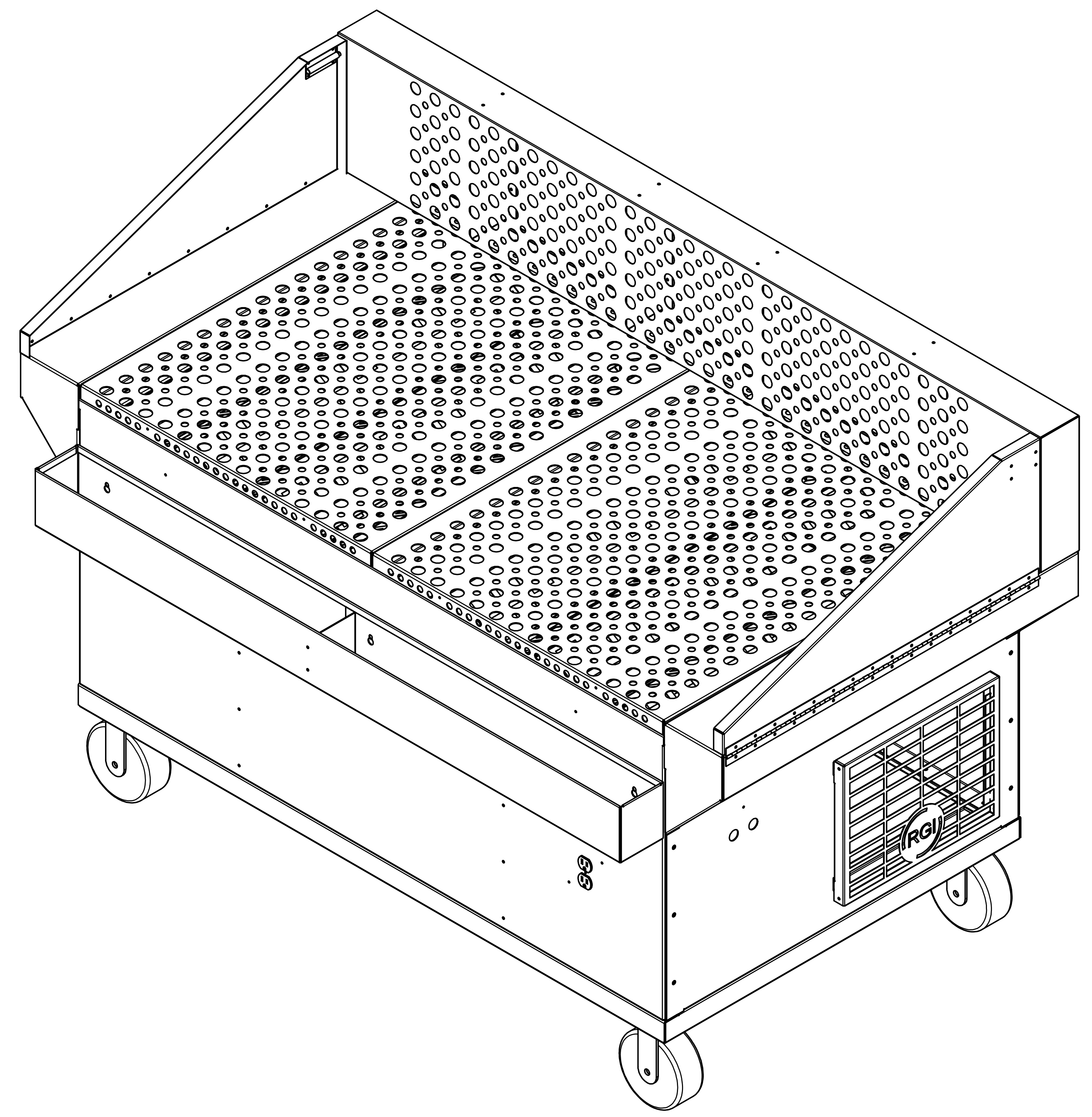
6'-2"



3'- 1/2"  
LENGTH

DRAWN Curtis K	8/11/2023	RGI SPRAY BOOTHS		
CHECKED		TITLE		
QA		<b>DOWN DRAFT TABLE 72"W BACK AND SIDE GUARD</b>		
MFG		PART #	DWG NO	REV
APPROVED				
		SCALE 1 / 9	SHEET 2 OF 36	

PARTS LIST			
ITEM	QTY	PART NUMBER	DESCRIPTION
DDT2	2	DOWN DRAFT TABLE BASE PANEL END STIFFENING FLANGE 16GA	
DDT27	1	DRAFT TABLE FILTER END PANEL LEFT 36_500 X 25_500	
DDT26	1	DRAFT TABLE END PANEL 36_500 X 25_500	
DDT36	2	DOWN DRAFT TABLE BLOWER ANGLE 1 X 1 X 18	#3747 (1)
DDT42	1	DOWN DRAFT TABLE EXHAUST L DIFFUSER	
DDT43	1	DOWN DRAFT TABLE BASE PANEL 60 X 36_500 16GA	#3728 (1)
DDT44	1	DOWN DRAFT FILTER FRAME MIDDLE CROSS 55_675 X 5_800	
DDT45	1	DRAFT TABLE FRONT SIDE 60X24_500	#3746 (1)
DDT46	4	DRAFT TABLE CASSETTE TOP 36 X 10	#3745 (2)
DDT47	4	DRAFT TABLE CASSETTE FILTER END PANEL 27_340 X 4_650	
DDT48	2	DRAFT TABLE CASSETTE FILTER GRID 27"L	
DDT49	4	DRAFT TABLE FILTER CASSETTE ANGLE 36" 63 DEG	
DDT50	1	DOWN DRAFT TABLE DIVIDER 36_350 X 14	
DDT51	1	DOWN DRAFT FILTER TABLE DIVIDER 36_350 X 14	
DDT52	1	DRAFT TABLE BACK SIDE 60X24_500	#3753 (1)
DDT53	2	DOWN DRAFT FILTER FRAME END CROSS 36_25 X 4_875	
DDT54	1	DOWN DRAFT TABLE BLOWER VENT TUNNEL 5_250"L	
DDT55	1	DOWN DRAFT FILTER FRAME MIDDLE CROSS 55_675 X6_900	
DDT56	2	DOWN DRAFT TABLE INSIDE AREA REDUCER 27_750	
DDT57	1	DOWN DRAFT TABLE RIGHT EXTENTION 36_500 X 6	
DDT58	1	DOWN DRAFT TABLE LEFT EXTENTION 36_500 X 6	
DDT61	2	DOWN DRAFT TABLE PIVOT CUBBIE ANGLE 12"	
DDT62	1	DOWN DRAFT TABLE PIVOT CUBIE FRONT 24" X 12"	
DDT63	1	DOWN DRAFT TABLE PIVOT CUBIE BACK	
DDT64	1	DOWN DRAFT TABLE FRONT DUST PAN	
DDT66	1	DOWN DRAFT TABLE PIVOT CUBBIE ANGLE 26 X 1 X 0_500	
DDT67	1	DOWN DRAFT TABLE RIGHT SIDE GUARD 32_500"	#3752 (1)
DDT68	1	DOWN DRAFT TABLE LEFT SIDE GUARD 32_500"	
DDT69	1	DOWN DRAFT TABLE BACK GUARD HINGE PANEL	
DDT70	1	DOWN DRAFT TABLE BACK GUARD GRATING	
DDT71	2	DOWN DRAFT TABLE GRATING TOP 36 X 30	#3729 (1)
DDT72	4	DOWN DRAFT TABLE GRATING STIFFENER BRACKET 35_850 X 1_875	
DDT73	4	DOWN DRAFT TABLE BACK GUARD GRATING STIFFENER 11_750"	
CW1	4	CASTER WHEEL	
AF-15	1	AIR FORCE INTAKE GRILL_REV 5	#3715 (1)
H87	2	PIANO HINGE 32"	
H86	1	PIANO HINGE 70_500"	
H91	2	ADJUSTABLE BARREL BOLT BASE 4"	



DRAWN Curtis K	8/11/2023	RGI SPRAY BOOTHS	
CHECKED		TITLE	
QA		<b>DOWN DRAFT TABLE 72"W BACK AND SIDE GUARD</b>	
MFG		PART #	DWG NO
APPROVED			REV
		SCALE 1 / 5	SHEET 3 OF 36

8 7 6 5 4 3 2 1

**PARTS LIST**

ITEM	QTY	PART NUMBER	DESCRIPTION
DDT44	1	DOWN DRAFT FILTER FRAME MIDDLE CROSS 55_675 X 5_800	
DDT45	1	DRAFT TABLE FRONT SIDE 60X24_500	

D

D

**RIVET AND SPOT WIELD**

**RIVET NUT**

**RIVET NUT**

**RIVET NUT**

**DDT45**

**DDT44**

C

C

B

B

A

A

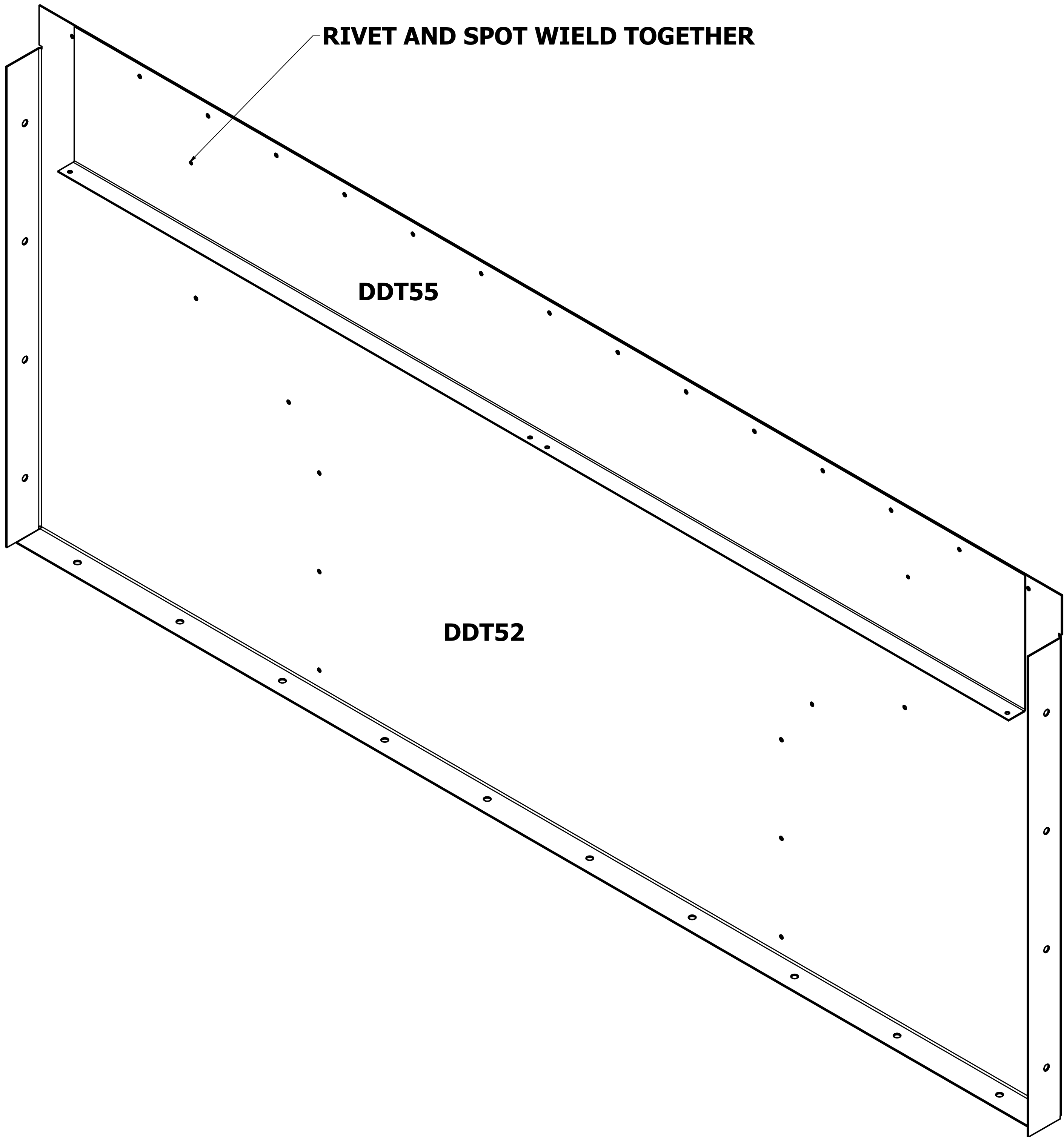
DRAWN Curtis K	8/11/2023	RGI SPRAY BOOTHS	
CHECKED		TITLE <b>DOWN DRAFT TABLE FRONT PANEL ASSEMBLY</b>	
QA		PART #	DWG NO
MFG			
APPROVED			REV
		SCALE 1 / 3	SHEET 4 OF 36

8 7 6 5 4 3 2 1

8 7 6 5 4 3 2 1

**PARTS LIST**

ITEM	QTY	PART NUMBER	DESCRIPTION
DDT52	1	DRAFT TABLE BACK SIDE 60X24_500	
DDT55	1	DOWN DRAFT FILTER FRAME MIDDLE CROSS 55_675 X6_900	



DRAWN Curtis K	8/11/2023	RGI SPRAY BOOTHS	
CHECKED		TITLE	
QA		<b>DOWN DRAFT TABLE BACK PANEL ASSEMBLY</b>	
MFG		PART #	DWG NO
APPROVED			REV
		SCALE 1 / 3	SHEET 5 OF 36

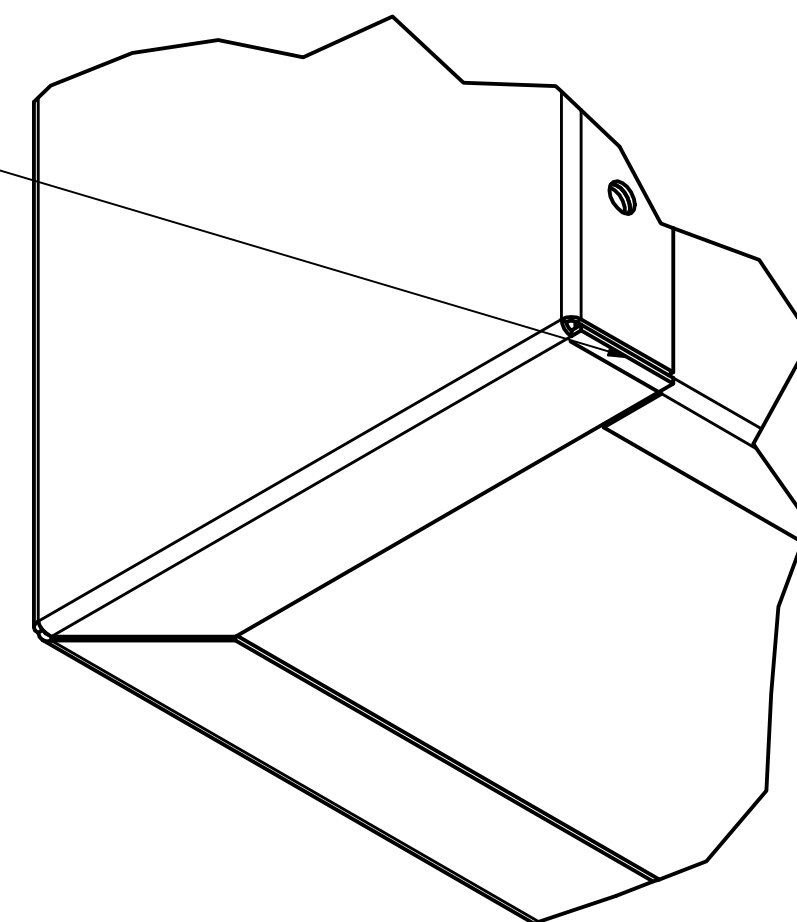
8 7 6 5 4 3 2 1

8 7 6 5 4 3 2 1

**PARTS LIST**

ITEM	QTY	PART NUMBER	DESCRIPTION
DDT69	1	DOWN DRAFT TABLE BACK GUARD HINGE PANEL	
DDT70	1	DOWN DRAFT TABLE BACK GUARD GRATING	
DDT73	4	DOWN DRAFT TABLE BACK GUARD GRATING STIFFENER 11_750"	

INSERT DDT69 THROUGH SLOT



RIVET

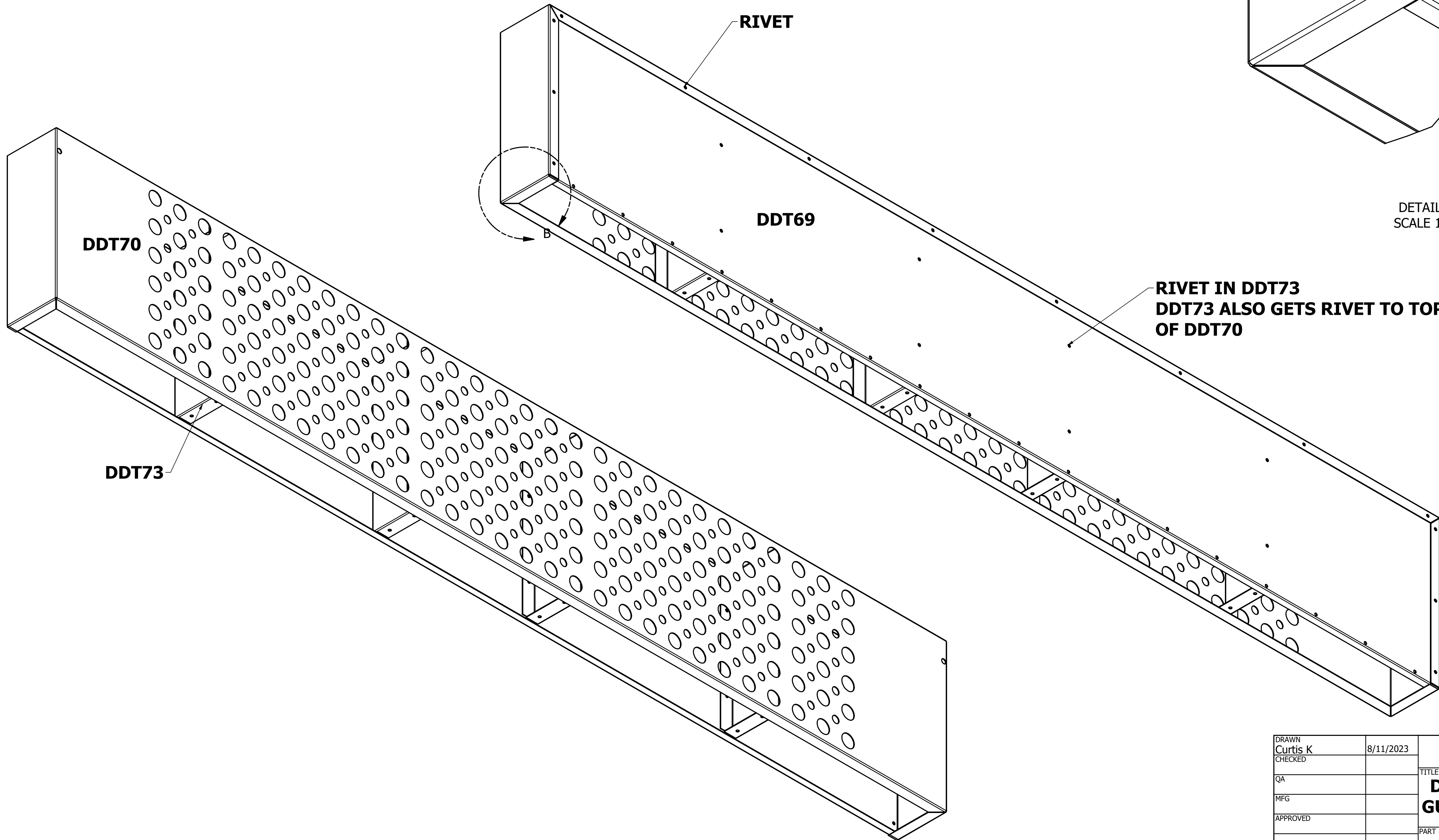
DDT69

DETAIL B  
SCALE 1 / 1

RIVET IN DDT73  
DDT73 ALSO GETS RIVET TO TOP  
OF DDT70

DDT70

DDT73



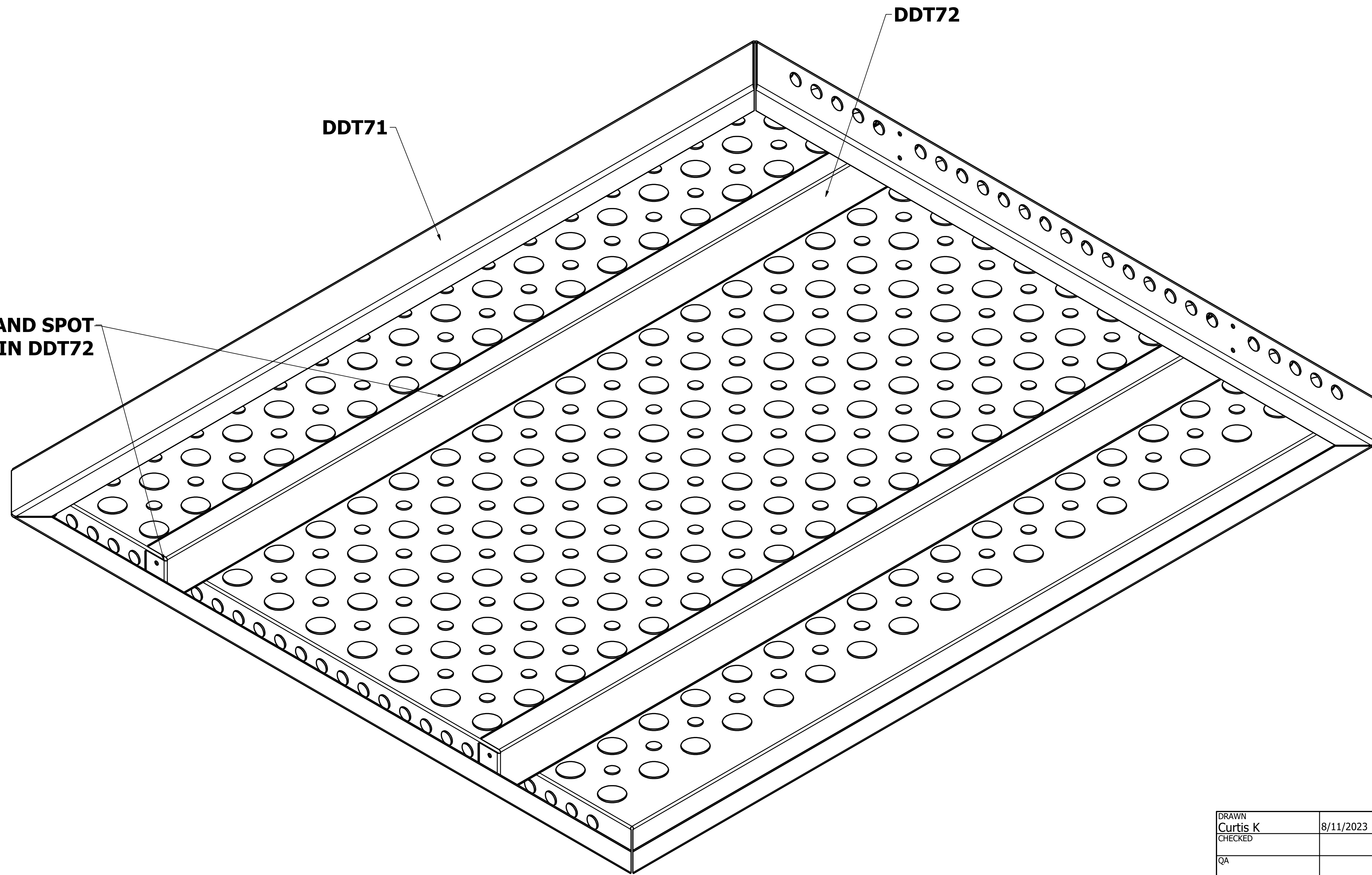
DRAWN Curtis K	8/11/2023	RGI SPRAY BOOTHS	
CHECKED		TITLE <b>DOWN DRAFT TABLE BACK GUARD GRATING ASSEMBLY</b>	
QA		PART #	DWG NO
MFG		DOWN DRAFT TABLE 72"W SIDE &	
APPROVED		SCALE 1 / 3	REV
		SHEET 6 OF 36	

8 7 6 5 4 4 3 2 1

8 7 6 5 4 3 2 1

**PARTS LIST**

ITEM	QTY	PART NUMBER	DESCRIPTION
DDT72	2	DOWN DRAFT TABLE GRATING STIFFENER BRACKET 35_850 X 1_875	
DDT71	1	DOWN DRAFT TABLE GRATING TOP 36 X 30	



**RIVET AND SPOT WELD IN DDT72**

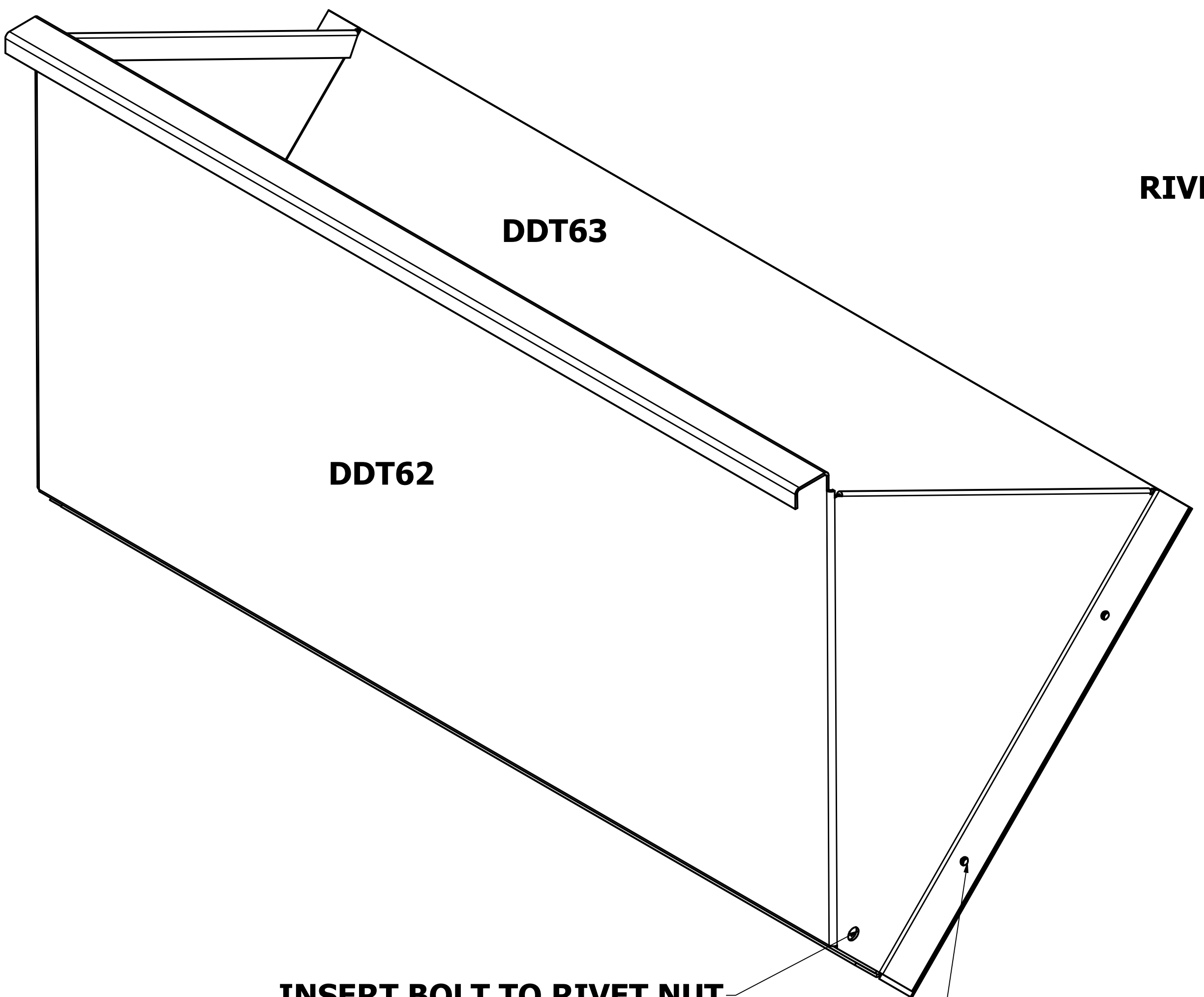
**DDT72**

**DDT71**

DRAWN Curtis K	8/11/2023	RGI SPRAY BOOTHS	
CHECKED		TITLE <b>DOWN DRAFT TABLE GRATING ASSEMBLY</b>	
QA		PART #	DWG NO
MFG			
APPROVED			REV
		SCALE 1 / 2	SHEET 7 OF 36

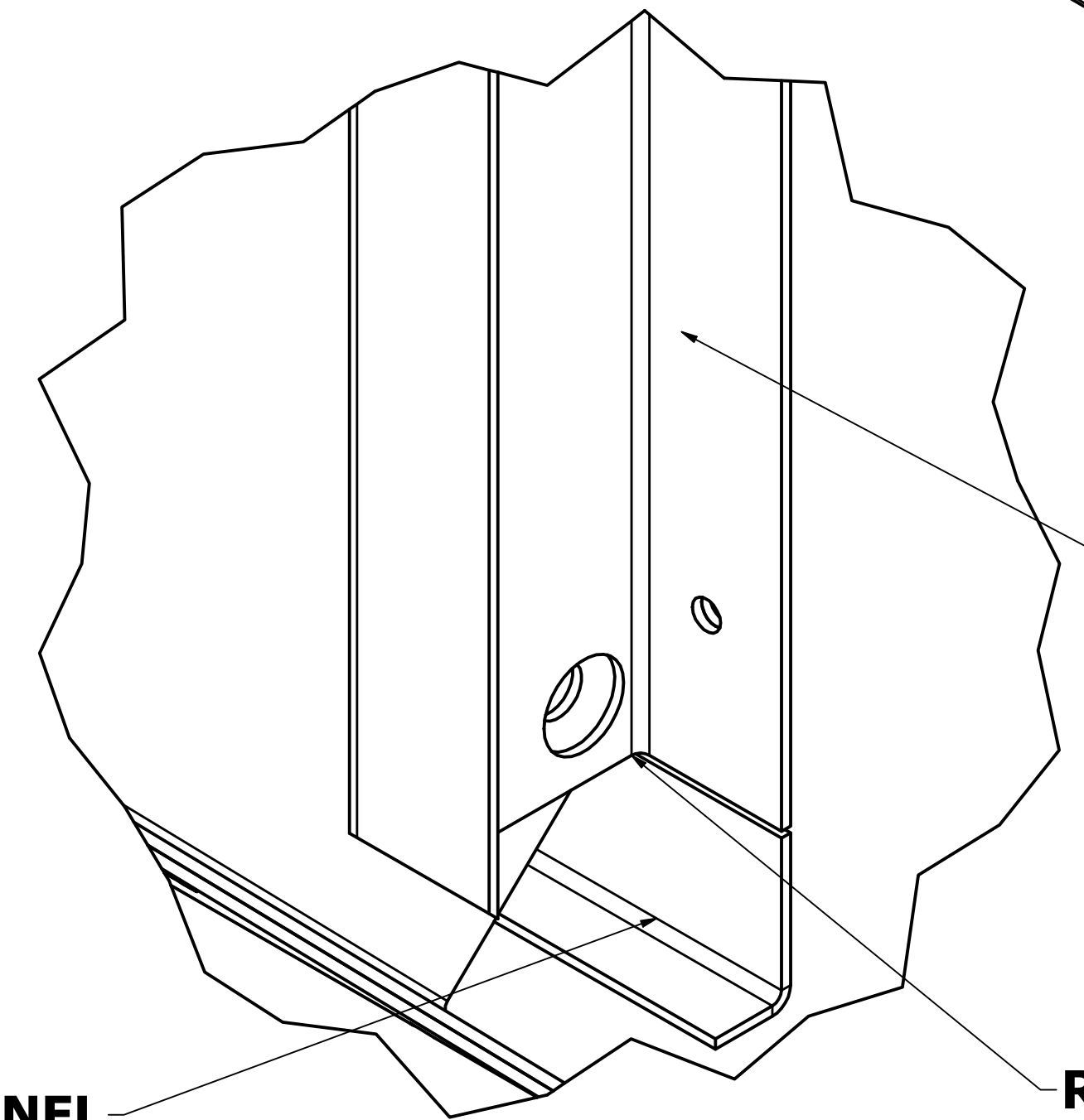
8 7 6 5 4 4 3 2 1

PARTS LIST			
ITEM	QTY	PART NUMBER	DESCRIPTION
DDT26	1	DRAFT TABLE END PANEL 36_500 X 25_500	
DDT61	2	DOWN DRAFT TABLE PIVOT CUBBIE ANGLE 12"	
DDT62	1	DOWN DRAFT TABLE PIVOT CUBIE FRONT 24" X 12"	
DDT63	1	DOWN DRAFT TABLE PIVOT CUBIE BACK	
DDT66	1	DOWN DRAFT TABLE PIVOT CUBBIE ANGLE 26 X 1 X 0_500	

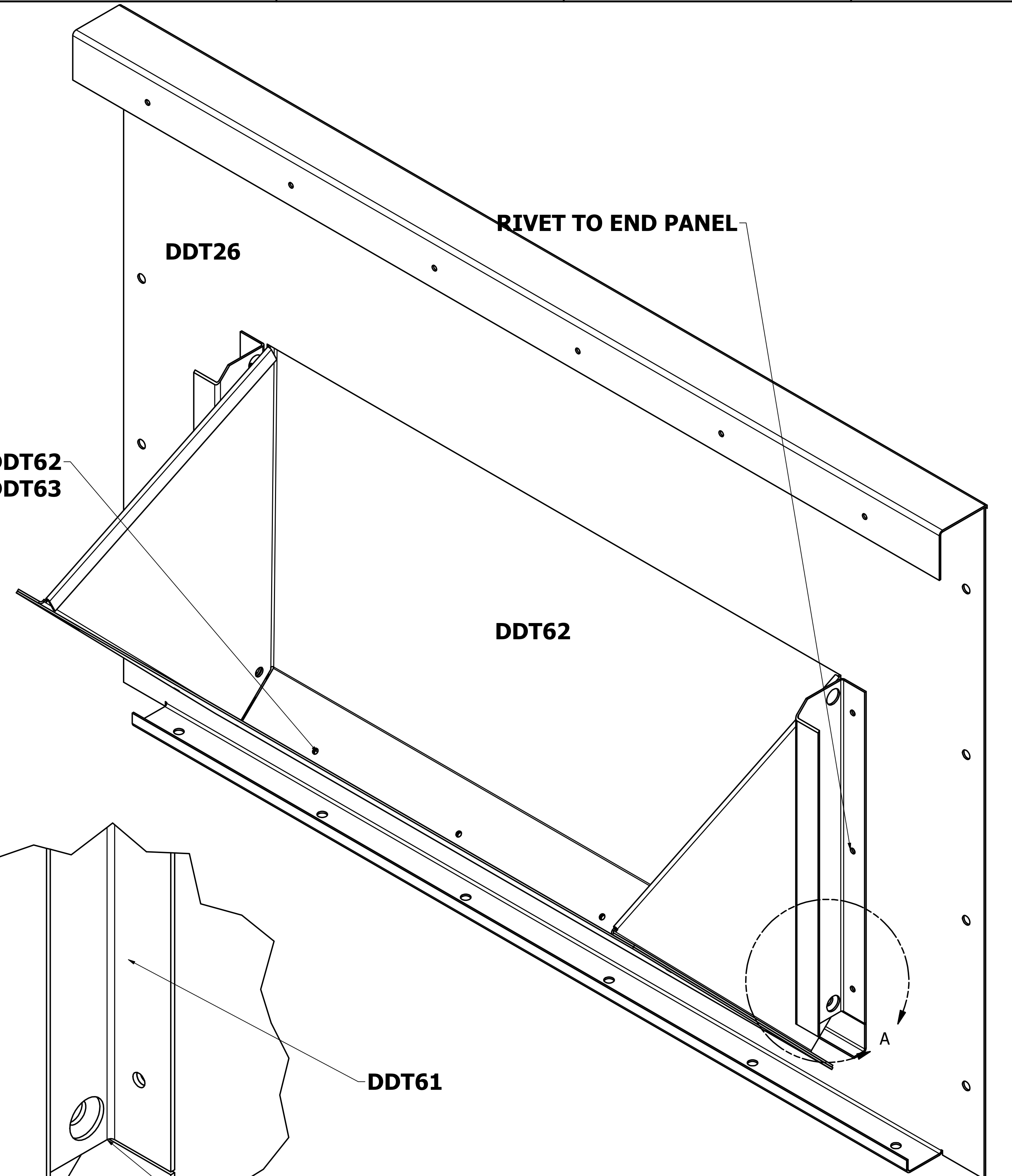


INSERT BOLT TO RIVET NUT

RIVET DDT62 AND DDT63



DDT66 SPOT WIELD TO BOTTOM OF END PANEL



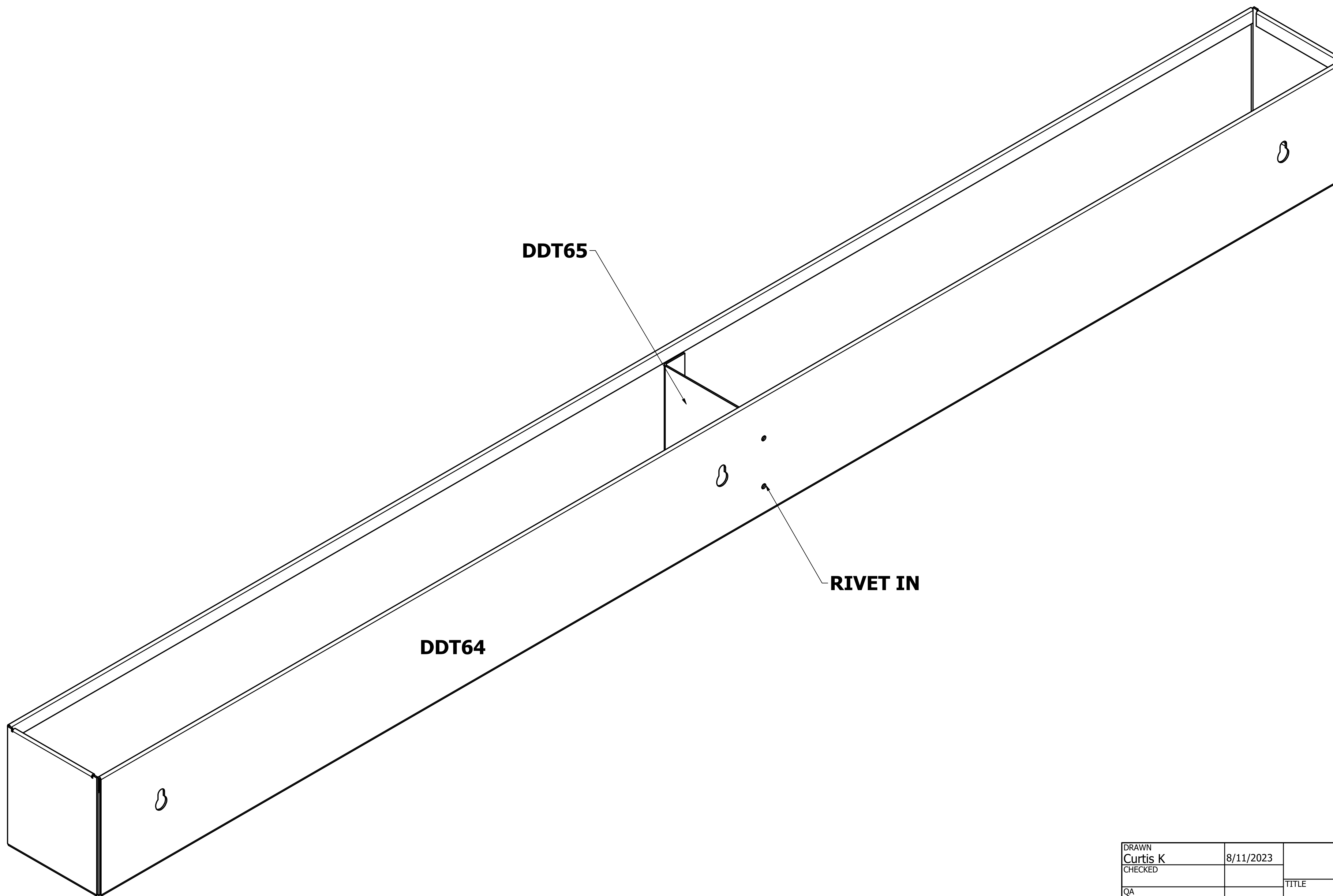
DRAWN Curtis K	8/11/2023	RGI SPRAY BOOTHS	
CHECKED		TITLE	
QA		<b>DOWN DRAFT TABLE CUBBIE PANEL ASSEMBLY</b>	
MFG		PART #	DWG NO
APPROVED		DOWN DRAFT TABLE 72"W SIDE &	
		SCALE 1 / 2	SHEET 8 OF 36



8 7 6 5 4 3 2 1

**PARTS LIST**

ITEM	QTY	PART NUMBER	DESCRIPTION
DDT64	1	DOWN DRAFT TABLE FRONT DUST PAN	
DDT65	1	DOWN DRAFT TABLE FRONT DUCT PAN SUPPORT ANGLE	



DRAWN Curtis K	8/11/2023	RGI SPRAY BOOTHS	
CHECKED		TITLE	
QA		<b>DOWN DRAFT TABLE DUST PAN ASSEMBLY</b>	
MFG		PART #	DWG NO
APPROVED			REV
		SCALE 1 / 2	SHEET 9 OF 36

8 7 6 5 4 3 2 1

8 7 6 5 4 3 2 1

**PARTS LIST**

ITEM	QTY	PART NUMBER	DESCRIPTION
DDT46	2	DRAFT TABLE CASSETTE TOP 36 X 10	
DDT47	2	DRAFT TABLE CASSETTE FILTER END PANEL 27_340 X 4_650	
DDT48	1	DRAFT TABLE CASSETTE FILTER GRID 27"L	
DDT49	2	DRAFT TABLE FILTER CASSETTE ANGLE 36" 63 DEG	

D

D

C

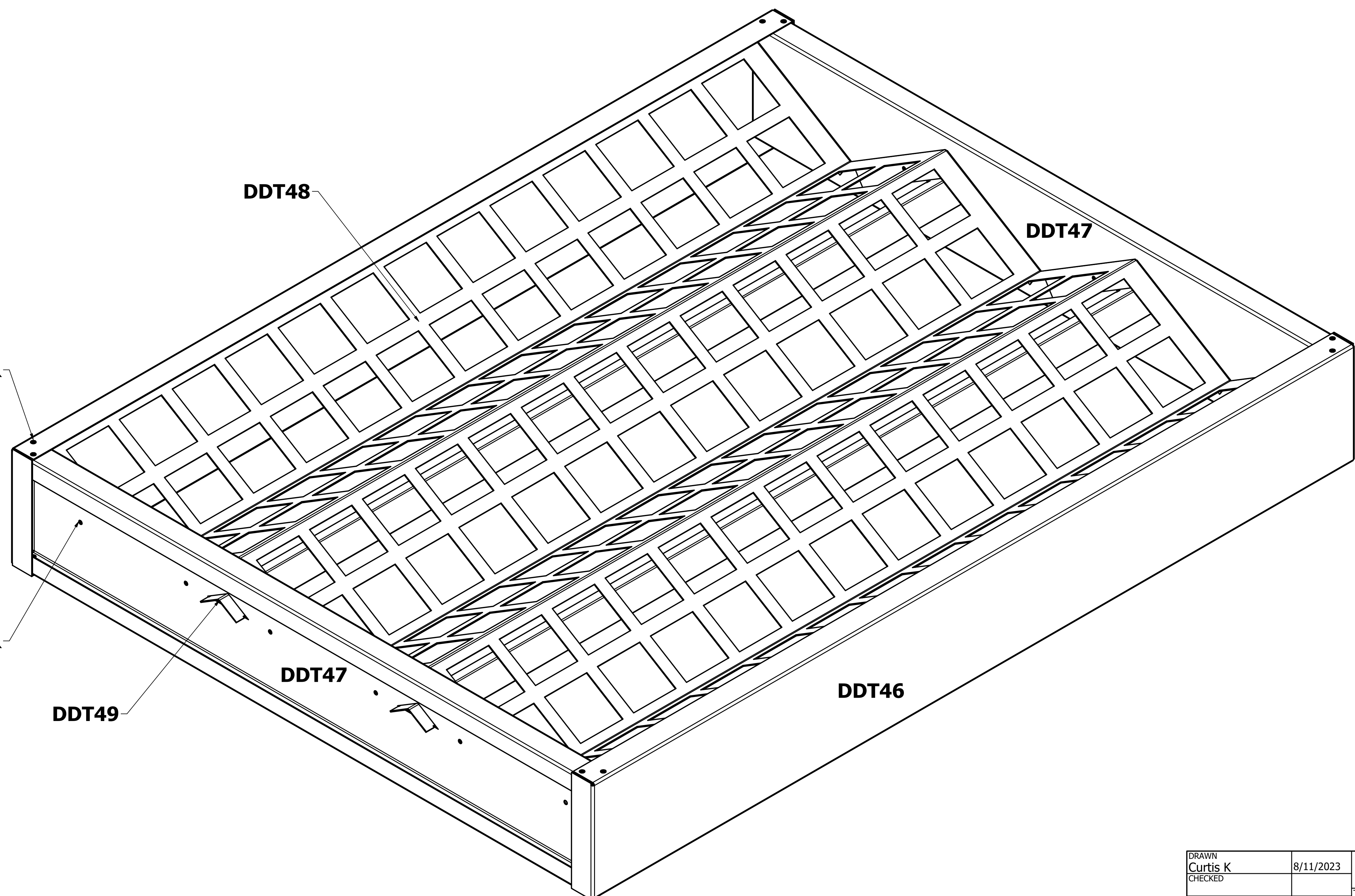
C

B

B

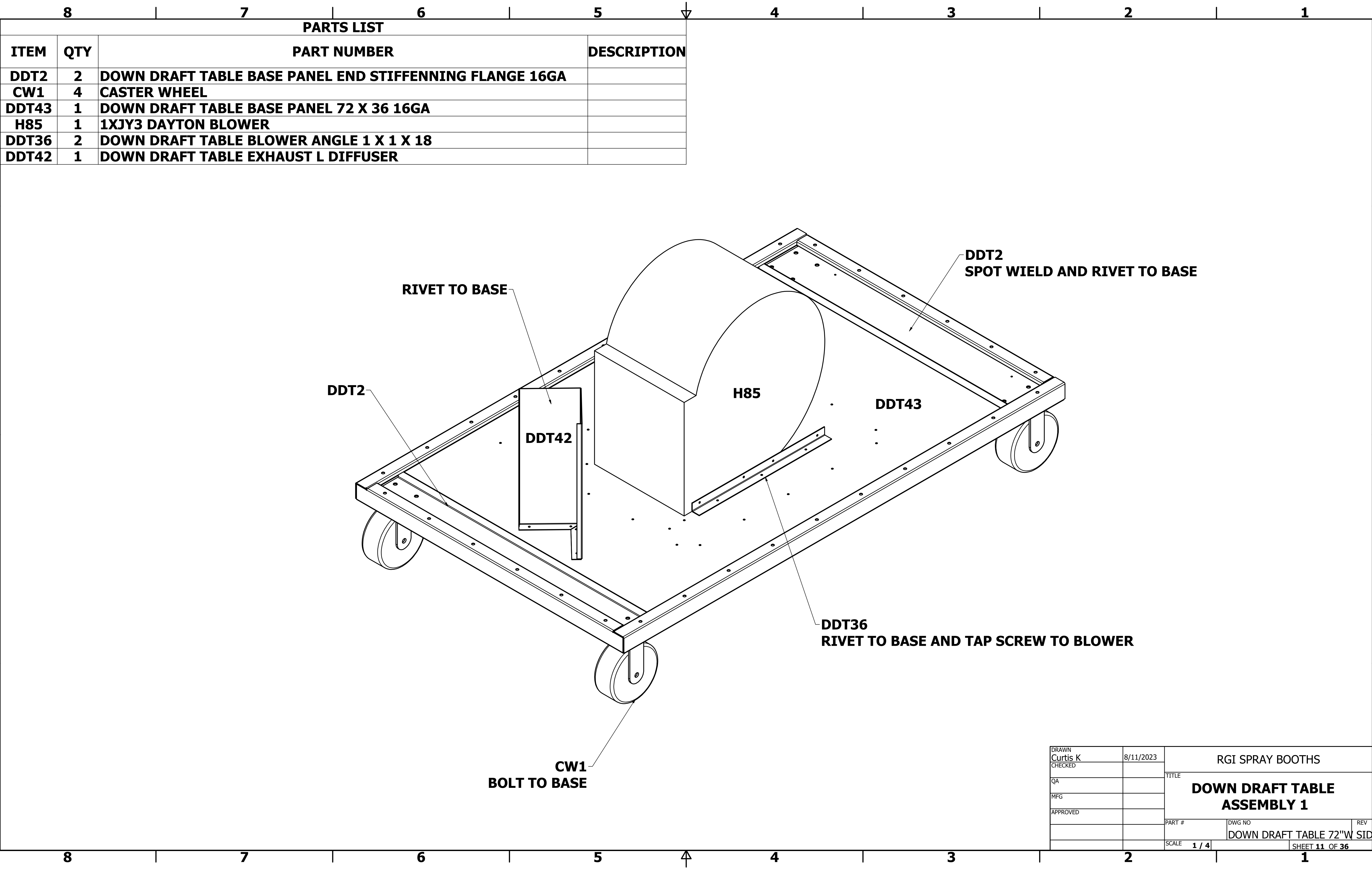
A

A



DRAWN Curtis K	8/11/2023	RGI SPRAY BOOTHS	
CHECKED		TITLE	
QA		<b>DOWN DRAFT TABLE CASSETTE FILTER ASSEMBLY</b>	
MFG		PART #	DWG NO
APPROVED			REV
		SCALE 1 / 2	SHEET 10 OF 36

8 7 6 5 4 4 3 2 1



**PARTS LIST**

ITEM	QTY	PART NUMBER	DESCRIPTION
DDT2	2	DOWN DRAFT TABLE BASE PANEL END STIFFENING FLANGE 16GA	
CW1	4	CASTER WHEEL	
DDT43	1	DOWN DRAFT TABLE BASE PANEL 72 X 36 16GA	
H85	1	1XJY3 DAYTON BLOWER	
DDT36	2	DOWN DRAFT TABLE BLOWER ANGLE 1 X 1 X 18	
DDT42	1	DOWN DRAFT TABLE EXHAUST L DIFFUSER	

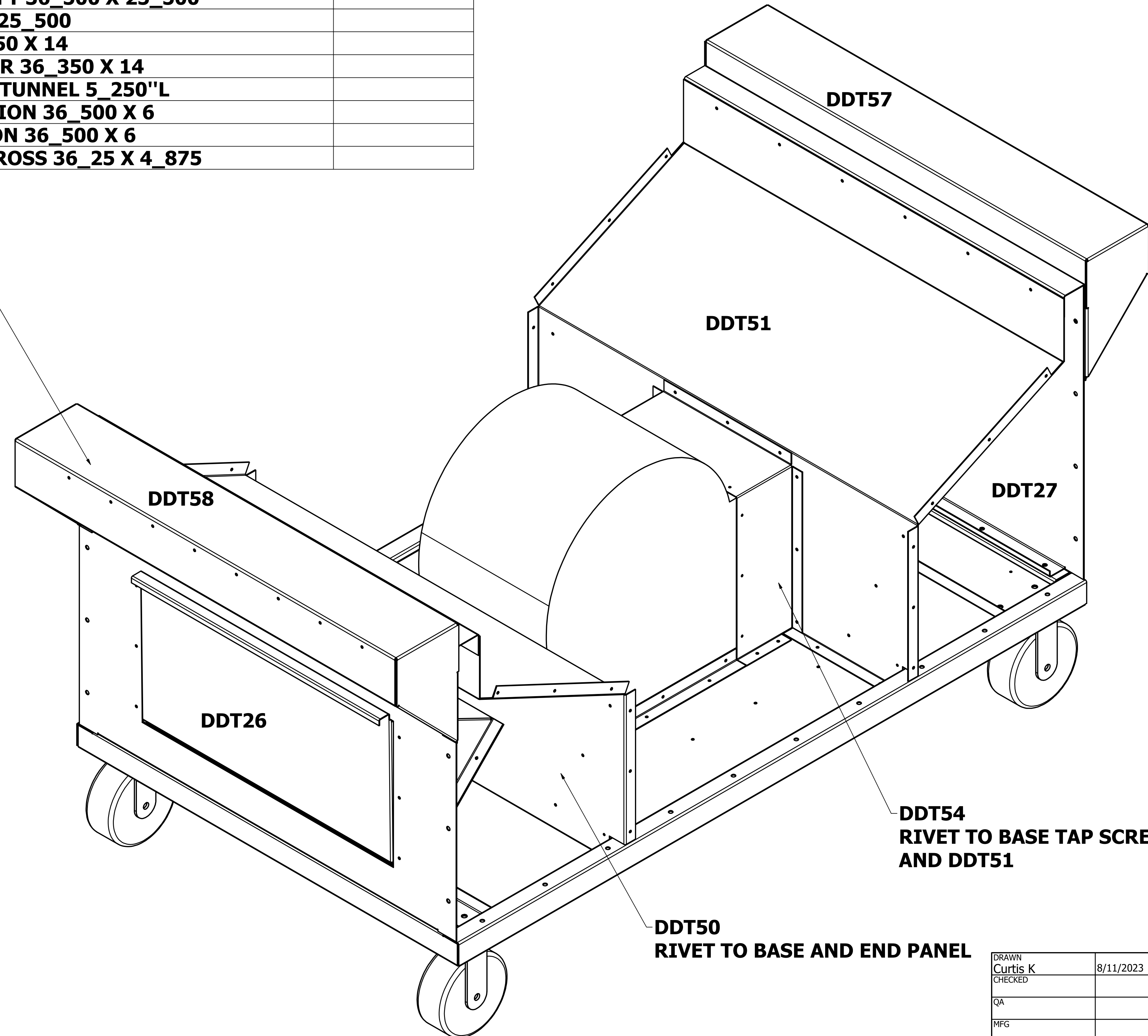
DRAWN Curtis K	8/11/2023	RGI SPRAY BOOTHS	
CHECKED		TITLE <b>DOWN DRAFT TABLE ASSEMBLY 1</b>	
QA		PART #	DWG NO
MFG		DOWN DRAFT TABLE 72"W SIDE &	REV
APPROVED		SCALE 1 / 4	SHEET 11 OF 36

8 7 6 5 4 3 2 1

**PARTS LIST**

ITEM	QTY	PART NUMBER	DESCRIPTION
DDT27	1	DRAFT TABLE FILTER END PANEL LEFT 36_500 X 25_500	
DDT26	1	DRAFT TABLE END PANEL 36_500 X 25_500	
DDT50	1	DOWN DRAFT TABLE DIVIDER 36_350 X 14	
DDT51	1	DOWN DRAFT FILTER TABLE DIVIDER 36_350 X 14	
DDT54	1	DOWN DRAFT TABLE BLOWER VENT TUNNEL 5_250"L	
DDT57	1	DOWN DRAFT TABLE RIGHT EXTENTION 36_500 X 6	
DDT58	1	DOWN DRAFT TABLE LEFT EXTENTION 36_500 X 6	
DDT53	4	DOWN DRAFT FILTER FRAME END CROSS 36_25 X 4_875	

**BOLT DDT58 TO END PANEL  
NOTE: BOLT ON BEFORE DDT50**



**DDT54  
RIVET TO BASE TAP SCREW TO BLOWER  
AND DDT51**

**DDT50  
RIVET TO BASE AND END PANEL**

DRAWN Curtis K	8/11/2023	RGI SPRAY BOOTHS	
CHECKED		TITLE <b>DOWN DRAFT TABLE ASSEMBLY 2</b>	
QA		PART #	DWG NO
MFG			REV
APPROVED		SCALE 1 / 4	
		SHEET 12 OF 36	

8 7 6 5 4 4 3 2 1

D

D

C

C

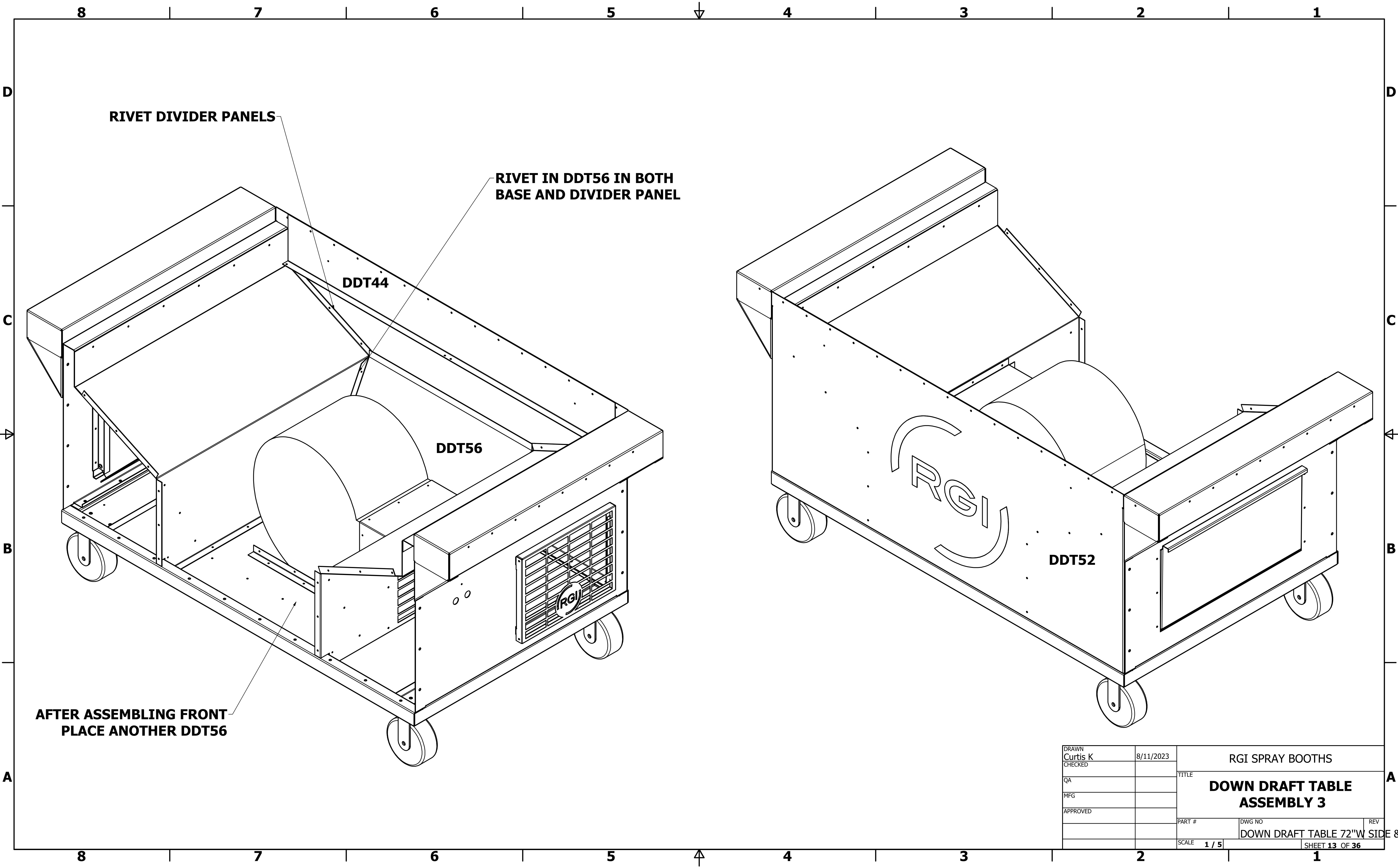
B

B

A

A

SIDE &



RIVET DIVIDER PANELS

RIVET IN DDT56 IN BOTH  
BASE AND DIVIDER PANEL

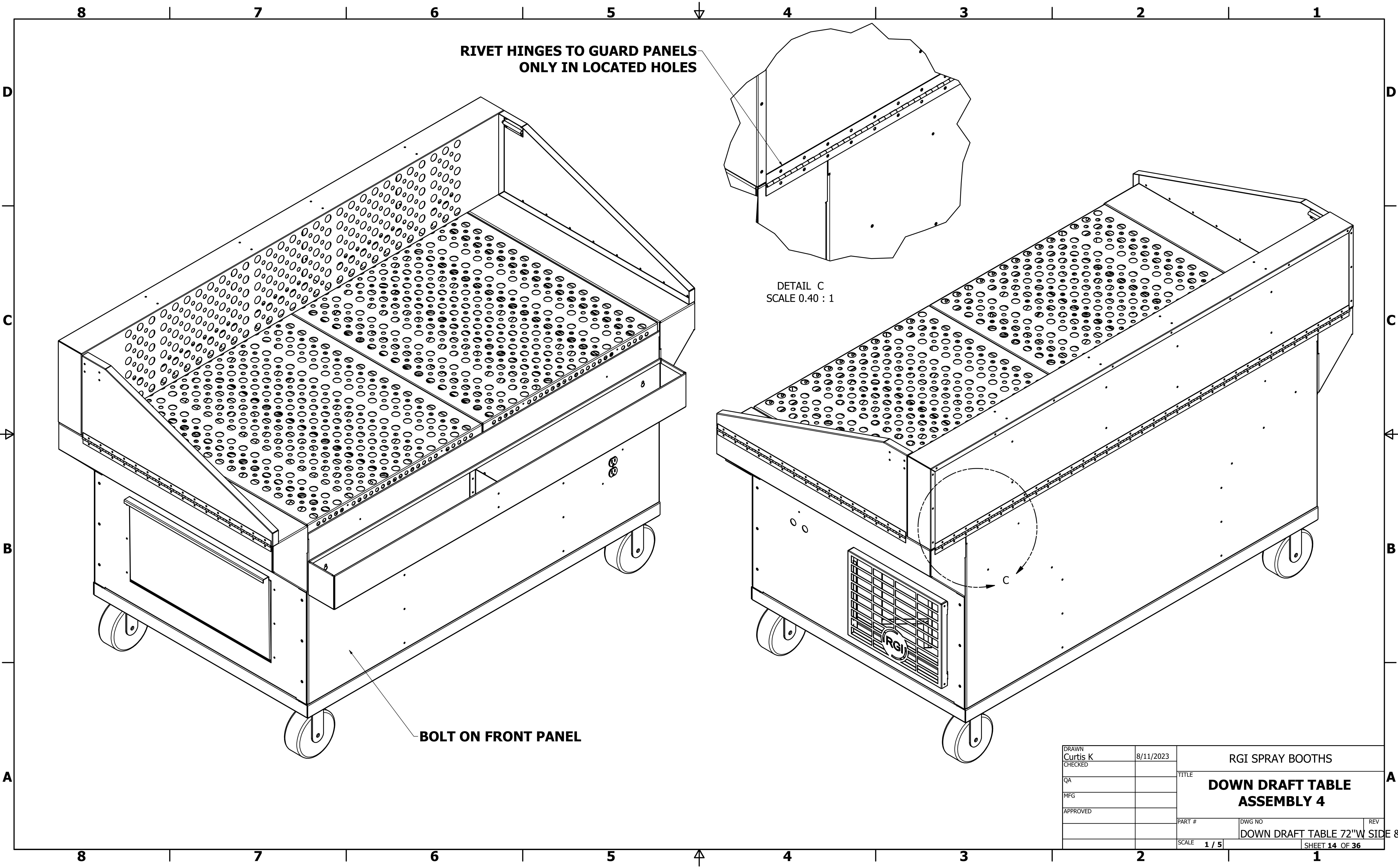
DDT44

DDT56

DDT52

AFTER ASSEMBLING FRONT  
PLACE ANOTHER DDT56

DRAWN Curtis K	8/11/2023	RGI SPRAY BOOTHS	
CHECKED		TITLE	
QA		<b>DOWN DRAFT TABLE ASSEMBLY 3</b>	
MFG		PART #	DWG NO
APPROVED			REV
		SCALE 1 / 5	SHEET 13 OF 36



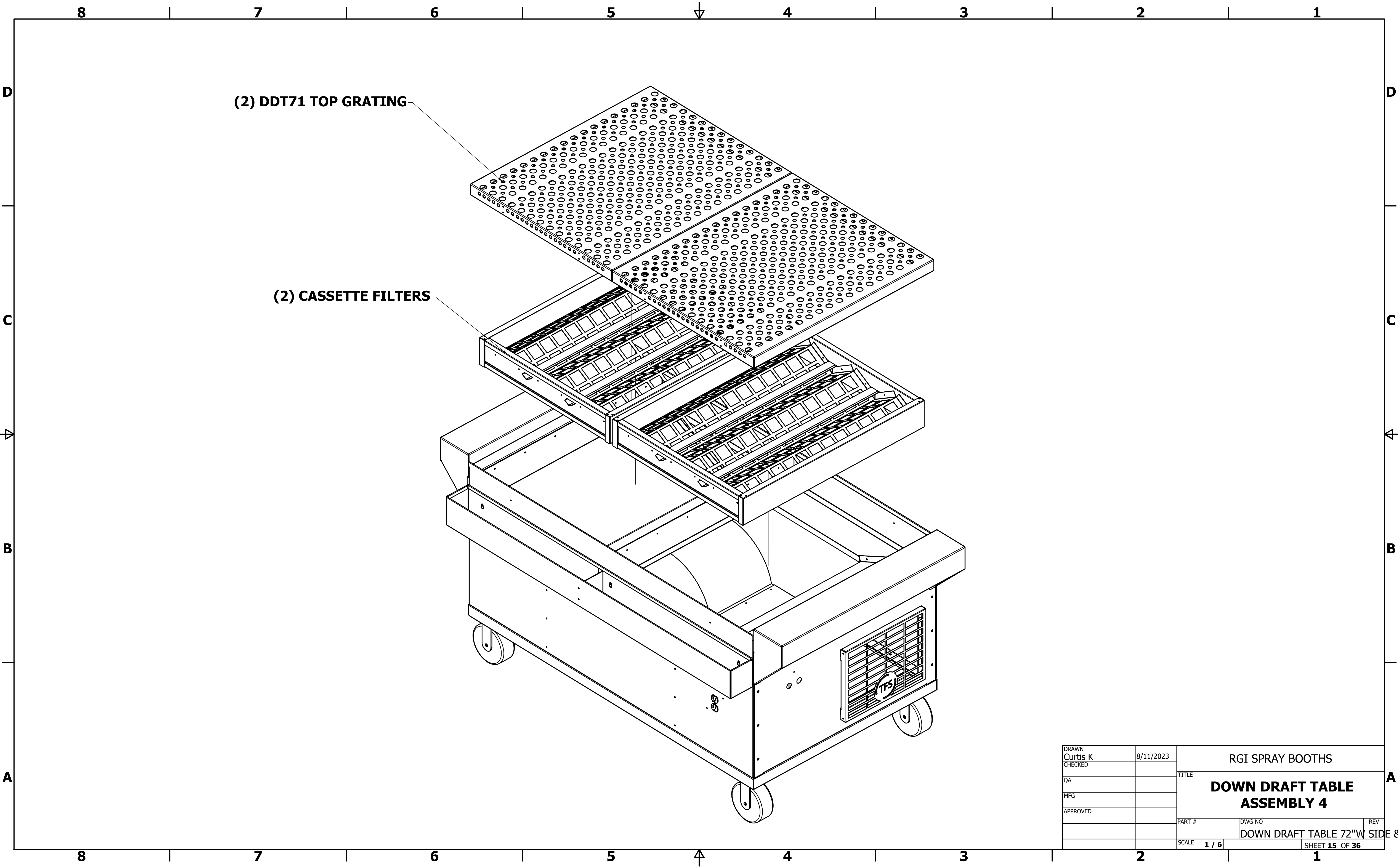
**RIVET HINGES TO GUARD PANELS  
ONLY IN LOCATED HOLES**

DETAIL C  
SCALE 0.40 : 1

**BOLT ON FRONT PANEL**

DRAWN Curtis K	8/11/2023	RGI SPRAY BOOTHS	
CHECKED		TITLE	
QA		<b>DOWN DRAFT TABLE ASSEMBLY 4</b>	
MFG		PART #	DWG NO
APPROVED			REV
		SCALE 1 / 5	SHEET 14 OF 36

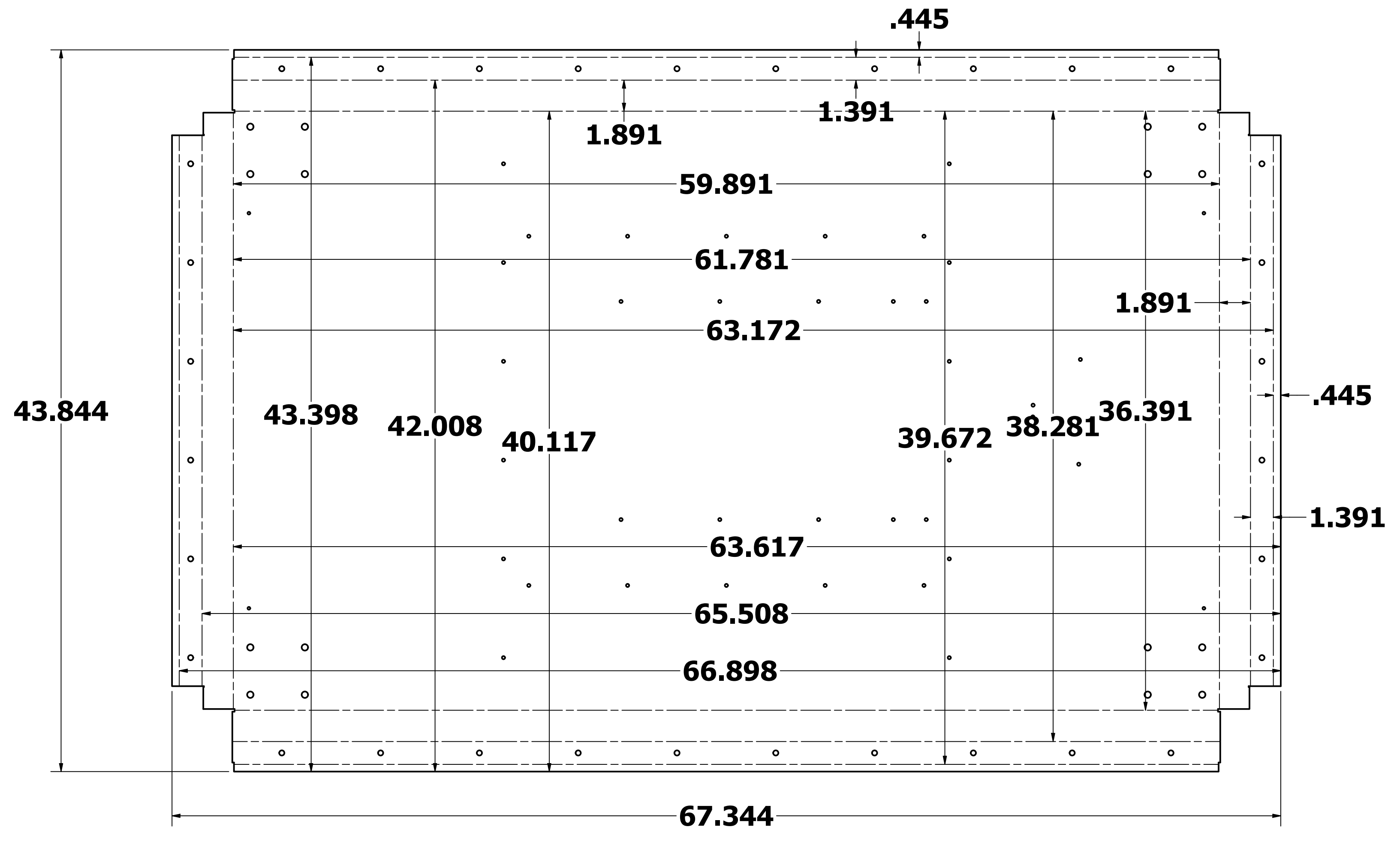
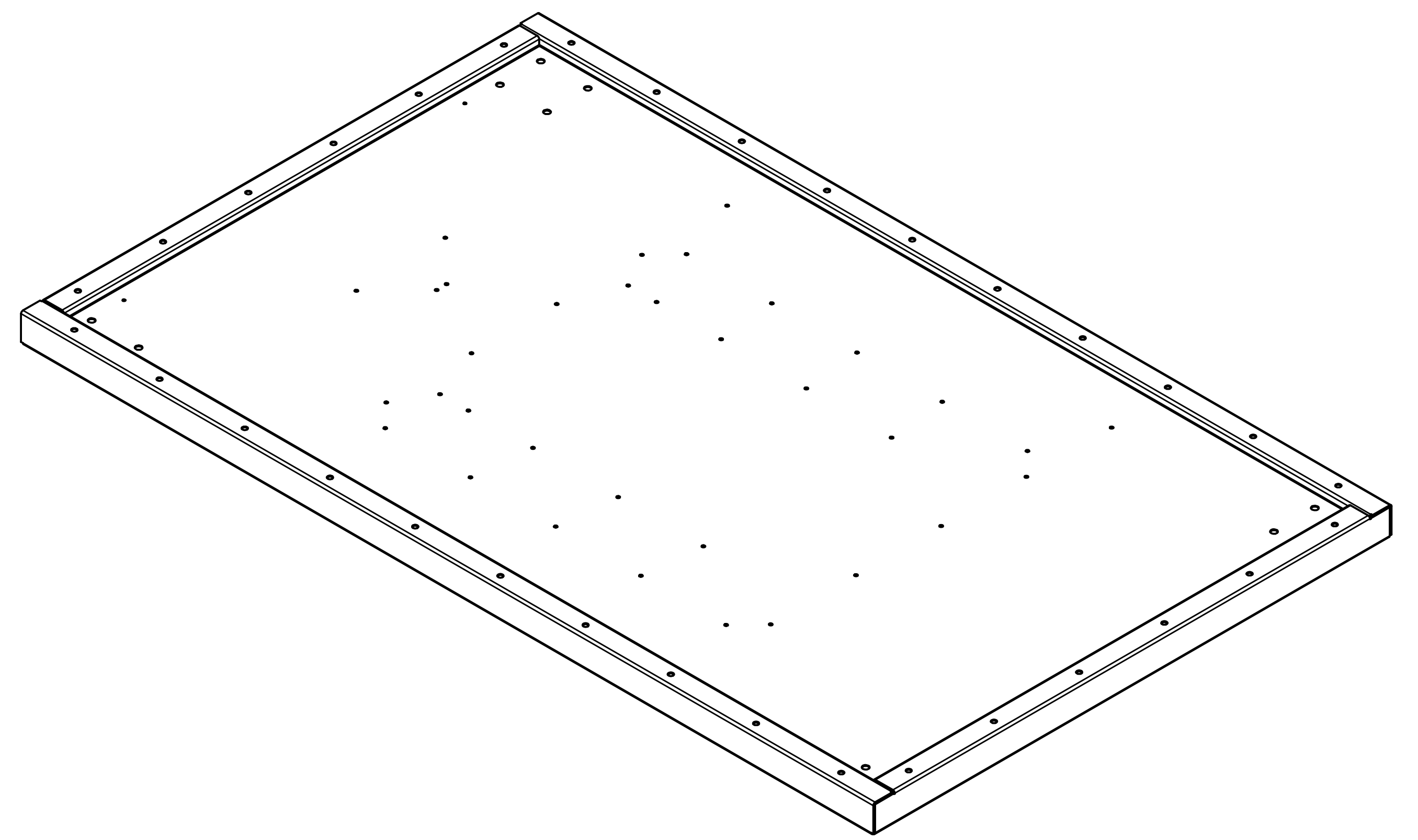
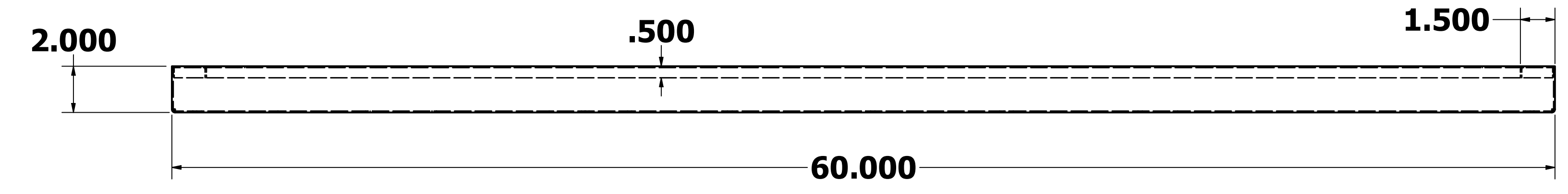
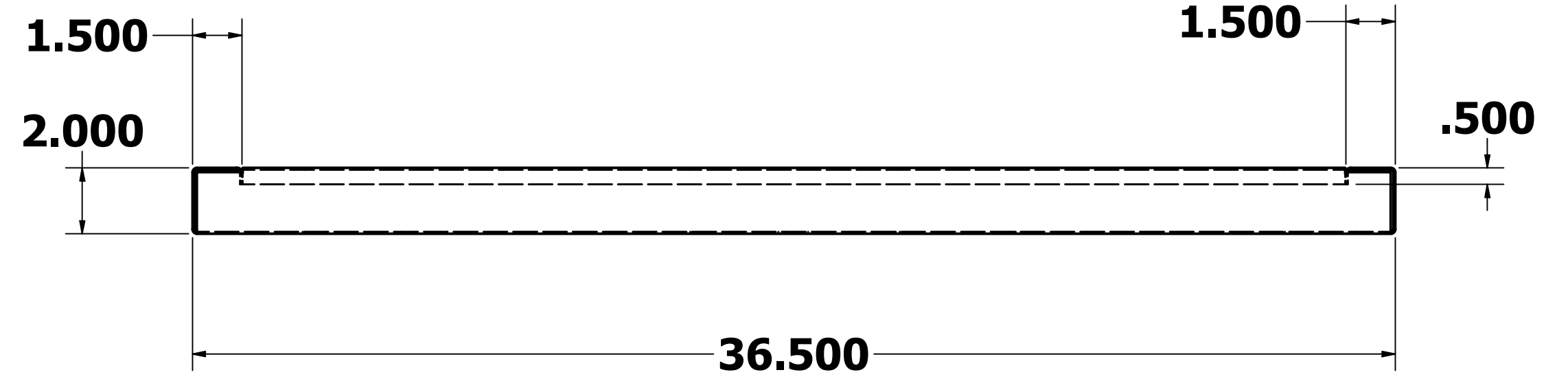
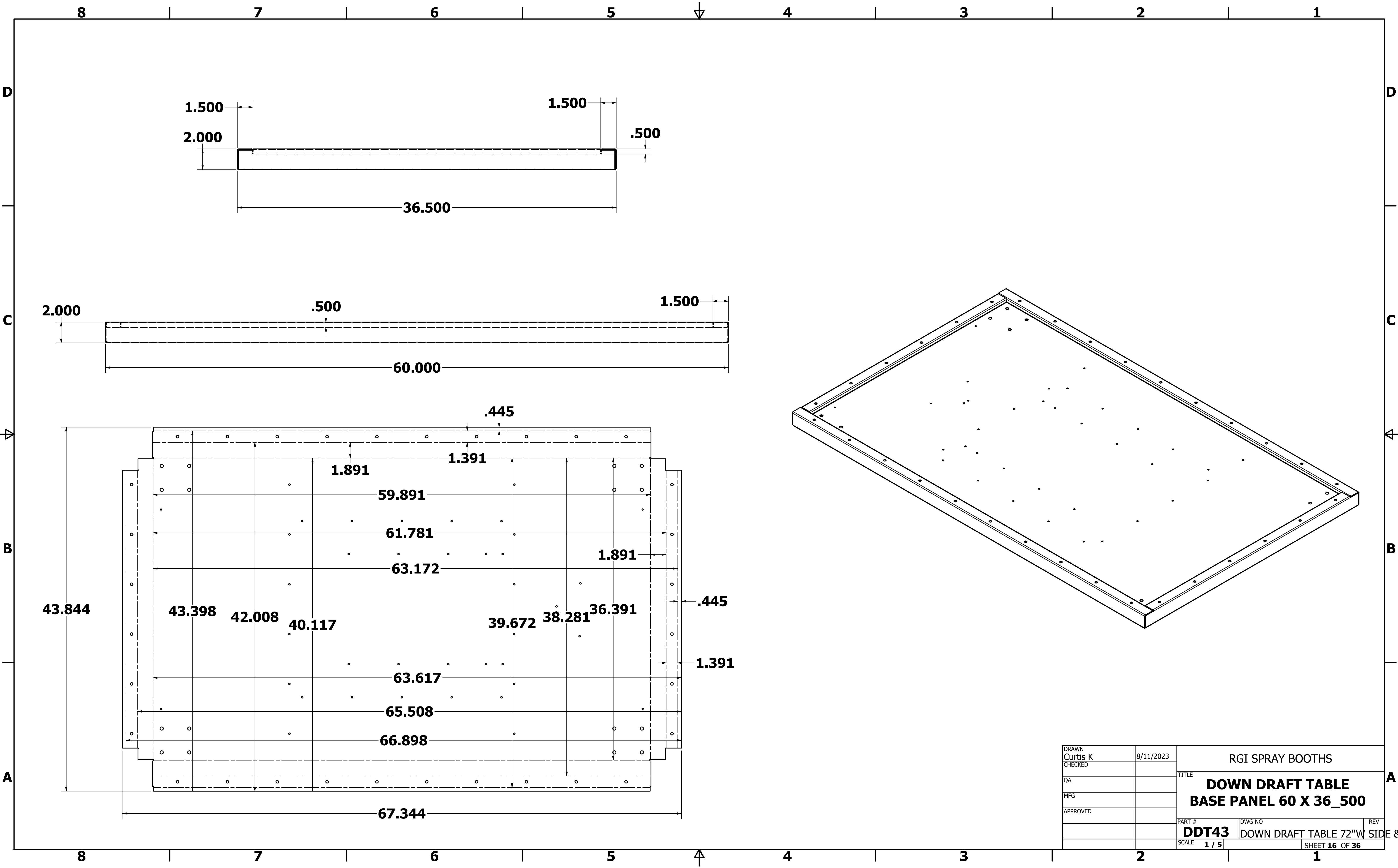
SIDE &



(2) DDT71 TOP GRATING

(2) CASSETTE FILTERS

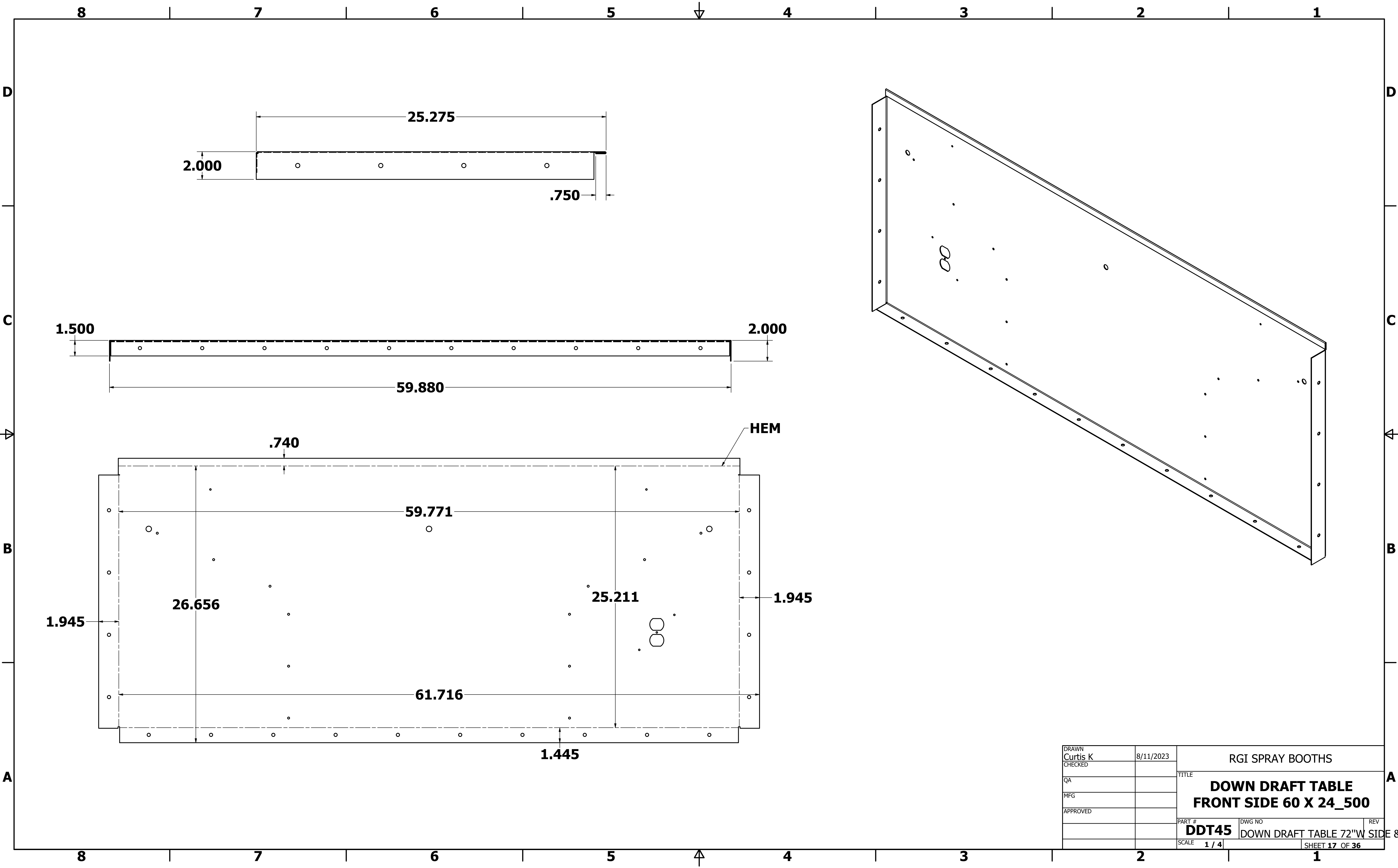
DRAWN Curtis K	8/11/2023	RGI SPRAY BOOTHS	
CHECKED		TITLE	
QA		<b>DOWN DRAFT TABLE ASSEMBLY 4</b>	
MFG			
APPROVED		PART #	DWG NO
		DOWN DRAFT TABLE 72"W SIDE &	
		SCALE 1 / 6	SHEET 15 OF 36



DRAWN Curtis K	8/11/2023	RGI SPRAY BOOTHS	
CHECKED		TITLE <b>DOWN DRAFT TABLE BASE PANEL 60 X 36_500</b>	
QA		PART # <b>DDT43</b>	DWG NO
MFG		SCALE 1 / 5	REV
APPROVED		SHEET 16 OF 36	

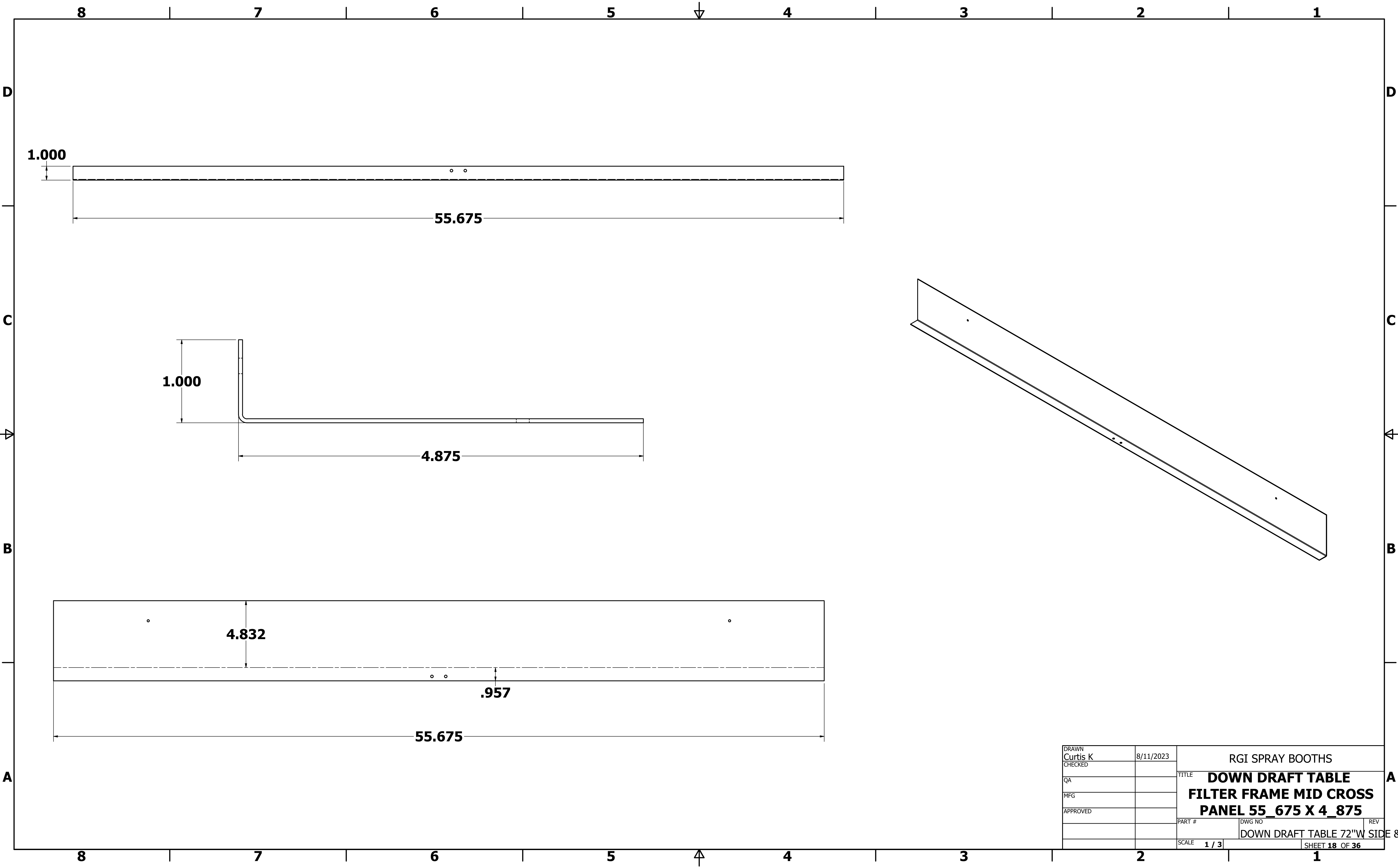
#3728 - 121 X 48 - 16G GALVANIZED STEEL





DRAWN Curtis K	8/11/2023	RGI SPRAY BOOTHS	
CHECKED		TITLE	
QA		<b>DOWN DRAFT TABLE FRONT SIDE 60 X 24_500</b>	
MFG		PART #	DWG NO
APPROVED		<b>DDT45</b>	DOWN DRAFT TABLE 72"W SIDE &
		SCALE 1 / 4	SHEET 17 OF 36

#3746 - 121 X 48 - 16G GALVANIZED STEEL



1.000

55.675

1.000

4.875

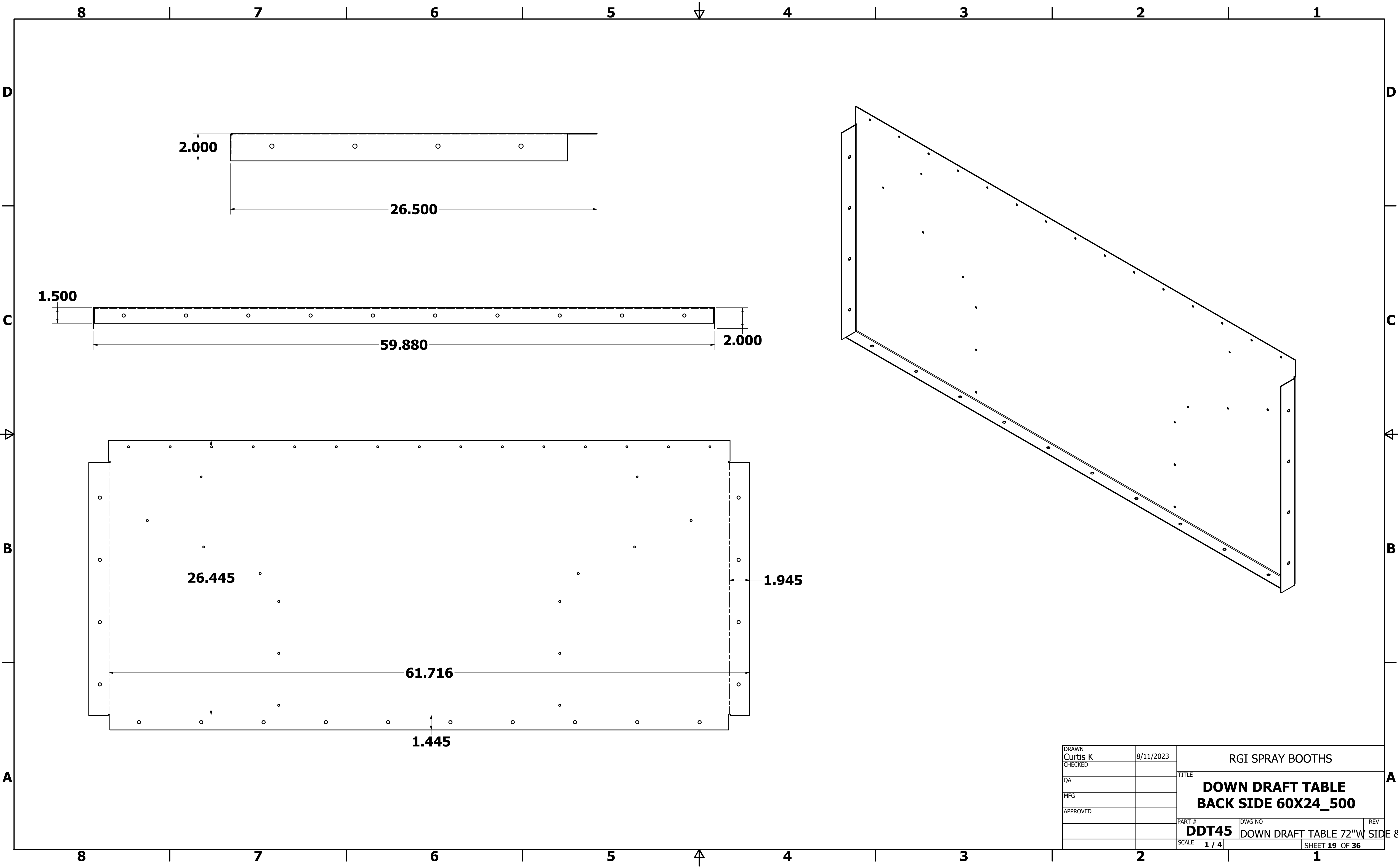
4.832

.957

55.675

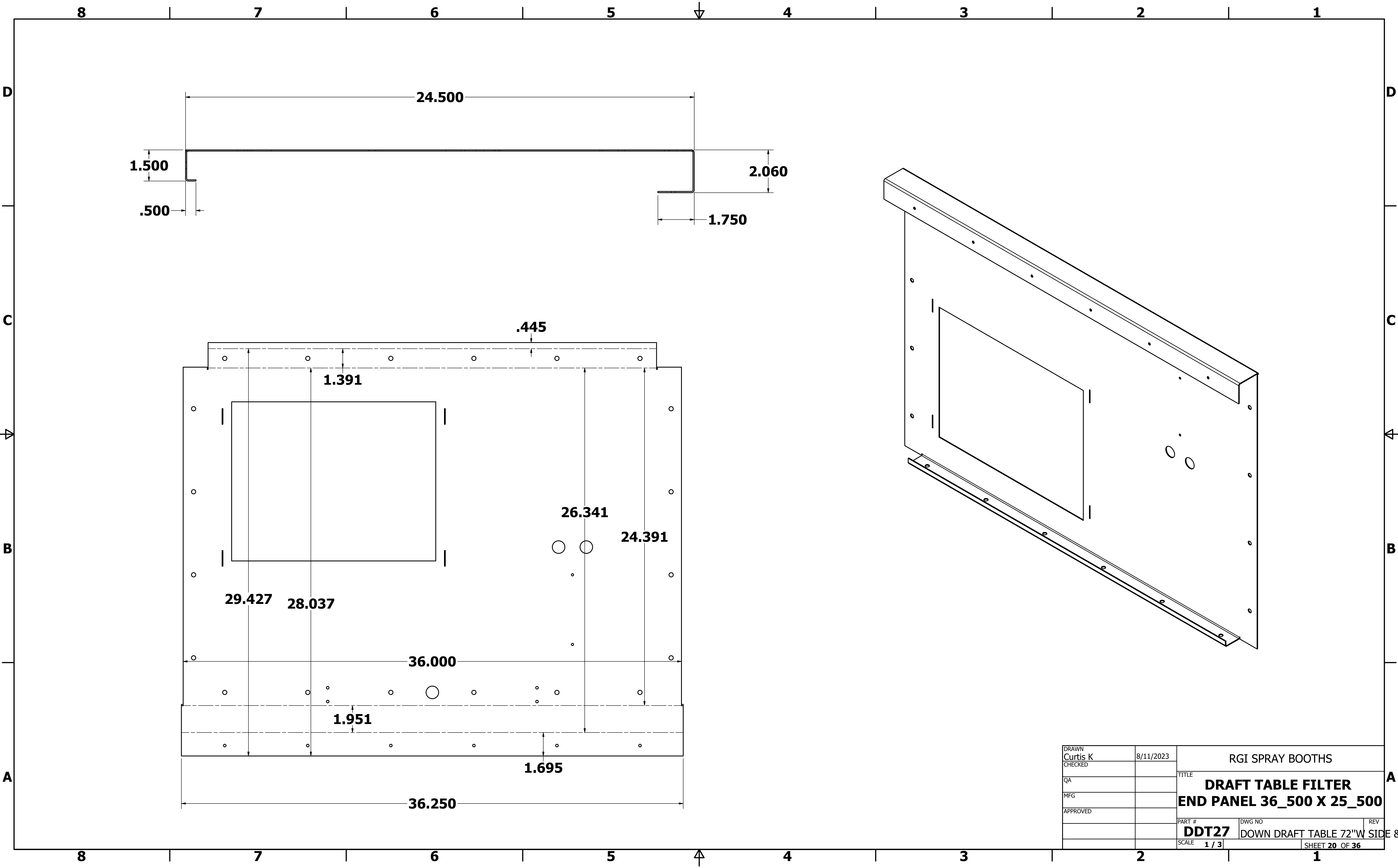
DRAWN Curtis K	8/11/2023	RGI SPRAY BOOTHS	
CHECKED		TITLE <b>DOWN DRAFT TABLE FILTER FRAME MID CROSS PANEL 55_675 X 4_875</b>	
QA		PART #	DWG NO
MFG		DOWN DRAFT TABLE 72"W SIDE &	
APPROVED		SCALE 1 / 3	REV
		SHEET 18 OF 36	

#3747 - 144 X 48 - 18G GALVANIZED STEEL



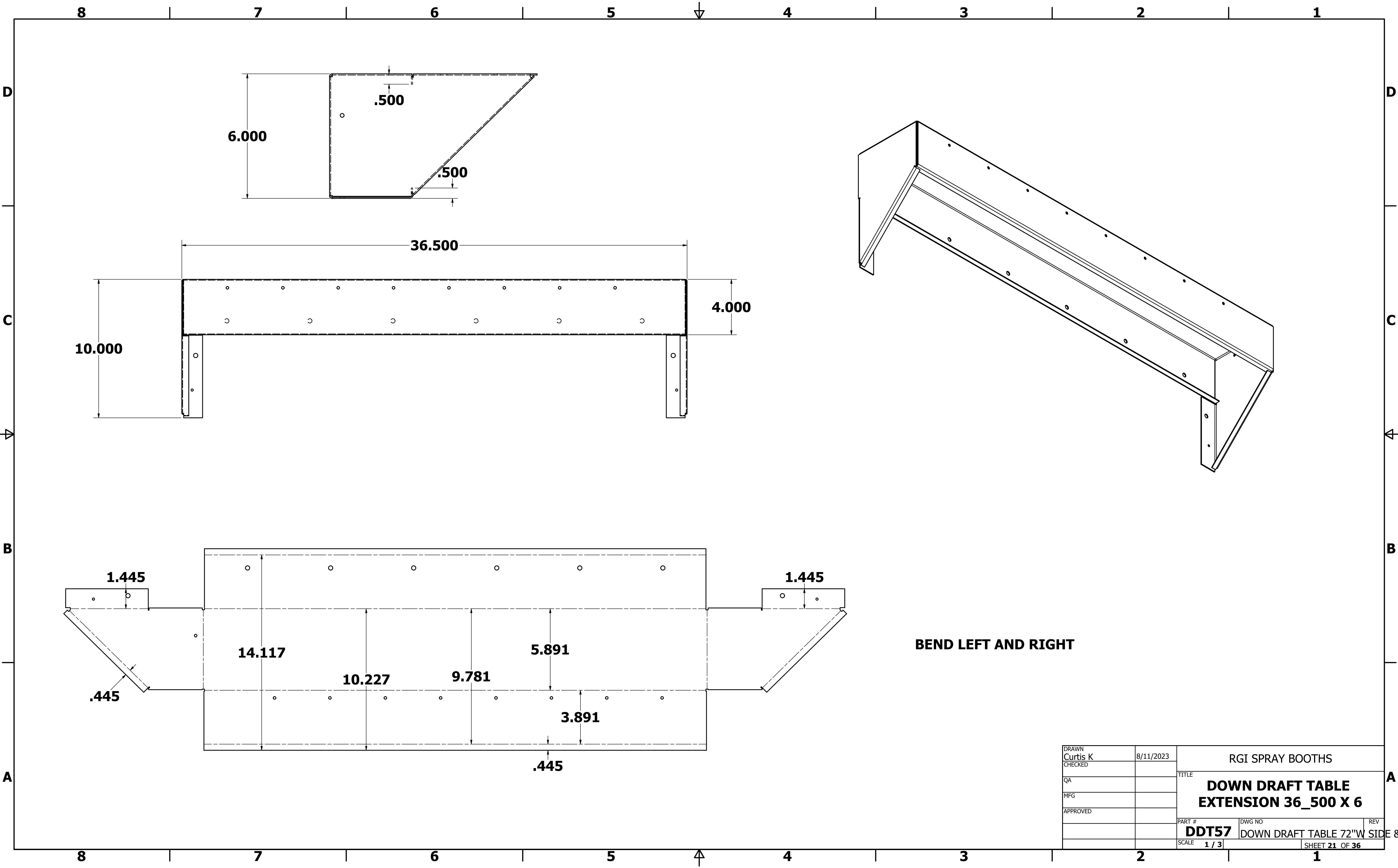
DRAWN Curtis K	8/11/2023	RGI SPRAY BOOTHS	
CHECKED		TITLE	
QA		<b>DOWN DRAFT TABLE BACK SIDE 60X24_500</b>	
MFG		PART #	DWG NO
APPROVED		<b>DDT45</b>	DOWN DRAFT TABLE 72"W SIDE &
		SCALE 1/4"	SHEET 19 OF 36

#3753 - 121 X 48 - 16G GALVANIZED STEEL



DRAWN Curtis K	8/11/2023	RGI SPRAY BOOTHS	
CHECKED		TITLE <b>DRAFT TABLE FILTER END PANEL 36_500 X 25_500</b>	
QA		PART #	DWG NO
MFG		<b>DDT27</b>	DOWN DRAFT TABLE 72"W SIDE &
APPROVED		SCALE	REV
		1 / 3	SHEET 20 OF 36

#3728 - 121X 48 - 16G GALVANIZED STEEL



8 7 6 5 4 3 2 1

D D

C C

B B

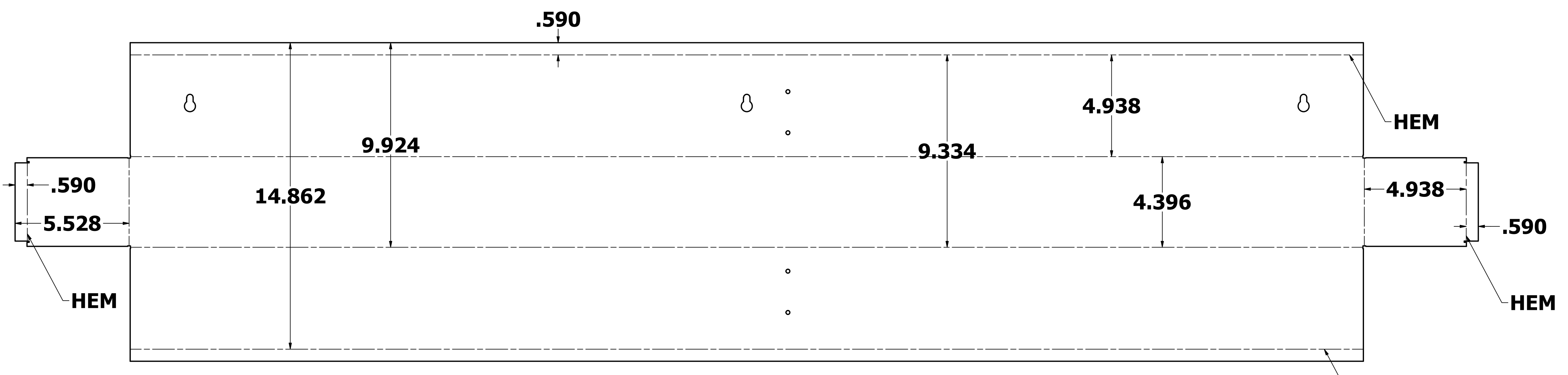
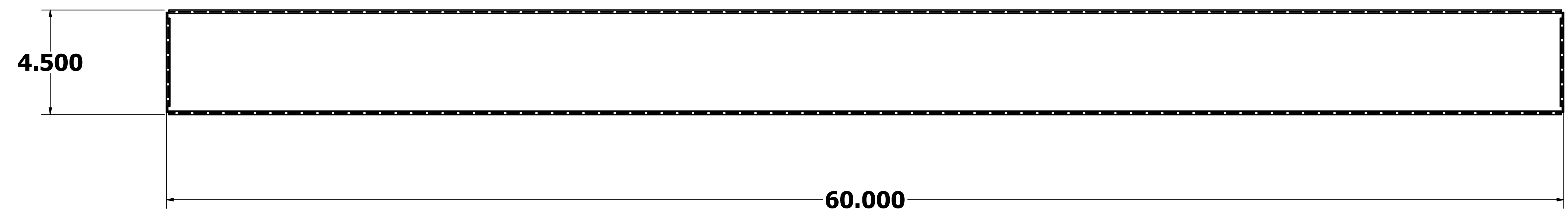
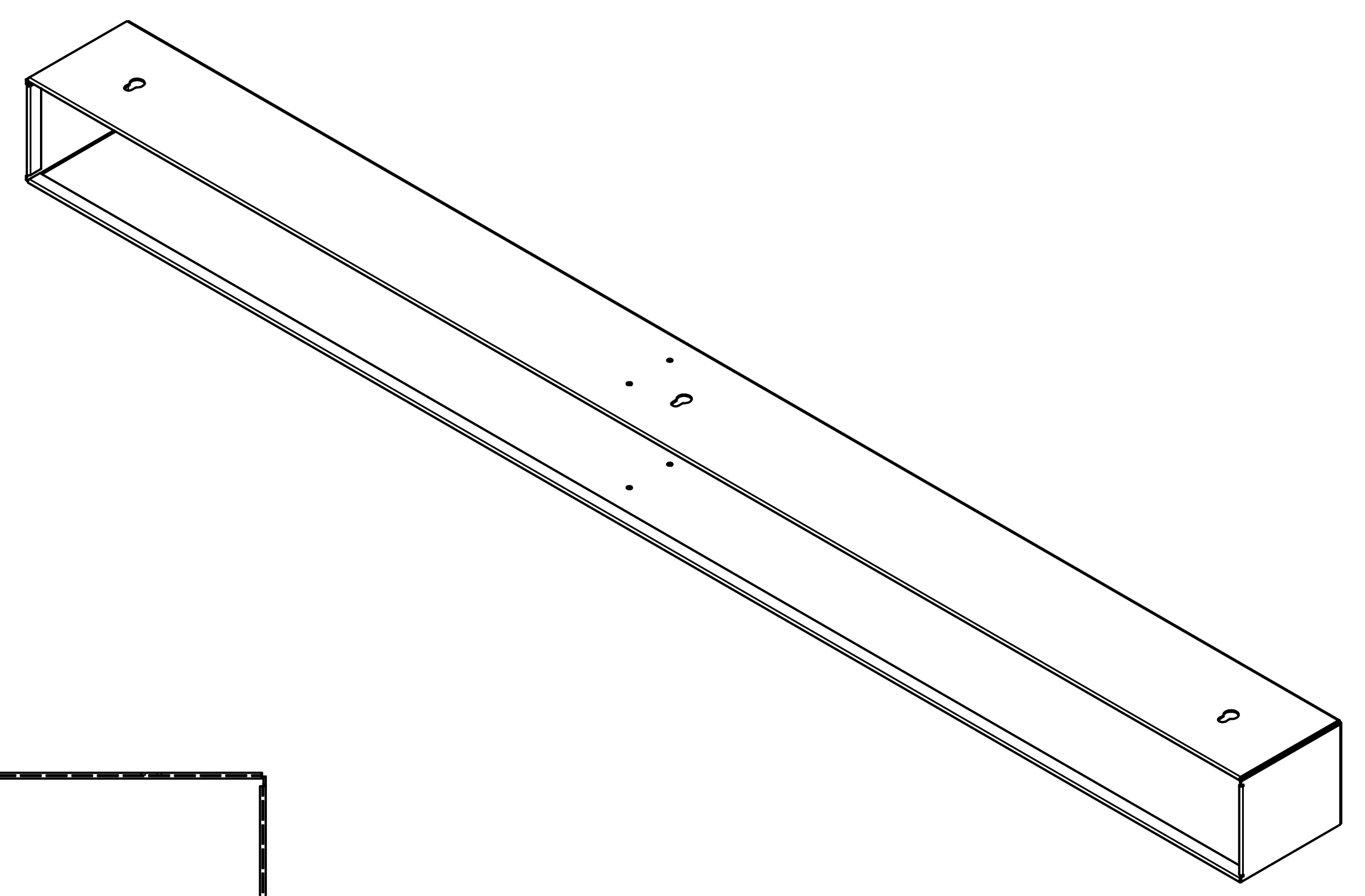
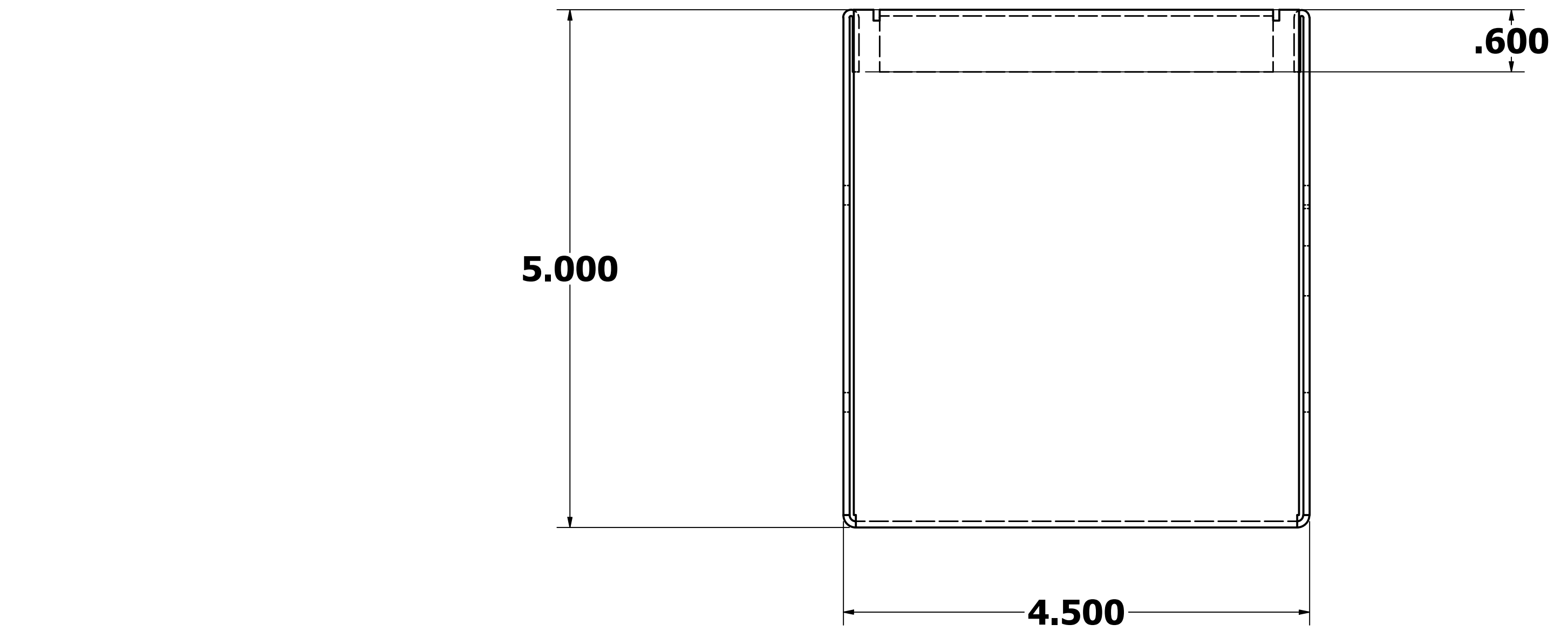
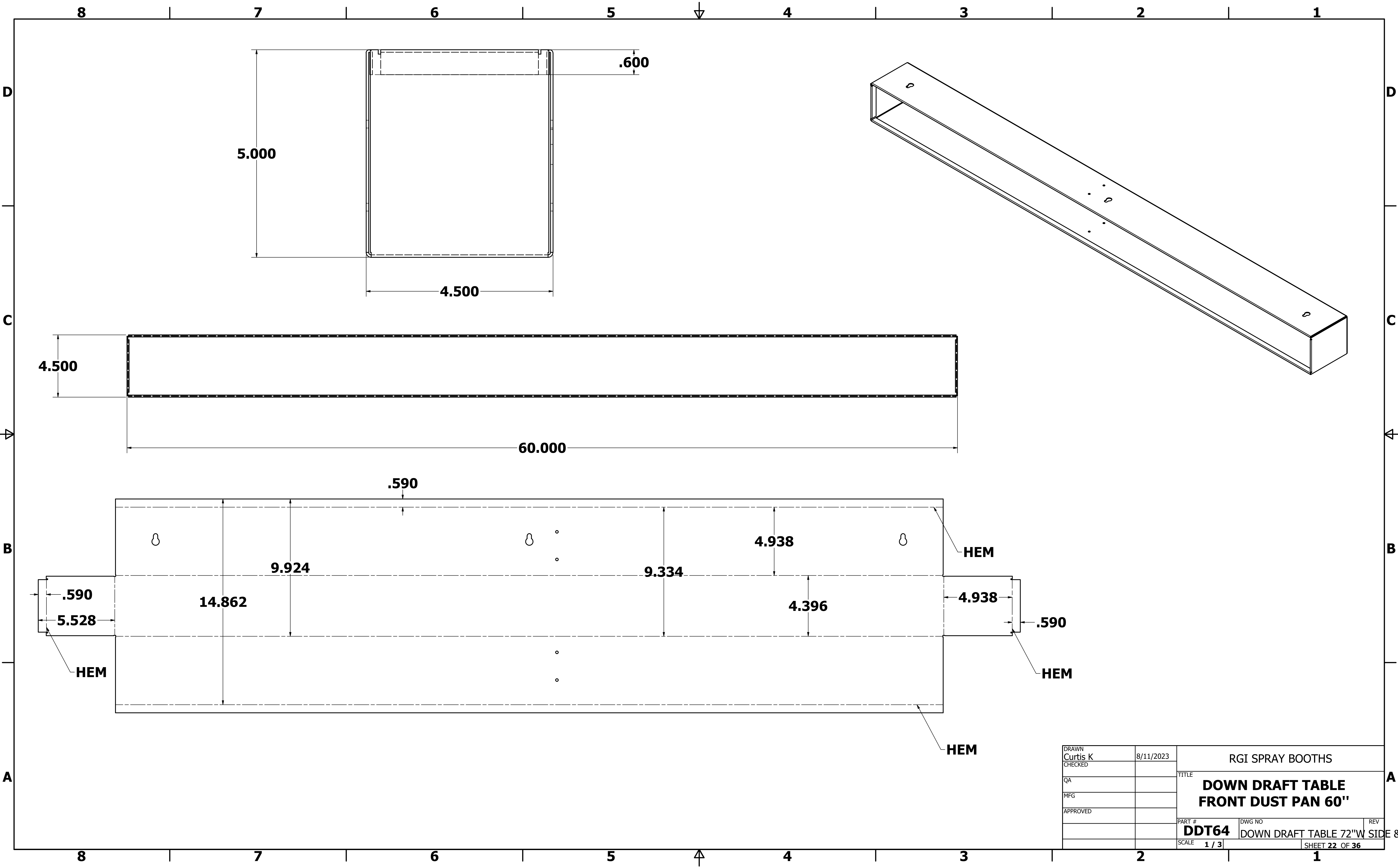
A A

8 7 6 5 4 3 2 1

#3753 - 121 X 48 - 16G GALVANIZED STEEL

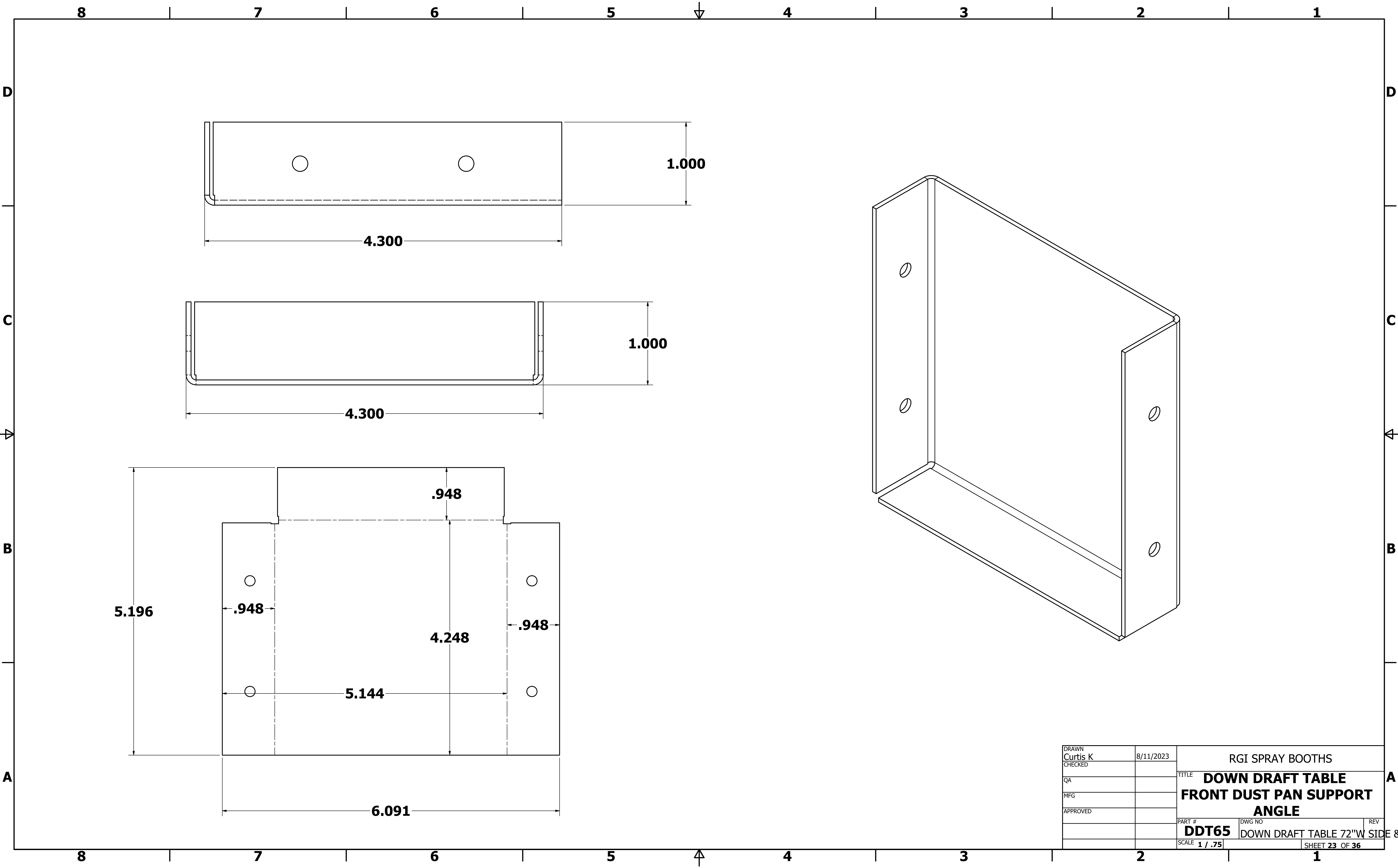
BEND LEFT AND RIGHT

DRAWN Curtis K	8/11/2023	RGI SPRAY BOOTHS	
CHECKED		TITLE <b>DOWN DRAFT TABLE EXTENSION 36_500 X 6</b>	
QA		PART #	REV
MFG		<b>DDT57</b>	
APPROVED		DWG NO	
		DOWN DRAFT TABLE 72"W SIDE &	
		SCALE 1 / 3	SHEET 21 OF 36



DRAWN Curtis K	8/11/2023	RGI SPRAY BOOTHS	
CHECKED		TITLE <b>DOWN DRAFT TABLE FRONT DUST PAN 60"</b>	
QA		PART #	REV
MFG		<b>DDT64</b>	
APPROVED		DWG NO	
		DOWN DRAFT TABLE 72"W SIDE &	
		SCALE 1 / 3	SHEET 22 OF 36

#3746 - 121 X 48 - 16G GALVANIZED STEEL



8 7 6 5 4 3 2 1

D

D

C

C

B

B

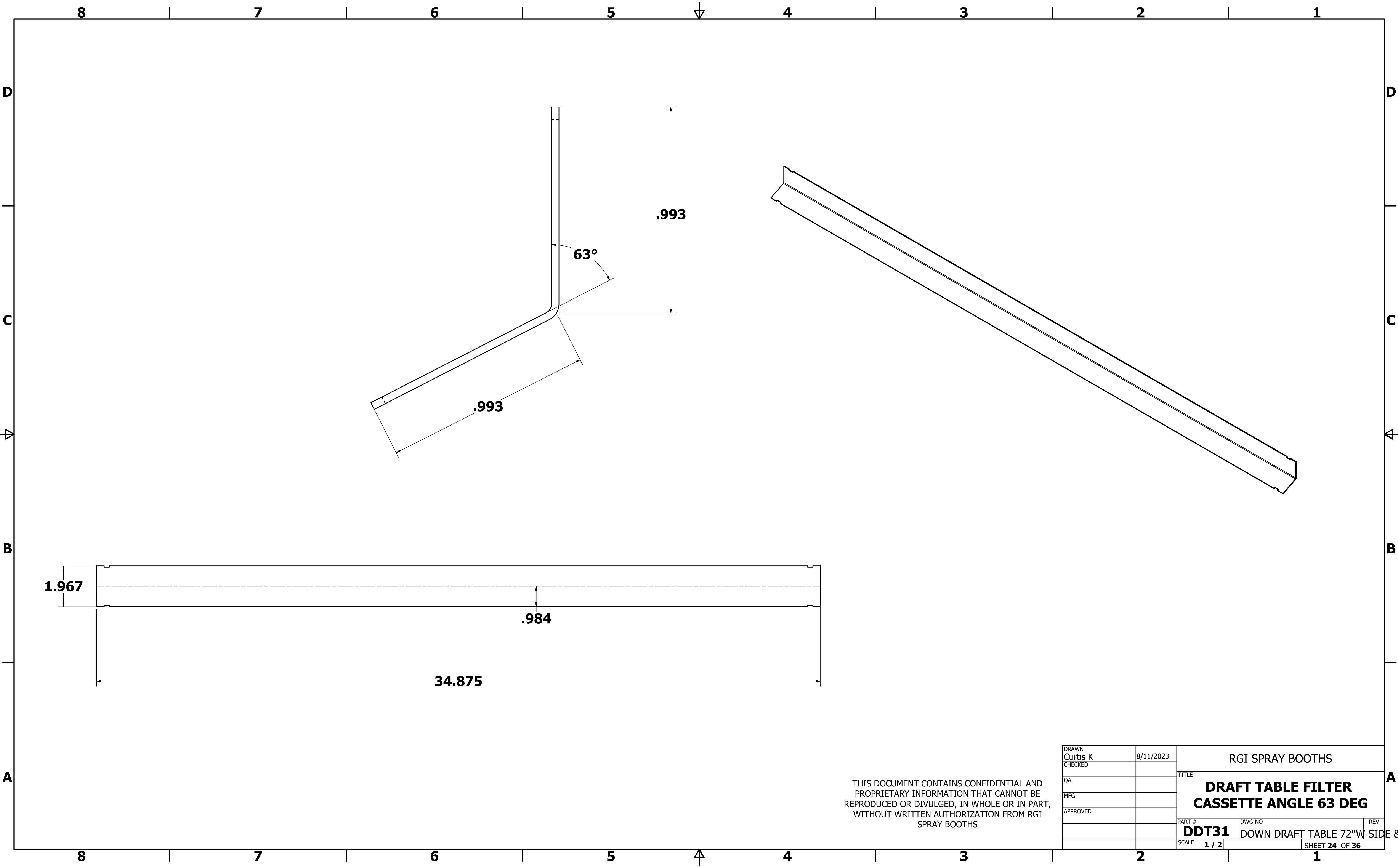
A

A

8 7 6 5 4 3 2 1

#3746 - 121 X 48 - 16G GALVANIZED STEEL

DRAWN Curtis K	8/11/2023	RGI SPRAY BOOTHS	
CHECKED		TITLE <b>DOWN DRAFT TABLE FRONT DUST PAN SUPPORT ANGLE</b>	
QA		PART #	REV
MFG		<b>DDT65</b>	
APPROVED		DWG NO	DOWN DRAFT TABLE 72"W SIDE &
		SCALE 1 / .75	SHEET 23 OF 36

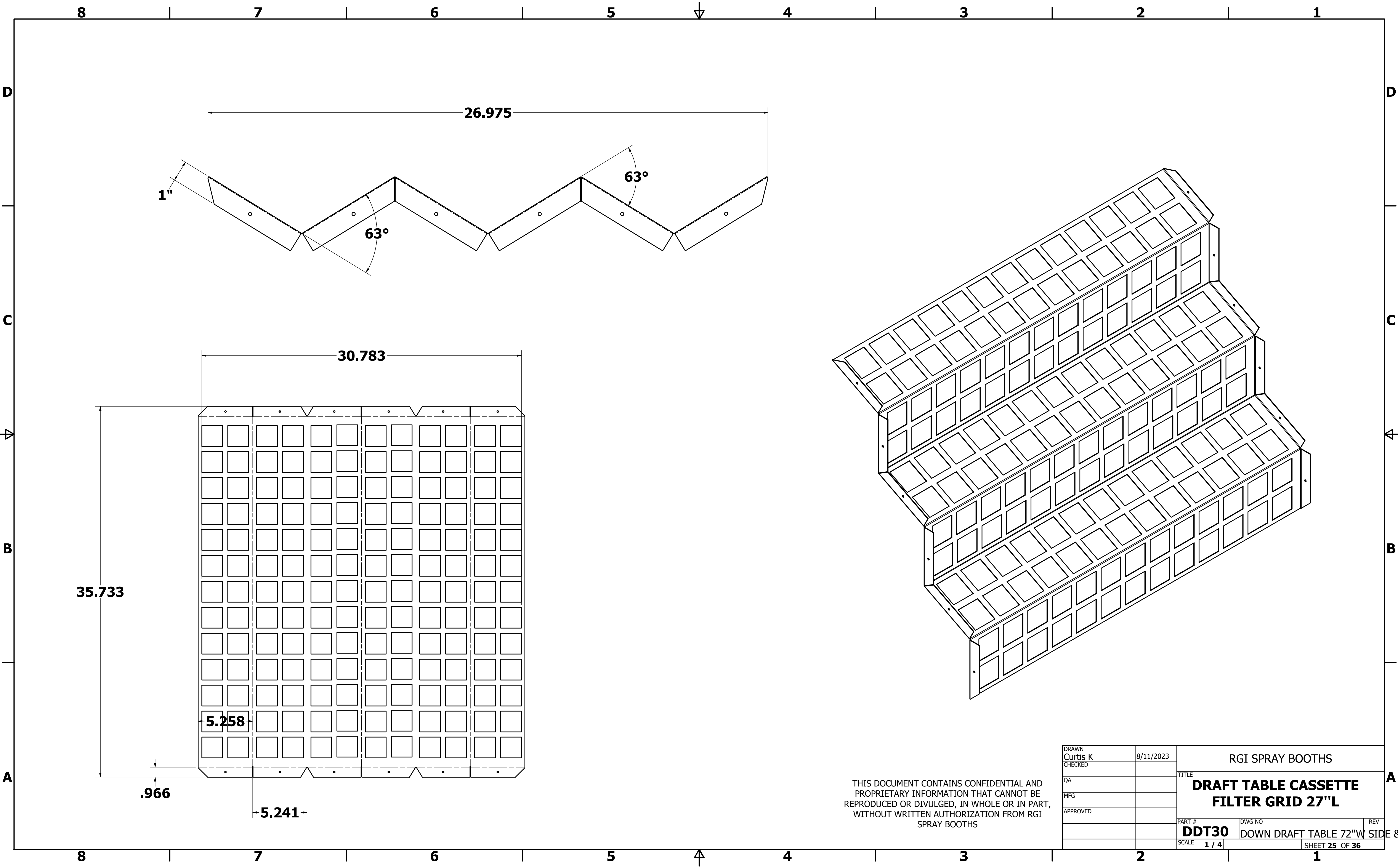


#3745 - 85 X 48 - 20G GALVANIZED STEEL

THIS DOCUMENT CONTAINS CONFIDENTIAL AND PROPRIETARY INFORMATION THAT CANNOT BE REPRODUCED OR DIVULGED, IN WHOLE OR IN PART, WITHOUT WRITTEN AUTHORIZATION FROM RGI SPRAY BOOTHS

DRAWN Curtis K	8/11/2023	RGI SPRAY BOOTHS	
CHECKED		TITLE	
QA		<b>DRAFT TABLE FILTER CASSETTE ANGLE 63 DEG</b>	
MFG		PART #	REV
APPROVED		<b>DDT31</b>	
		DWG NO	DOWN DRAFT TABLE 72"W SIDE &
		SCALE	SHEET 24 OF 36
		<b>1 / 2</b>	





8 7 6 5 4 3 2 1

D D

C C

B B

A A

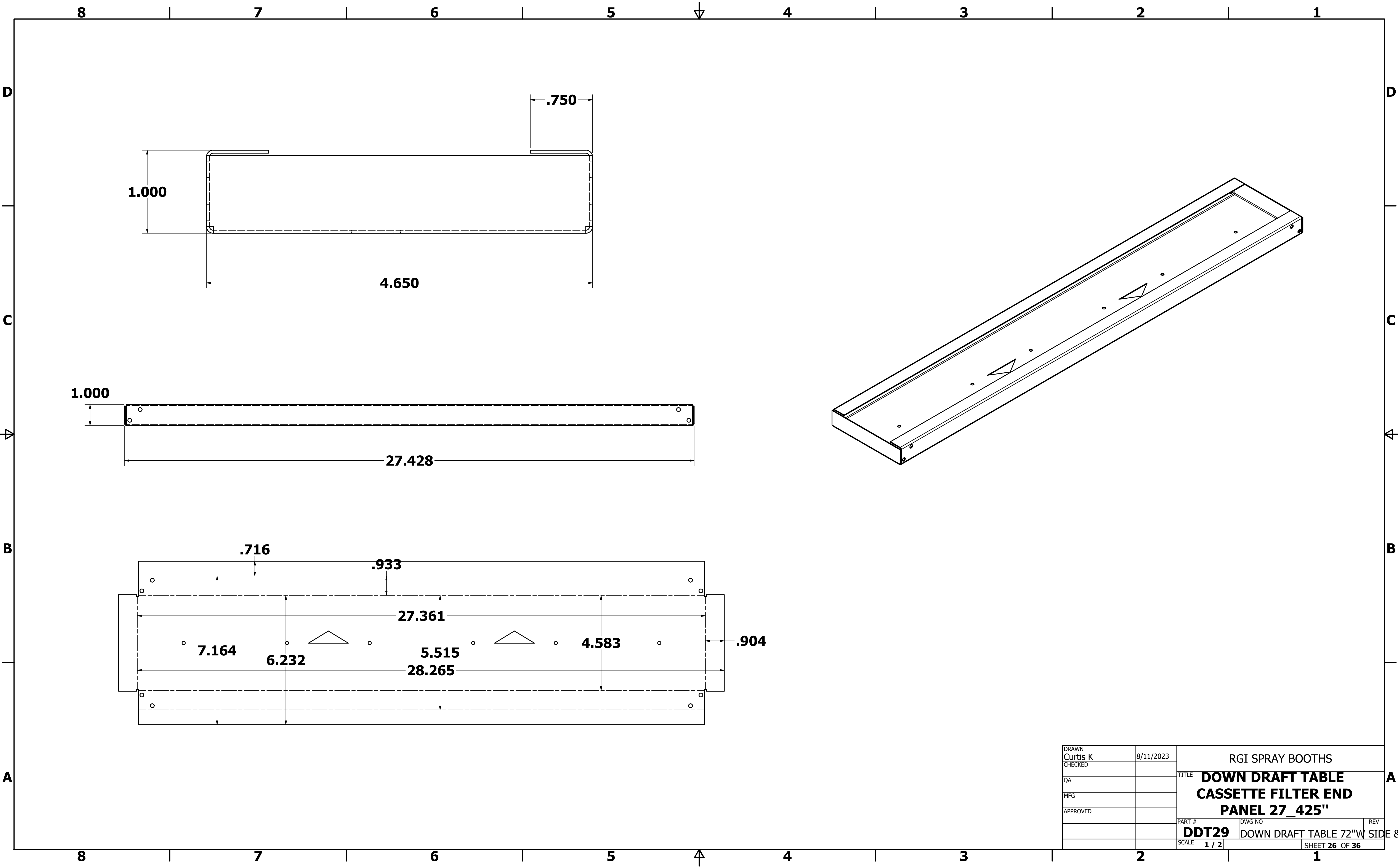
8 7 6 5 4 3 2 1

#3745 - 85 X 48 - 20G GALVANIZED STEEL

THIS DOCUMENT CONTAINS CONFIDENTIAL AND PROPRIETARY INFORMATION THAT CANNOT BE REPRODUCED OR DIVULGED, IN WHOLE OR IN PART, WITHOUT WRITTEN AUTHORIZATION FROM RGI SPRAY BOOTHS

DRAWN Curtis K	8/11/2023	RGI SPRAY BOOTHS	
CHECKED		TITLE <b>DRAFT TABLE CASSETTE FILTER GRID 27" L</b>	
QA		PART #	DWG NO
MFG		<b>DDT30</b>	REV
APPROVED		SCALE	1 / 4
		SHEET 25 OF 36	

SIDE &



8 7 6 5 4 3 2 1

D D

C C

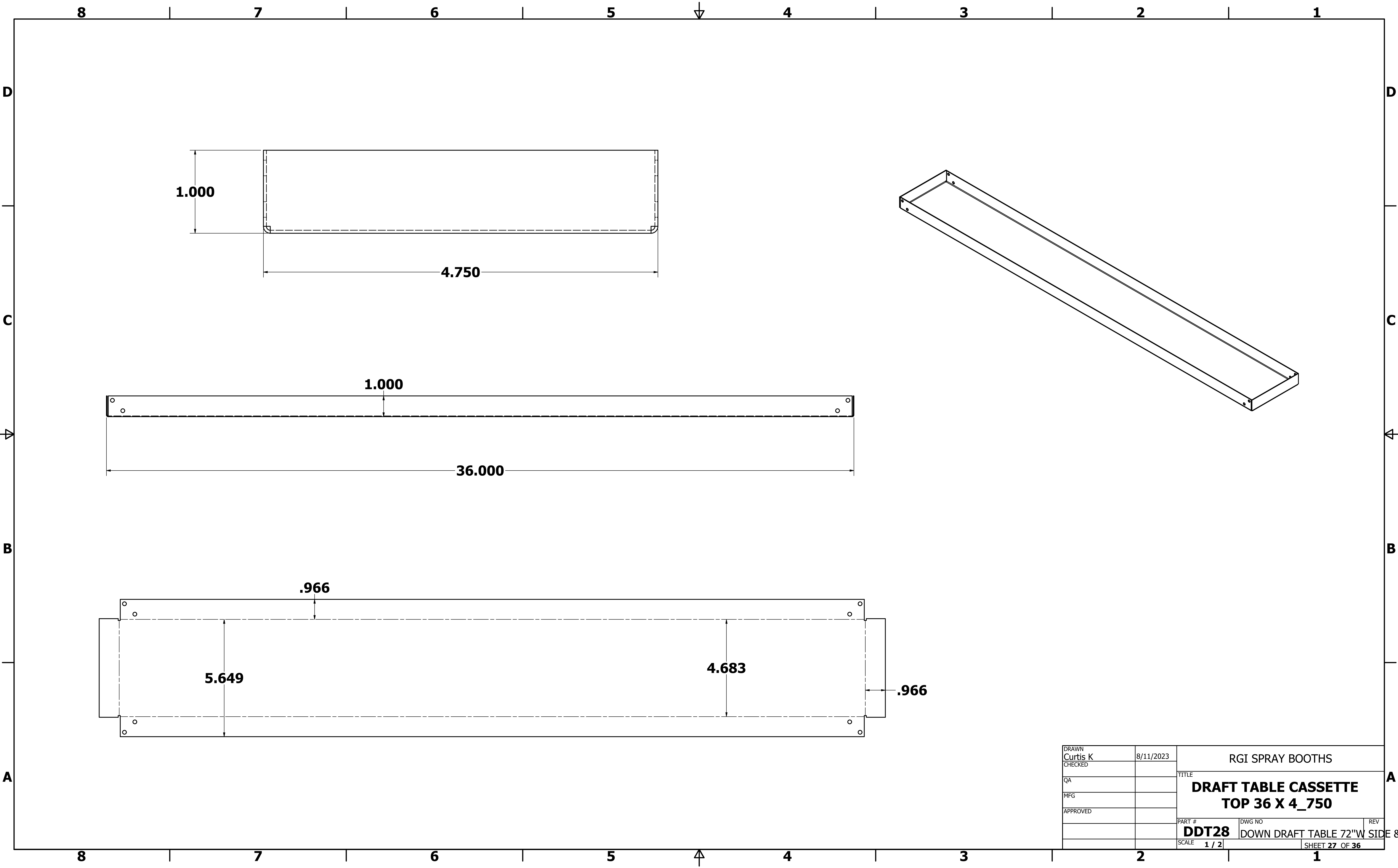
B B

A A

8 7 6 5 4 3 2 1

#3745 - 85 X 48 - 20G GALVANIZED STEEL

DRAWN Curtis K	8/11/2023	RGI SPRAY BOOTHS	
CHECKED		TITLE <b>DOWN DRAFT TABLE CASSETTE FILTER END PANEL 27_425"</b>	
QA		PART #	REV
MFG		<b>DDT29</b>	
APPROVED		DWG NO	DOWN DRAFT TABLE 72"W SIDE &
		SCALE 1 / 2	SHEET 26 OF 36



1.000

4.750

1.000

36.000

.966

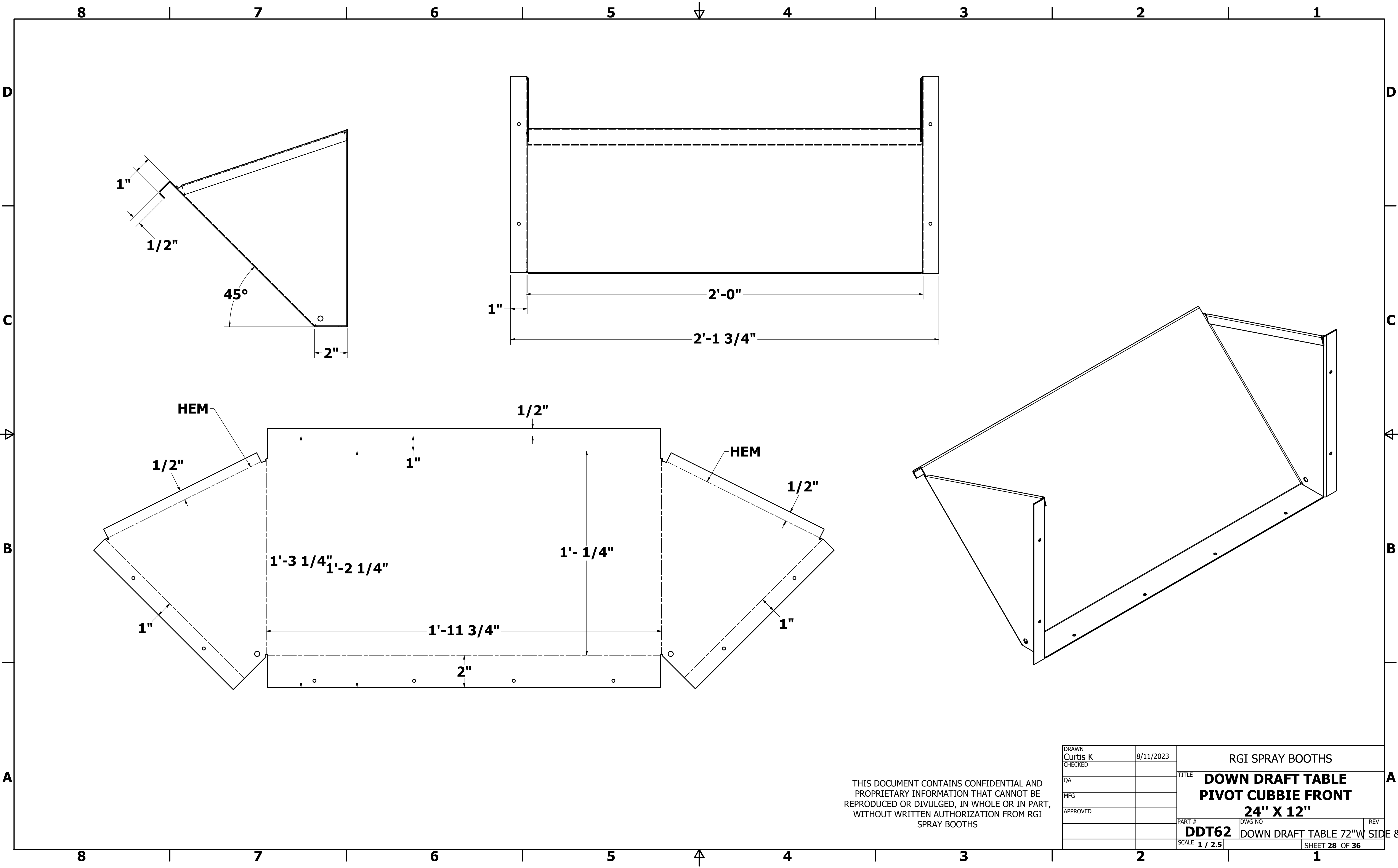
5.649

4.683

.966

DRAWN Curtis K	8/11/2023	RGI SPRAY BOOTHS	
CHECKED		TITLE	
QA		<b>DRAFT TABLE CASSETTE</b>	
MFG		<b>TOP 36 X 4_750</b>	
APPROVED		PART #	REV
		<b>DDT28</b>	
		DWG NO	SCALE
		DOWN DRAFT TABLE 72"W SIDE &	<b>1 / 2</b>
		SHEET 27 OF 36	

#3745 - 85 X 48 - 20G GALVANIZED STEEL



8 7 6 5 4 3 2 1

D D

C C

B B

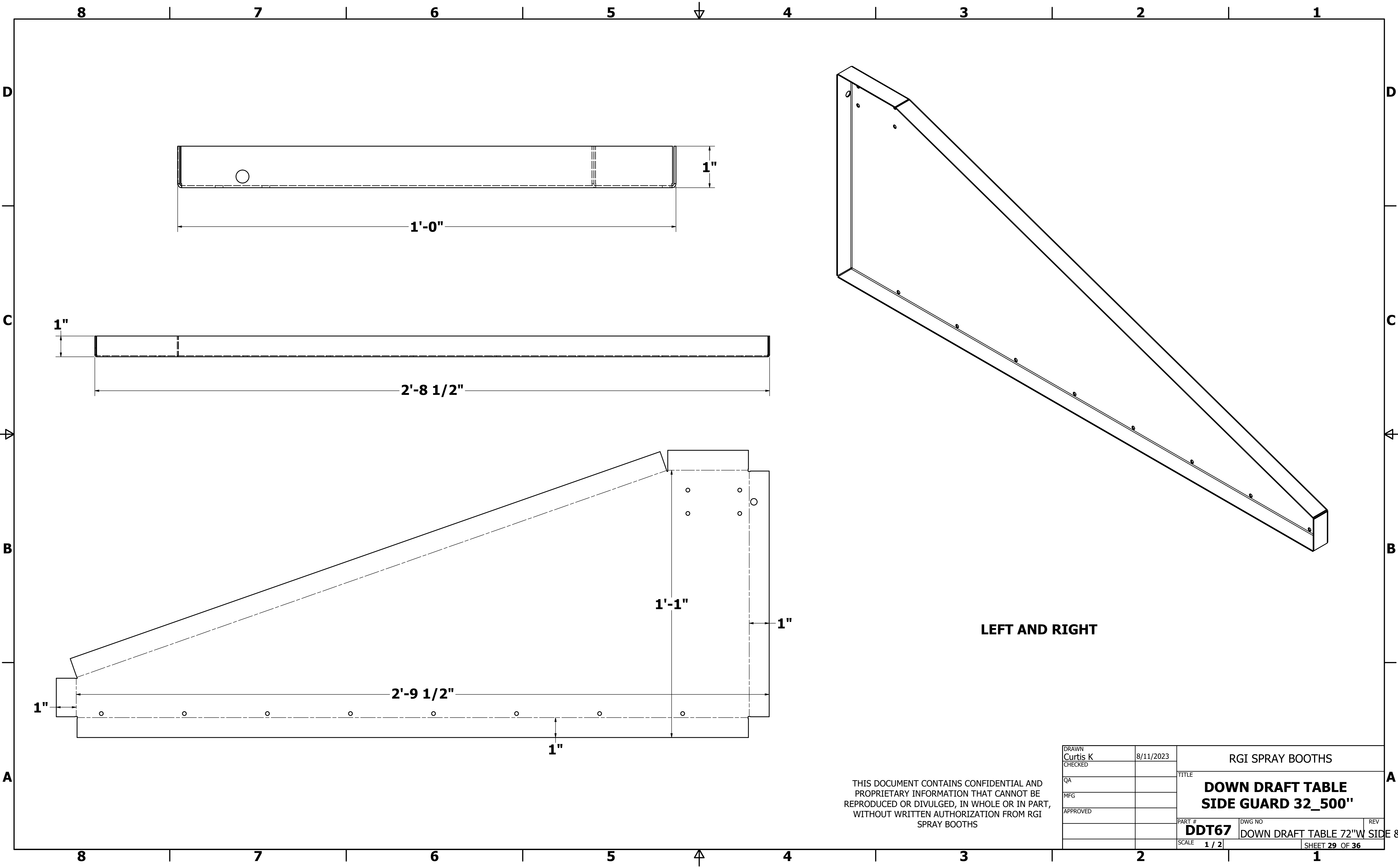
A A

8 7 6 5 4 3 2 1

#3746 - 121 X 48 - 16G GALVANIZED STEEL

THIS DOCUMENT CONTAINS CONFIDENTIAL AND PROPRIETARY INFORMATION THAT CANNOT BE REPRODUCED OR DIVULGED, IN WHOLE OR IN PART, WITHOUT WRITTEN AUTHORIZATION FROM RGI SPRAY BOOTHS

DRAWN Curtis K	8/11/2023	RGI SPRAY BOOTHS	
CHECKED		TITLE <b>DOWN DRAFT TABLE PIVOT CUBBIE FRONT 24" X 12"</b>	
QA		PART # <b>DDT62</b>	DWG NO
MFG		DOWN DRAFT TABLE 72"W SIDE &	
APPROVED		SCALE <b>1 / 2.5</b>	SHEET <b>28</b> OF <b>36</b>



8 7 6 5 4 3 2 1

D D

C C

B B

A A

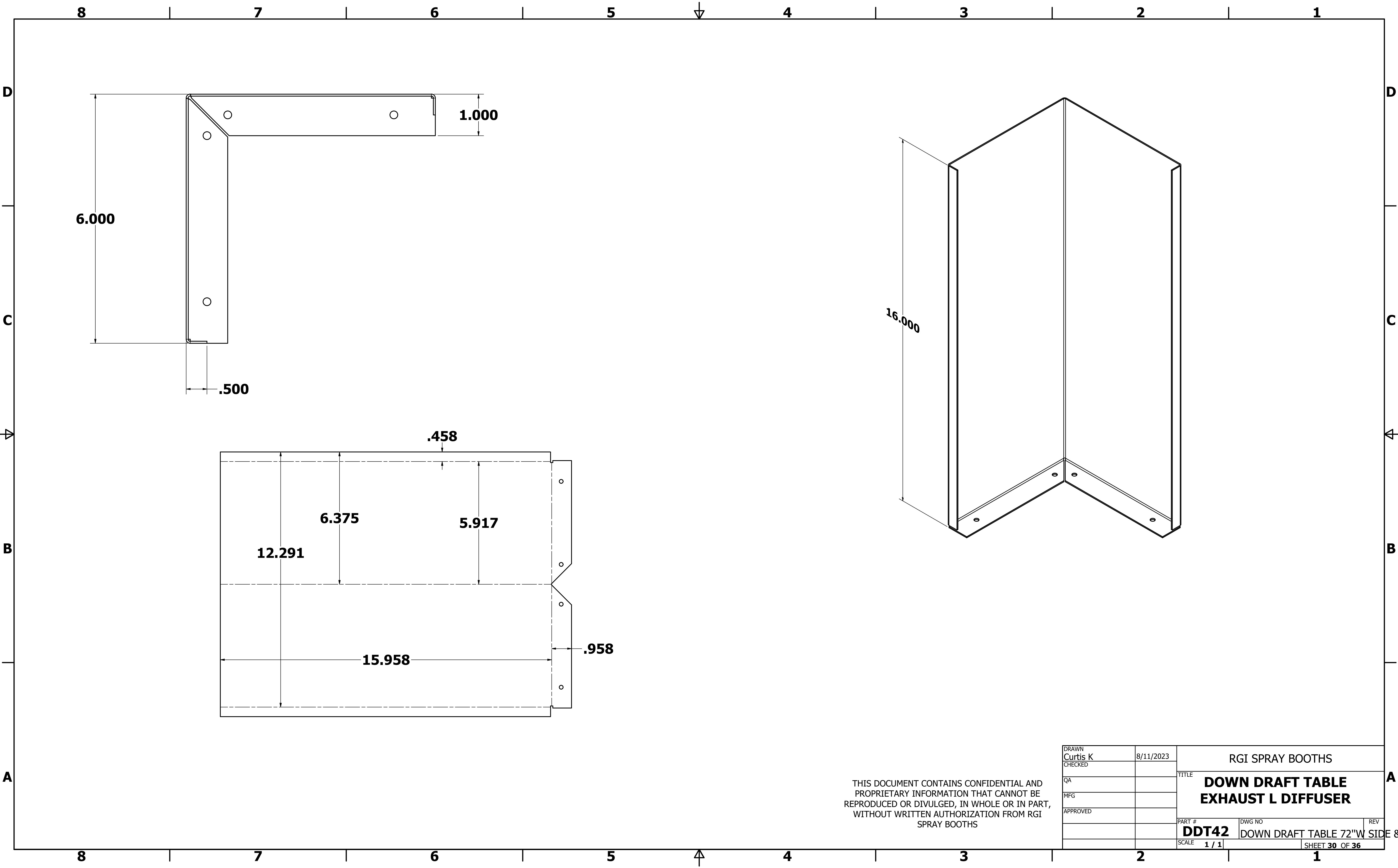
8 7 6 5 4 3 2 1

#3752 - 85 X 48 - 20G GALVANIZED STEEL

LEFT AND RIGHT

THIS DOCUMENT CONTAINS CONFIDENTIAL AND PROPRIETARY INFORMATION THAT CANNOT BE REPRODUCED OR DIVULGED, IN WHOLE OR IN PART, WITHOUT WRITTEN AUTHORIZATION FROM RGI SPRAY BOOTHS

DRAWN Curtis K	8/11/2023	RGI SPRAY BOOTHS	
CHECKED		TITLE	
QA		<b>DOWN DRAFT TABLE SIDE GUARD 32_500"</b>	
MFG		PART #	DWG NO
APPROVED		<b>DDT67</b>	DOWN DRAFT TABLE 72"W SIDE &
		SCALE	SHEET 29 OF 36
		1 / 2	



6.000

1.000

.500

.458

6.375

5.917

12.291

15.958

.958

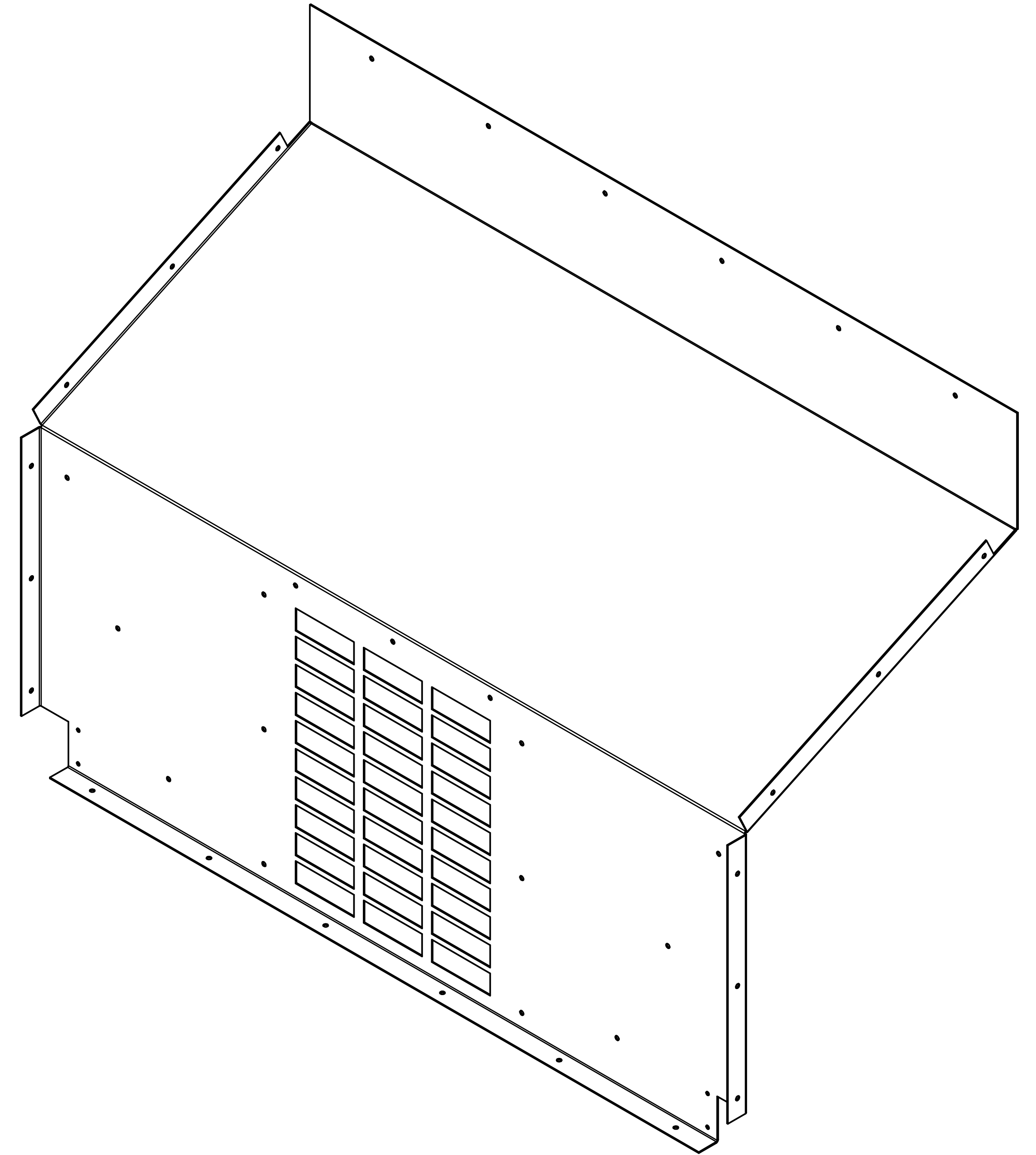
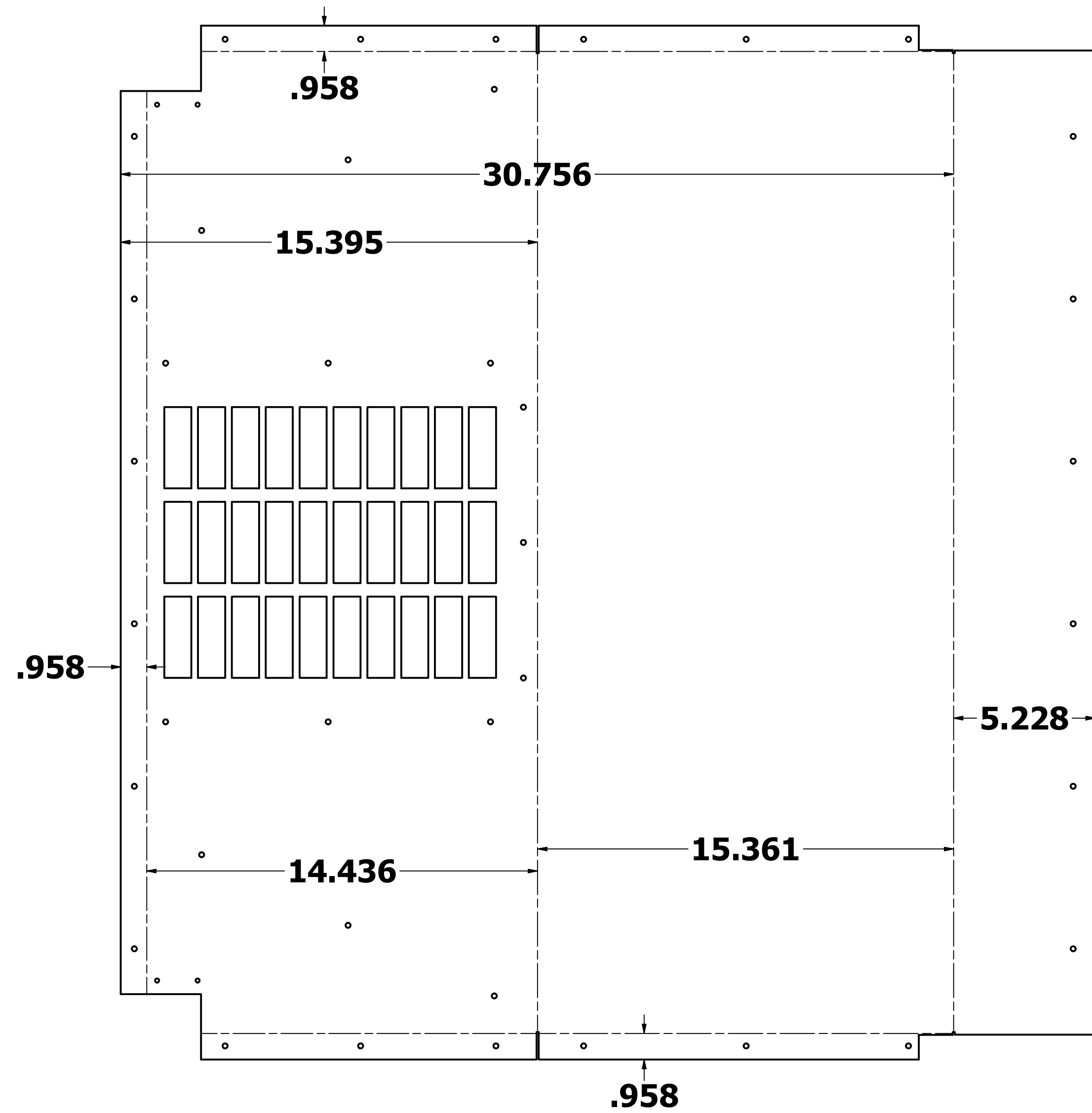
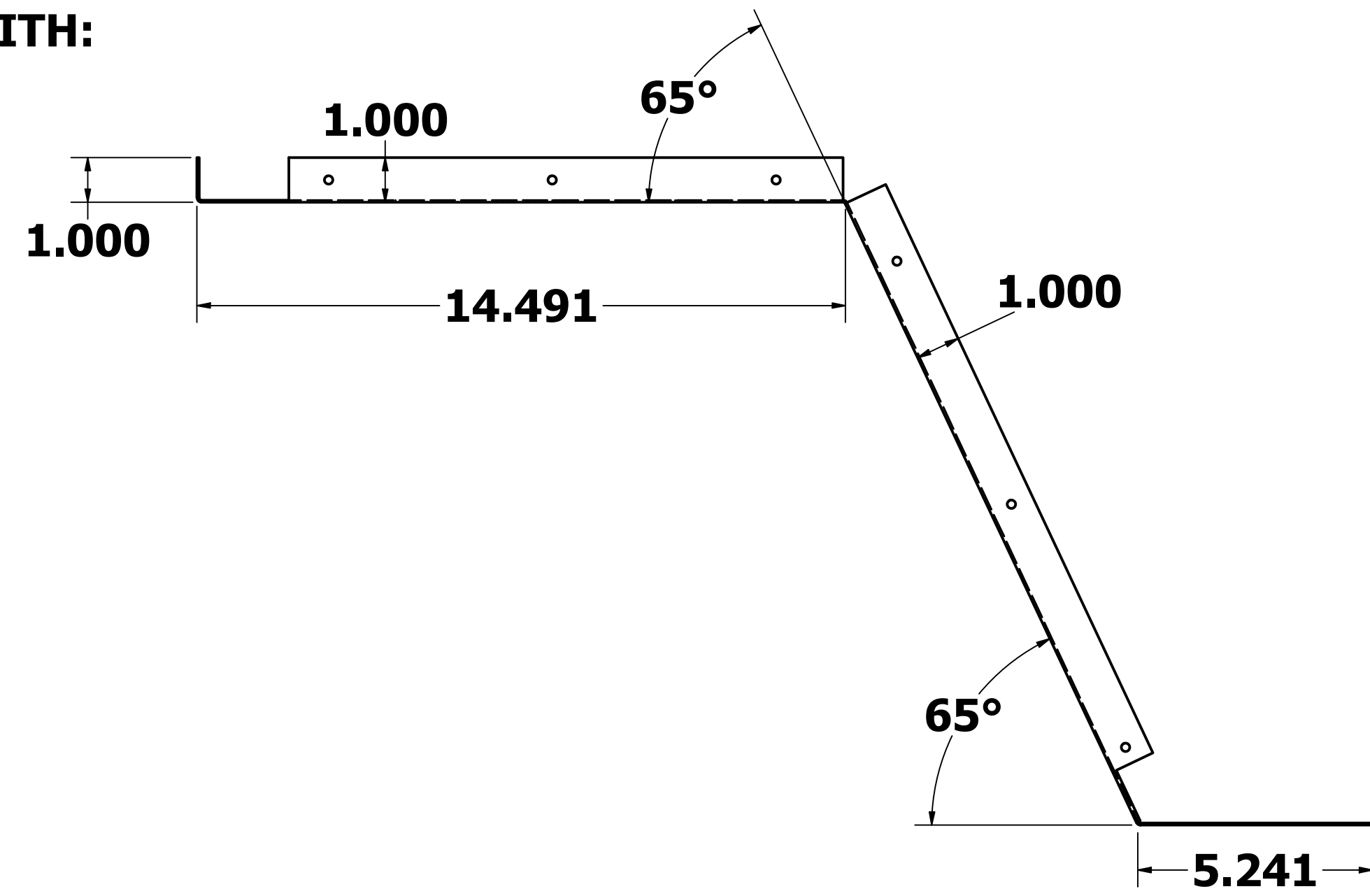
16.000

THIS DOCUMENT CONTAINS CONFIDENTIAL AND PROPRIETARY INFORMATION THAT CANNOT BE REPRODUCED OR DIVULGED, IN WHOLE OR IN PART, WITHOUT WRITTEN AUTHORIZATION FROM RGI SPRAY BOOTHS

DRAWN Curtis K	8/11/2023	RGI SPRAY BOOTHS	
CHECKED		TITLE <b>DOWN DRAFT TABLE EXHAUST L DIFFUSER</b>	
QA		PART #	REV
MFG		<b>DDT42</b>	
APPROVED		DWG NO	SCALE 1 / 1
		DOWN DRAFT TABLE 72"W SIDE &	SHEET 30 OF 36

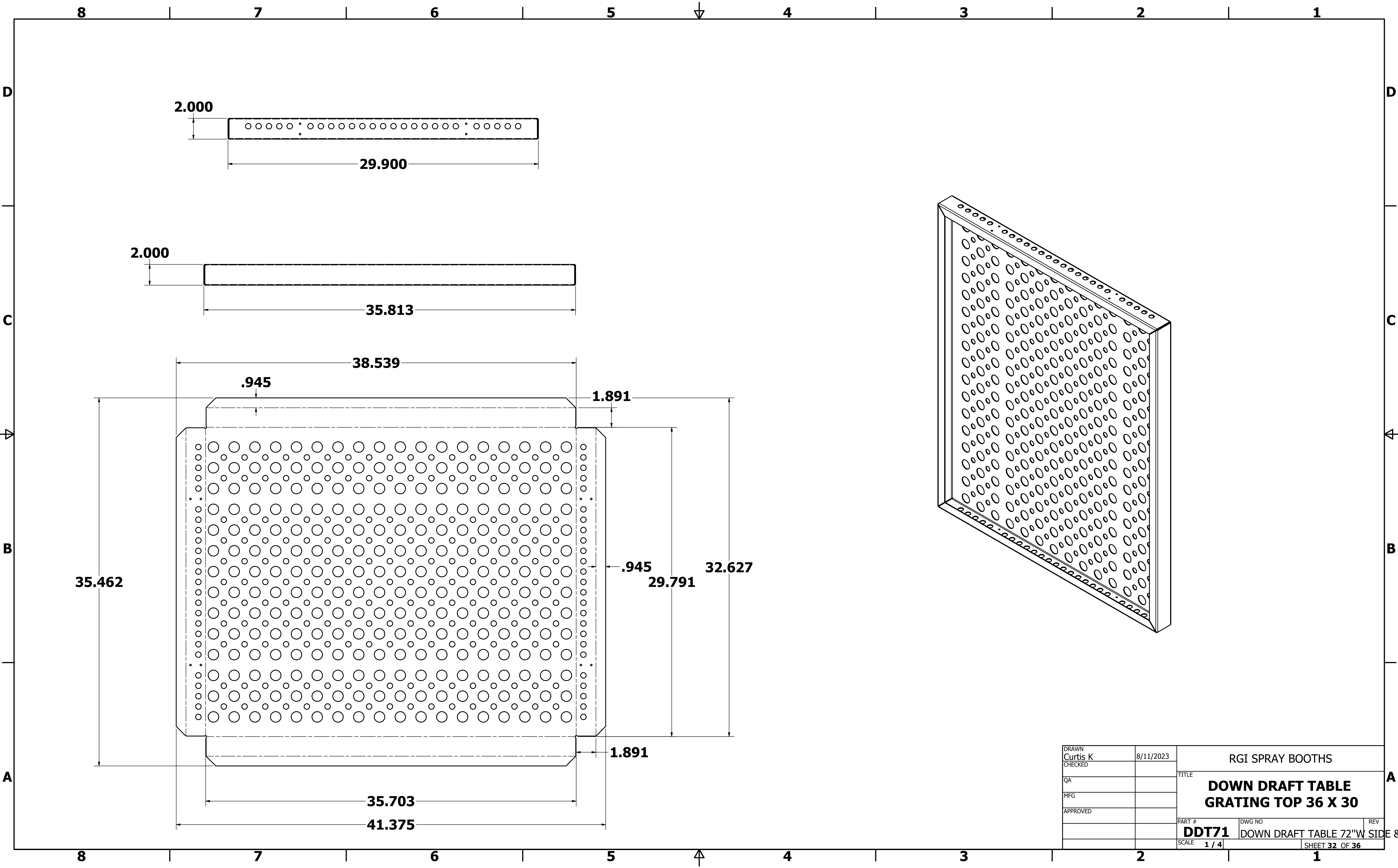
#3747 - 144 X 48 - 18G GALVANIZED STEEL

IN COLLABORATION WITH:



THIS DOCUMENT CONTAINS CONFIDENTIAL AND PROPRIETARY INFORMATION THAT CANNOT BE REPRODUCED OR DIVULGED, IN WHOLE OR IN PART, WITHOUT WRITTEN AUTHORIZATION FROM RGI SPRAY BOOTHS

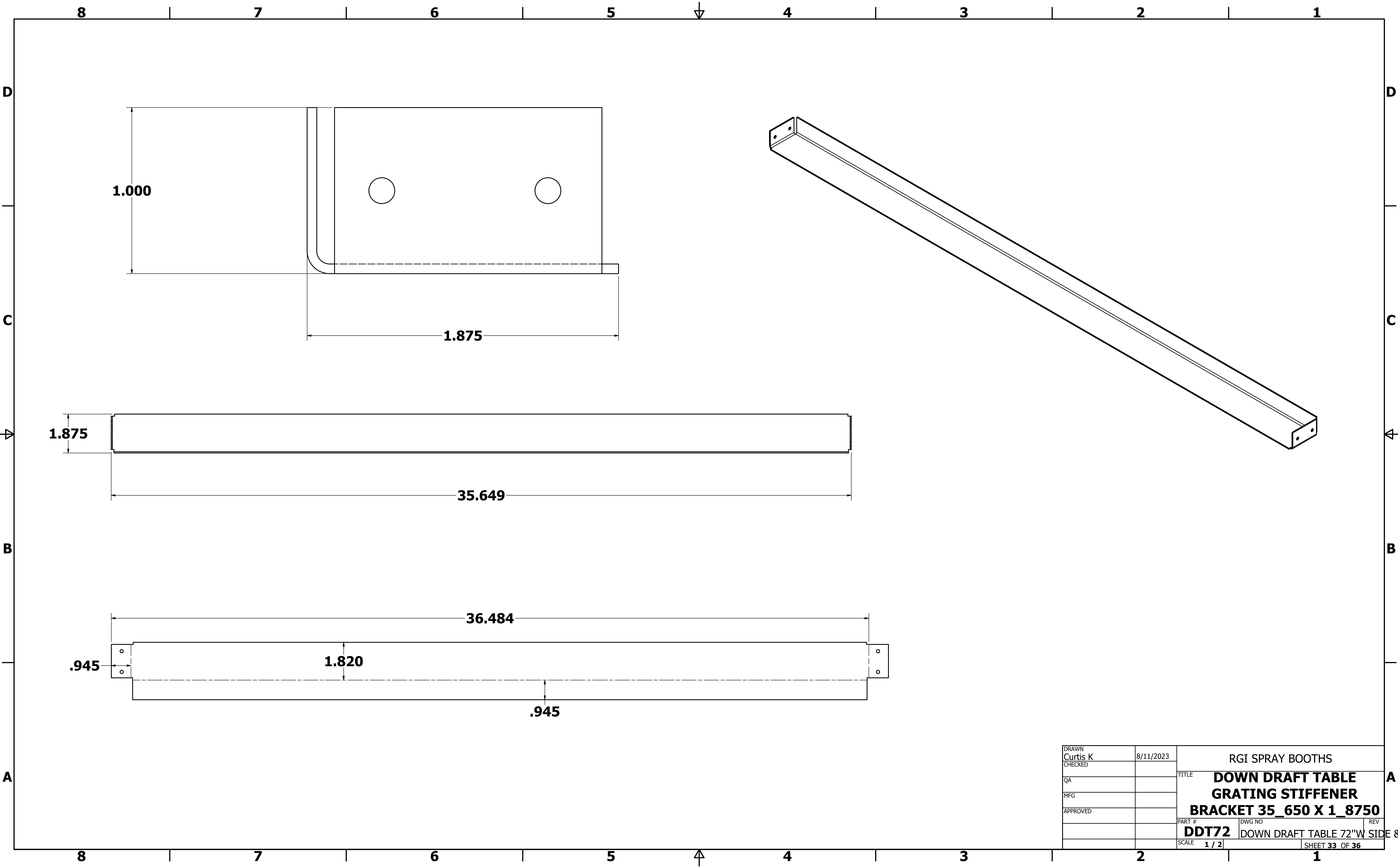
DRAWN Curtis K	8/11/2023	RGI SPRAY BOOTHS	
CHECKED		TITLE	
QA		<b>DOWN DRAFT TABLE FILTER DIVIDER 36_36 X 14</b>	
MFG		PART #	DWG NO
APPROVED		<b>DDT51</b>	DOWN DRAFT TABLE 72"W SIDE &
		SCALE	SHEET 31 OF 36
		<b>1 / 3.5</b>	



#3729 - 97X48 - 16G GALVANIZED STEEL

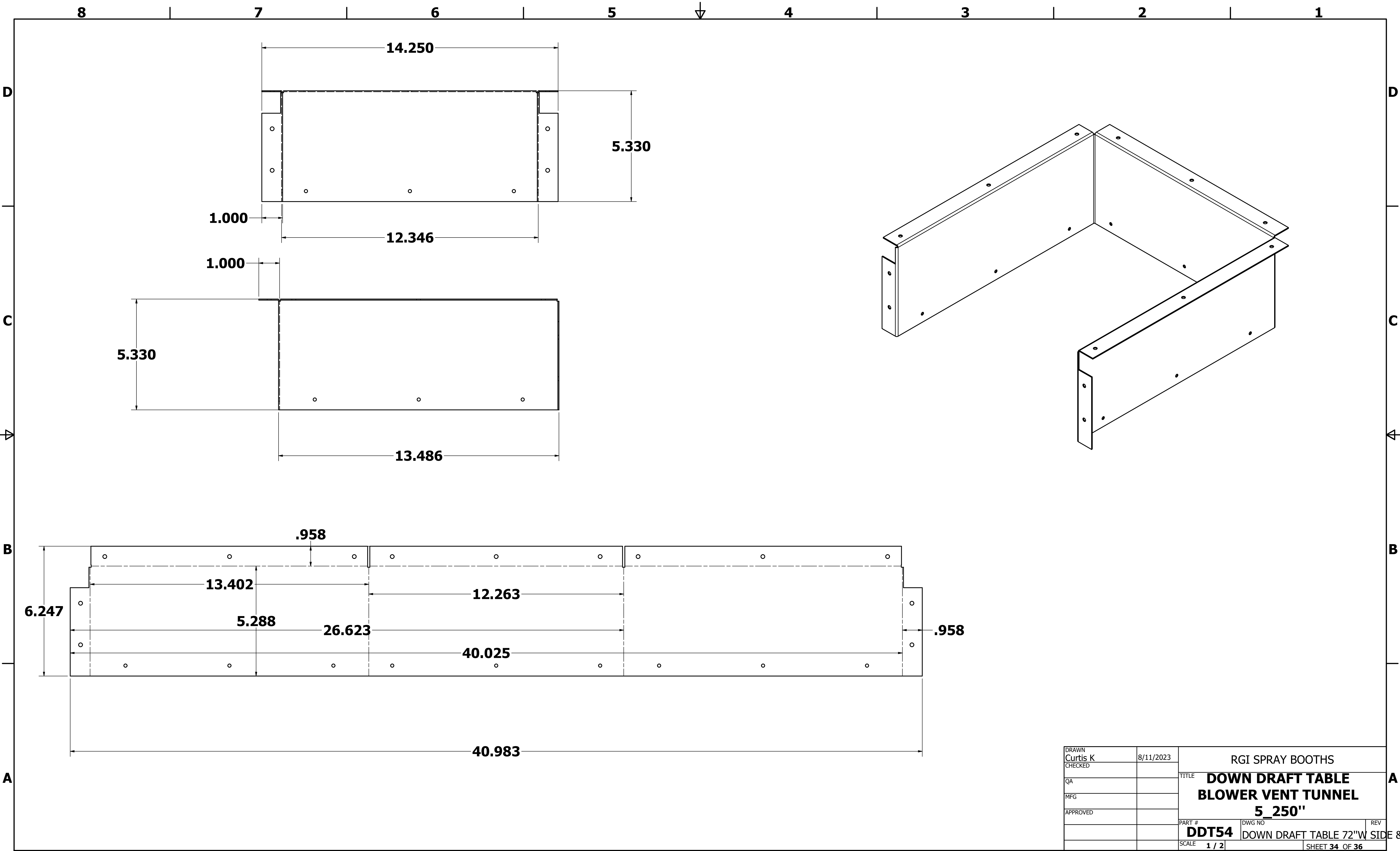
DRAWN Curtis K	8/11/2023	RGI SPRAY BOOTHS	
CHECKED		TITLE	
QA		<b>DOWN DRAFT TABLE GRATING TOP 36 X 30</b>	
MFG		PART #	DWG NO
APPROVED		<b>DDT71</b>	DOWN DRAFT TABLE 72"W SIDE &
		SCALE 1 / 4	SHEET 32 OF 36





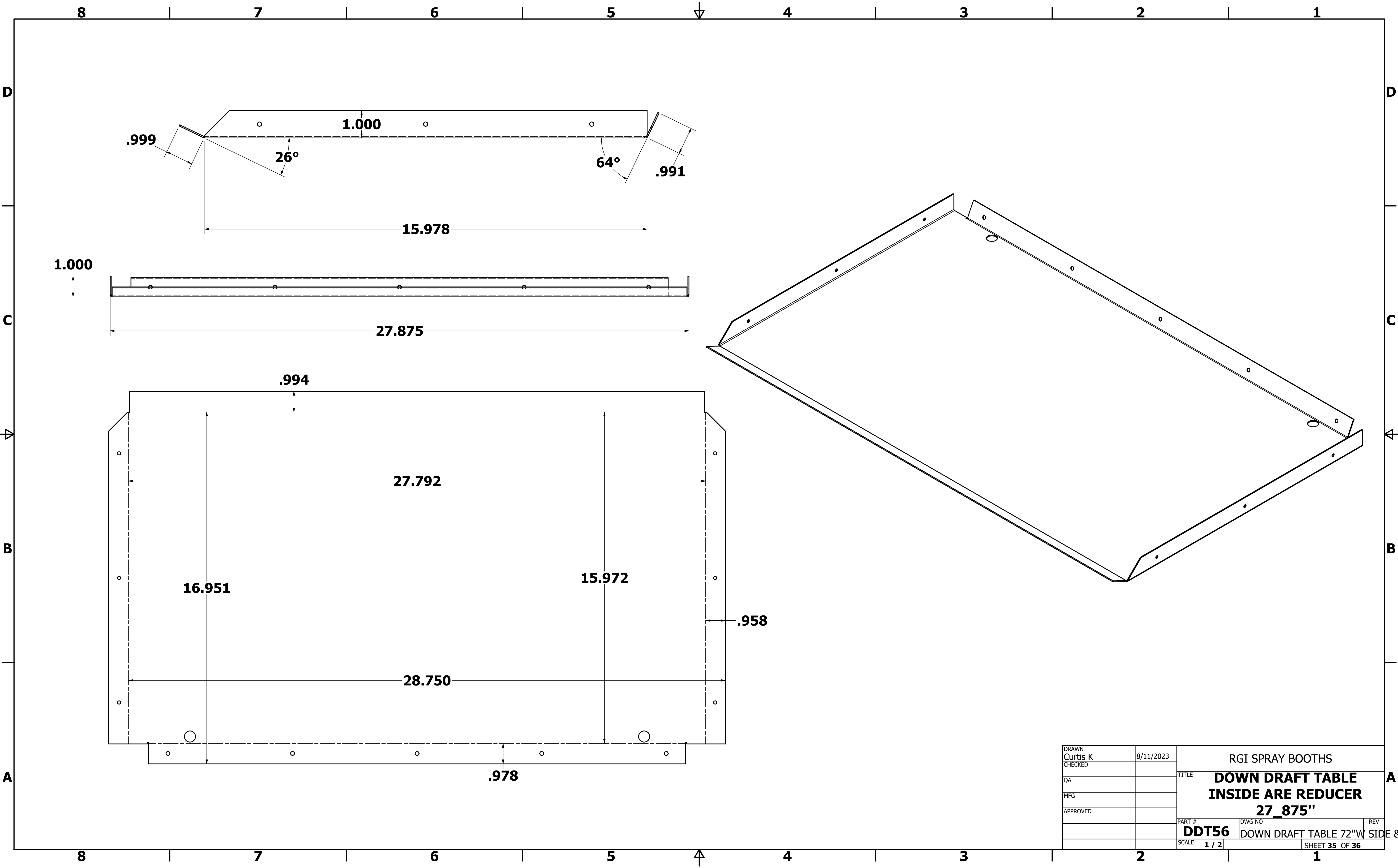
DRAWN Curtis K	8/11/2023	RGI SPRAY BOOTHS	
CHECKED		TITLE <b>DOWN DRAFT TABLE GRATING STIFFENER BRACKET 35_650 X 1_8750</b>	
QA		PART #	REV
MFG		<b>DDT72</b>	
APPROVED		DWG NO	DOWN DRAFT TABLE 72"W SIDE &
		SCALE	SHEET 33 OF 36
		<b>1 / 2</b>	

#3729 - 97X48 - 16G GALVANIZED STEEL



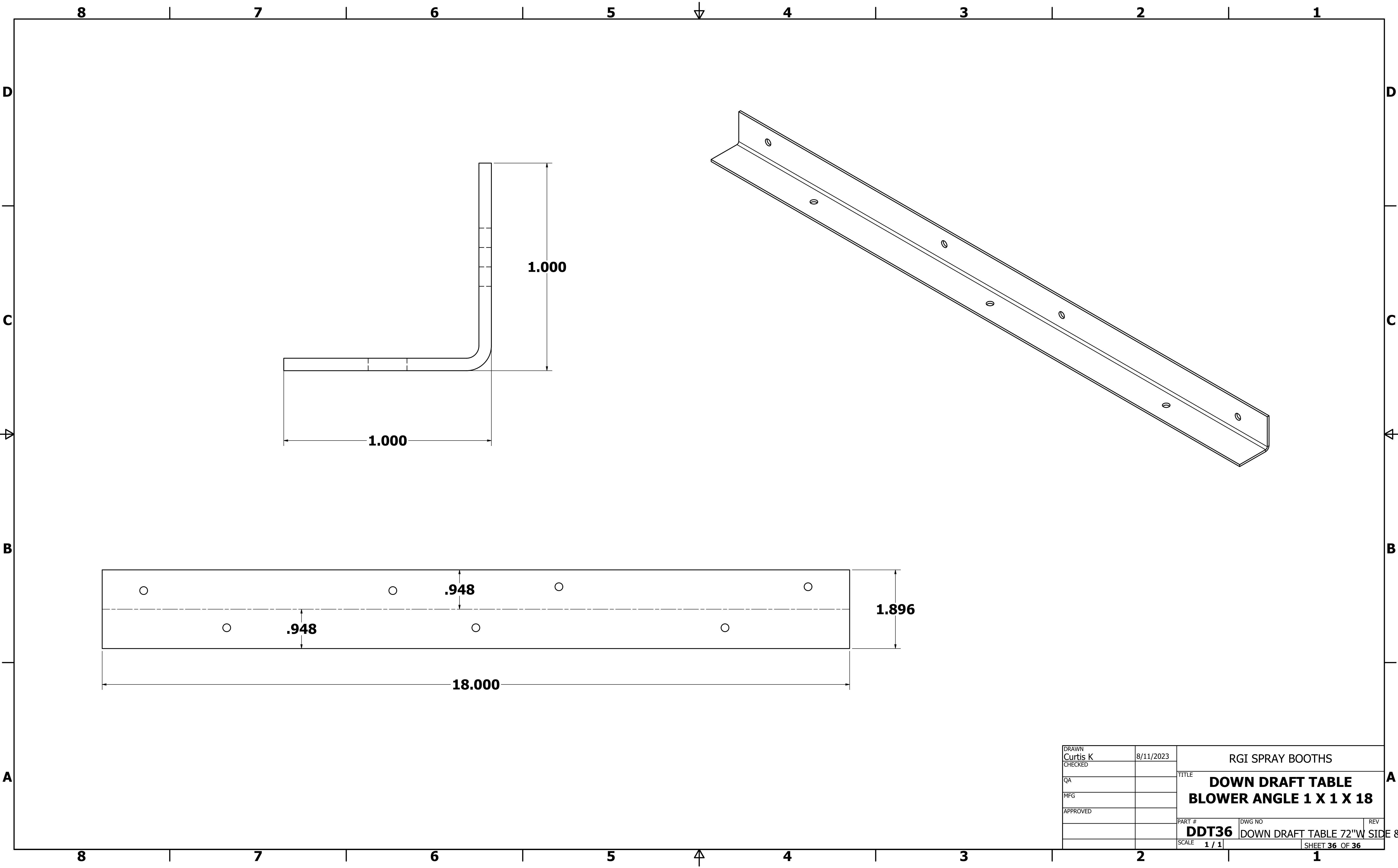
DRAWN Curtis K	8/11/2023	RGI SPRAY BOOTHS	
CHECKED		TITLE <b>DOWN DRAFT TABLE BLOWER VENT TUNNEL 5_250"</b>	
QA		PART #	REV
MFG		<b>DDT54</b>	
APPROVED		DWG NO	
		SCALE	1 / 2
			SHEET 34 OF 36

#3747 - 144 X 48 - 18G GALVANIZED STEEL



DRAWN Curtis K	8/11/2023	RGI SPRAY BOOTHS	
CHECKED		TITLE <b>DOWN DRAFT TABLE INSIDE ARE REDUCER 27_875"</b>	
QA		PART #	REV
MFG		<b>DDT56</b>	
APPROVED		DWG NO	
		SCALE	SHEET 35 OF 36
		1 / 2	

#3747 - 144 X 48 - 18G GALVANIZED STEEL



DRAWN Curtis K	8/11/2023	RGI SPRAY BOOTHS	
CHECKED		TITLE <b>DOWN DRAFT TABLE BLOWER ANGLE 1 X 1 X 18</b>	
QA		PART #	REV
MFG		<b>DDT36</b>	DWG NO
APPROVED		DOWN DRAFT TABLE 72"W SIDE &	
		SCALE 1 / 1	SHEET 36 OF 36

#3713 - 121 X 48 - 18G GALVANIZED STEEL