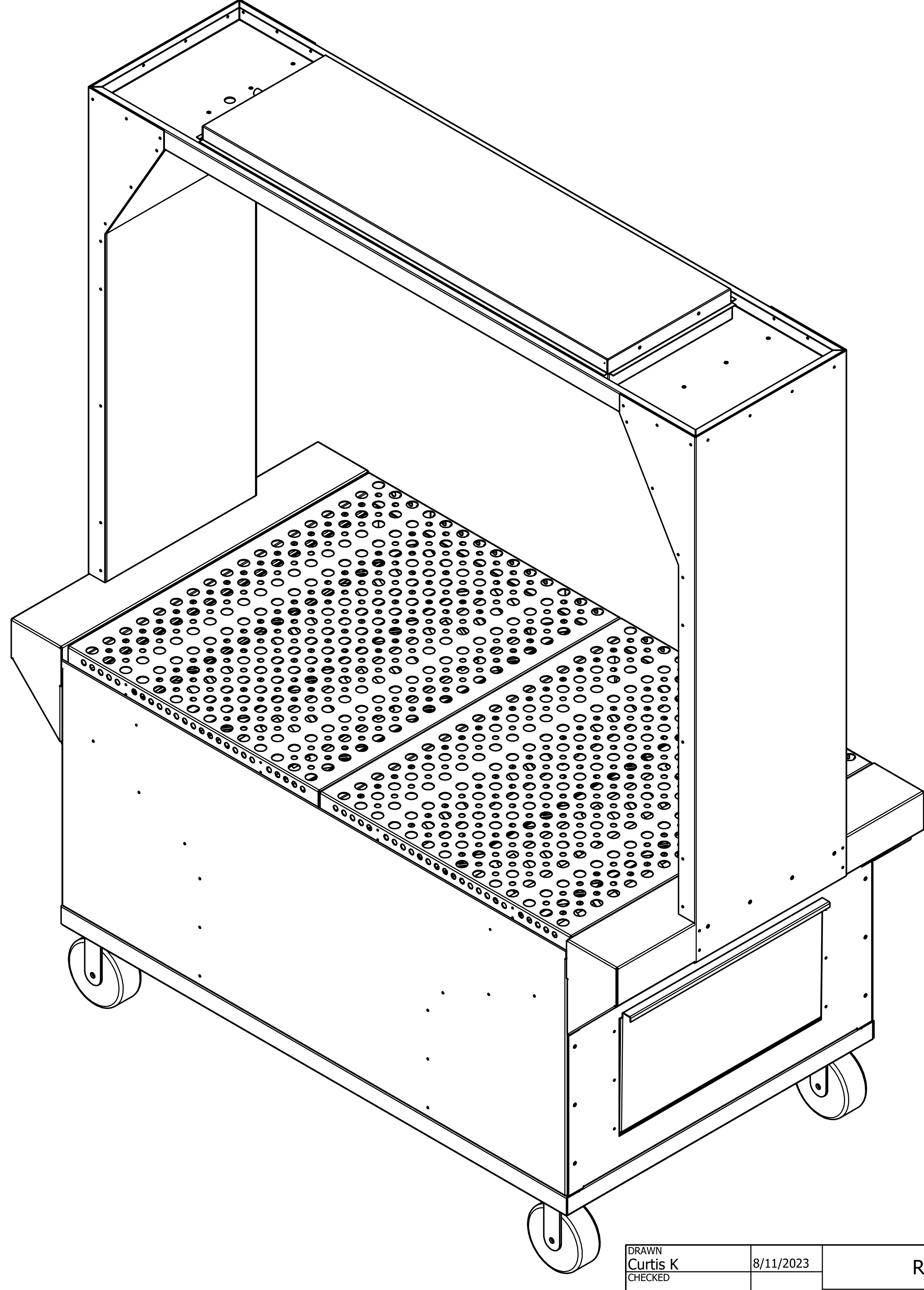
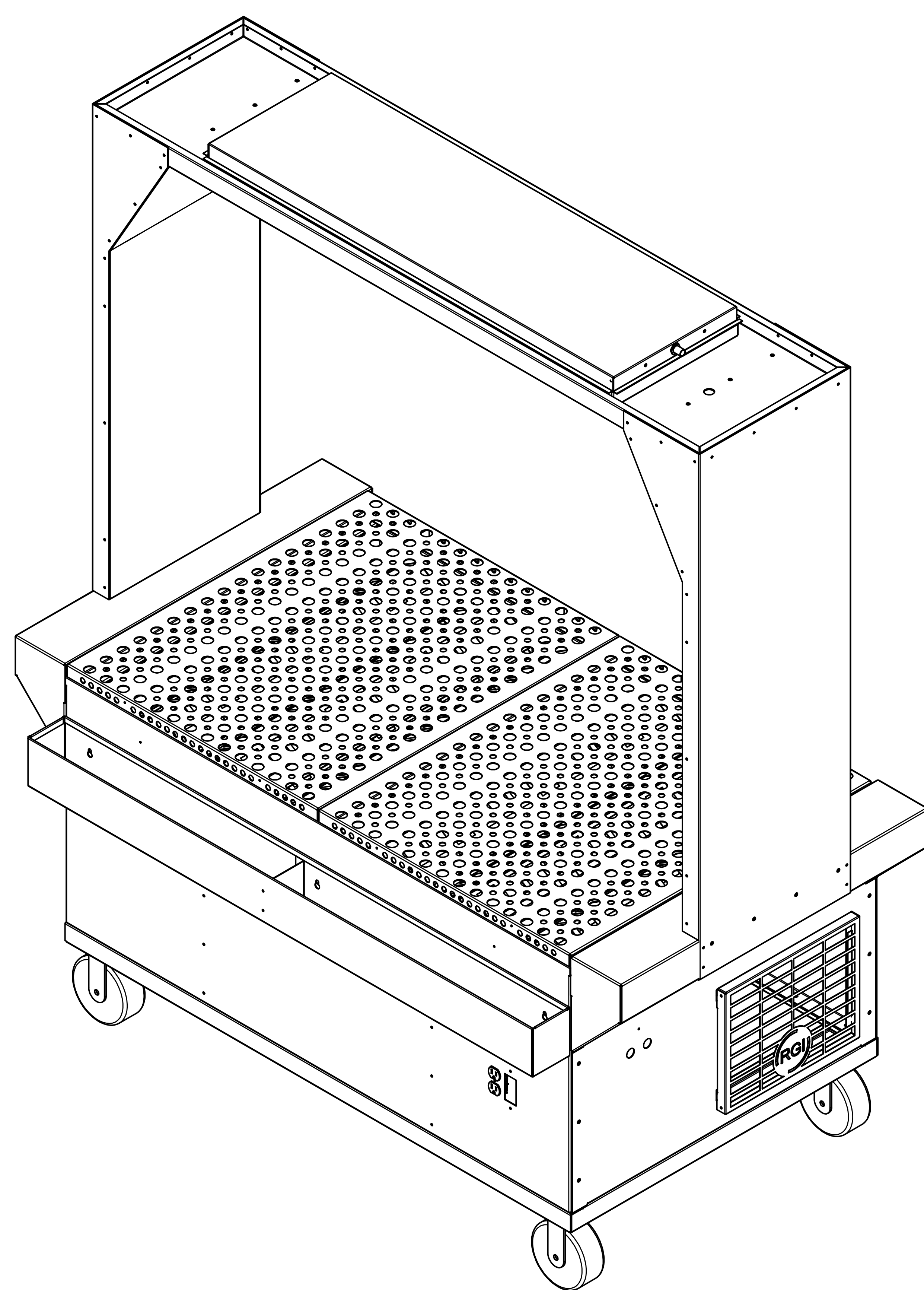


8 7 6 5 4 3 2 1



D  
C  
B  
A

D  
C  
B  
A

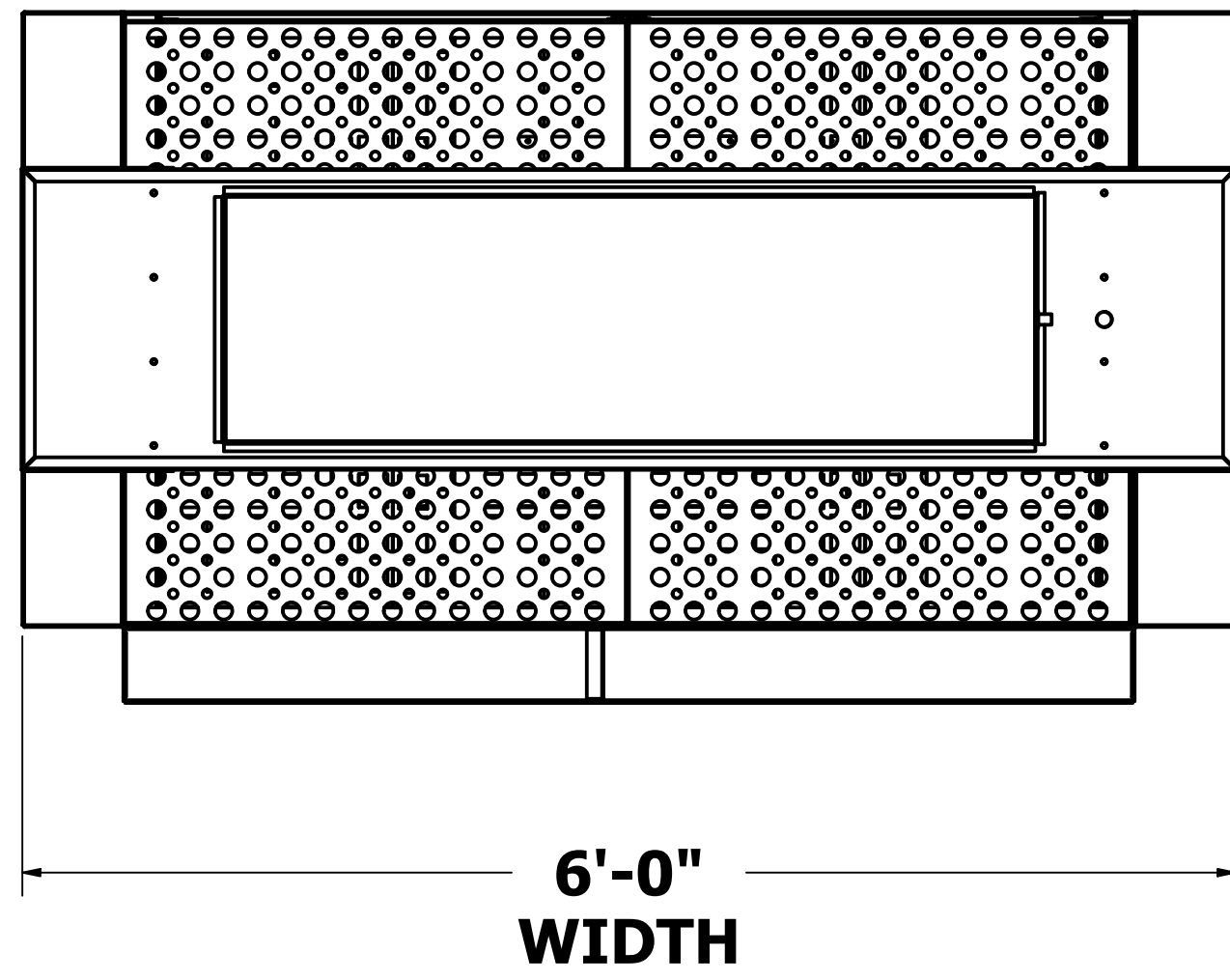
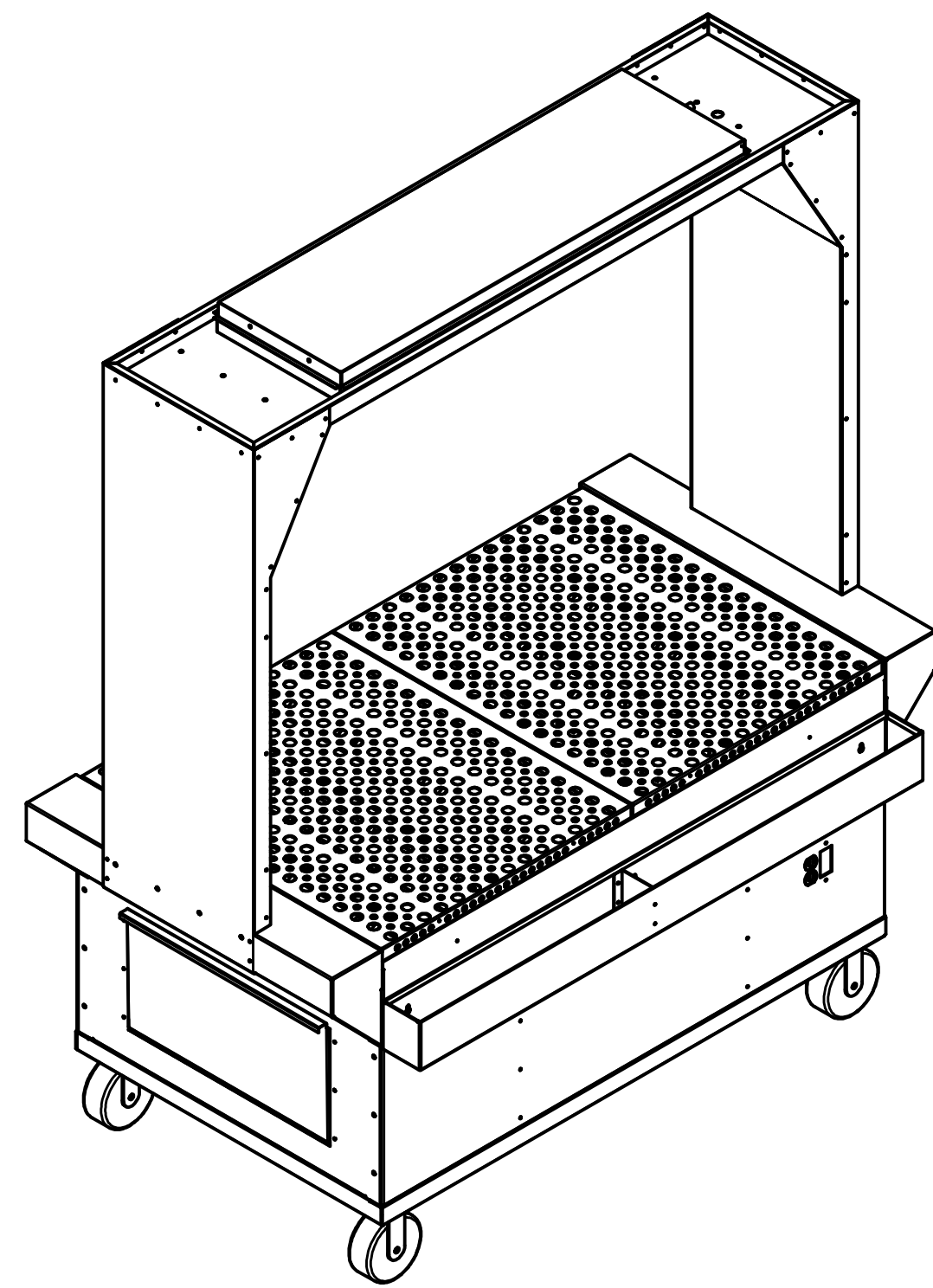
8 7 6 5 4 3 2 1

THIS DOCUMENT CONTAINS CONFIDENTIAL AND PROPRIETARY INFORMATION THAT CANNOT BE REPRODUCED OR DIVULGED, IN WHOLE OR IN PART, WITHOUT WRITTEN AUTHORIZATION FROM RGI SPRAY BOOTHS

DRAWN Curtis K	8/11/2023	RGI SPRAY BOOTHS	
CHECKED		TITLE	
QA		<b>DOWN DRAFT TABLE 72"W LIGHTED</b>	
MFG		PART #	DWG NO
APPROVED			REV
		SCALE 1 / 6	SHEET 1 OF 35

A

LIGHTED



**DOWN DRAFT TABLE CONSTRUCTION:**

CONSTRUCTION: 16 GA. ZINC GALVANIZED STEEL PANELS, PRE PUNCHED AND ASSEMBLED WITH 1/4 NUTS AND BOLTS

OUTSIDE DIMENSIONS: 6'-0" W X 3'-5" L X 7'-2" H  
 WORK SURFACE DIMENSIONS: 6'-0" W X 3'-0" L X 3'-0" H

**POST EXHAUST FILTERS:**

(1) EXHAUST FILTER 20" X 16"  
 PAINT POCKET

**EXHAUST FILTERS:**

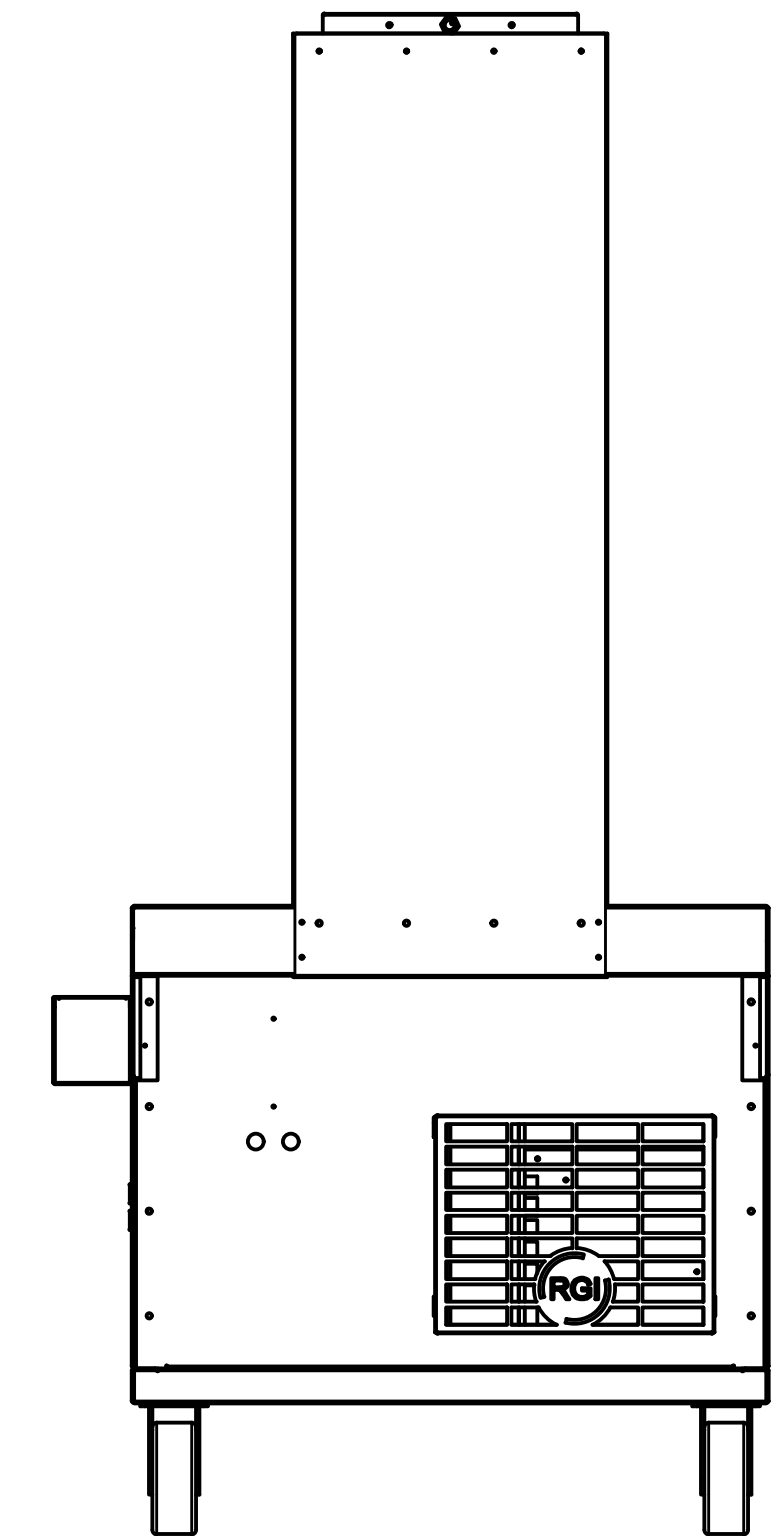
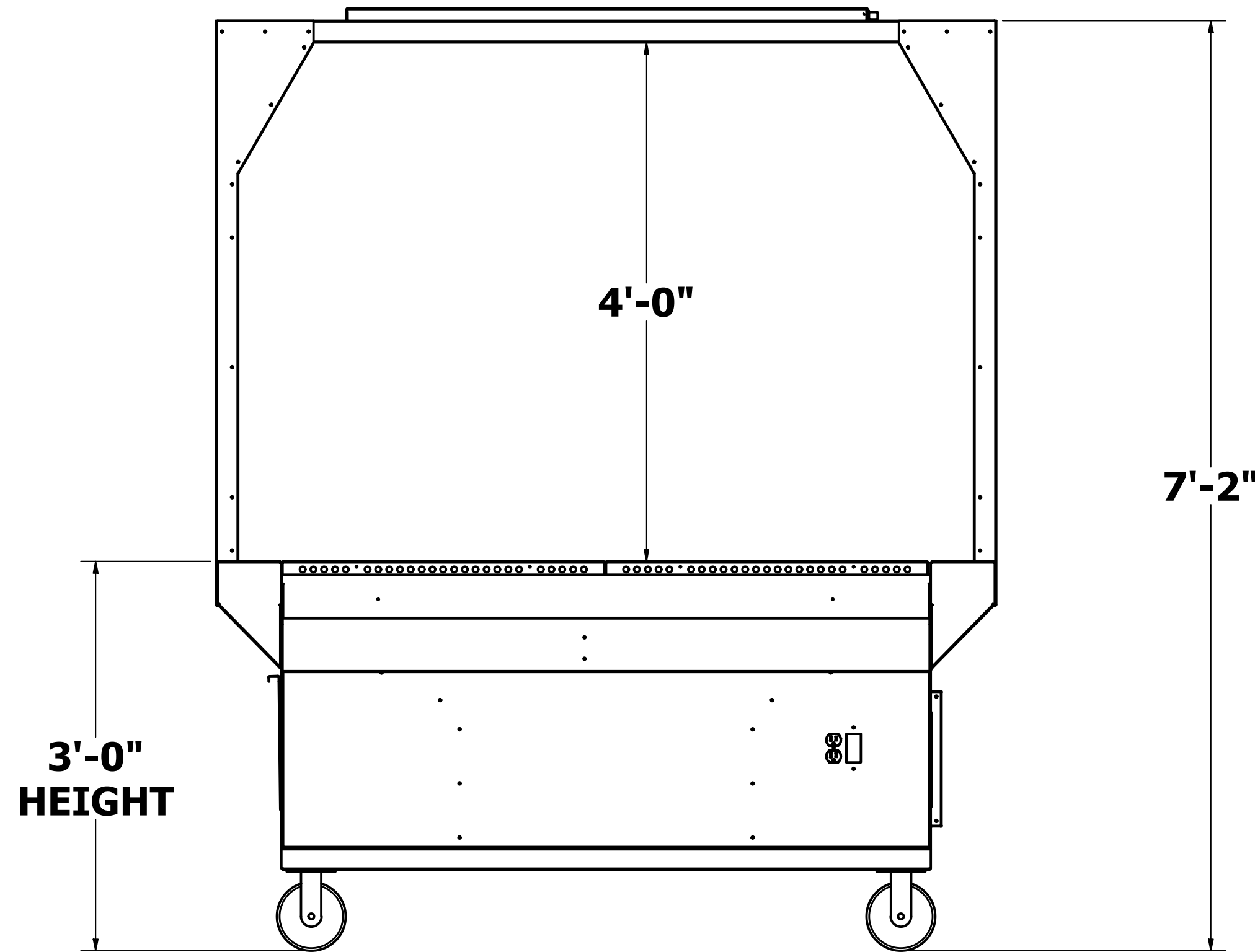
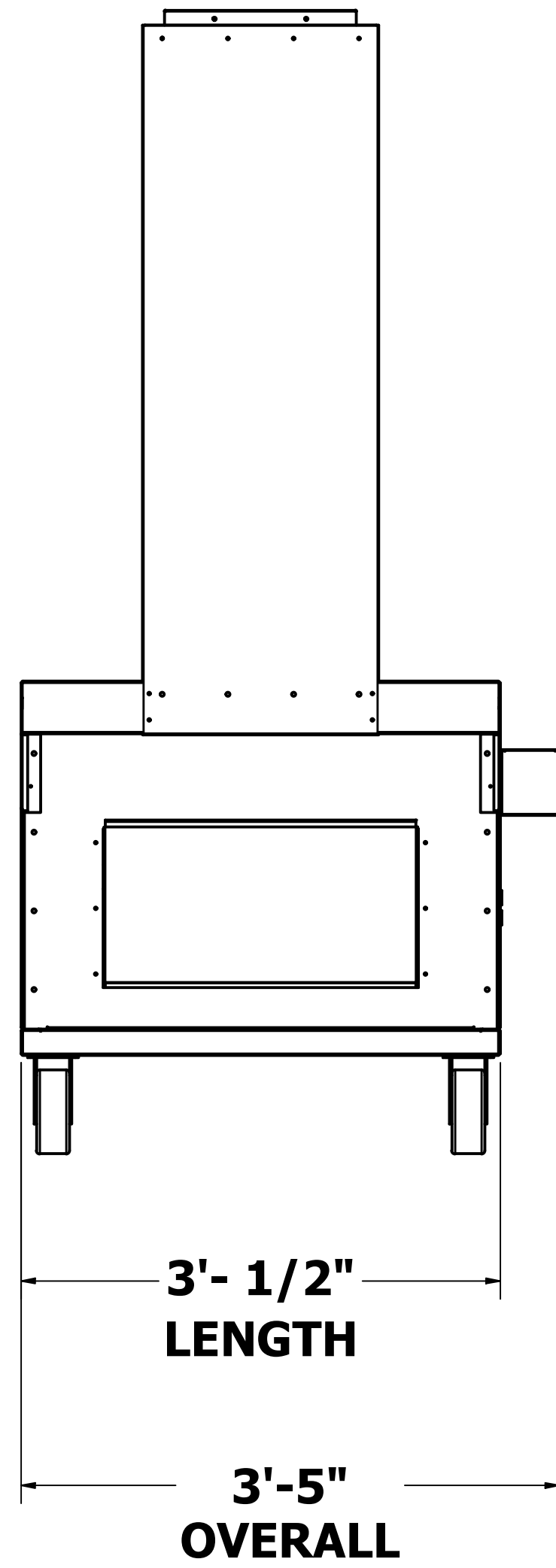
(2) INTAKE FILTERS 30" X 34"  
 DRY TYPE FIBER GLASS

**MECHANICAL:**

BELT DRIVEN CAGE MOTORS. BELT DRIVEN MOTORS ARE TYPICALLY QUIETER AND PROVIDE MORE CONTROL OVER THE BLOWER SPEED AND AIRFLOW.

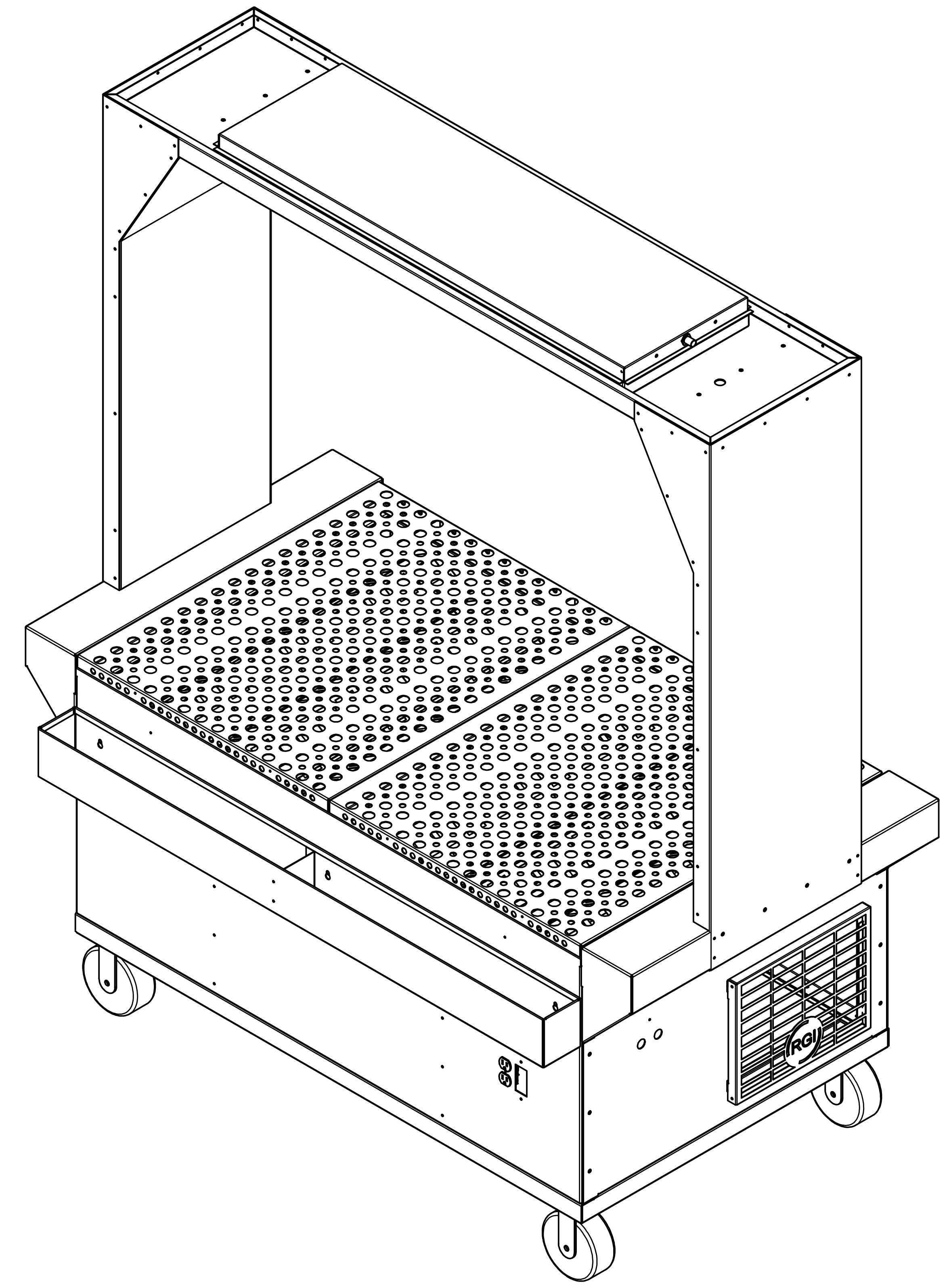
(1) 1HP 3PH MOTOR VOLTAGE 208-230/460  
 DELIVERS: 2,701 CFM @ 1.200" S.P.

AC MOTOR SPEED CONTROL:  
 ADJUSTABLE FREQUENCY DRIVE 3PH AC MOTORS NEMA 4X / IP 65



DRAWN Curtis K	8/11/2023	RGI SPRAY BOOTHS	
CHECKED		TITLE	
QA		<b>DOWN DRAFT TABLE 72"W LIGHTED</b>	
MFG			
APPROVED		PART #	DWG NO
		DOWN DRAFT TABLE 72"W LIGHTED	
		SCALE 1 / 11	SHEET 2 OF 35

PARTS LIST			
ITEM	QTY	PART NUMBER	DESCRIPTION
DDT2	2	DOWN DRAFT TABLE BASE PANEL END STIFFENING FLANGE 16GA	
DDT27	1	DRAFT TABLE FILTER END PANEL LEFT 36_500 X 25_500	
DDT26	1	DRAFT TABLE END PANEL 36_500 X 25_500	
DDT36	2	DOWN DRAFT TABLE BLOWER ANGLE 1 X 1 X 18	#3747 (1)
DDT42	1	DOWN DRAFT TABLE EXHAUST L DIFFUSER	
DDT43	1	DOWN DRAFT TABLE BASE PANEL 60 X 36_500 16GA	#3728 (1)
DDT44	2	DOWN DRAFT FILTER FRAME MIDDLE CROSS 55_675 X 4_875	
DDT45	1	DRAFT TABLE FRONT SIDE 60X24_500	#3746 (1)
DDT46	4	DRAFT TABLE CASSETTE TOP 36 X 10	#3745 (2)
DDT47	4	DRAFT TABLE CASSETTE FILTER END PANEL 27_340 X 4_650	
DDT48	2	DRAFT TABLE CASSETTE FILTER GRID 27"L	
DDT49	4	DRAFT TABLE FILTER CASSETTE ANGLE 36" 63 DEG	
DDT50	1	DOWN DRAFT TABLE DIVIDER 36_350 X 14	
DDT51	1	DOWN DRAFT FILTER TABLE DIVIDER 36_350 X 14	
DDT74	1	DRAFT TABLE FRONT SIDE 60X24_500 NO OUTLET	#3752 (1)
DDT53	2	DOWN DRAFT FILTER FRAME END CROSS 36_25 X 4_875	
DDT54	1	DOWN DRAFT TABLE BLOWER VENT TUNNEL 5_250"L	
DDT56	2	DOWN DRAFT TABLE INSIDE AREA REDUCER 27_750	
DDT76	2	DOWN DRAFT TABLE LIGHTING EXTENSION 36_500 X 6	
DDT61	2	DOWN DRAFT TABLE PIVOT CUBBIE ANGLE 12"	
DDT62	1	DOWN DRAFT TABLE PIVOT CUBIE FRONT 24" X 12"	
DDT63	1	DOWN DRAFT TABLE PIVOT CUBIE BACK	
DDT64	1	DOWN DRAFT TABLE FRONT DUST PAN	
DDT66	1	DOWN DRAFT TABLE PIVOT CUBBIE ANGLE 26 X 1 X 0_500	
DDT71	2	DOWN DRAFT TABLE GRATING TOP 36 X 30	#3729 (1)
DDT72	4	DOWN DRAFT TABLE GRATING STIFFENER BRACKET 35_850 X 1_875	
DDT17	4	DOWN DRAFT TABLE BAFFLE PANEL FILLER TAB	
DDT102	2	DOWN DRAFT TABLE LIGHT SIDE PANEL OUTSIDE SKIN 55"X18"	
DDT103	2	DOWN DRAFT TABLE LIGHT SIDE PANEL INSIDE SKIN 55"X18"	
DDT104	1	DOWN DRAFT TABLE 4' LIGHT PANEL 72"X18"	
CW1	4	CASTER WHEEL	
AF-15	1	AIR FORCE INTAKE GRILL_REV 5	#3715 (1)



DRAWN Curtis K	8/11/2023	RGI SPRAY BOOTHS	
CHECKED		TITLE	
QA		<b>DOWN DRAFT TABLE 72"W LIGHTED</b>	
MFG		PART #	DWG NO
APPROVED			REV
		SCALE 1 / 6.5	SHEET 3 OF 35

8 7 6 5 4 3 2 1

**PARTS LIST**

ITEM	QTY	PART NUMBER	DESCRIPTION
DDT44	1	DOWN DRAFT FILTER FRAME MIDDLE CROSS 55_675 X 4_875	
DDT45	1	DRAFT TABLE FRONT SIDE 60X24_500	

D

D

C

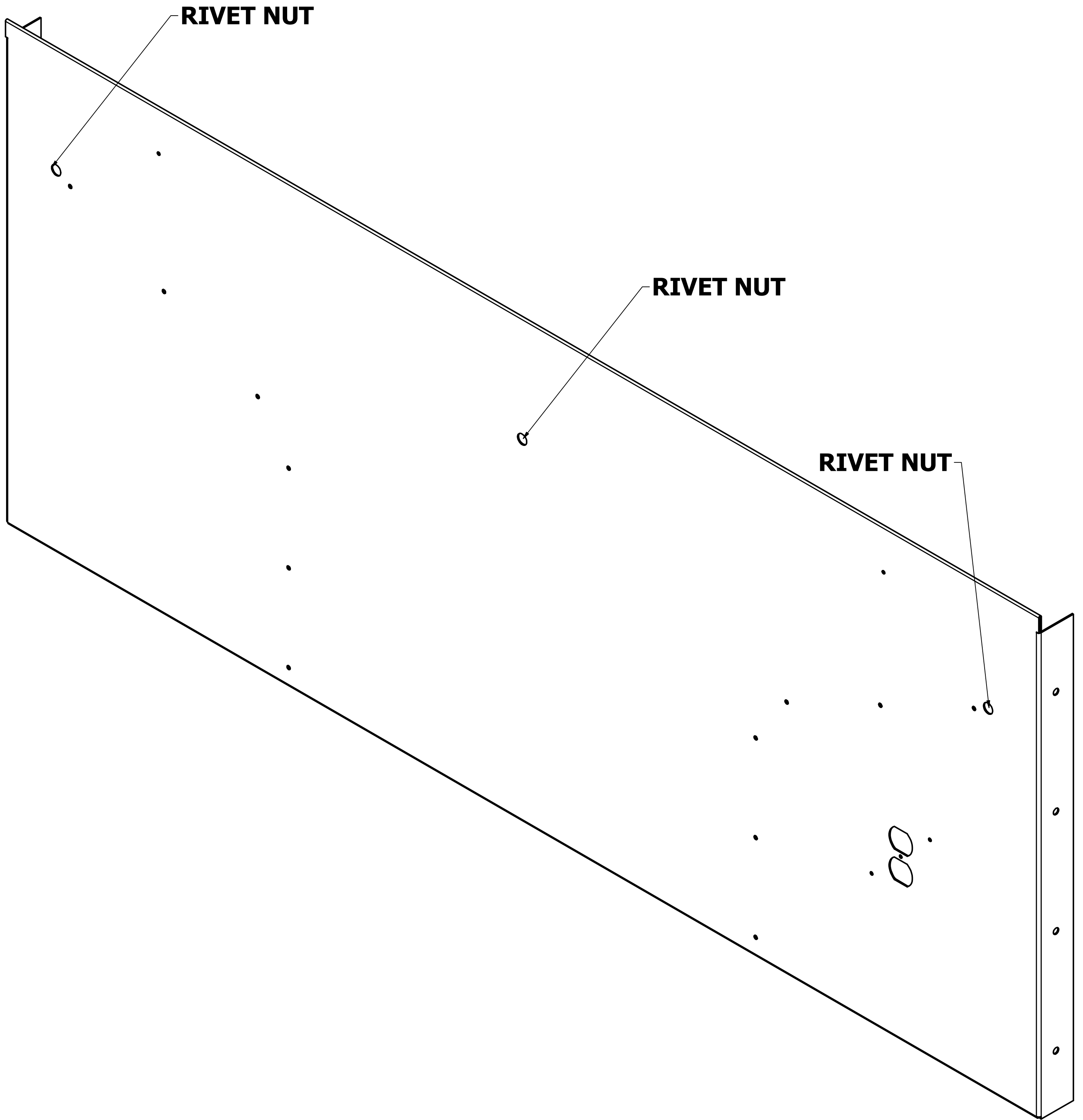
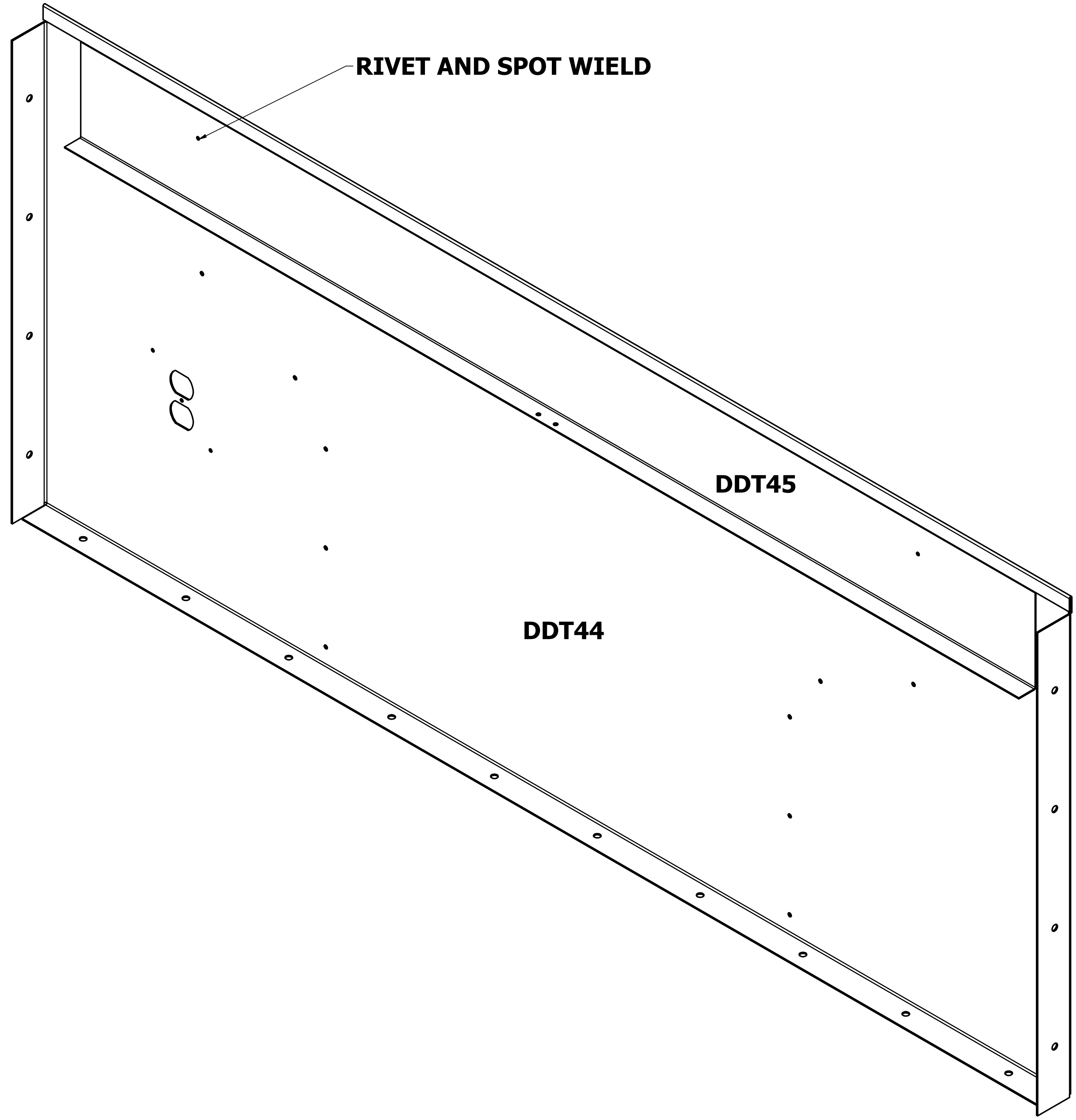
C

B

B

A

A



DRAWN Curtis K	8/11/2023	RGI SPRAY BOOTHS	
CHECKED		TITLE <b>DOWN DRAFT TABLE FRONT PANEL ASSEMBLY</b>	
QA		PART #	DWG NO
MFG			
APPROVED			REV
		SCALE 1 / 3	SHEET 4 OF 35

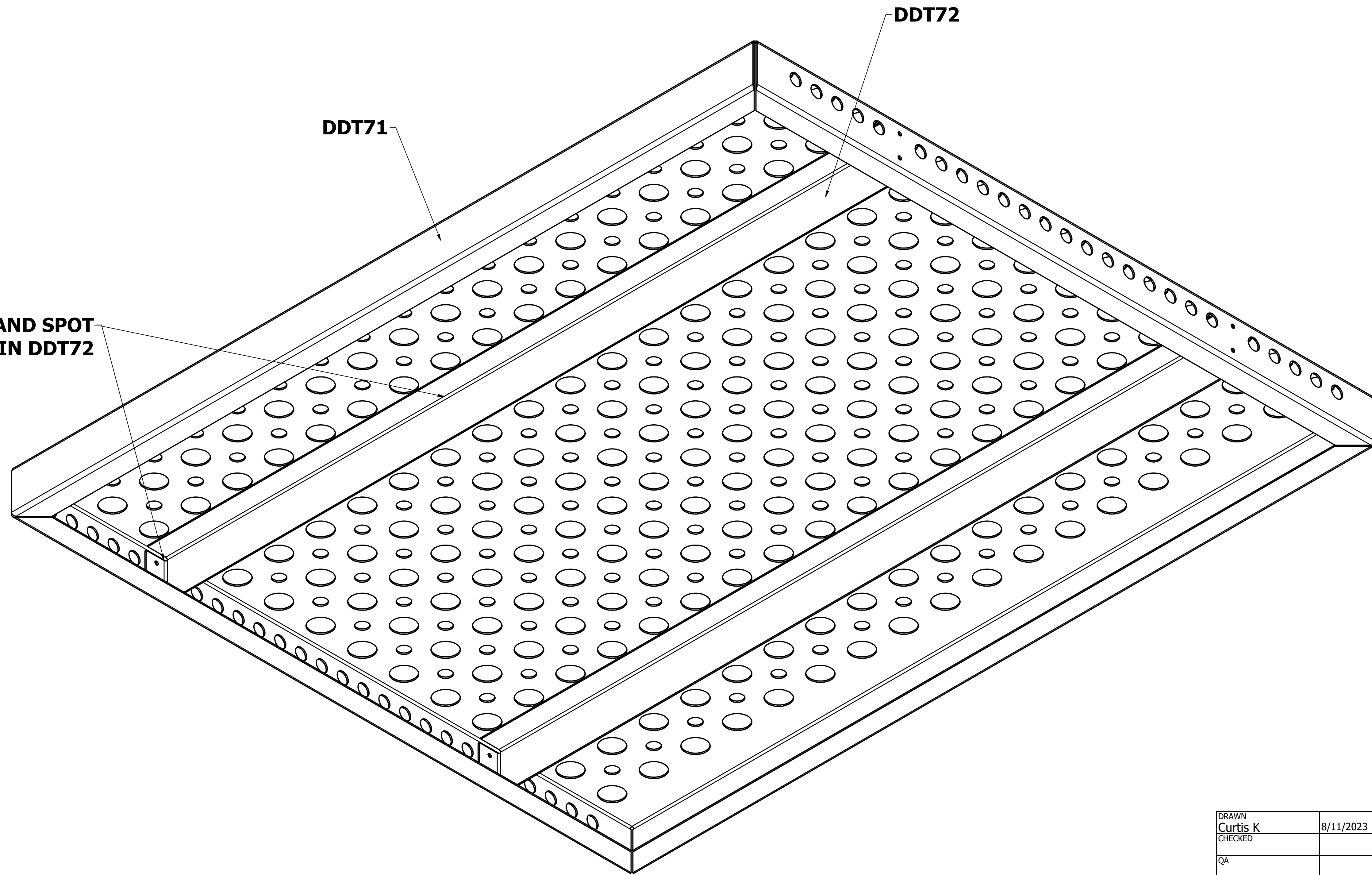
8 7 6 5 4 3 2 1



8 7 6 5 4 3 2 1

**PARTS LIST**

ITEM	QTY	PART NUMBER	DESCRIPTION
DDT72	2	DOWN DRAFT TABLE GRATING STIFFENER BRACKET 35_850 X 1_875	
DDT71	1	DOWN DRAFT TABLE GRATING TOP 36 X 30	



**RIVET AND SPOT WELD IN DDT72**

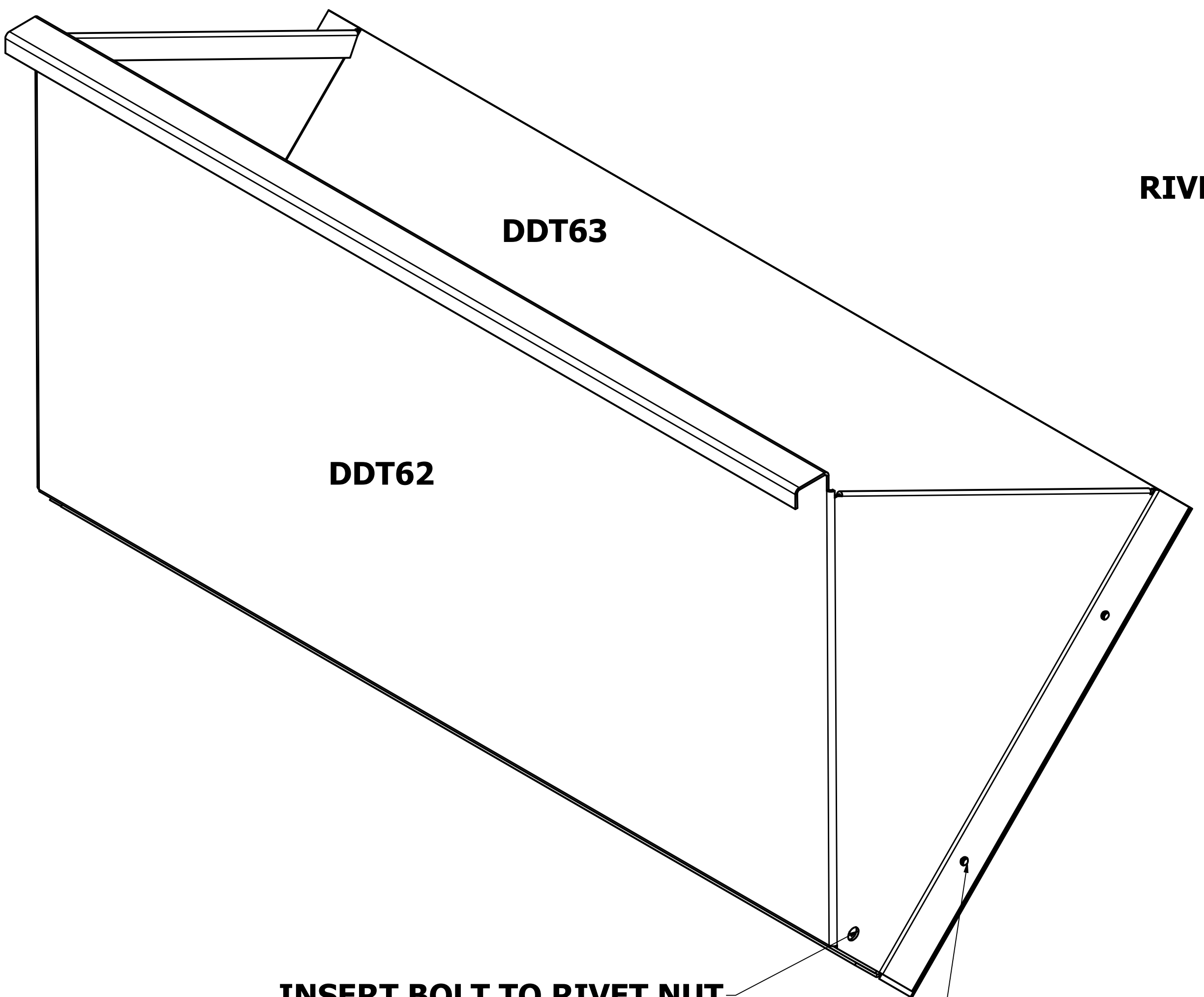
**DDT72**

**DDT71**

DRAWN Curtis K	8/11/2023	RGI SPRAY BOOTHS	
CHECKED		TITLE <b>DOWN DRAFT TABLE GRATING ASSEMBLY</b>	
QA		PART #	DWG NO
MFG			
APPROVED			REV
		SCALE 1 / 2	SHEET 5 OF 35

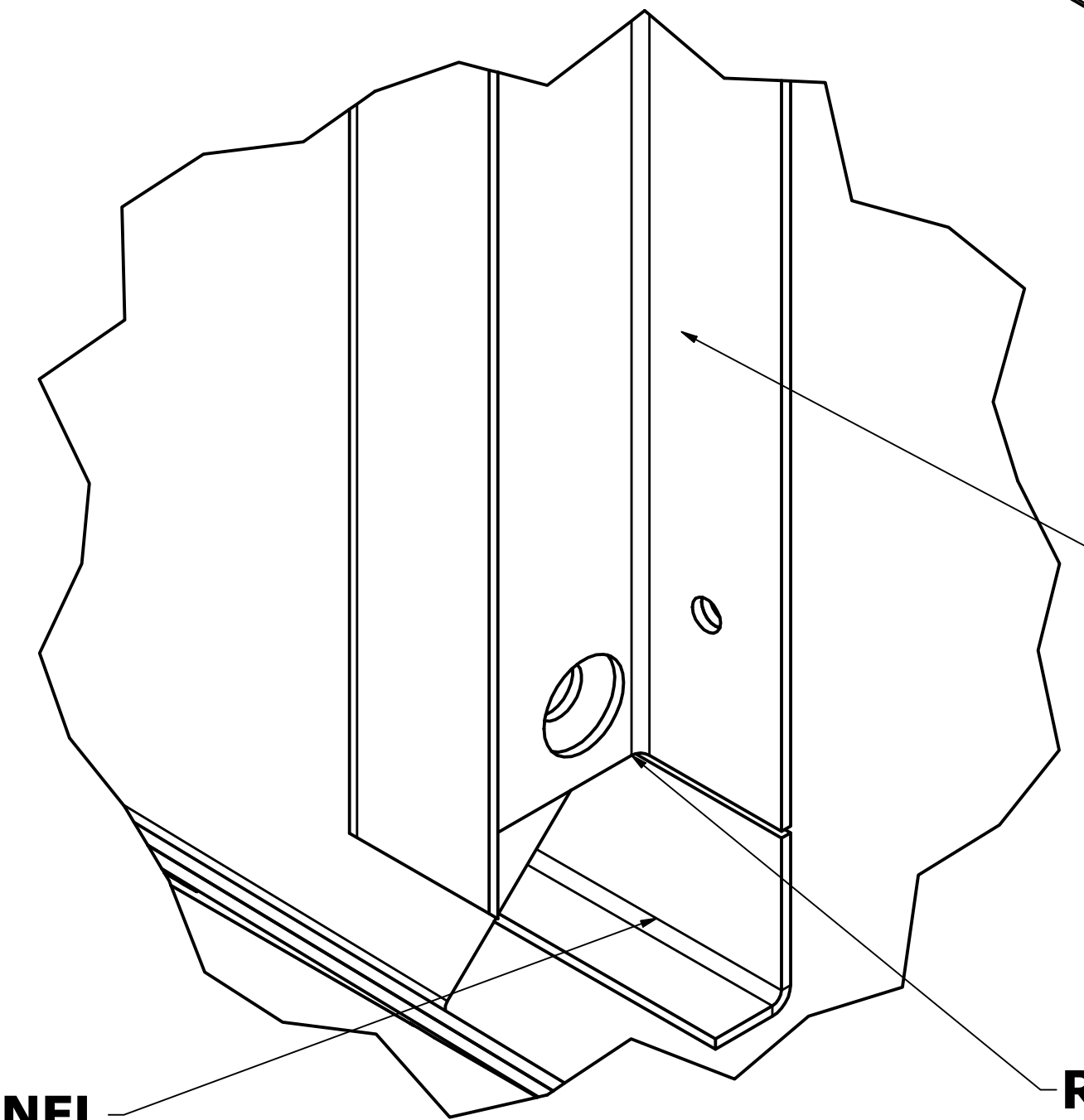
8 7 6 5 4 4 3 2 1

PARTS LIST			
ITEM	QTY	PART NUMBER	DESCRIPTION
DDT26	1	DRAFT TABLE END PANEL 36_500 X 25_500	
DDT61	2	DOWN DRAFT TABLE PIVOT CUBBIE ANGLE 12"	
DDT62	1	DOWN DRAFT TABLE PIVOT CUBIE FRONT 24" X 12"	
DDT63	1	DOWN DRAFT TABLE PIVOT CUBIE BACK	
DDT66	1	DOWN DRAFT TABLE PIVOT CUBBIE ANGLE 26 X 1 X 0_500	

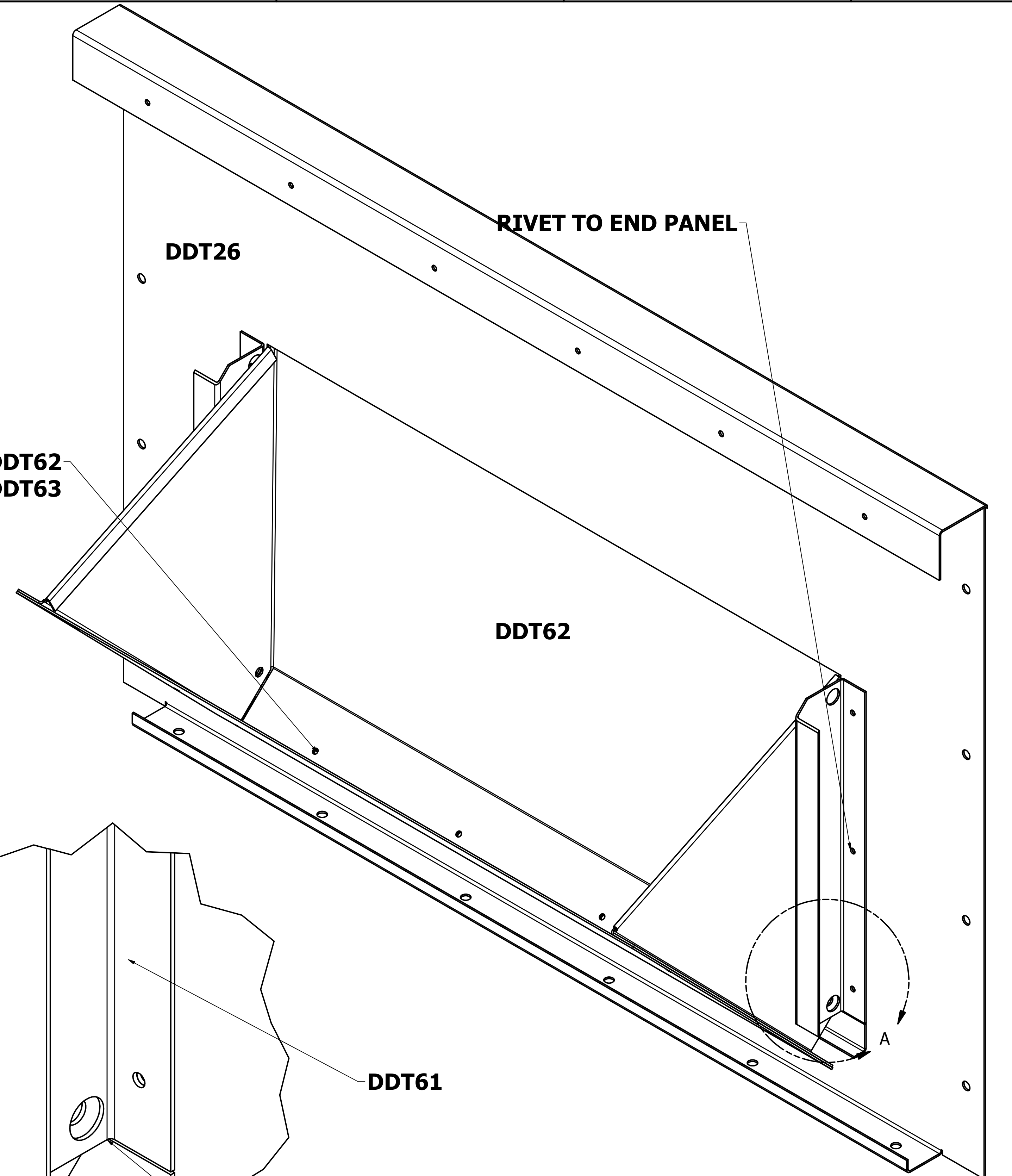


INSERT BOLT TO RIVET NUT

RIVET DDT62 AND DDT63



DDT66 SPOT WIELD TO BOTTOM OF END PANEL

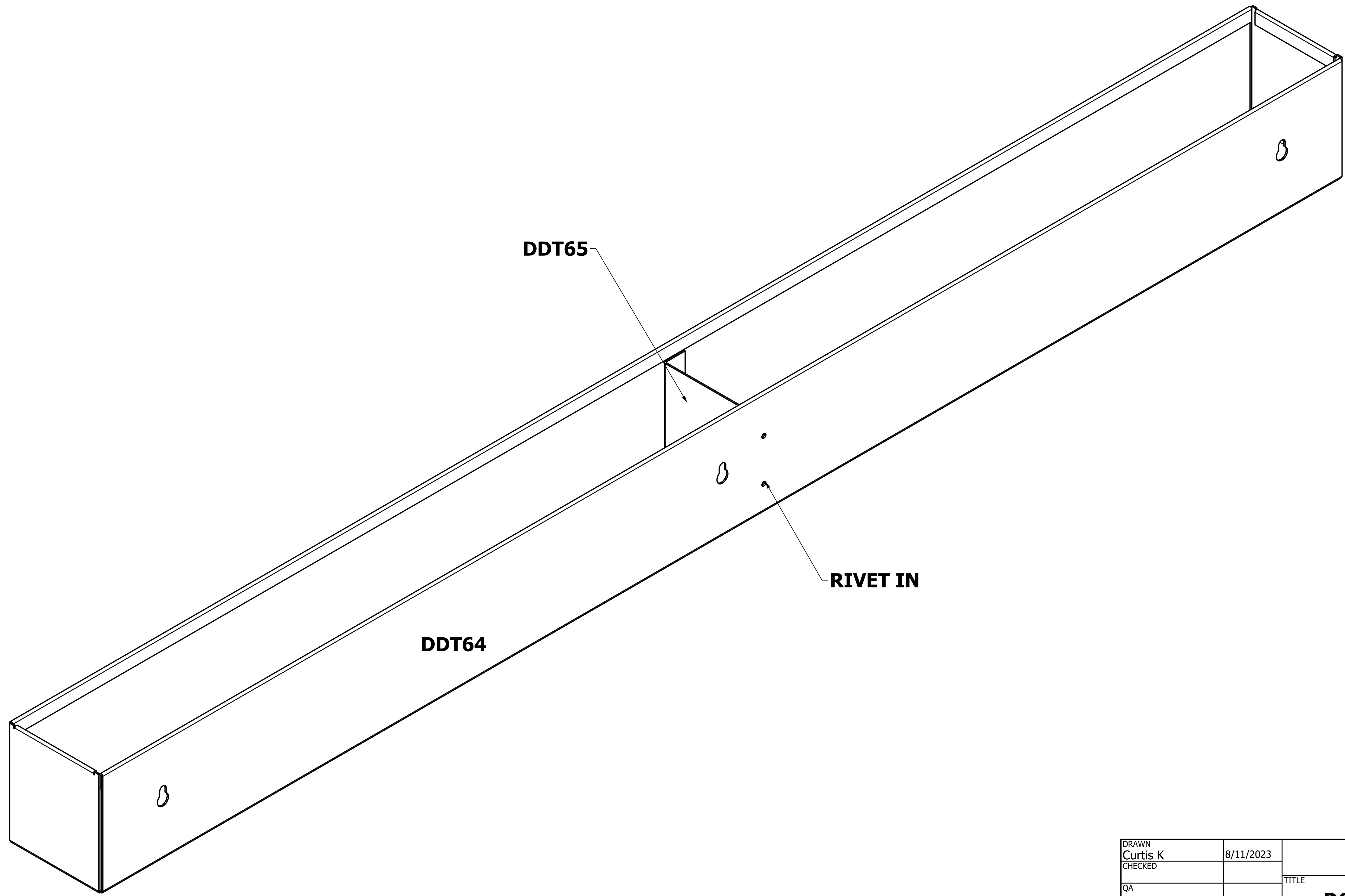


DRAWN Curtis K	8/11/2023	RGI SPRAY BOOTHS	
CHECKED		TITLE	
QA		<b>DOWN DRAFT TABLE CUBBIE PANEL ASSEMBLY</b>	
MFG		PART #	DWG NO
APPROVED		DOWN DRAFT TABLE 72"W LIGHTER	
		SCALE 1 / 2	SHEET 6 OF 35

8 7 6 5 4 3 2 1

**PARTS LIST**

ITEM	QTY	PART NUMBER	DESCRIPTION
DDT64	1	DOWN DRAFT TABLE FRONT DUST PAN	
DDT65	1	DOWN DRAFT TABLE FRONT DUCT PAN SUPPORT ANGLE	



DDT65

RIVET IN

DDT64

DRAWN Curtis K	8/11/2023	RGI SPRAY BOOTHS	
CHECKED		TITLE	
QA		<b>DOWN DRAFT TABLE DUST PAN ASSEMBLY</b>	
MFG		PART #	DWG NO
APPROVED			REV
		SCALE 1 / 2	SHEET 7 OF 35

8 7 6 5 4 3 2 1

8 7 6 5 4 3 2 1

**PARTS LIST**

ITEM	QTY	PART NUMBER	DESCRIPTION
DDT46	2	DRAFT TABLE CASSETTE TOP 36 X 10	
DDT47	2	DRAFT TABLE CASSETTE FILTER END PANEL 27_340 X 4_650	
DDT48	1	DRAFT TABLE CASSETTE FILTER GRID 27"L	
DDT49	2	DRAFT TABLE FILTER CASSETTE ANGLE 36" 63 DEG	

D

D

C

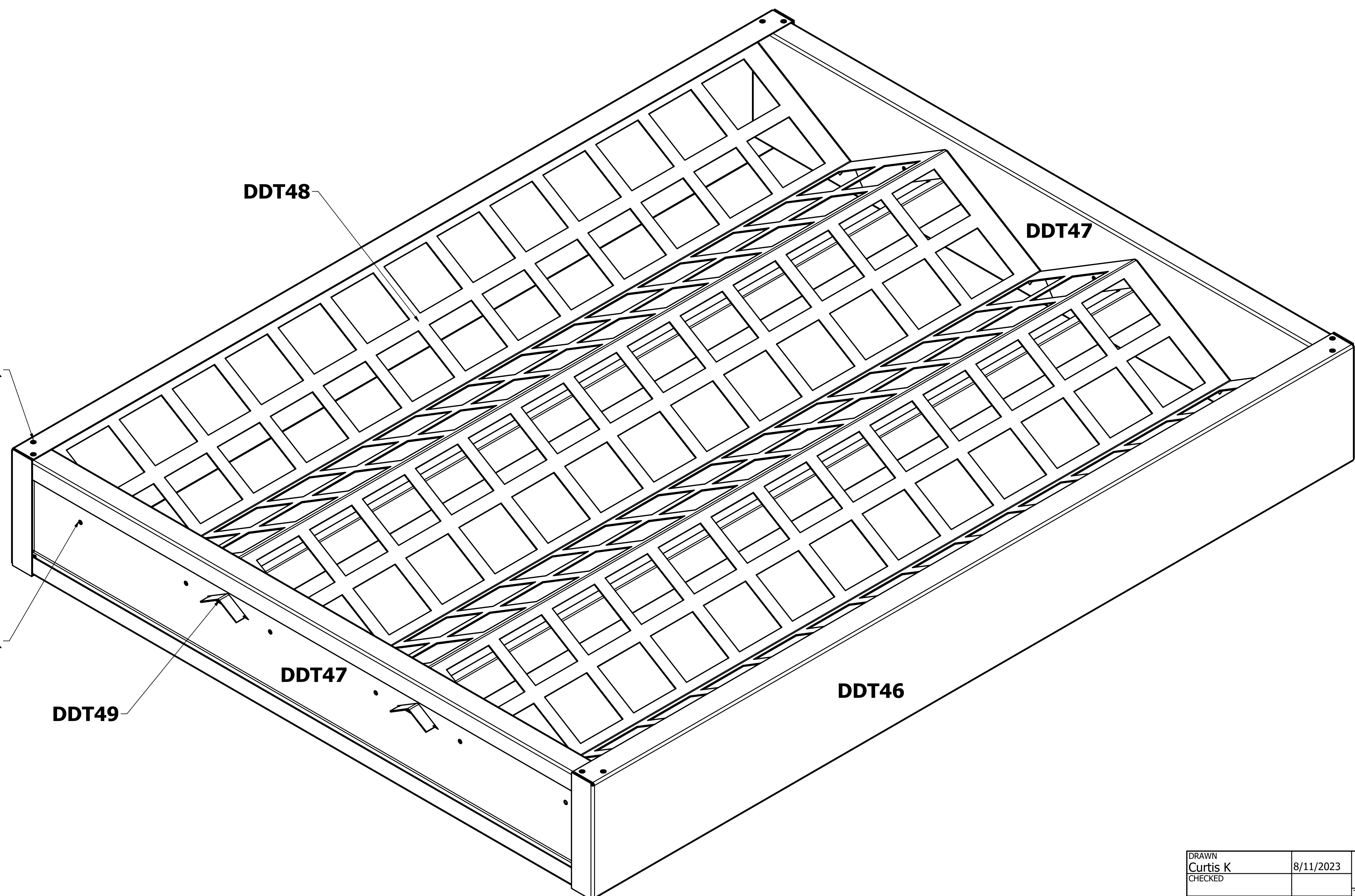
C

B

B

A

A



DRAWN Curtis K	8/11/2023	RGI SPRAY BOOTHS	
CHECKED		TITLE	
QA		<b>DOWN DRAFT TABLE CASSETTE FILTER ASSEMBLY</b>	
MFG		PART #	DWG NO
APPROVED			REV
		SCALE 1 / 2	SHEET 8 OF 35

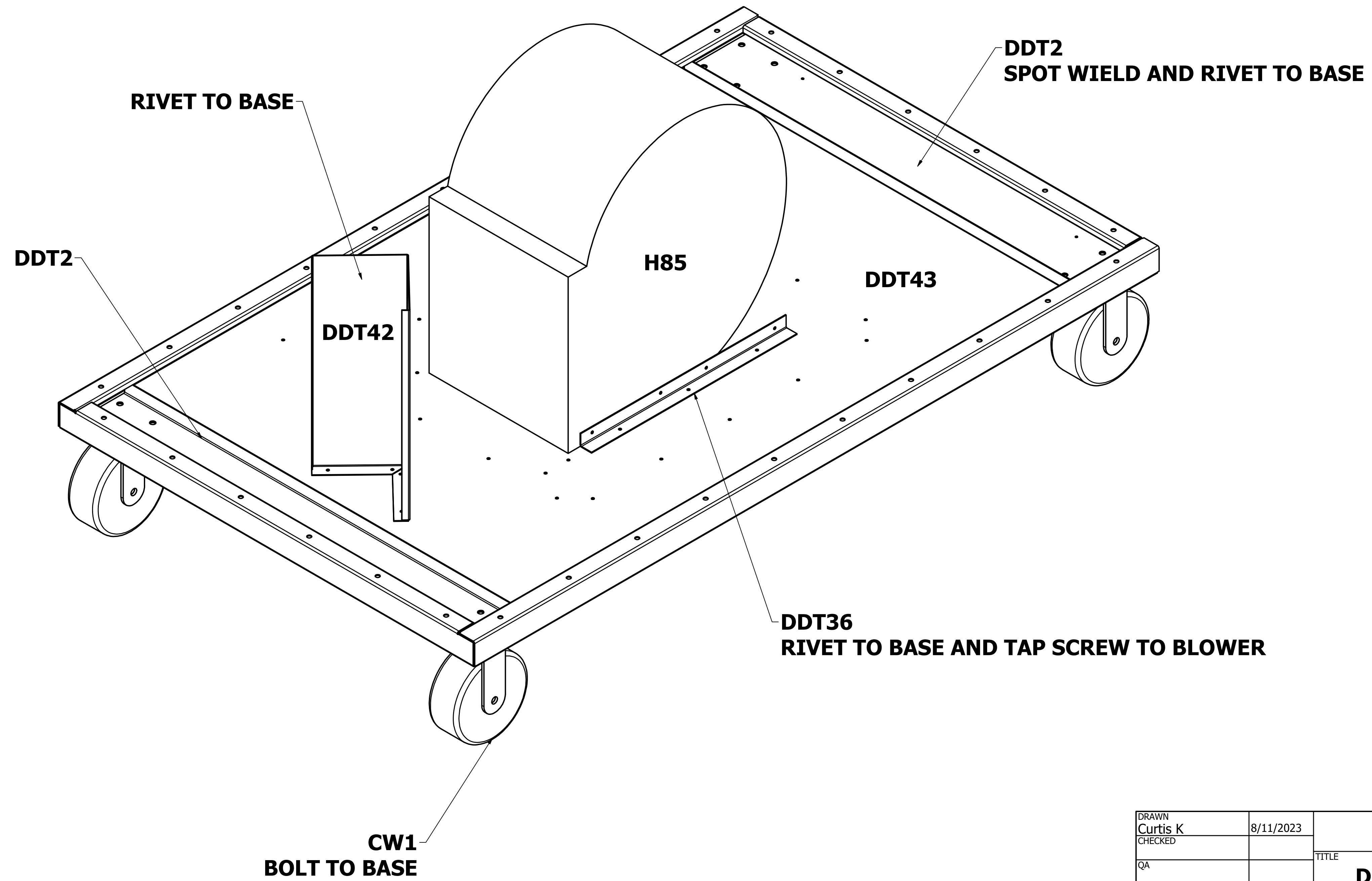
8 7 6 5 4 4 3 2 1



8 7 6 5 4 3 2 1

**PARTS LIST**

ITEM	QTY	PART NUMBER	DESCRIPTION
DDT2	2	DOWN DRAFT TABLE BASE PANEL END STIFFENING FLANGE 16GA	
CW1	4	CASTER WHEEL	
DDT43	1	DOWN DRAFT TABLE BASE PANEL 60 X 36_500 16GA	
H85	1	1XJY3 DAYTON BLOWER	
DDT36	2	DOWN DRAFT TABLE BLOWER ANGLE 1 X 1 X 18	
DDT42	1	DOWN DRAFT TABLE EXHAUST L DIFFUSER	



DRAWN Curtis K	8/11/2023	RGI SPRAY BOOTHS	
CHECKED		TITLE <b>DOWN DRAFT TABLE ASSEMBLY 1</b>	
QA		PART #	DWG NO
MFG		DOWN DRAFT TABLE 72"W LIGHTER	
APPROVED		SCALE 1 / 4	REV
		SHEET 9 OF 35	

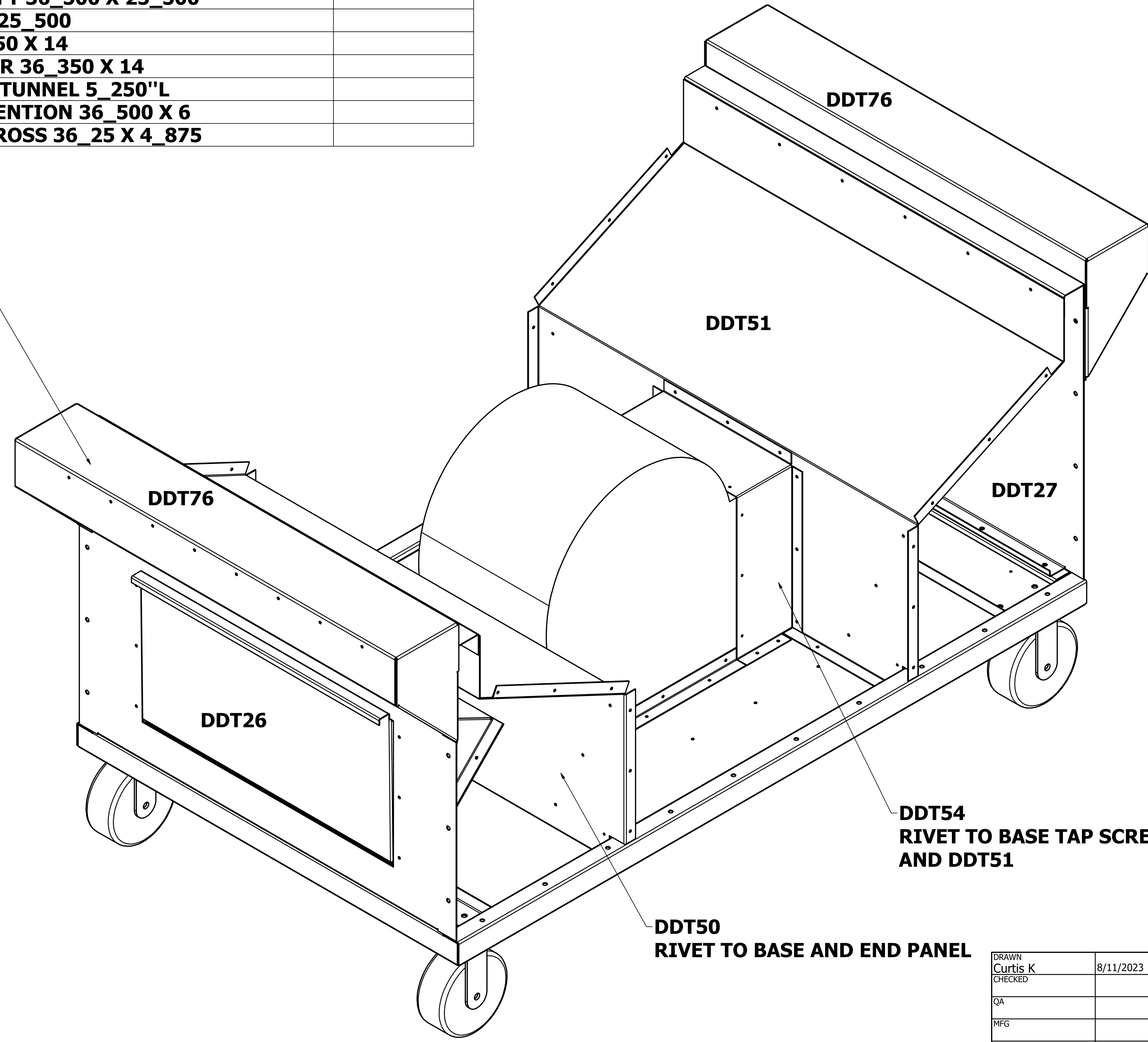
8 7 6 5 4 3 2 1

8 7 6 5 4 3 2 1

**PARTS LIST**

ITEM	QTY	PART NUMBER	DESCRIPTION
DDT27	1	DRAFT TABLE FILTER END PANEL LEFT 36_500 X 25_500	
DDT26	1	DRAFT TABLE END PANEL 36_500 X 25_500	
DDT50	1	DOWN DRAFT TABLE DIVIDER 36_350 X 14	
DDT51	1	DOWN DRAFT FILTER TABLE DIVIDER 36_350 X 14	
DDT54	1	DOWN DRAFT TABLE BLOWER VENT TUNNEL 5_250"L	
DDT76	1	DOWN DRAFT TABLE LIGHTING EXTENTION 36_500 X 6	
DDT53	4	DOWN DRAFT FILTER FRAME END CROSS 36_25 X 4_875	

**BOLT DDT58 TO END PANEL  
NOTE: BOLT ON BEFORE DDT50**

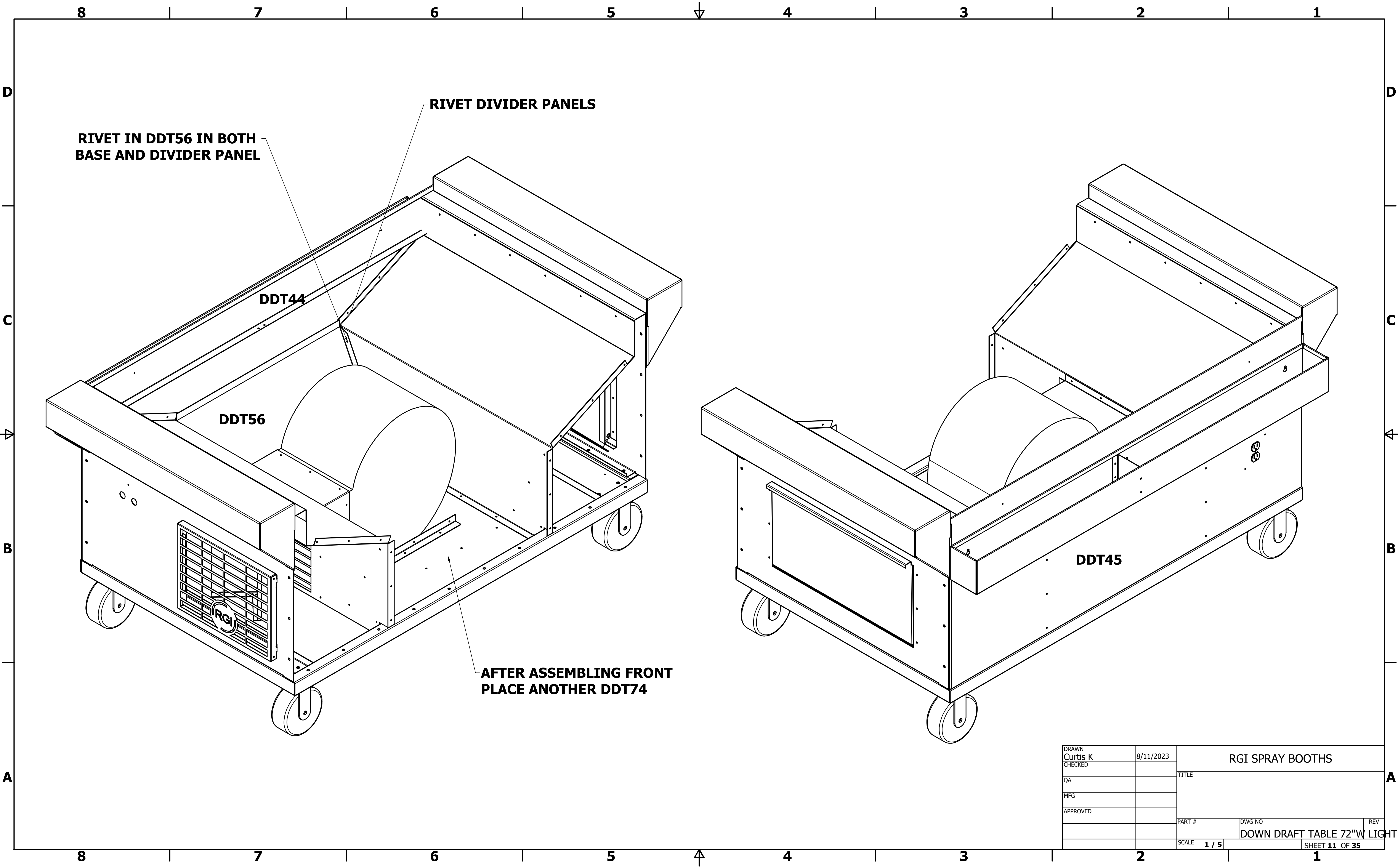


**DDT54  
RIVET TO BASE TAP SCREW TO BLOWER  
AND DDT51**

**DDT50  
RIVET TO BASE AND END PANEL**

DRAWN Curtis K	8/11/2023	RGI SPRAY BOOTHS	
CHECKED		TITLE <b>DOWN DRAFT TABLE ASSEMBLY 2</b>	
QA		PART #	DWG NO
MFG			REV
APPROVED		SCALE 1 / 4	
		SHEET 10 OF 35	

8 7 6 5 4 4 3 2 1



**RIVET IN DDT56 IN BOTH  
BASE AND DIVIDER PANEL**

**RIVET DIVIDER PANELS**

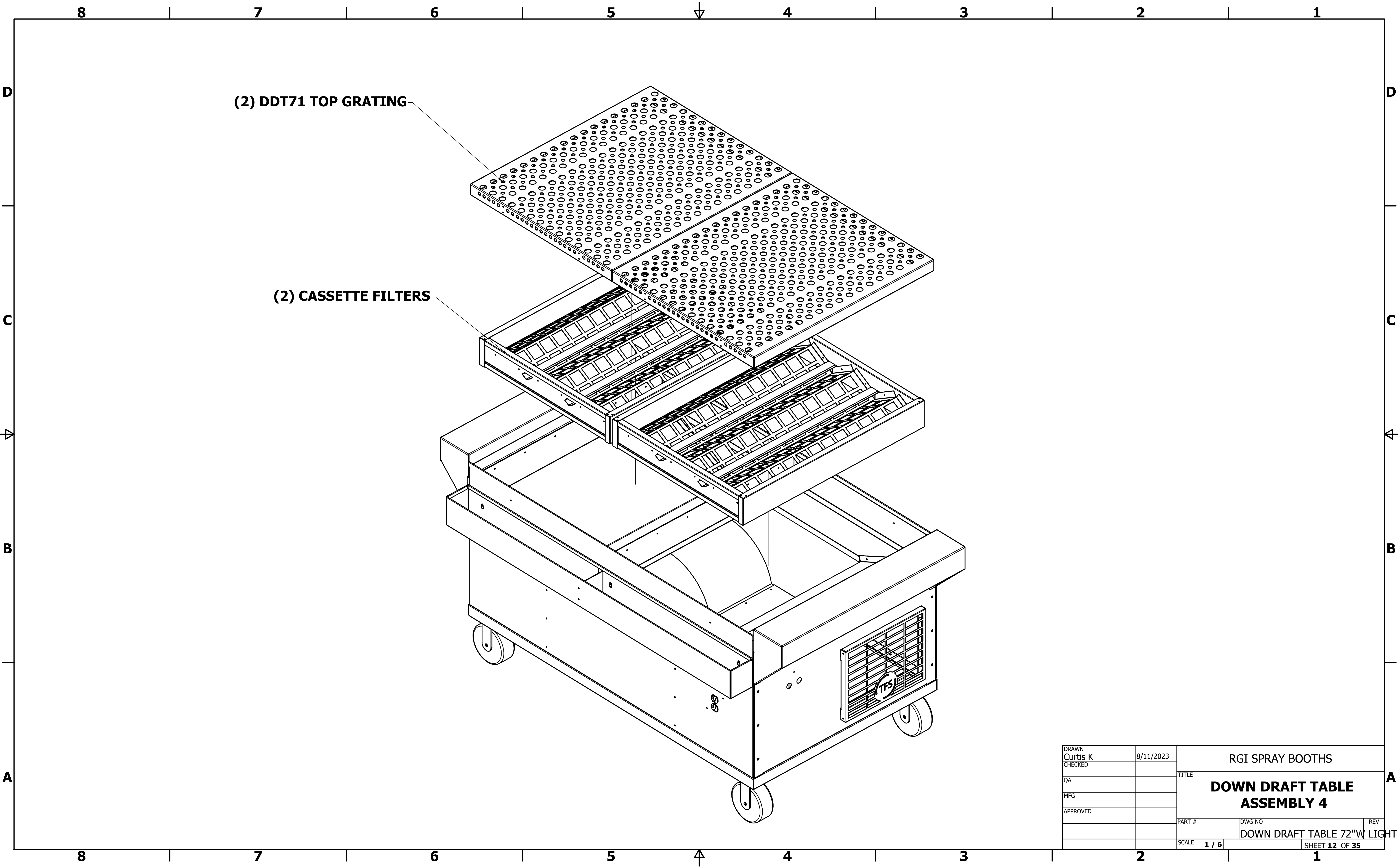
**DDT44**

**DDT56**

**AFTER ASSEMBLING FRONT  
PLACE ANOTHER DDT74**

**DDT45**

DRAWN Curtis K	8/11/2023	RGI SPRAY BOOTHS		
CHECKED		TITLE		
QA				
MFG				
APPROVED				
		PART #	DWG NO	REV
		DOWN DRAFT TABLE 72"W LIGHTEN		
		SCALE 1 / 5	SHEET 11 OF 35	

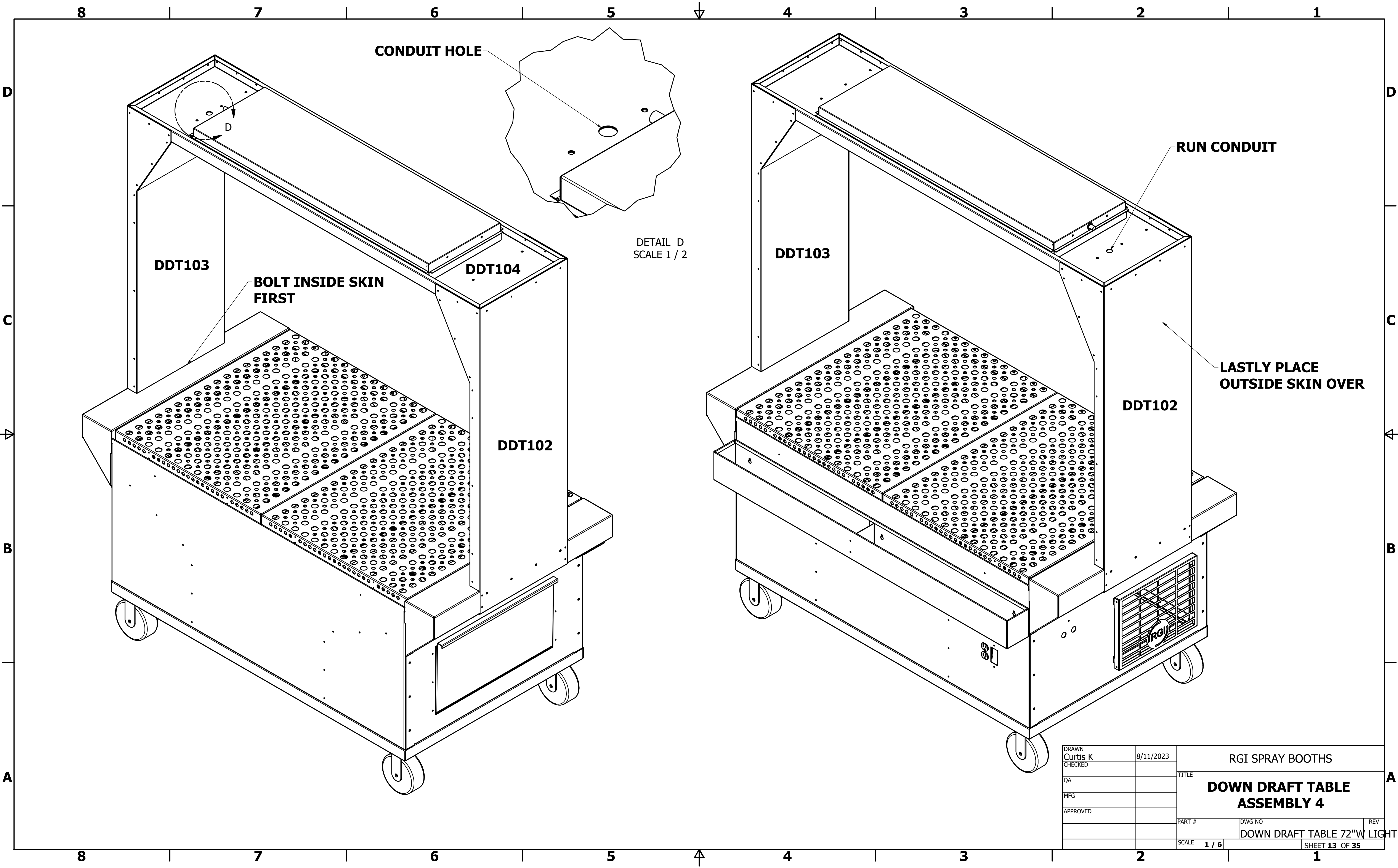


(2) DDT71 TOP GRATING

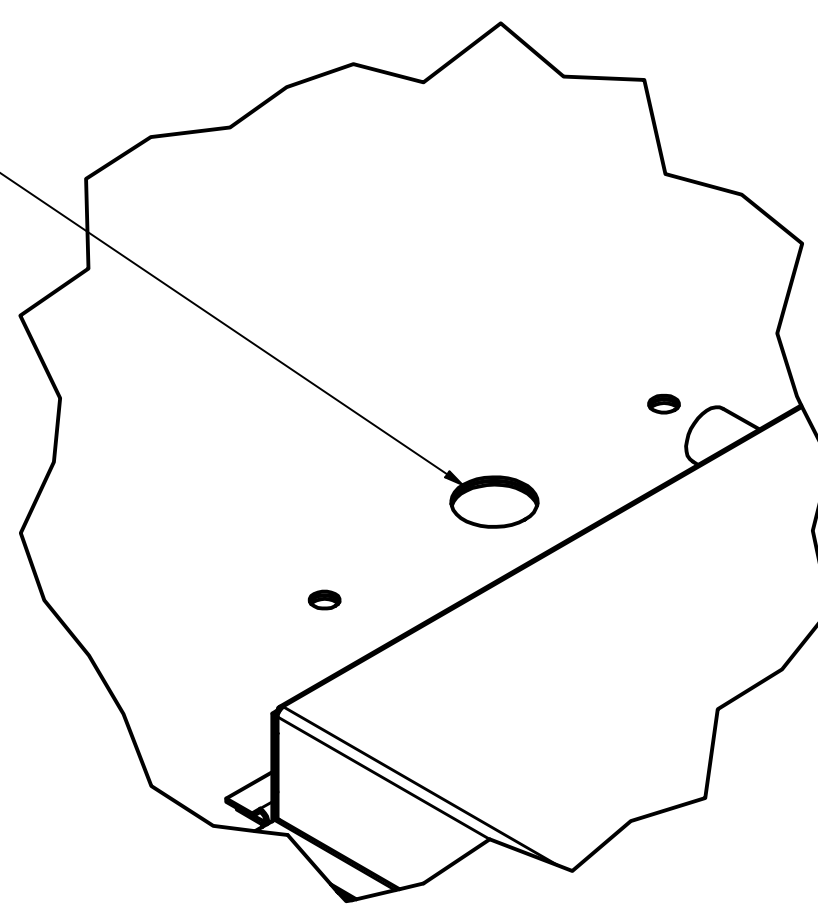
(2) CASSETTE FILTERS

DRAWN Curtis K	8/11/2023	RGI SPRAY BOOTHS	
CHECKED		TITLE	
QA		<b>DOWN DRAFT TABLE ASSEMBLY 4</b>	
MFG			
APPROVED		PART #	DWG NO
		DOWN DRAFT TABLE 72"W LIGHTER	
		SCALE 1 / 6	SHEET 12 OF 35





CONDUIT HOLE



DETAIL D  
SCALE 1 / 2

RUN CONDUIT

DDT103

DDT104

BOLT INSIDE SKIN  
FIRST

DDT102

DDT103

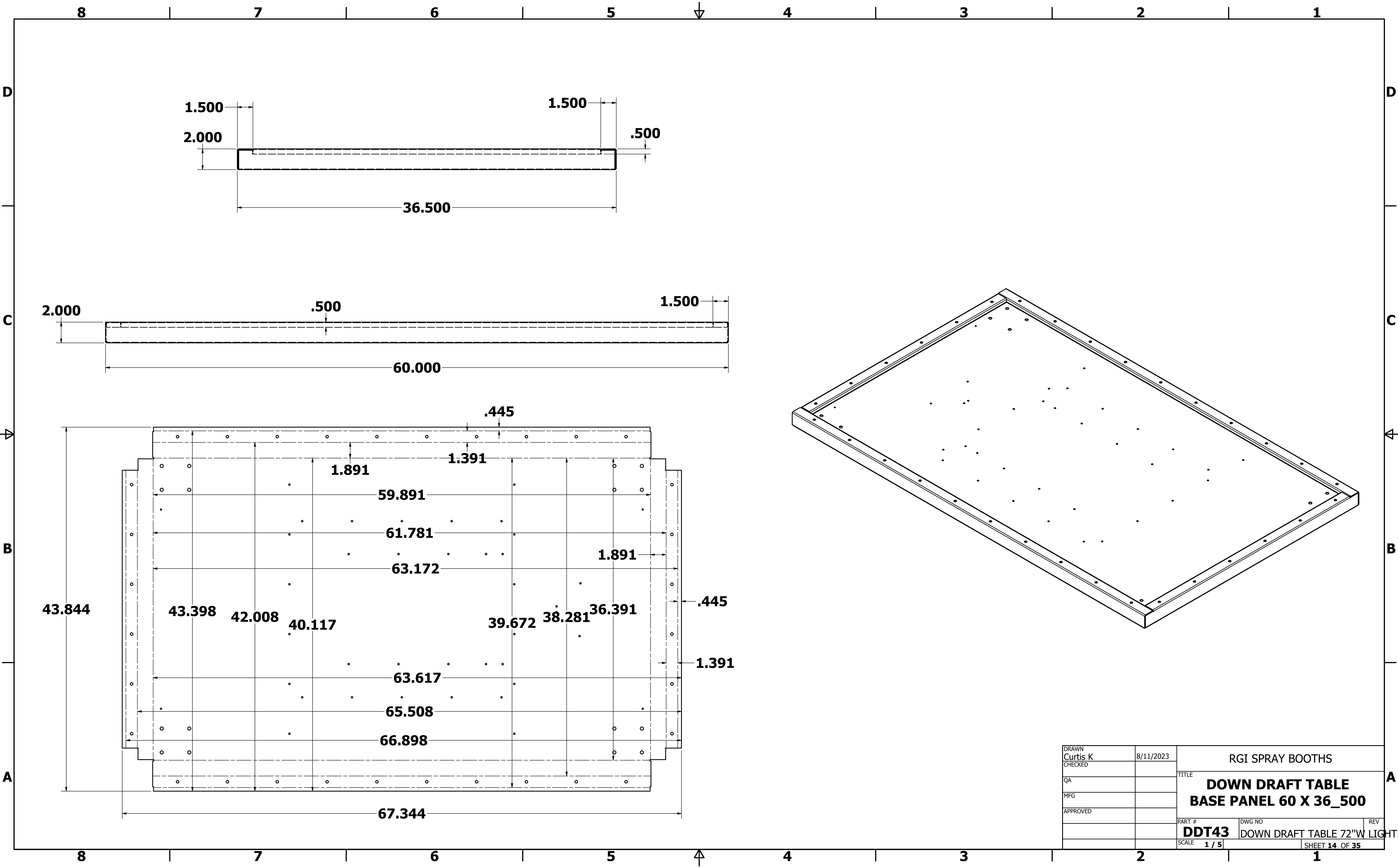
LASTLY PLACE  
OUTSIDE SKIN OVER

DDT102

DRAWN Curtis K	8/11/2023	RGI SPRAY BOOTHS	
CHECKED		TITLE	
QA		<b>DOWN DRAFT TABLE ASSEMBLY 4</b>	
MFG		PART #	DWG NO
APPROVED			REV
		SCALE 1 / 6	SHEET 13 OF 35

DOWN DRAFT TABLE 72"W LIGHTER





8 7 6 5 4 3 2 1

D D

C C

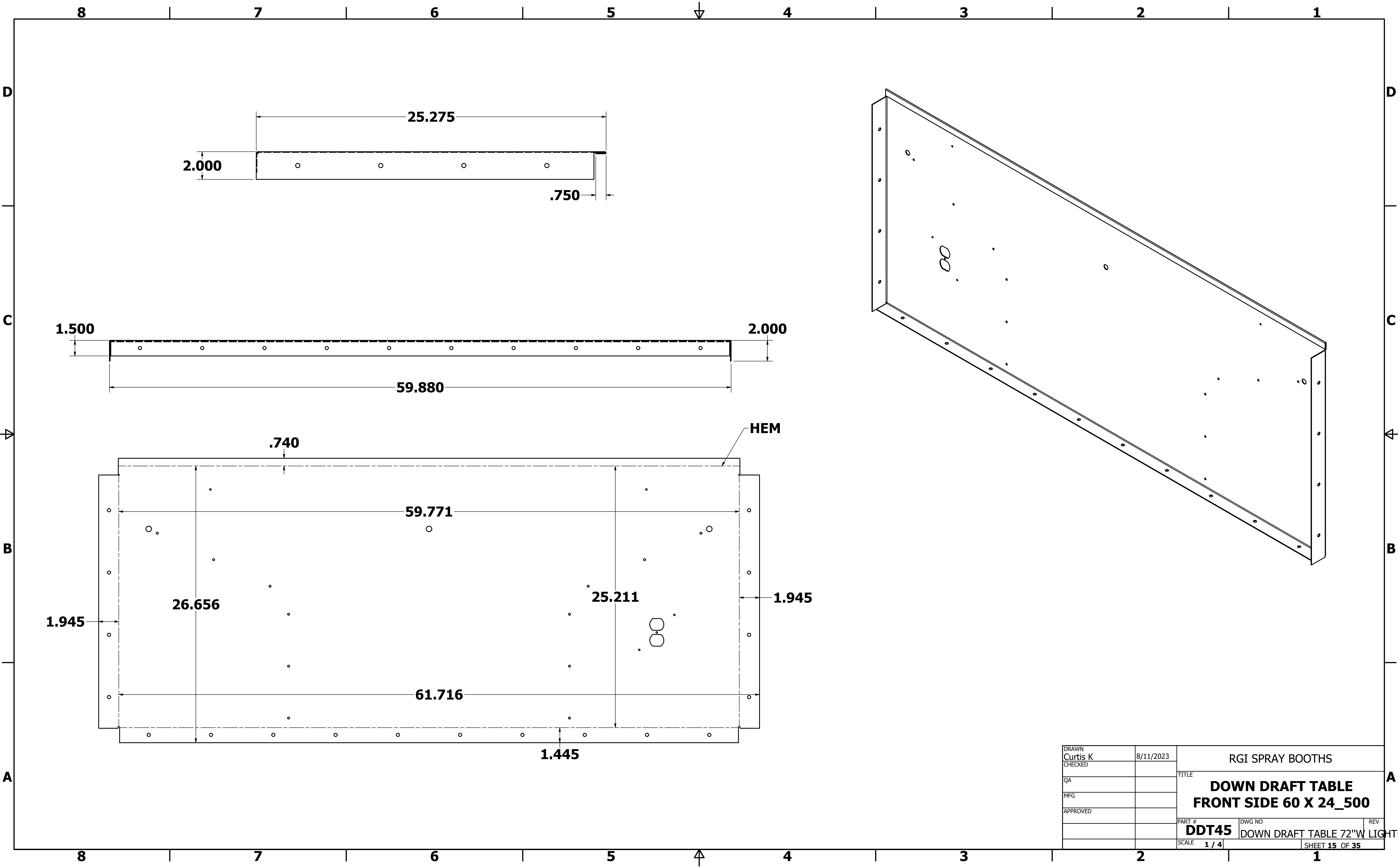
B B

A A

8 7 6 5 4 3 2 1

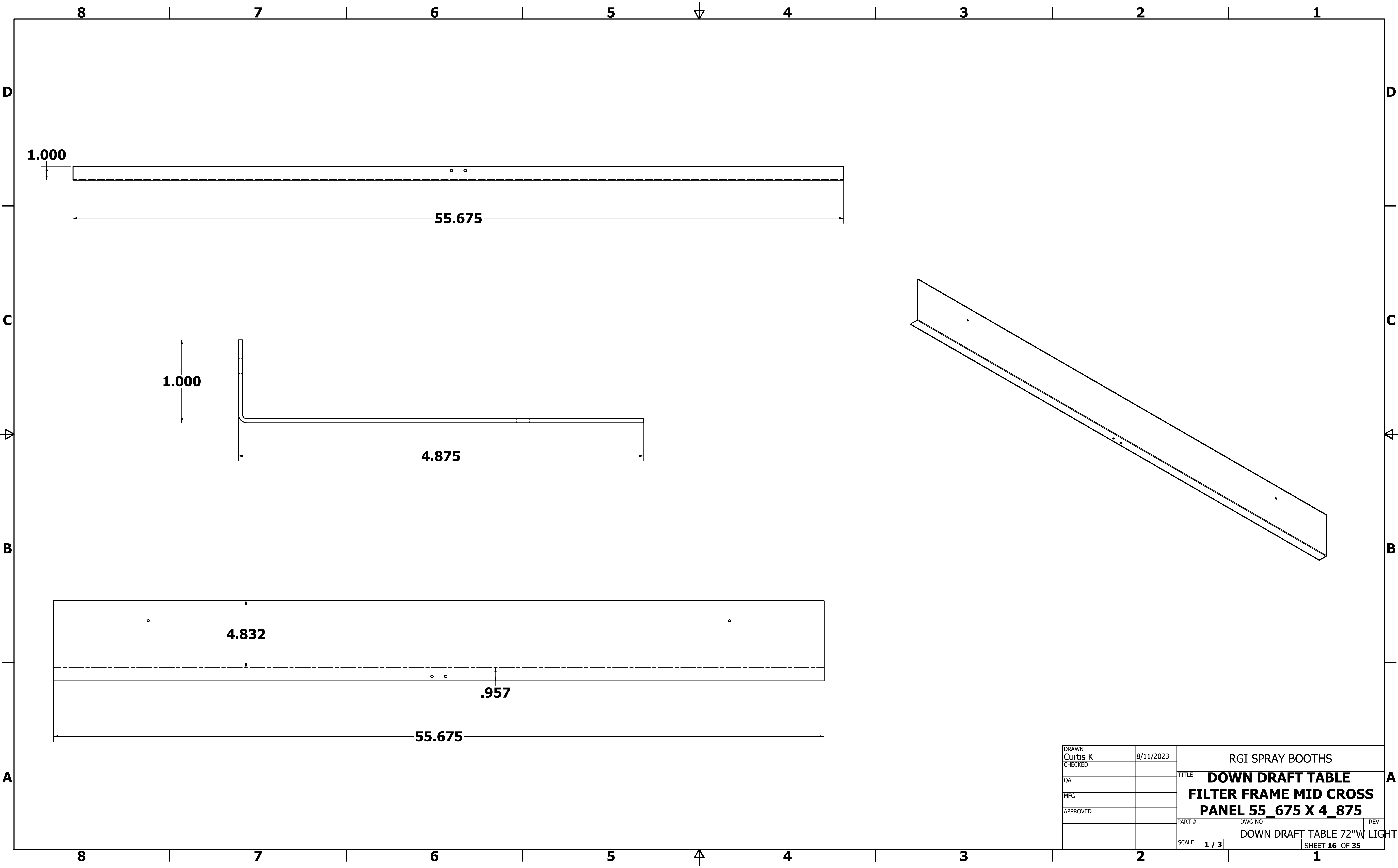
#3728 - 121 X 48 - 16G GALVANIZED STEEL

DRAWN Curtis K	8/11/2023	RGI SPRAY BOOTHS	
CHECKED		TITLE <b>DOWN DRAFT TABLE BASE PANEL 60 X 36_500</b>	
QA		PART #	DWG NO
MFG		<b>DDT43</b>	DOWN DRAFT TABLE 72"W LIGHT
APPROVED		SCALE	REV
		<b>1 / 5</b>	SHEET 14 OF 35



#3746 - 121 X 48 - 16G GALVANIZED STEEL

DRAWN Curtis K	8/11/2023	RGI SPRAY BOOTHS	
CHECKED		TITLE	
QA		<b>DOWN DRAFT TABLE FRONT SIDE 60 X 24_500</b>	
MFG		PART #	DWG NO
APPROVED		<b>DDT45</b>	DOWN DRAFT TABLE 72"W LIGHTER
		SCALE	REV
		1 / 4	
		SHEET 15 OF 35	



1.000

55.675

1.000

4.875

4.832

.957

55.675

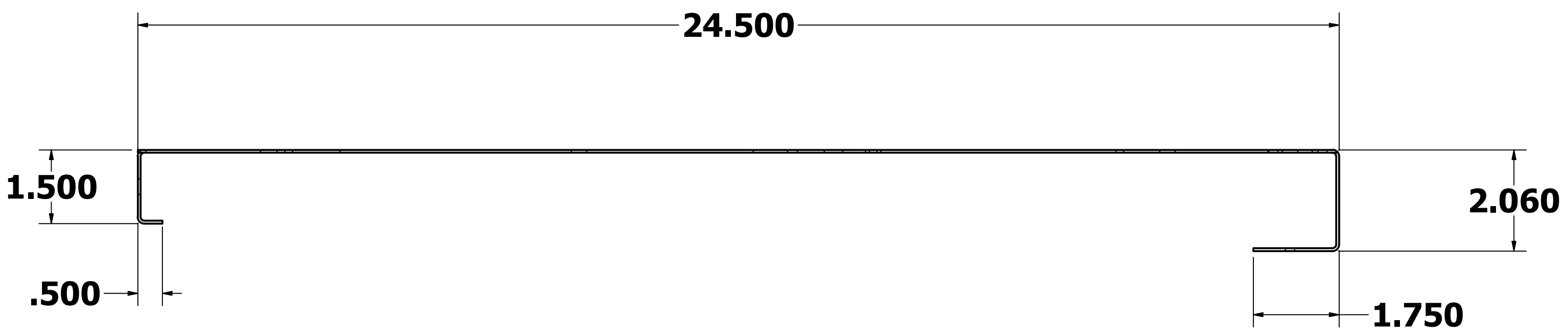
DRAWN Curtis K	8/11/2023	RGI SPRAY BOOTHS	
CHECKED		TITLE <b>DOWN DRAFT TABLE FILTER FRAME MID CROSS PANEL 55_675 X 4_875</b>	
QA		PART #	DWG NO
MFG		DOWN DRAFT TABLE 72"W LIGHTER	
APPROVED		SCALE <b>1 / 3</b>	REV
		SHEET <b>16</b> OF <b>35</b>	

#3747 - 144 X 48 - 18G GALVANIZED STEEL

8 7 6 5 4 3 2 1

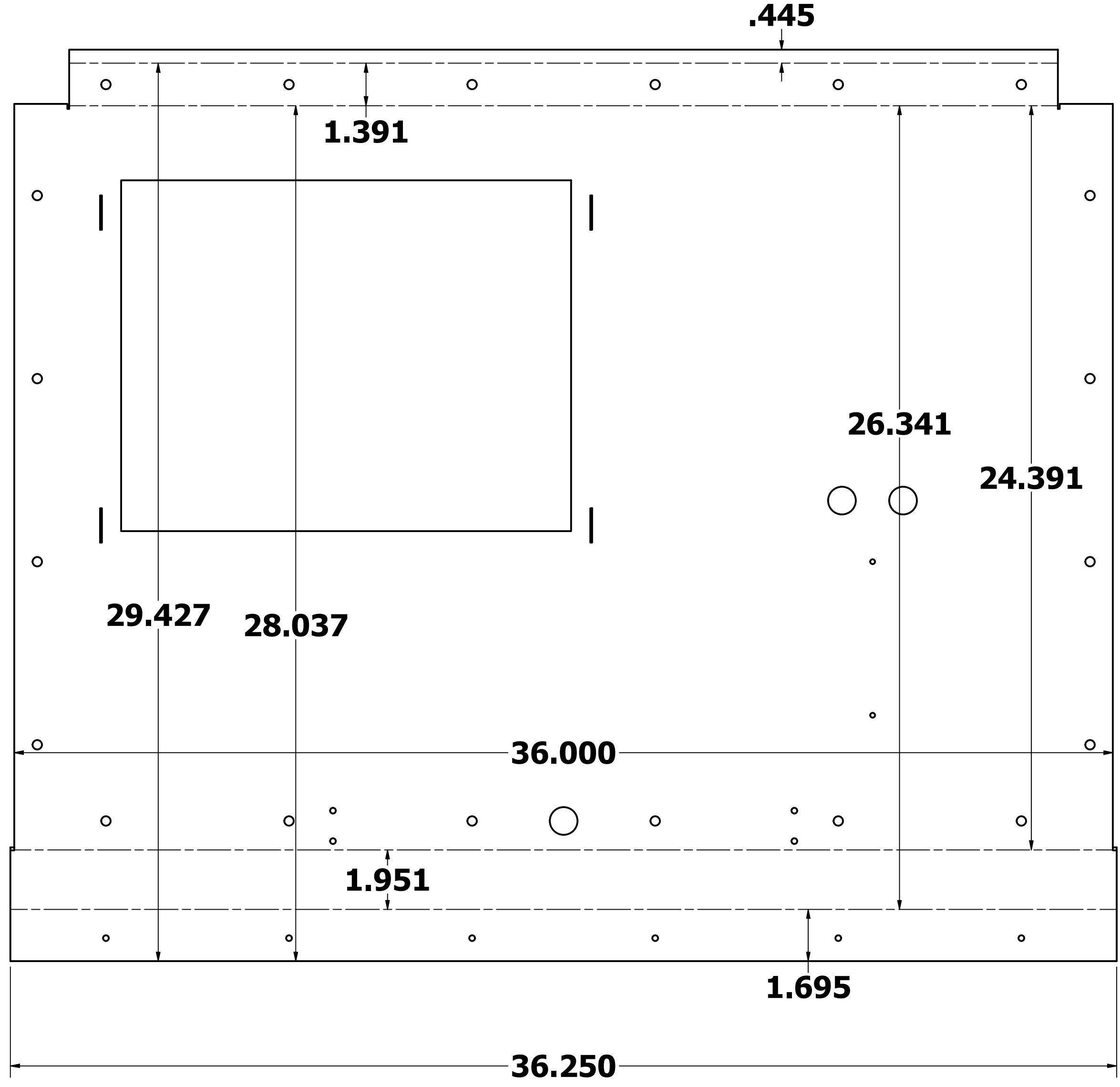
D

D



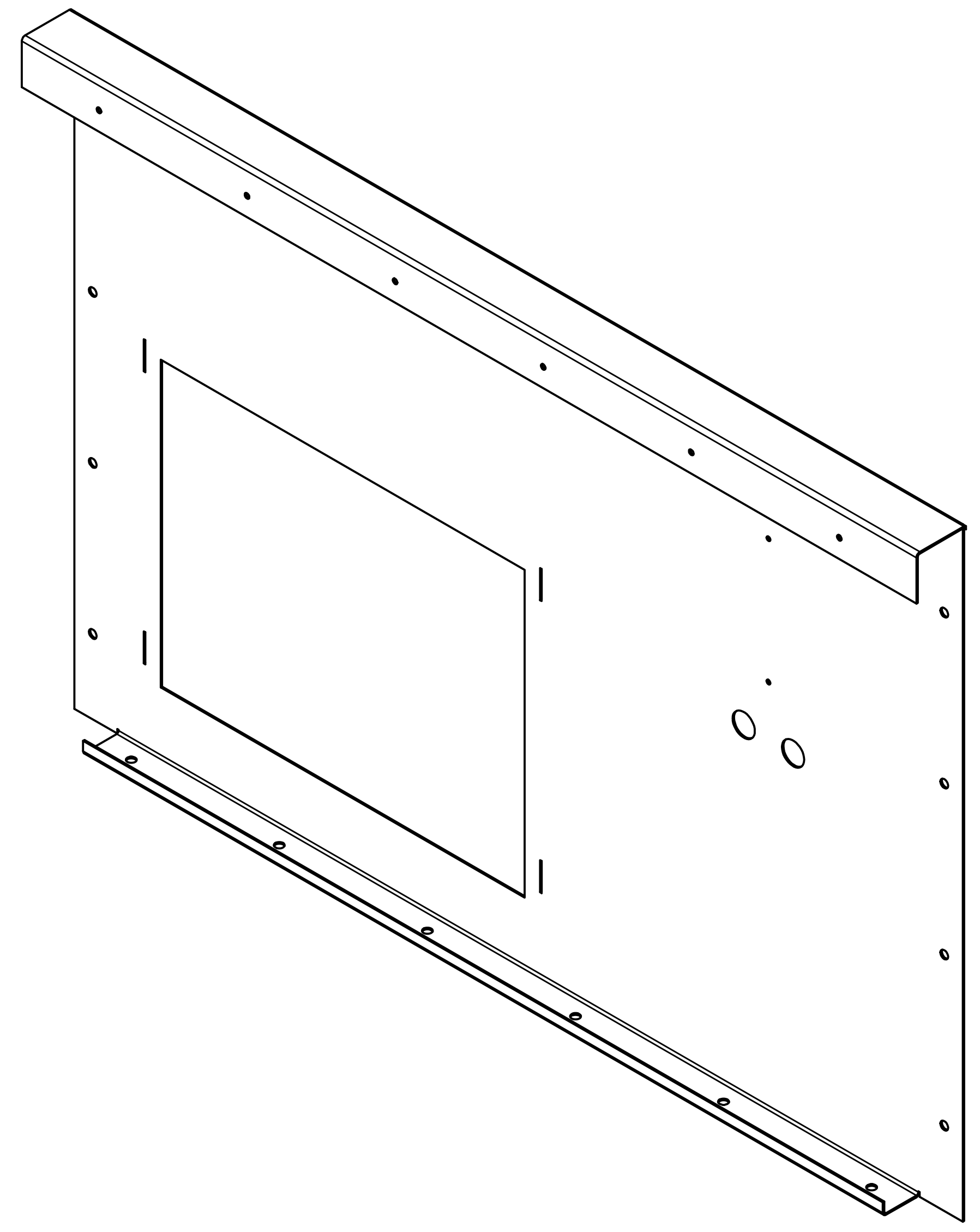
C

C



B

B



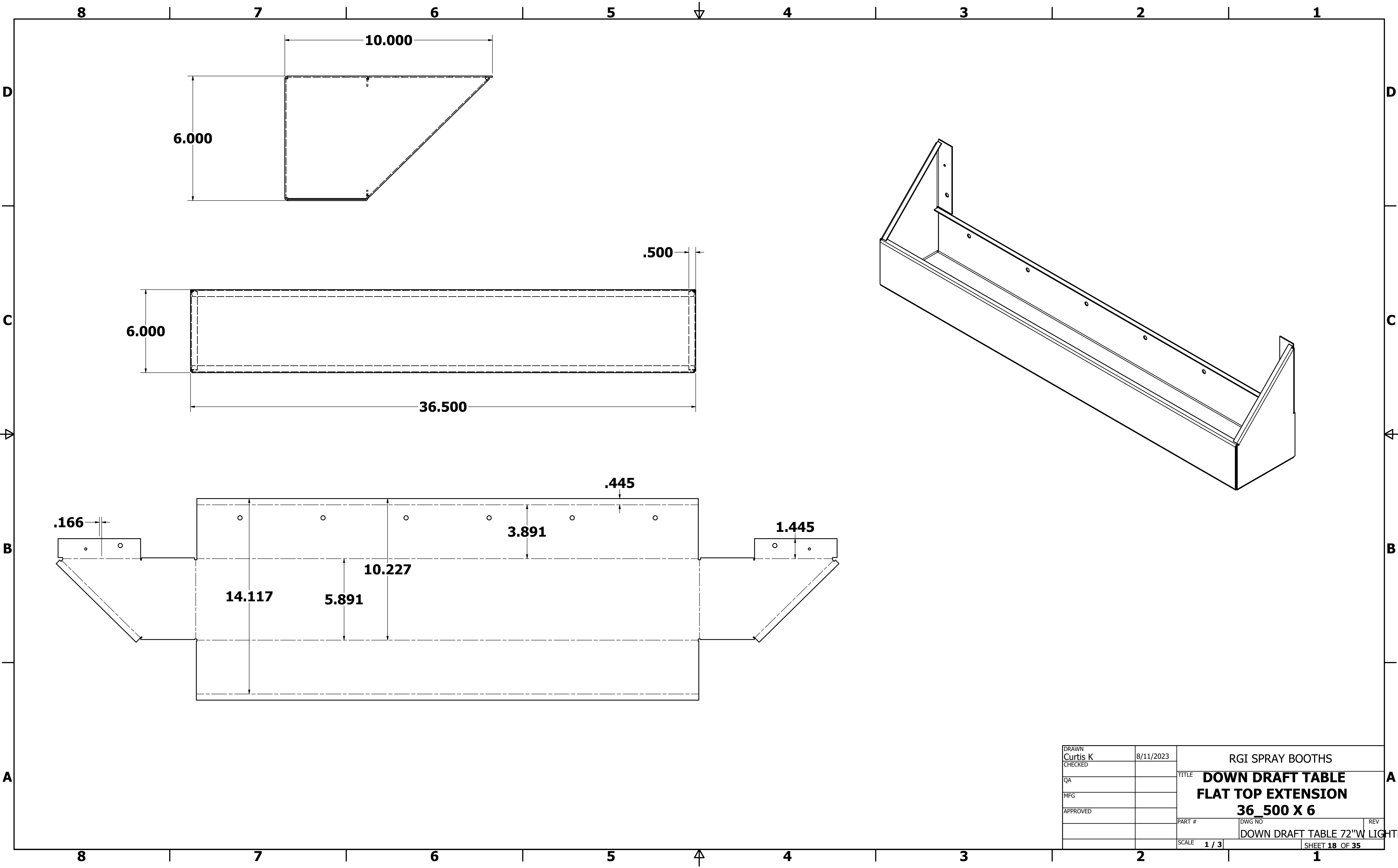
A

A

DRAWN Curtis K	8/11/2023	RGI SPRAY BOOTHS	
CHECKED		TITLE <b>DRAFT TABLE FILTER END PANEL 36_500 X 25_500</b>	
QA		PART #	DWG NO
MFG		<b>DDT27</b>	DOWN DRAFT TABLE 72"W LIGHTER
APPROVED		SCALE	REV
		1 / 3	SHEET 17 OF 35

8 7 6 5 4 3 2 1

#3728 - 121X 48 - 16G GALVANIZED STEEL



8 7 6 5 4 3 2 1

D D

C C

B B

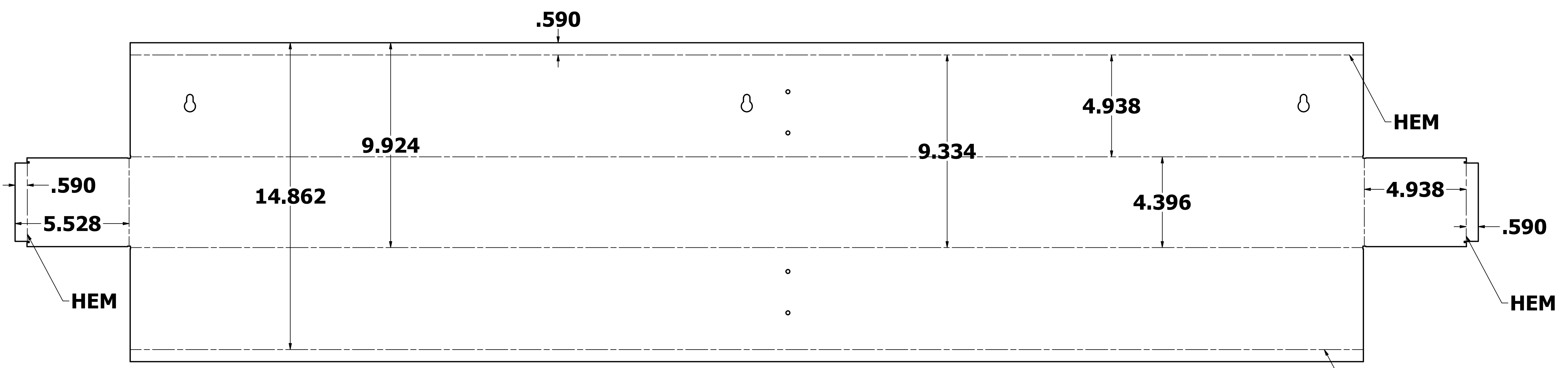
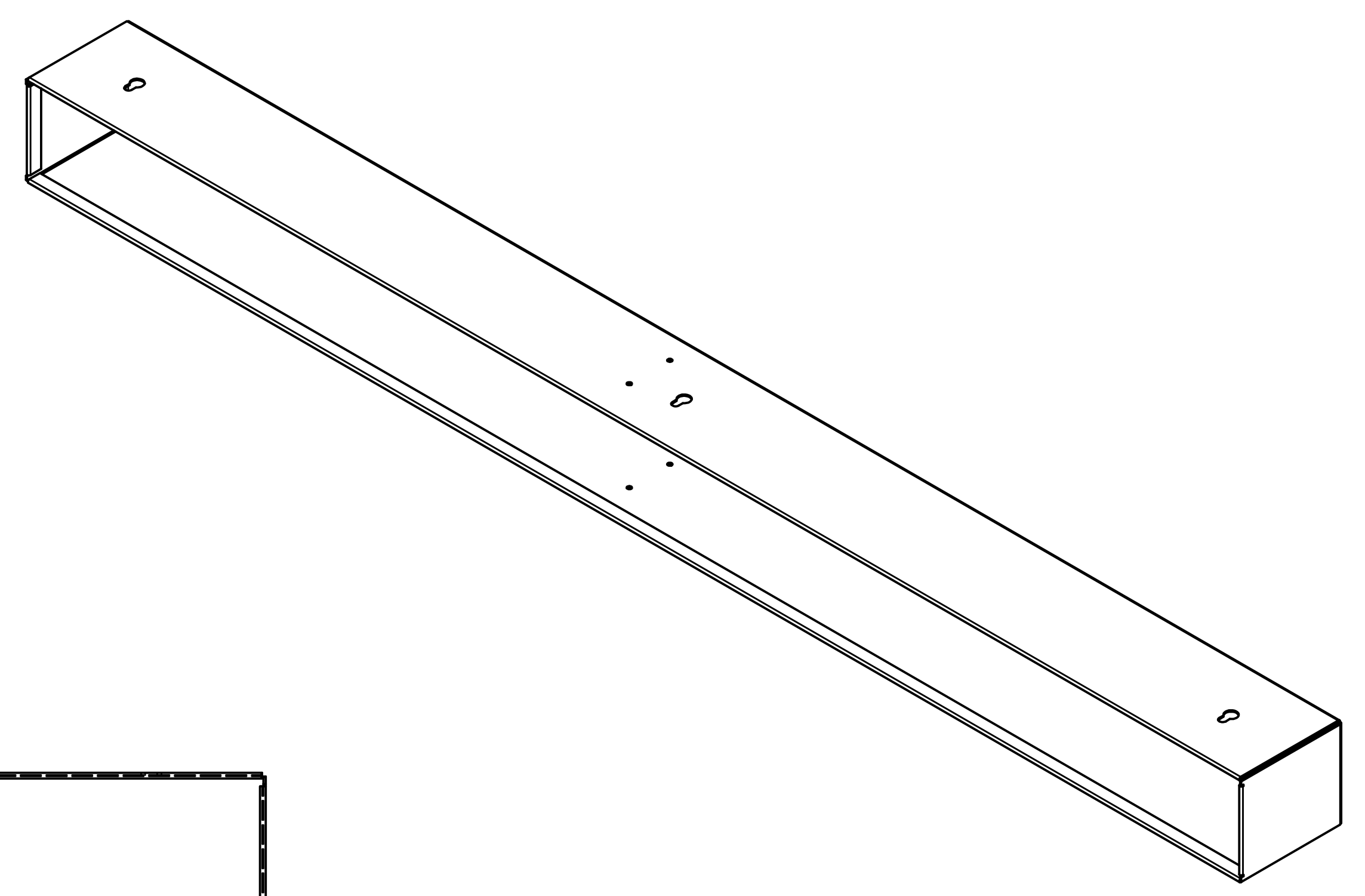
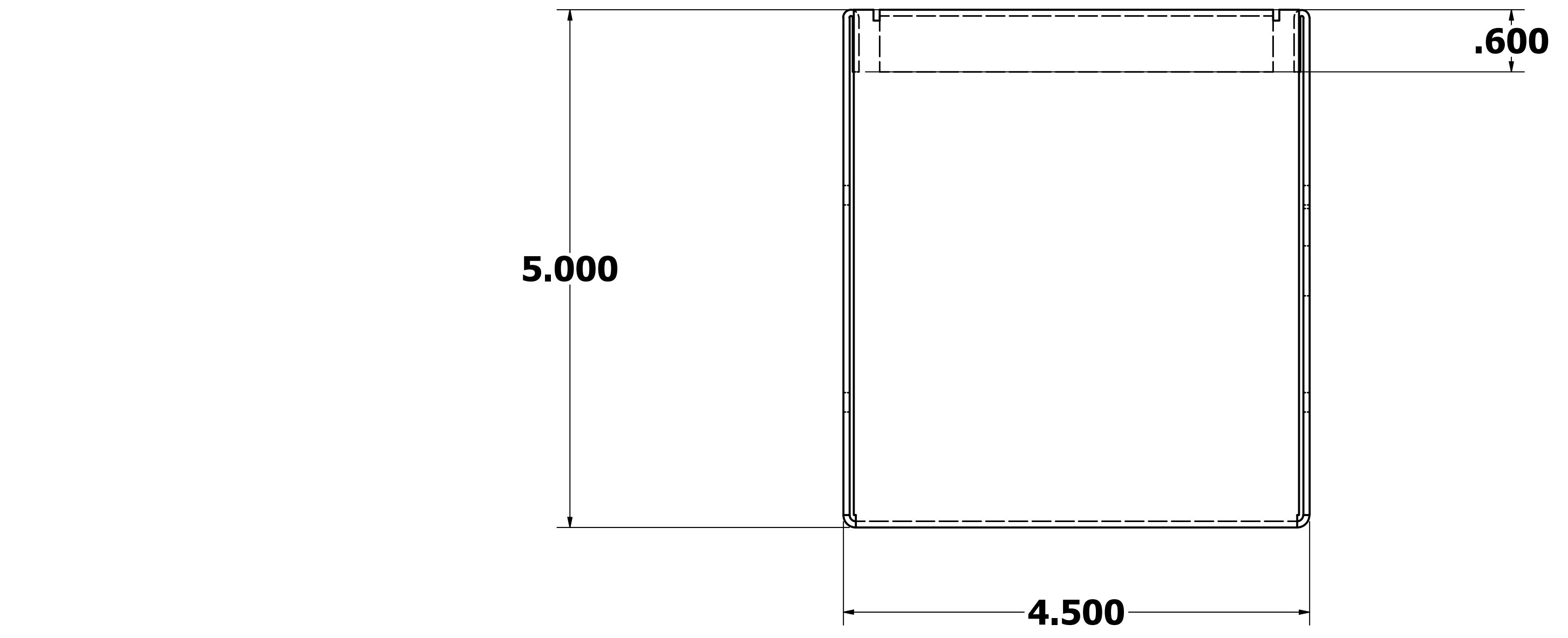
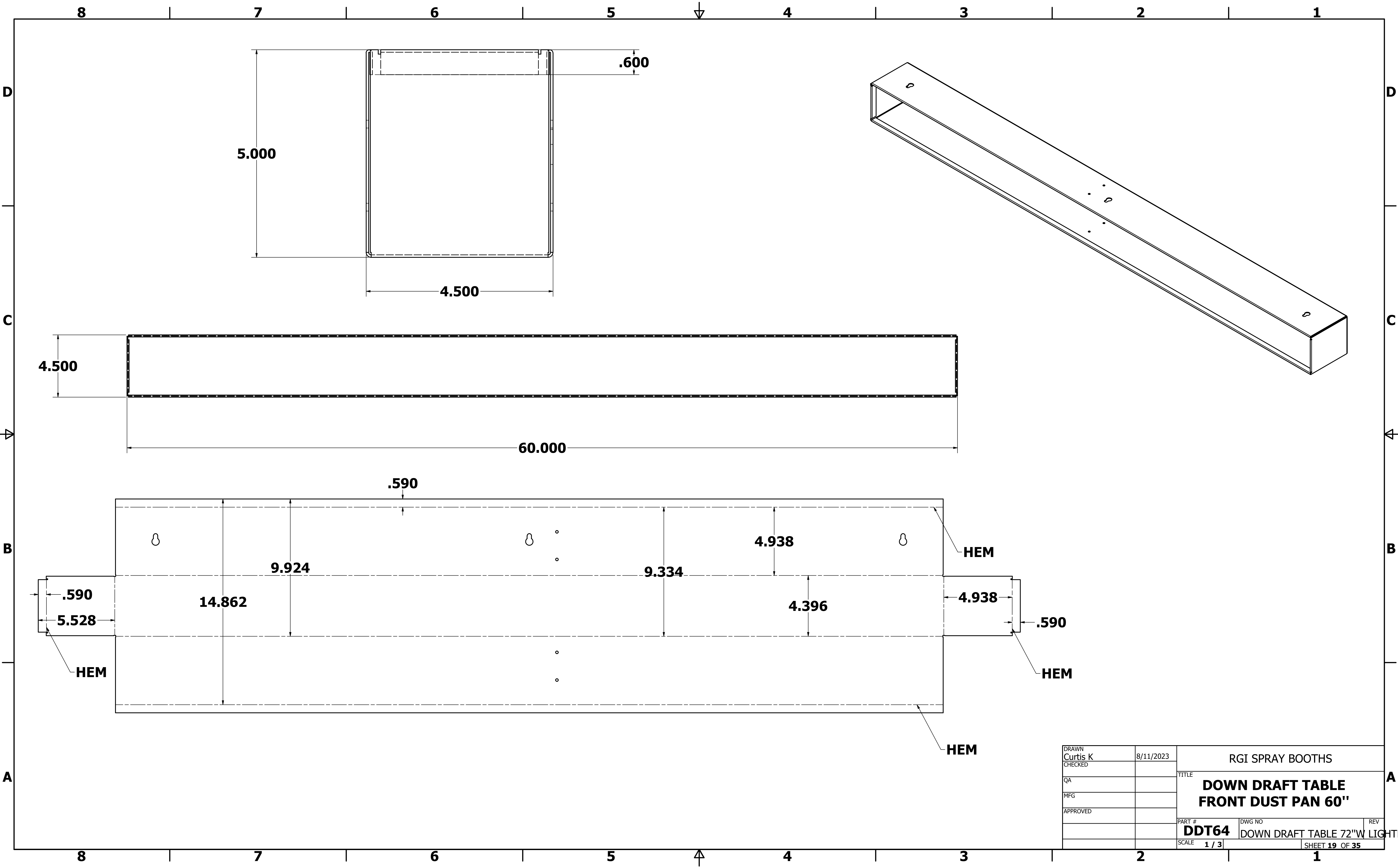
A A

8 7 6 5 4 3 2 1

#3752 - 121 X 48 - 16G GALVANIZED STEEL

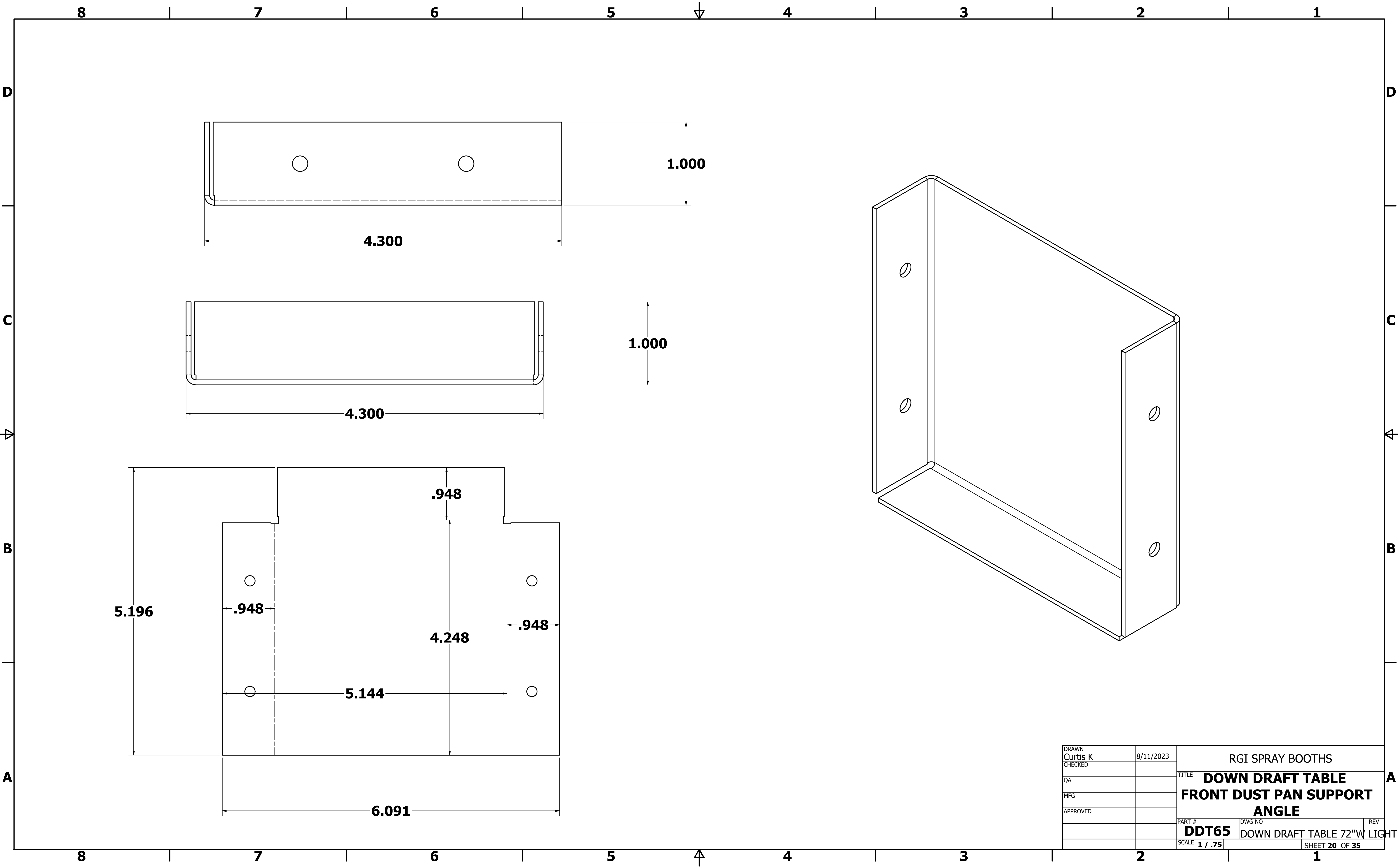
DRAWN Curtis K	8/11/2023	RGI SPRAY BOOTHS	
CHECKED		TITLE <b>DOWN DRAFT TABLE FLAT TOP EXTENSION 36_500 X 6</b>	
QA		PART #	DWG NO
MFG			REV
APPROVED		DOWN DRAFT TABLE 72"W LIGHTER	
		SCALE 1 / 3	SHEET 18 OF 35





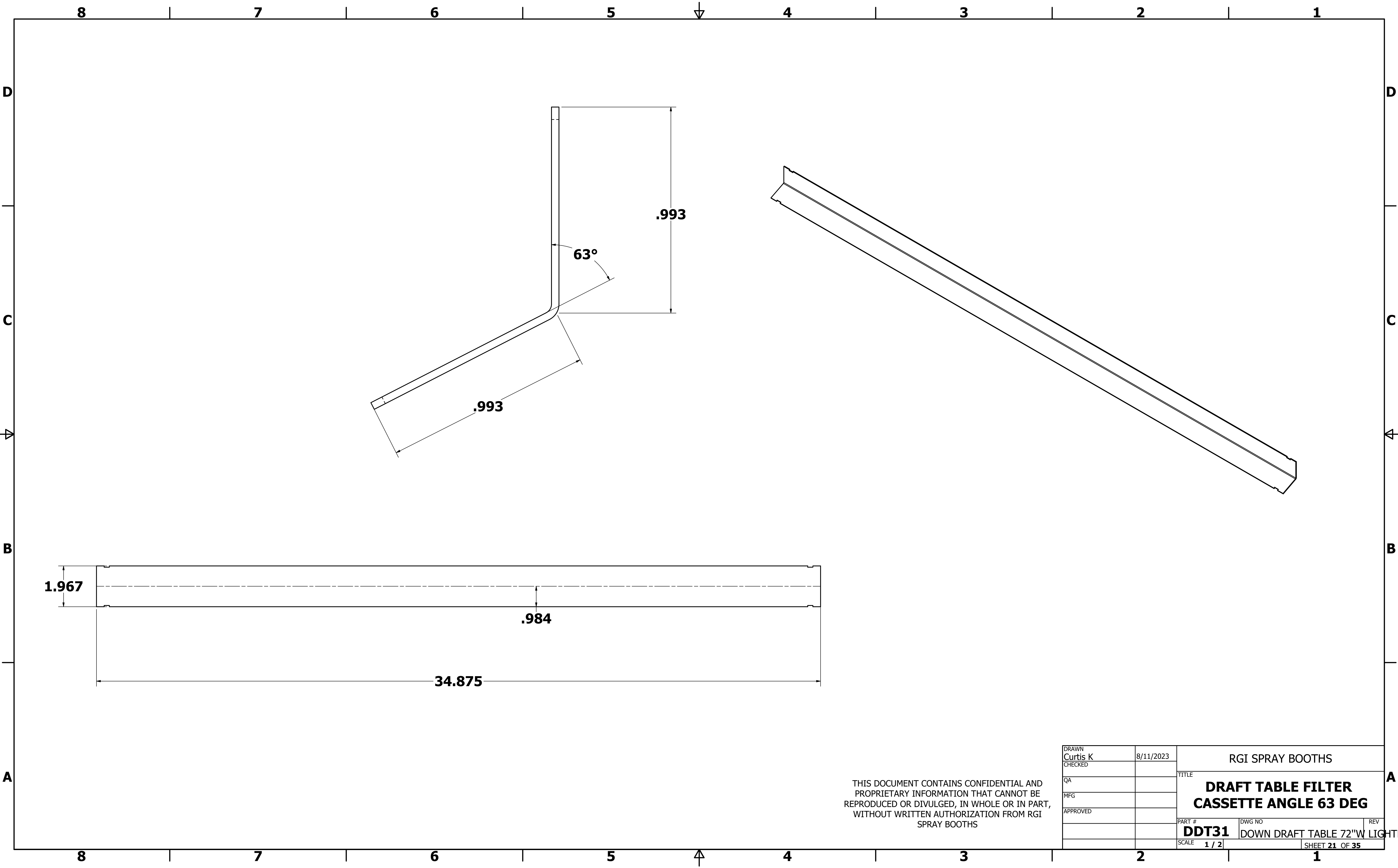
DRAWN Curtis K	8/11/2023	RGI SPRAY BOOTHS	
CHECKED		TITLE <b>DOWN DRAFT TABLE FRONT DUST PAN 60"</b>	
QA		PART #	REV
MFG		<b>DDT64</b>	
APPROVED		DWG NO	
		DOWN DRAFT TABLE 72"W LIGHTER	
		SCALE	SHEET 19 OF 35
		<b>1 / 3</b>	

#3746 - 121 X 48 - 16G GALVANIZED STEEL



DRAWN Curtis K	8/11/2023	RGI SPRAY BOOTHS	
CHECKED		TITLE <b>DOWN DRAFT TABLE FRONT DUST PAN SUPPORT ANGLE</b>	
QA		PART #	REV
MFG		<b>DDT65</b>	
APPROVED		DWG NO	DOWN DRAFT TABLE 72"W LIGHT
		SCALE <b>1 / .75</b>	SHEET <b>20</b> OF <b>35</b>

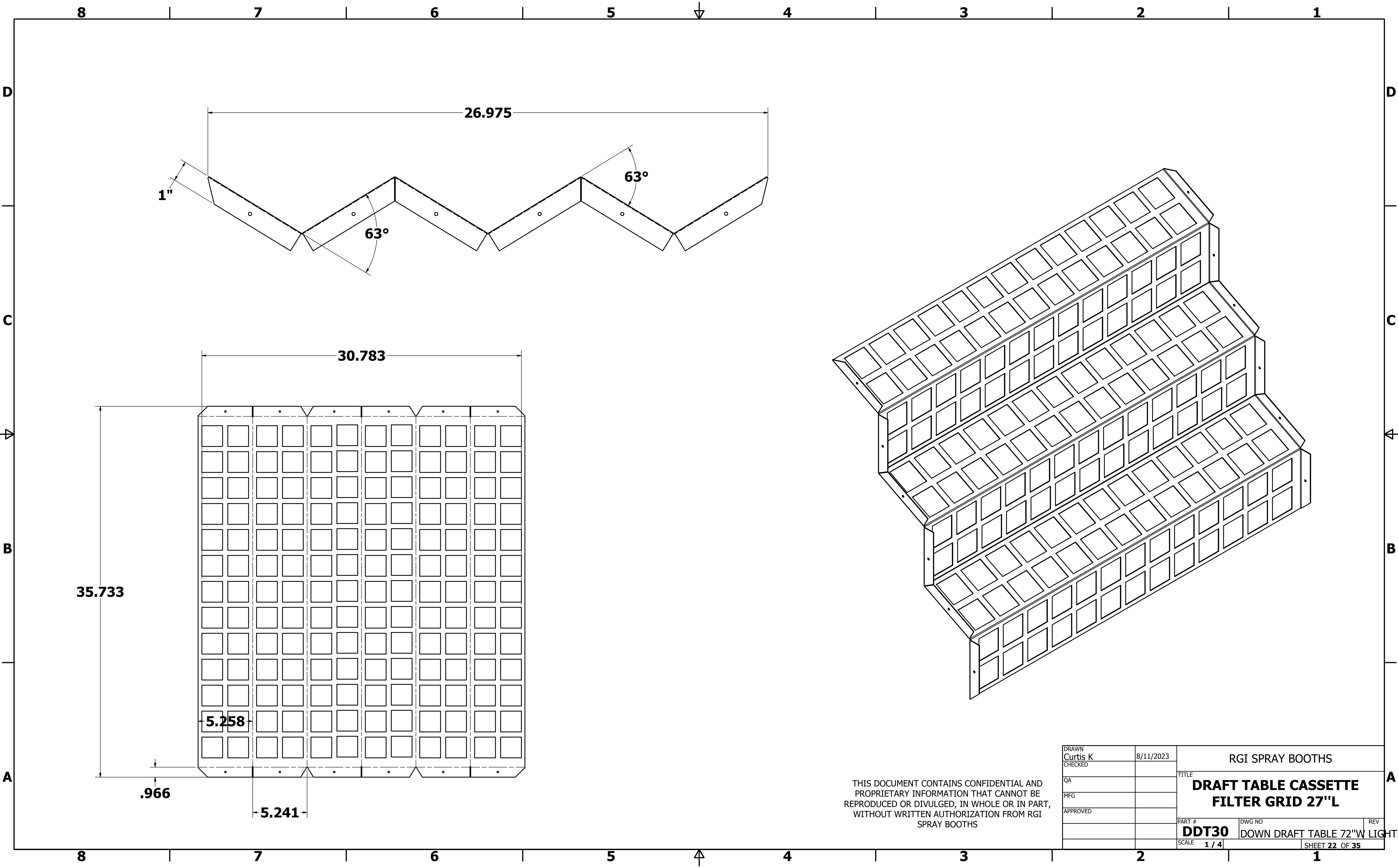
#3746 - 121 X 48 - 16G GALVANIZED STEEL



#3745 - 85 X 48 - 20G GALVANIZED STEEL

THIS DOCUMENT CONTAINS CONFIDENTIAL AND PROPRIETARY INFORMATION THAT CANNOT BE REPRODUCED OR DIVULGED, IN WHOLE OR IN PART, WITHOUT WRITTEN AUTHORIZATION FROM RGI SPRAY BOOTHS

DRAWN Curtis K	8/11/2023	RGI SPRAY BOOTHS	
CHECKED		TITLE	
QA		<b>DRAFT TABLE FILTER CASSETTE ANGLE 63 DEG</b>	
MFG		PART #	DWG NO
APPROVED		<b>DDT31</b>	DOWN DRAFT TABLE 72"W LIGHTER
		SCALE 1 / 2	SHEET 21 OF 35



8 7 6 5 4 3 2 1

D D

C C

B B

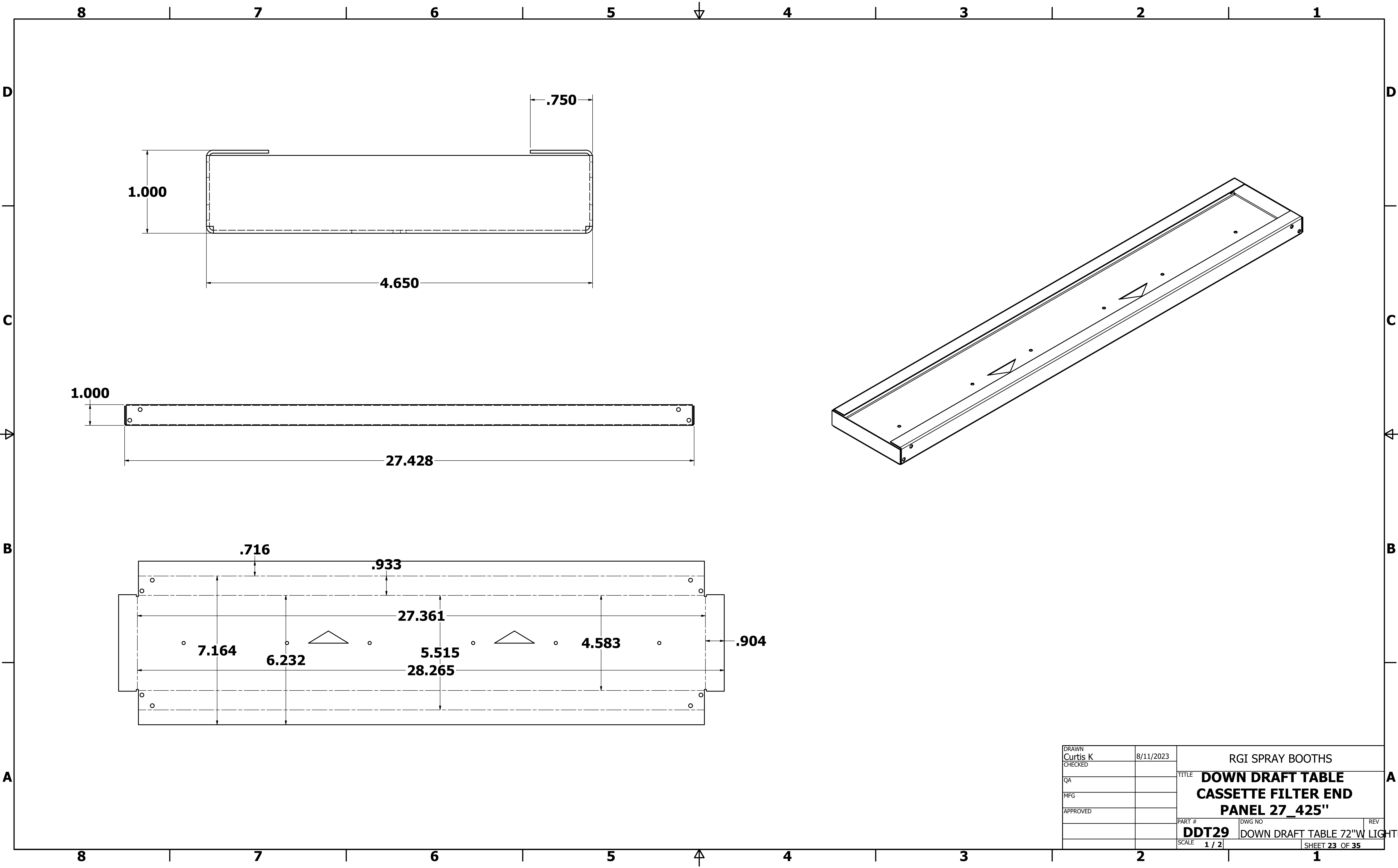
A A

8 7 6 5 4 3 2 1

THIS DOCUMENT CONTAINS CONFIDENTIAL AND PROPRIETARY INFORMATION THAT CANNOT BE REPRODUCED OR DIVULGED, IN WHOLE OR IN PART, WITHOUT WRITTEN AUTHORIZATION FROM RGI SPRAY BOOTHS

DRAWN Curtis K	8/11/2023	RGI SPRAY BOOTHS	
CHECKED		TITLE <b>DRAFT TABLE CASSETTE FILTER GRID 27" L</b>	
QA		PART #	DWG NO
MFG		<b>DDT30</b>	DOWN DRAFT TABLE 72"W LIGHT
APPROVED		SCALE	REV
		1 / 4	SHEET 22 OF 35

#3745 - 85 X 48 - 20G GALVANIZED STEEL



1.000

1.000

.750

4.650

27.428

.716

.933

27.361

7.164

6.232

5.515

28.265

4.583

.904

DRAWN Curtis K	8/11/2023	RGI SPRAY BOOTHS	
CHECKED		TITLE <b>DOWN DRAFT TABLE CASSETTE FILTER END PANEL 27_425"</b>	
QA		PART #	REV
MFG		<b>DDT29</b>	
APPROVED		DWG NO	
		SCALE <b>1 / 2</b>	SHEET <b>23</b> OF <b>35</b>

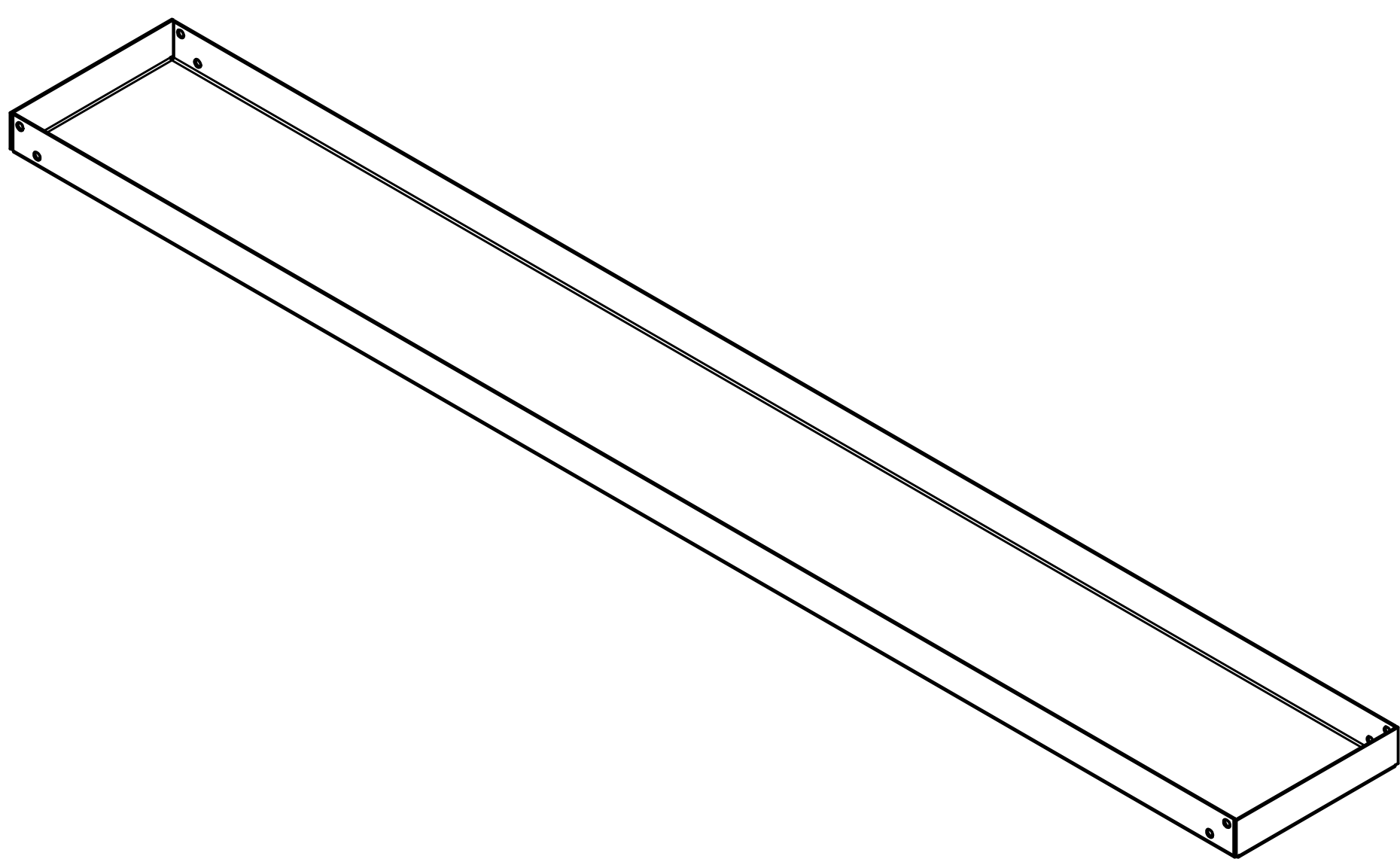
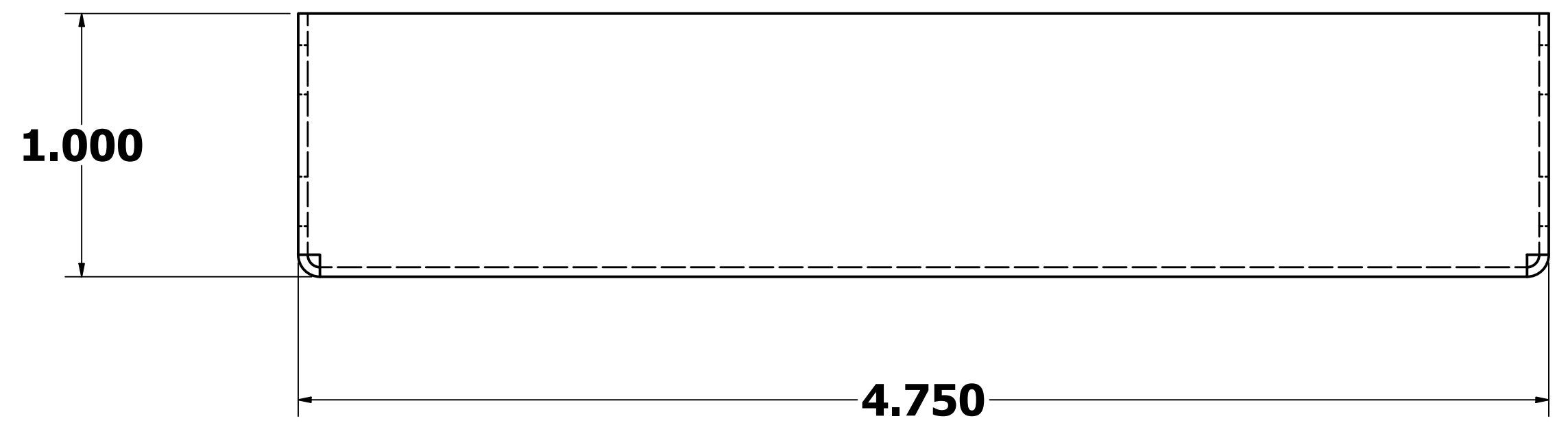
#3745 - 85 X 48 - 20G GALVANIZED STEEL



8 7 6 5 4 3 2 1

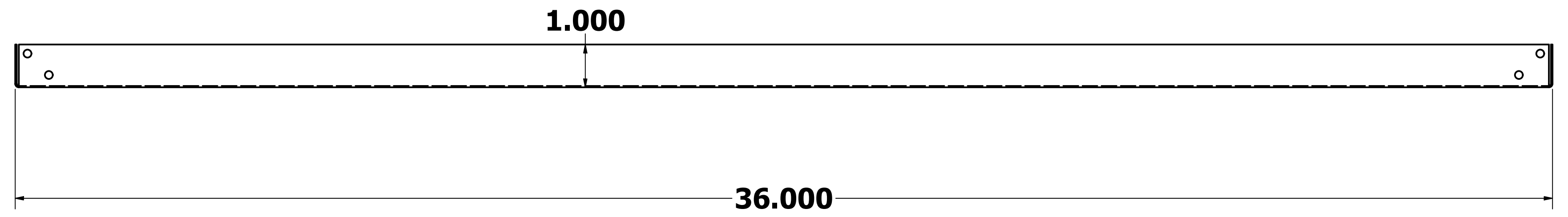
D

D



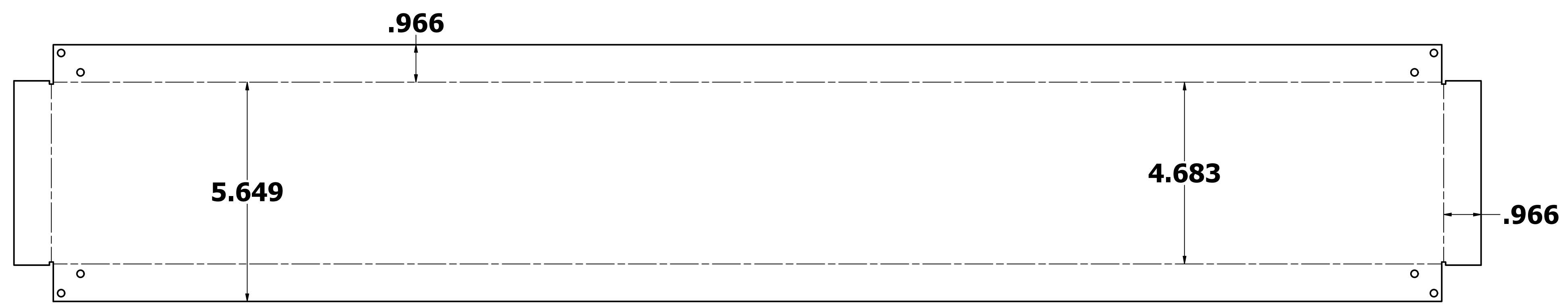
C

C



B

B



A

A

DRAWN Curtis K	8/11/2023	RGI SPRAY BOOTHS	
CHECKED		TITLE	
QA		<b>DRAFT TABLE CASSETTE</b>	
MFG		<b>TOP 36 X 4_750</b>	
APPROVED		PART #	REV
		<b>DDT28</b>	
		DWG NO	DOWN DRAFT TABLE 72"W LIGHTER
		SCALE	SHEET 24 OF 35
		<b>1 / 2</b>	

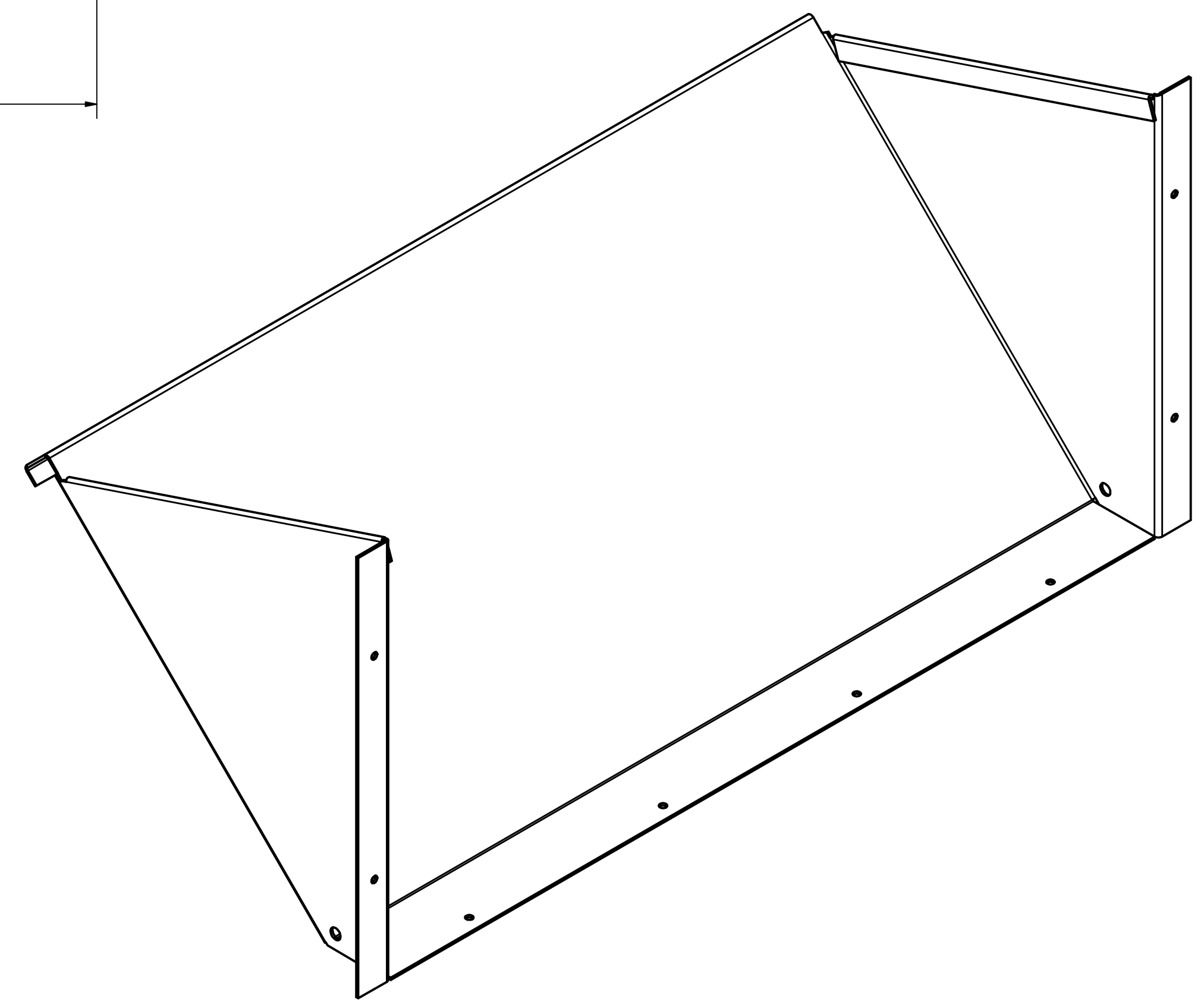
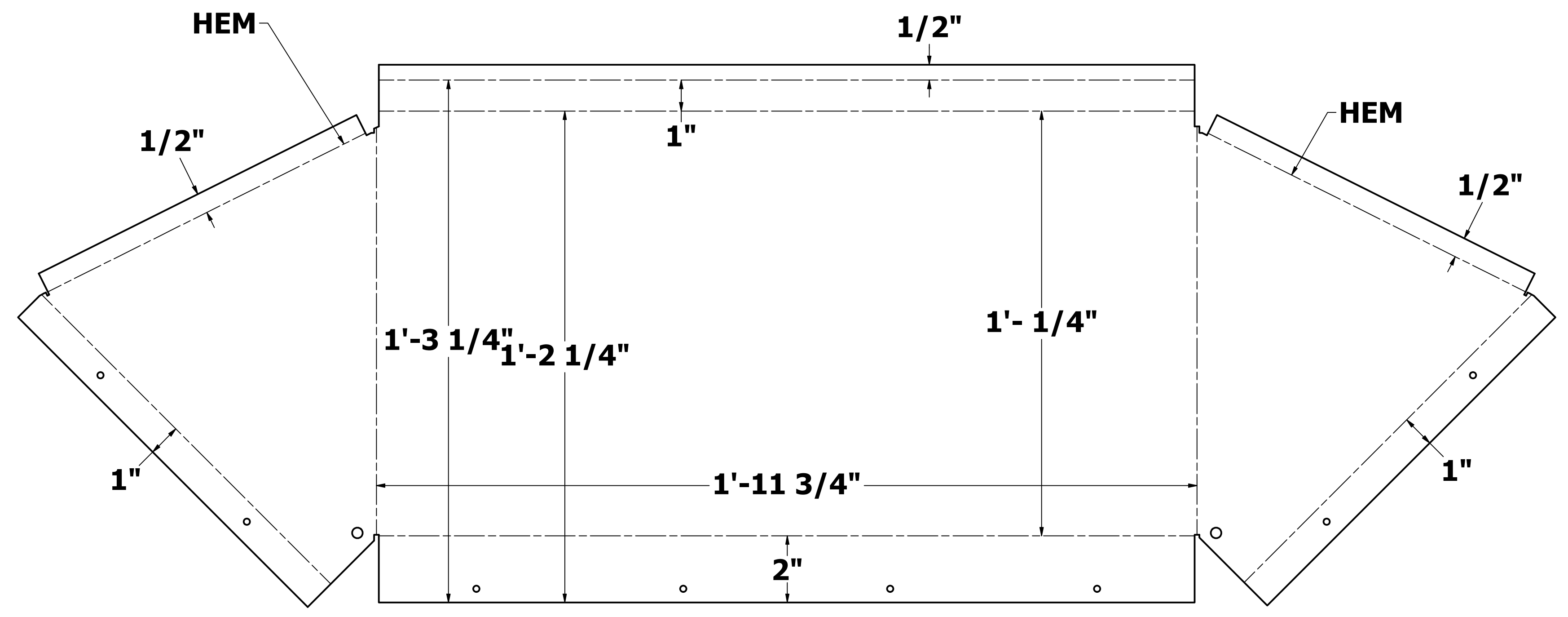
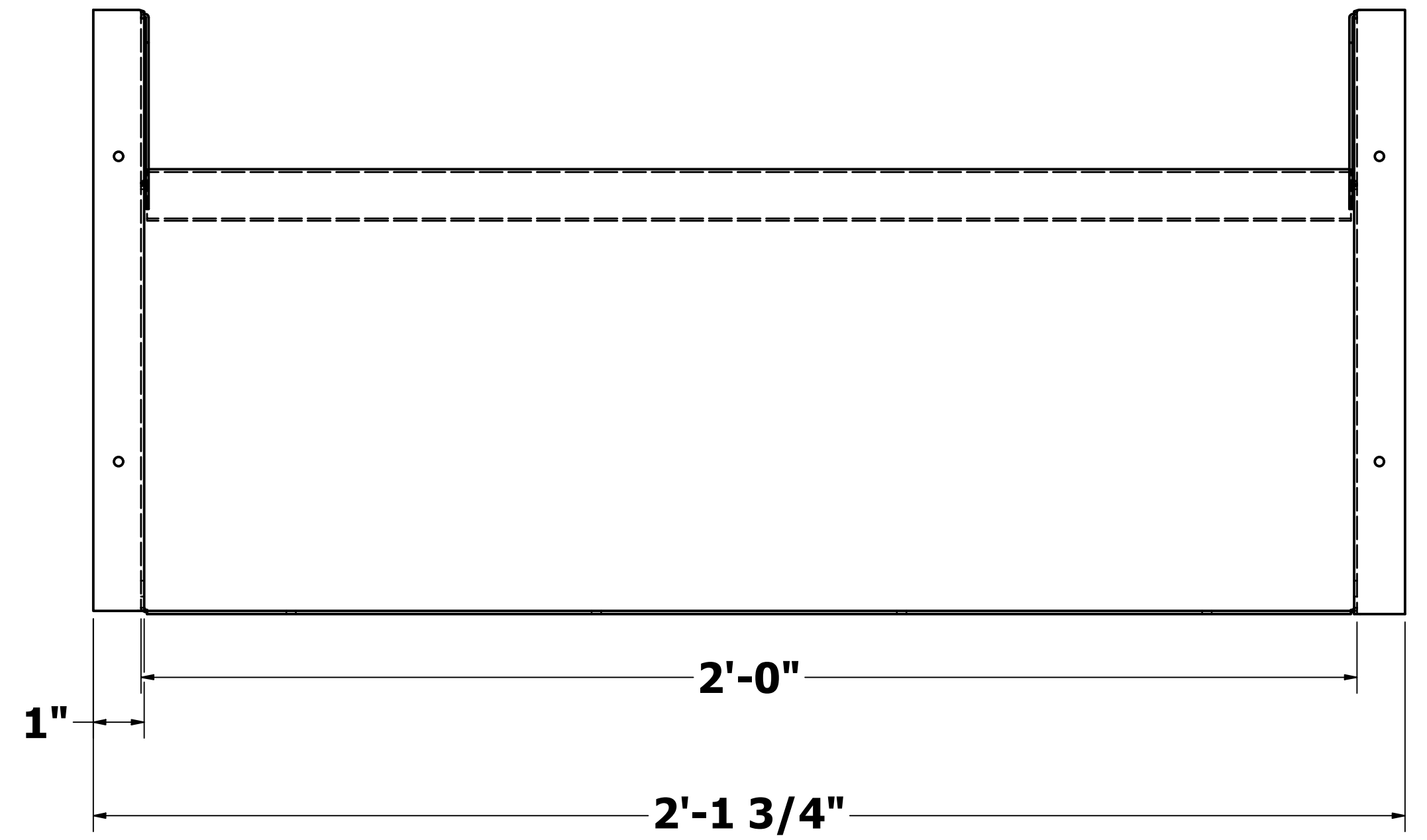
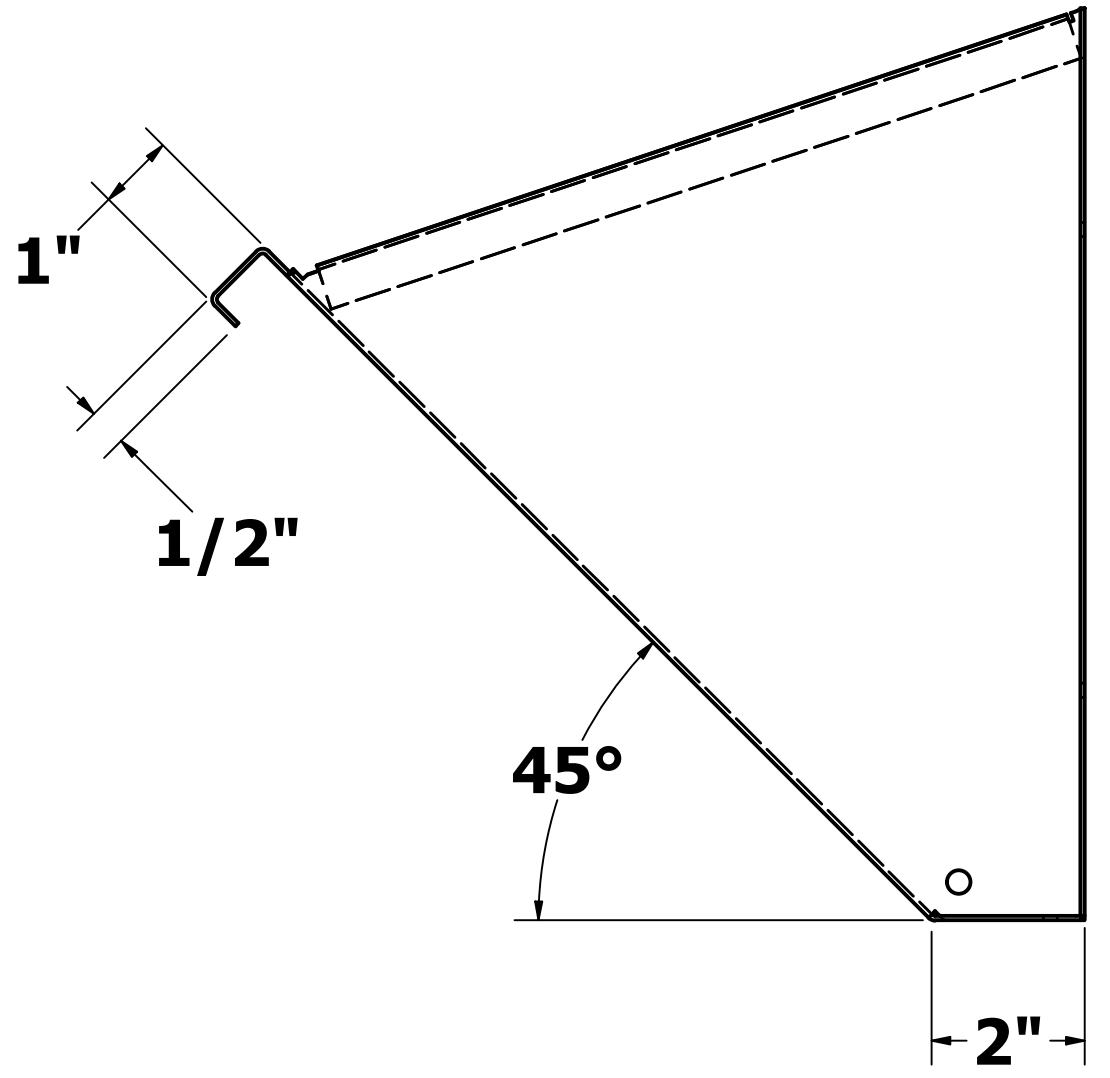
8 7 6 5 4 3 2 1

#3745 - 85 X 48 - 20G GALVANIZED STEEL

8 7 6 5 4 3 2 1

D

D



C

C

B

B

B

B

A

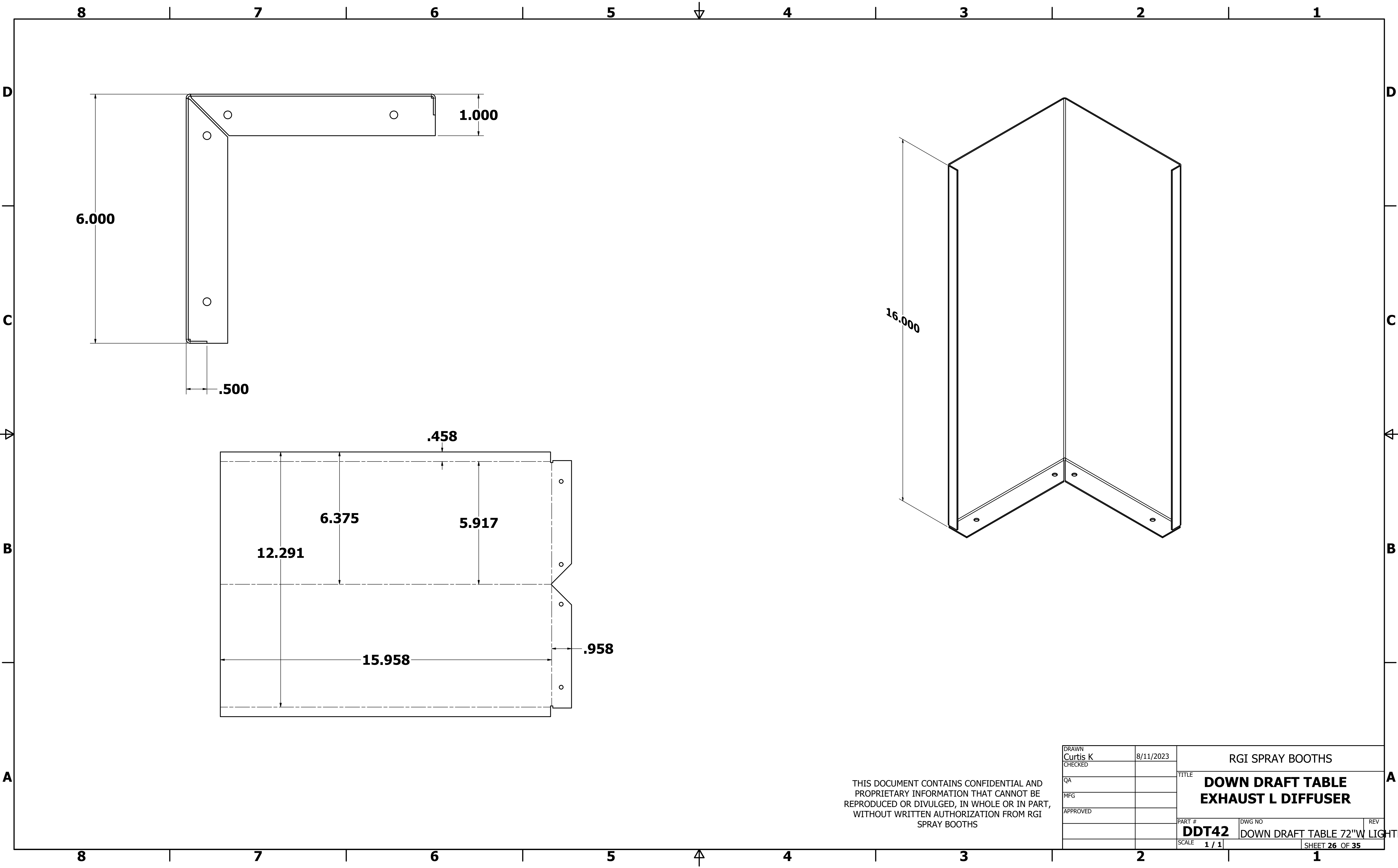
A

8 7 6 5 4 3 2 1

#3746 - 121 X 48 - 16G GALVANIZED STEEL

THIS DOCUMENT CONTAINS CONFIDENTIAL AND PROPRIETARY INFORMATION THAT CANNOT BE REPRODUCED OR DIVULGED, IN WHOLE OR IN PART, WITHOUT WRITTEN AUTHORIZATION FROM RGI SPRAY BOOTHS

DRAWN Curtis K	8/11/2023	RGI SPRAY BOOTHS	
CHECKED		TITLE <b>DOWN DRAFT TABLE PIVOT CUBBIE FRONT 24" X 12"</b>	
QA		PART #	DWG NO
MFG		<b>DDT62</b>	DOWN DRAFT TABLE 72"W LIGHT
APPROVED		SCALE <b>1 / 2.5</b>	SHEET <b>25</b> OF <b>35</b>



8 7 6 5 4 3 2 1

D D

C C

B B

A A

8 7 6 5 4 3 2 1

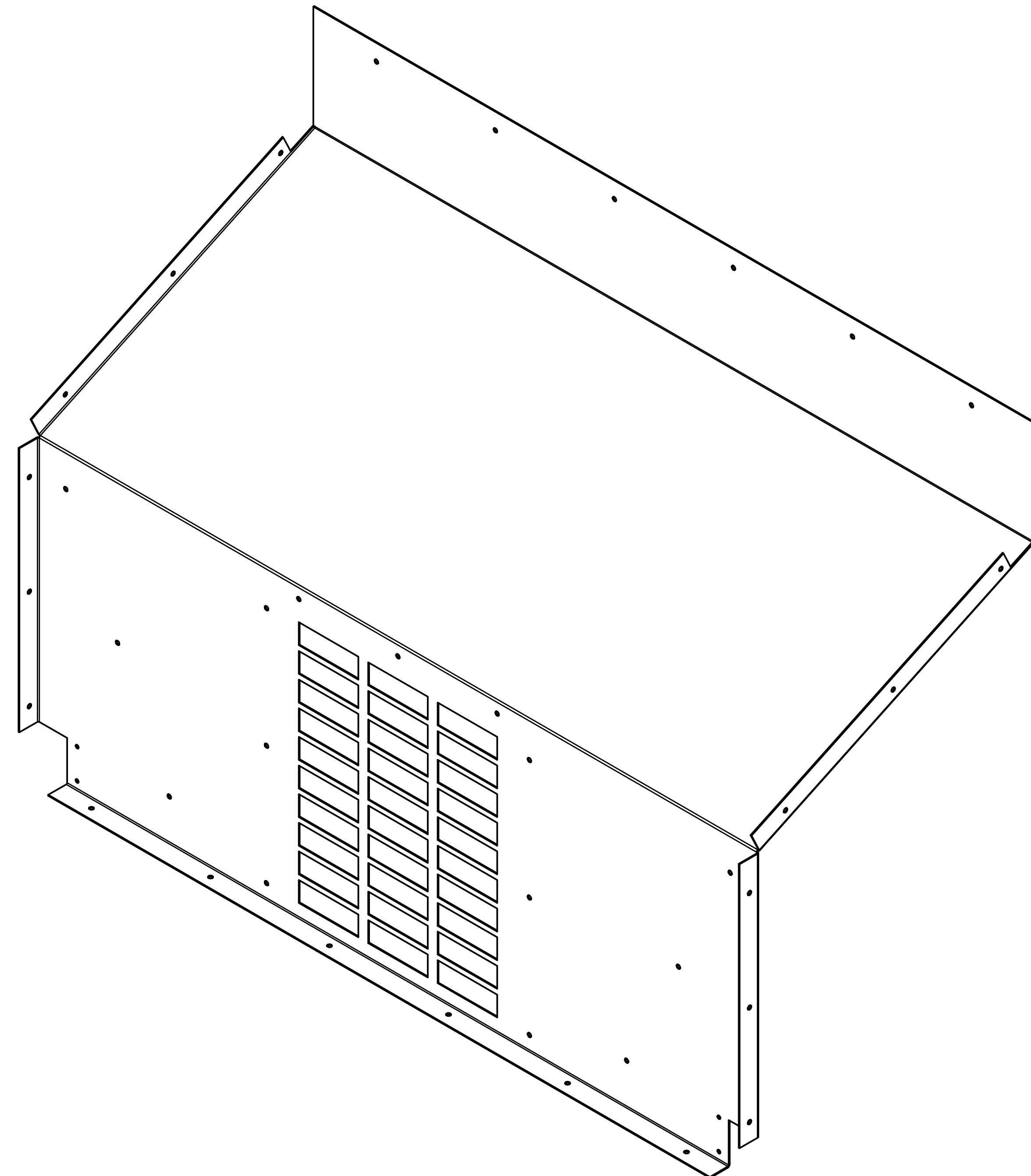
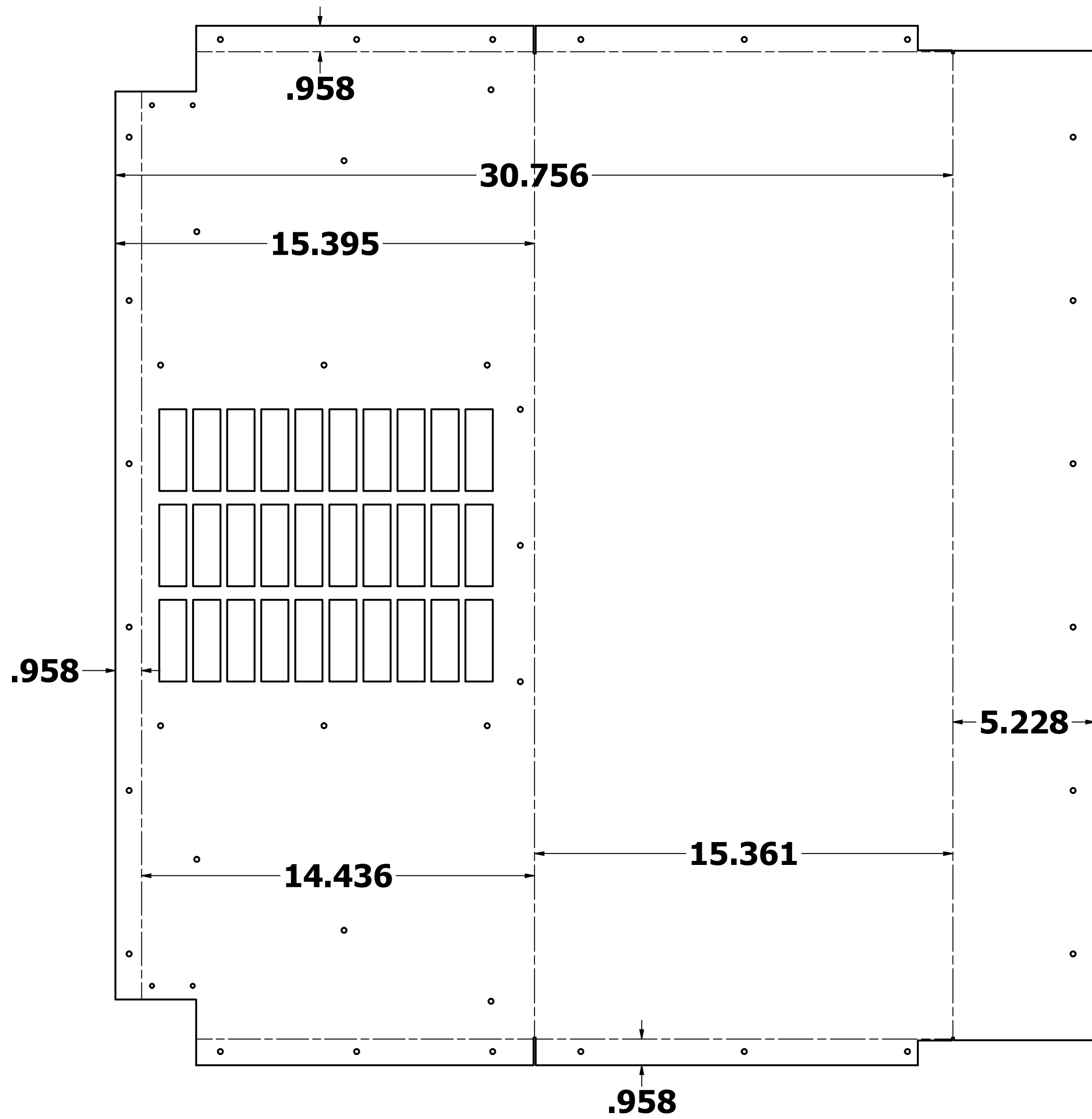
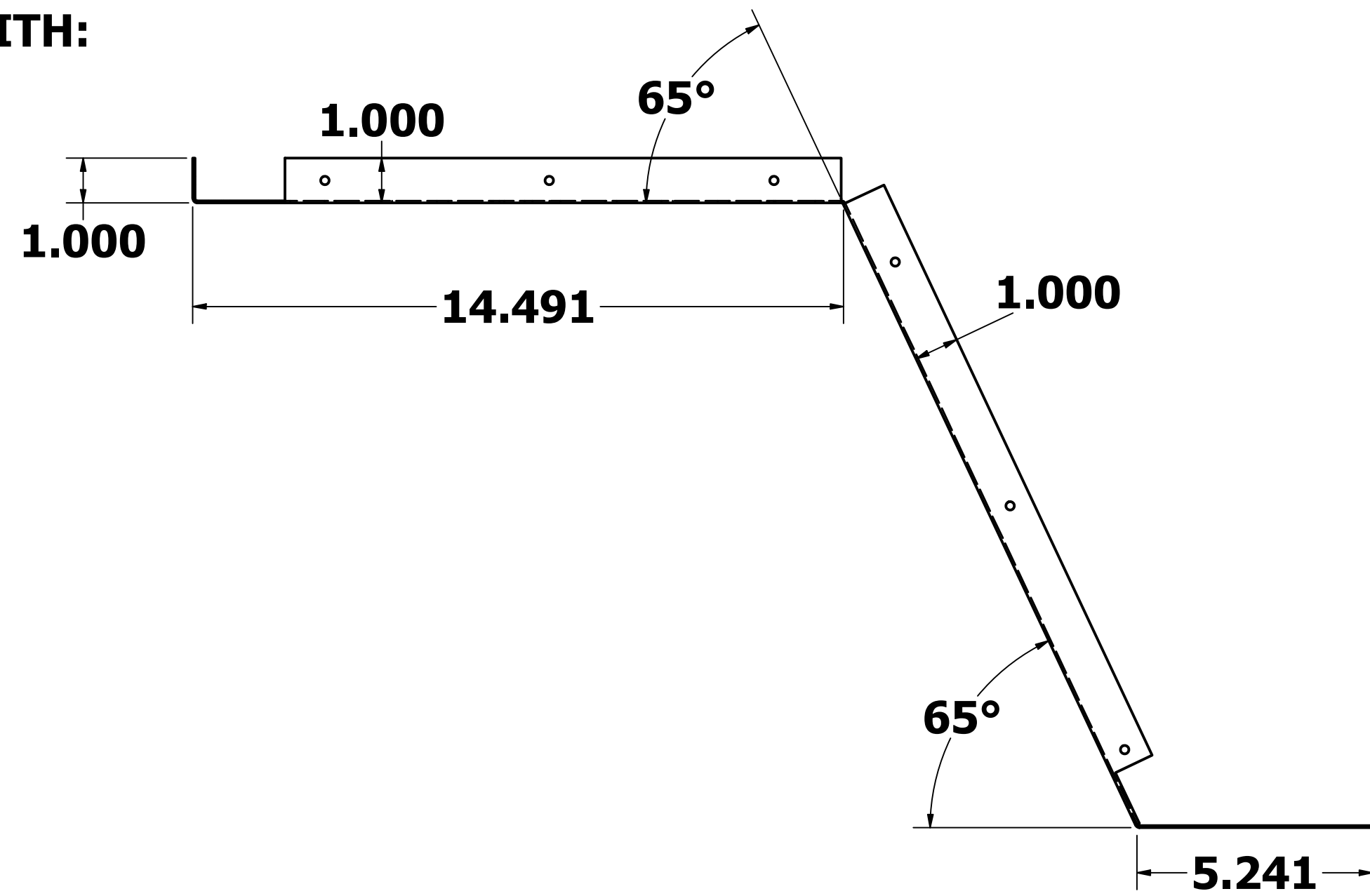
THIS DOCUMENT CONTAINS CONFIDENTIAL AND PROPRIETARY INFORMATION THAT CANNOT BE REPRODUCED OR DIVULGED, IN WHOLE OR IN PART, WITHOUT WRITTEN AUTHORIZATION FROM RGI SPRAY BOOTHS

DRAWN Curtis K	8/11/2023	RGI SPRAY BOOTHS	
CHECKED		TITLE <b>DOWN DRAFT TABLE EXHAUST L DIFFUSER</b>	
QA		PART #	REV
MFG		<b>DDT42</b>	
APPROVED		DWG NO	
		DOWN DRAFT TABLE 72"W LIGHTER	
		SCALE 1 / 1	SHEET 26 OF 35

#3747 - 144 X 48 - 18G GALVANIZED STEEL

8 7 6 5 4 3 2 1

IN COLLABORATION WITH:

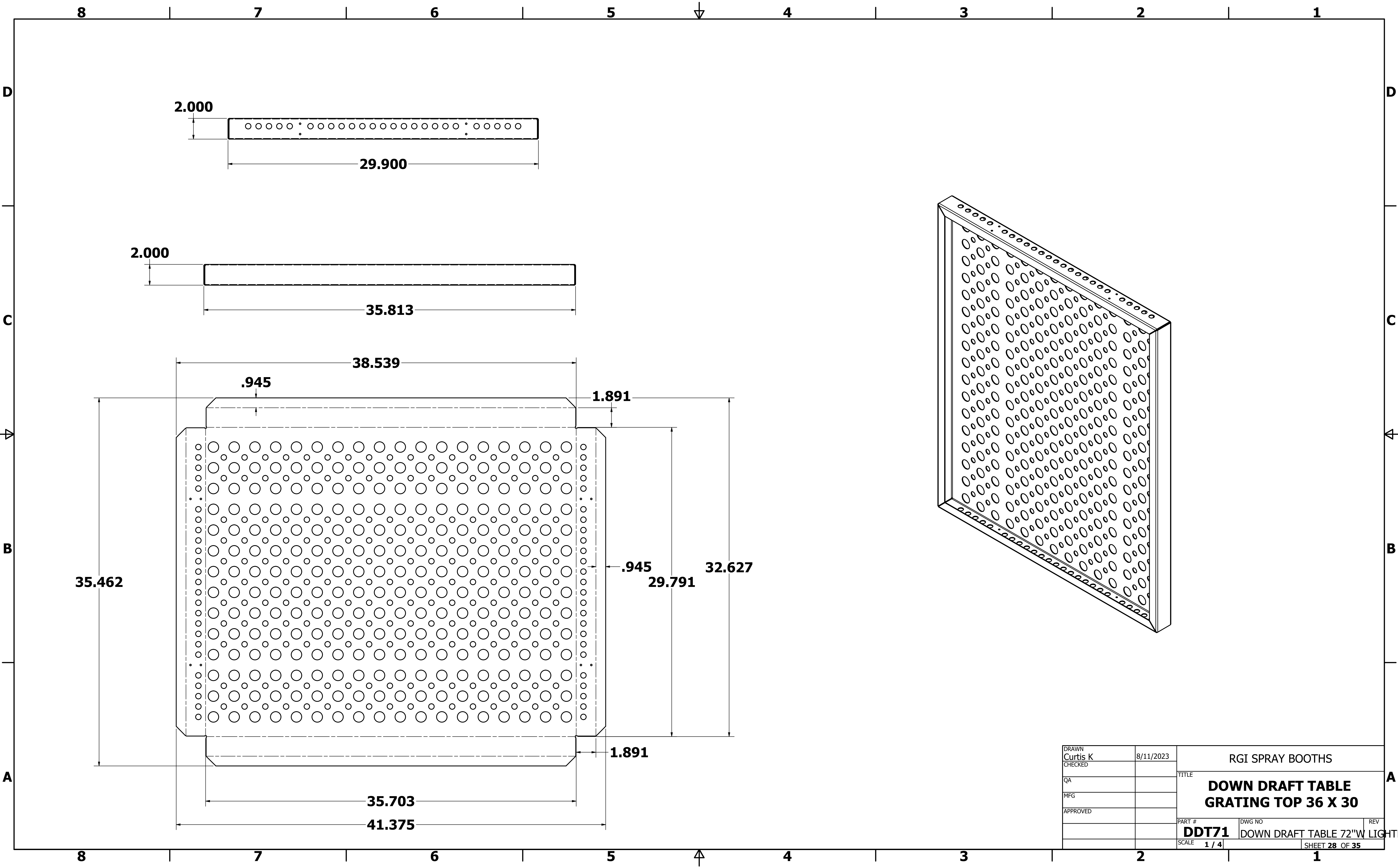


THIS DOCUMENT CONTAINS CONFIDENTIAL AND PROPRIETARY INFORMATION THAT CANNOT BE REPRODUCED OR DIVULGED, IN WHOLE OR IN PART, WITHOUT WRITTEN AUTHORIZATION FROM RGI SPRAY BOOTHS

DRAWN Curtis K	8/11/2023	RGI SPRAY BOOTHS	
CHECKED		TITLE	
QA		<b>DOWN DRAFT TABLE FILTER DIVIDER 36_36 X 14</b>	
MFG		PART #	DWG NO
APPROVED		<b>DDT51</b>	DOWN DRAFT TABLE 72"W LIGHTER
		SCALE	SHEET 27 OF 35
		<b>1 / 3.5</b>	

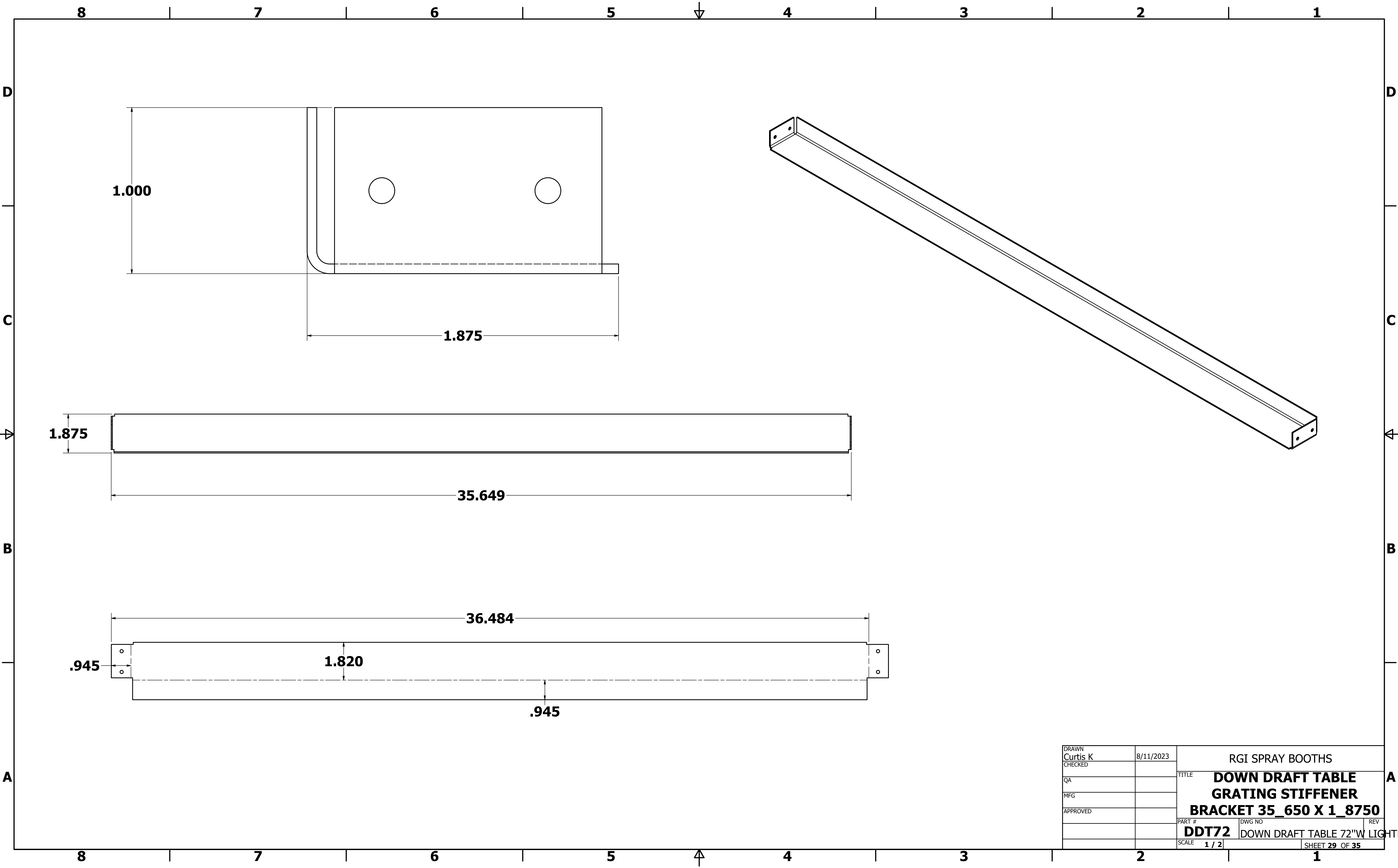
8 7 6 5 4 3 2 1

#3747 - 144 X 48 - 18G GALVANIZED STEEL



#3729 - 97X48 - 16G GALVANIZED STEEL

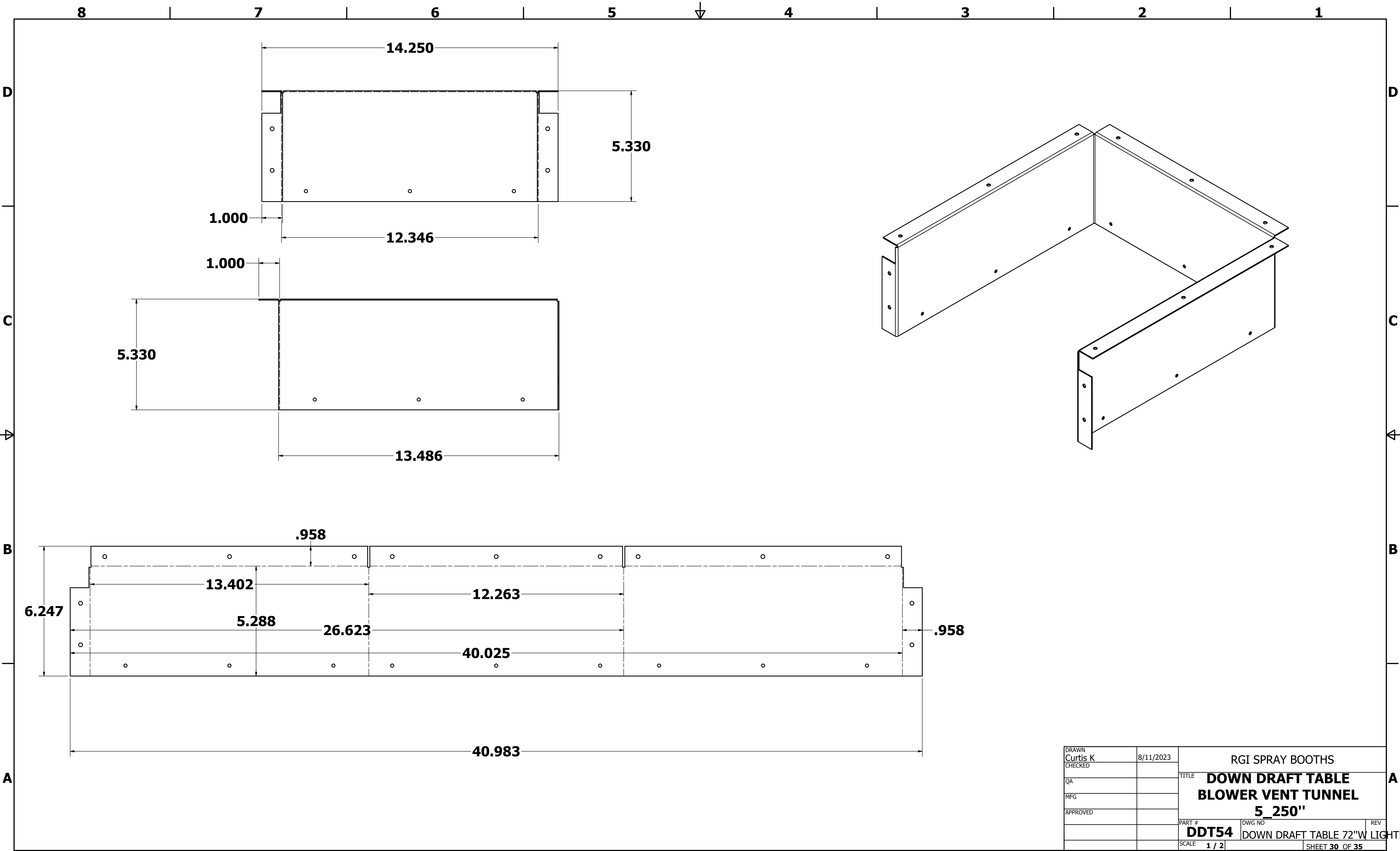
DRAWN Curtis K	8/11/2023	RGI SPRAY BOOTHS	
CHECKED		TITLE	
QA		<b>DOWN DRAFT TABLE GRATING TOP 36 X 30</b>	
MFG		PART #	DWG NO
APPROVED		<b>DDT71</b>	DOWN DRAFT TABLE 72"W LIGHTER
		SCALE 1 / 4	SHEET 28 OF 35



DRAWN Curtis K	8/11/2023	RGI SPRAY BOOTHS	
CHECKED		TITLE <b>DOWN DRAFT TABLE GRATING STIFFENER BRACKET 35_650 X 1_8750</b>	
QA		PART #	REV
MFG		<b>DDT72</b>	
APPROVED		DWG NO	
		DOWN DRAFT TABLE 72"W LIGHTER	
		SCALE 1 / 2	SHEET 29 OF 35

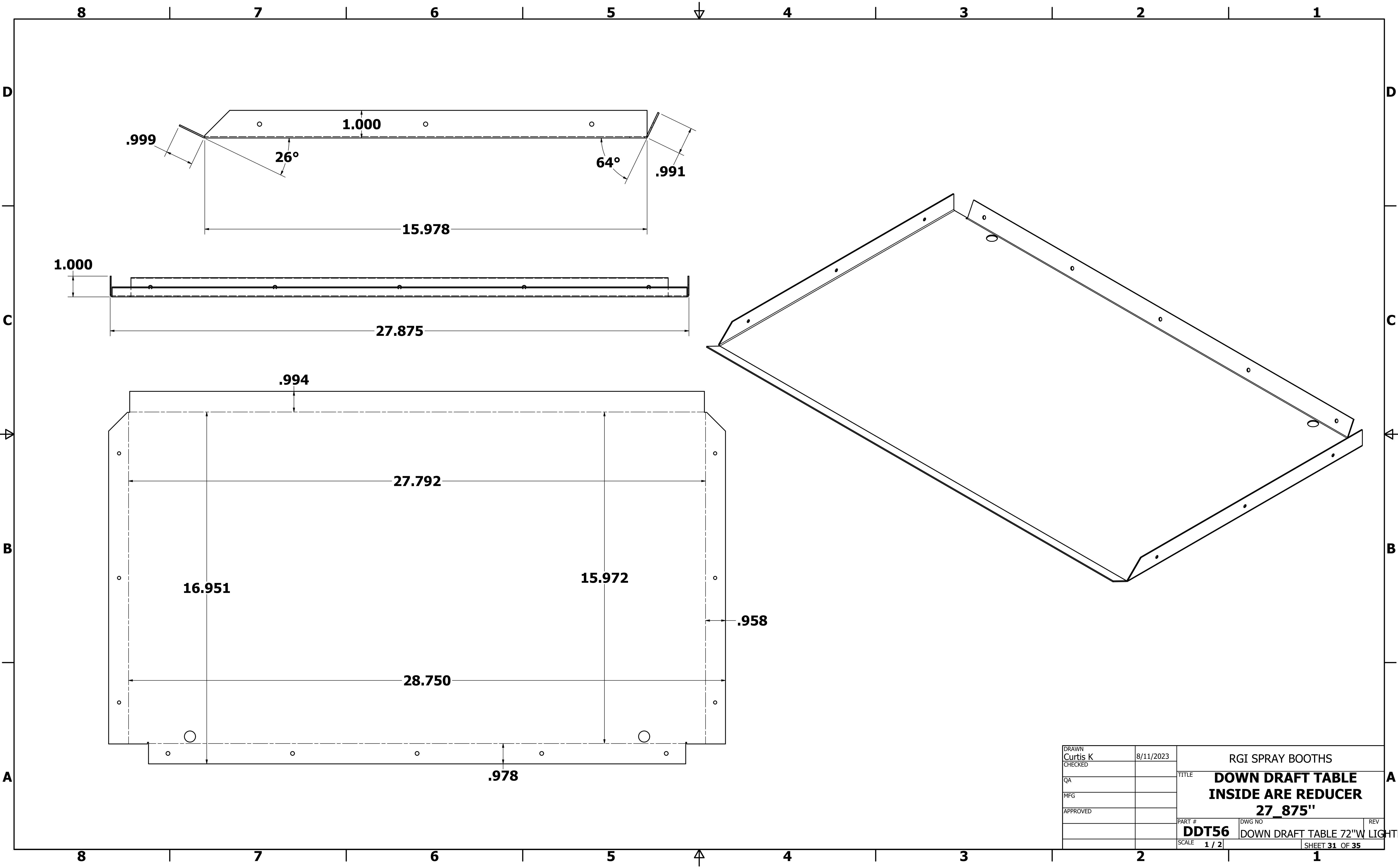
#3729 - 97X48 - 16G GALVANIZED STEEL





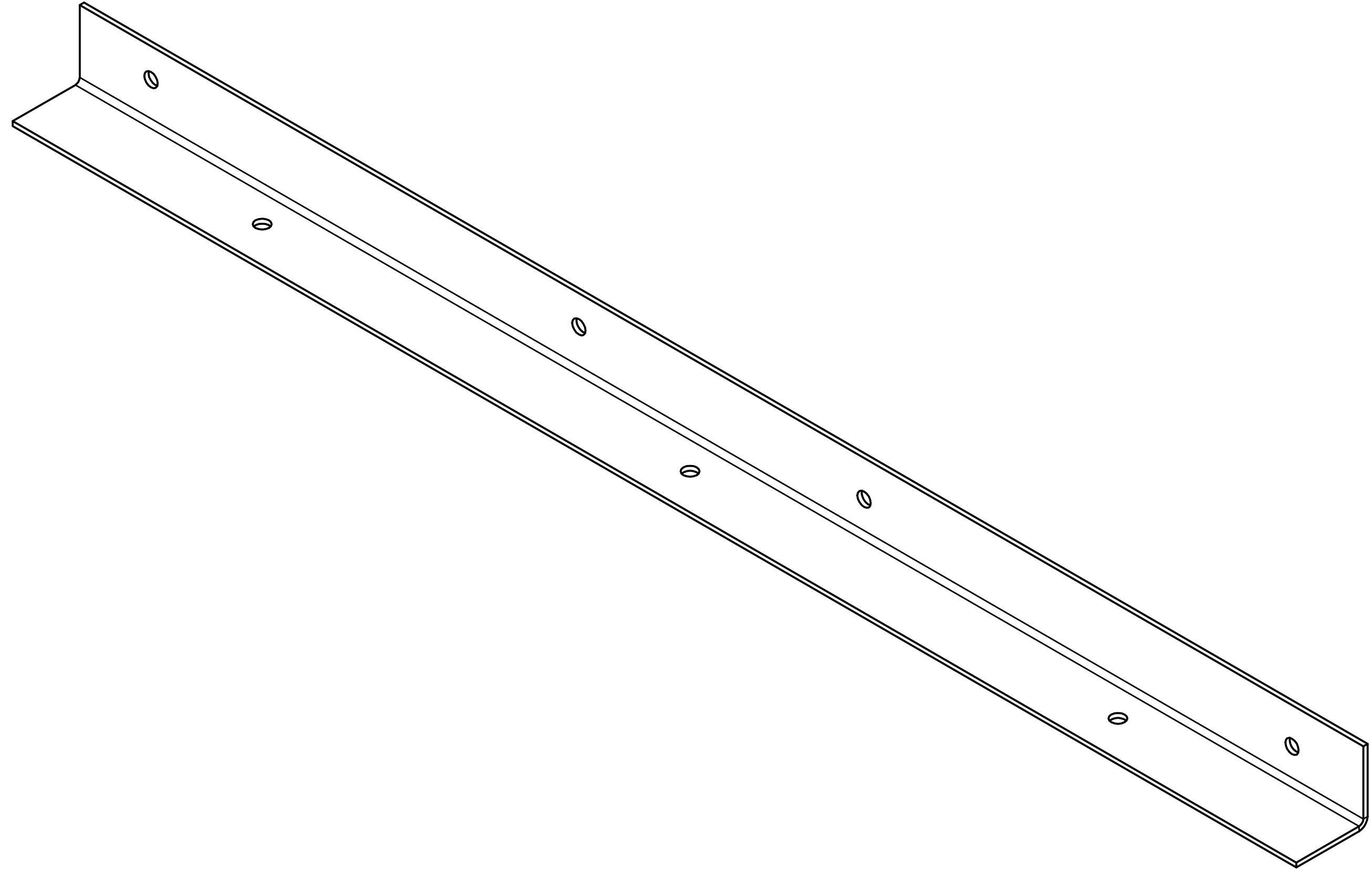
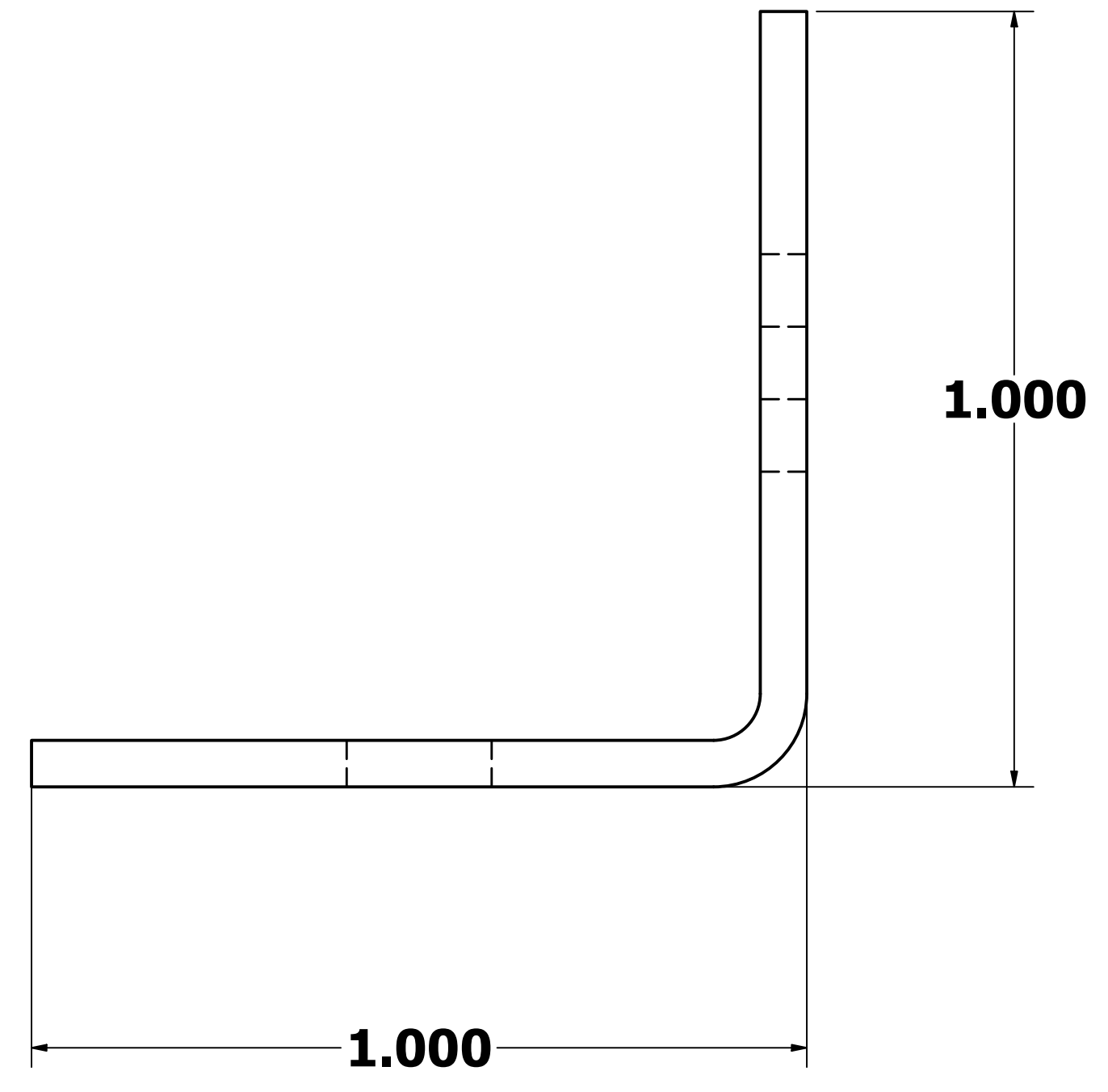
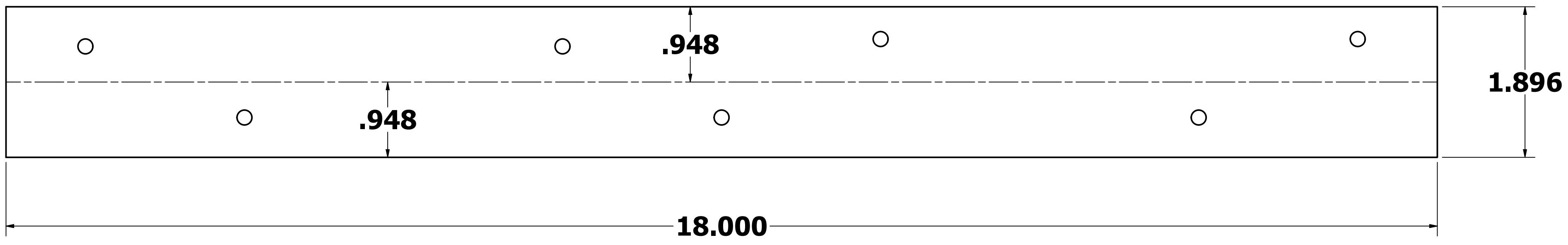
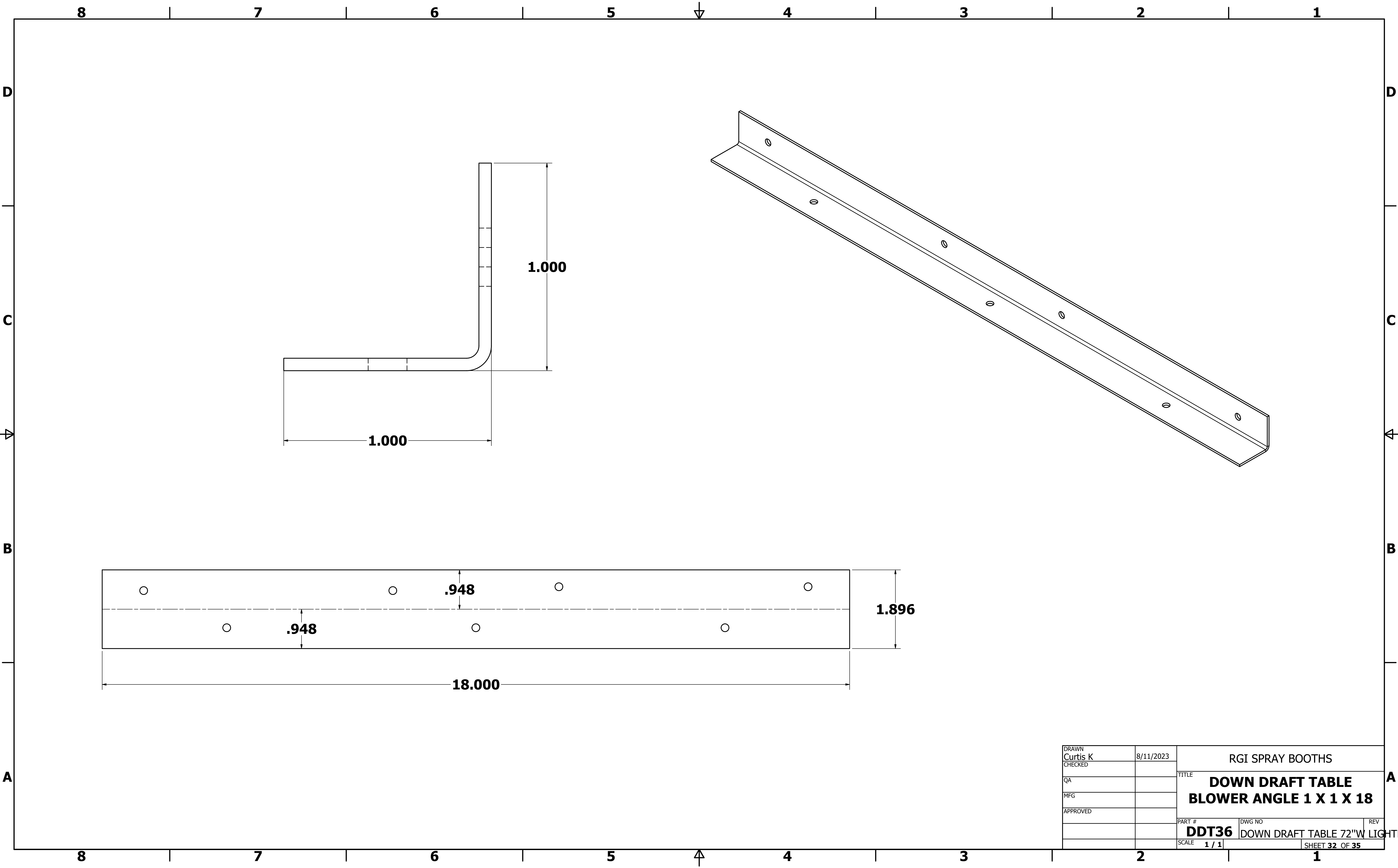
DRAWN Curtis K	8/11/2023	RGI SPRAY BOOTHS	
CHECKED		TITLE <b>DOWN DRAFT TABLE BLOWER VENT TUNNEL 5_250"</b>	
QA		PART #	REV
MFG		<b>DDT54</b>	
APPROVED		DWG NO	
		DOWN DRAFT TABLE 72"W LIGHTER	
		SCALE 1 / 2	SHEET 30 OF 35

#3747 - 144 X 48 - 18G GALVANIZED STEEL



DRAWN Curtis K	8/11/2023	RGI SPRAY BOOTHS	
CHECKED		TITLE <b>DOWN DRAFT TABLE INSIDE ARE REDUCER 27_875"</b>	
QA		PART #	REV
MFG		<b>DDT56</b>	
APPROVED		DWG NO	
		SCALE	1 / 2
		SHEET 31 OF 35	

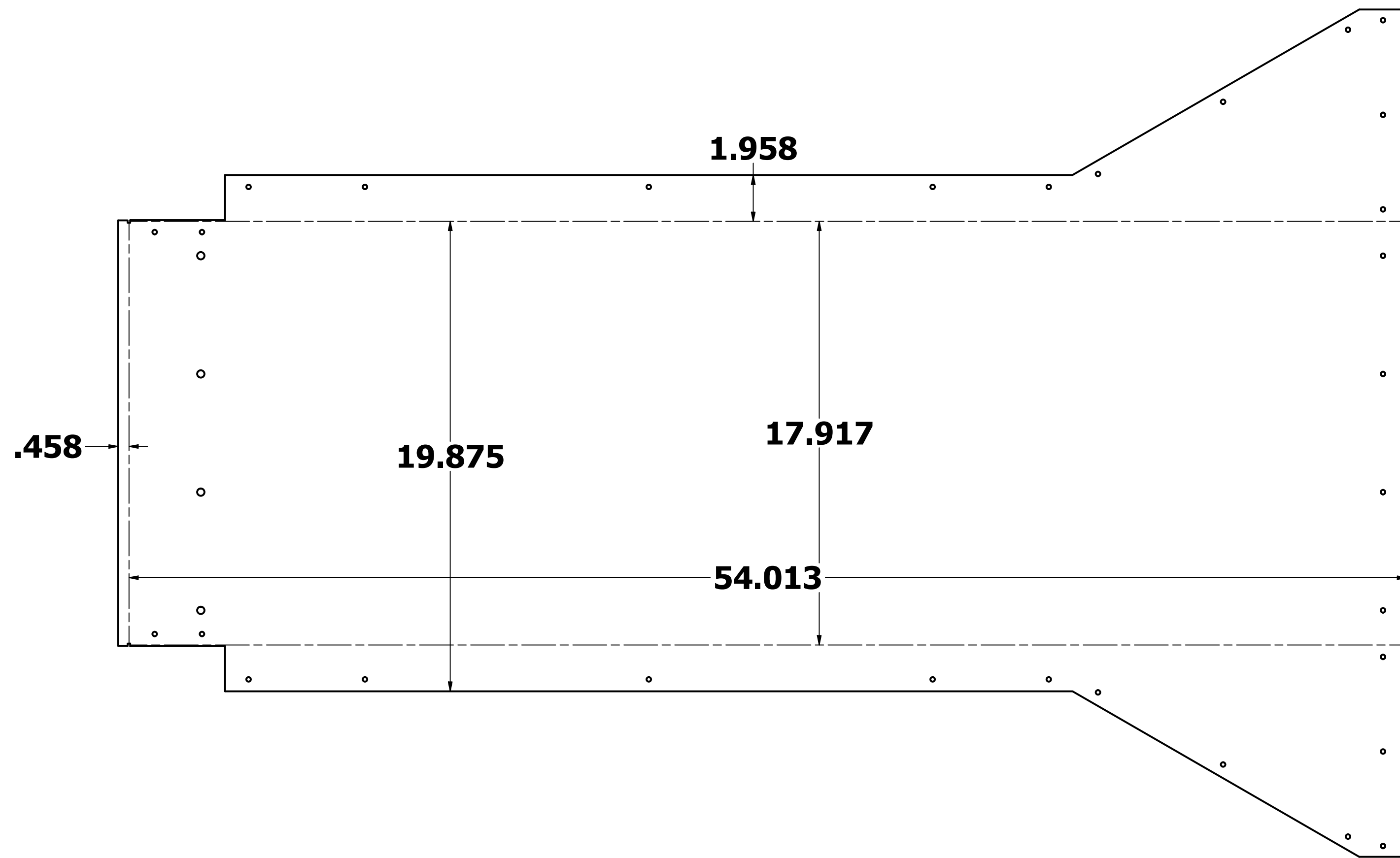
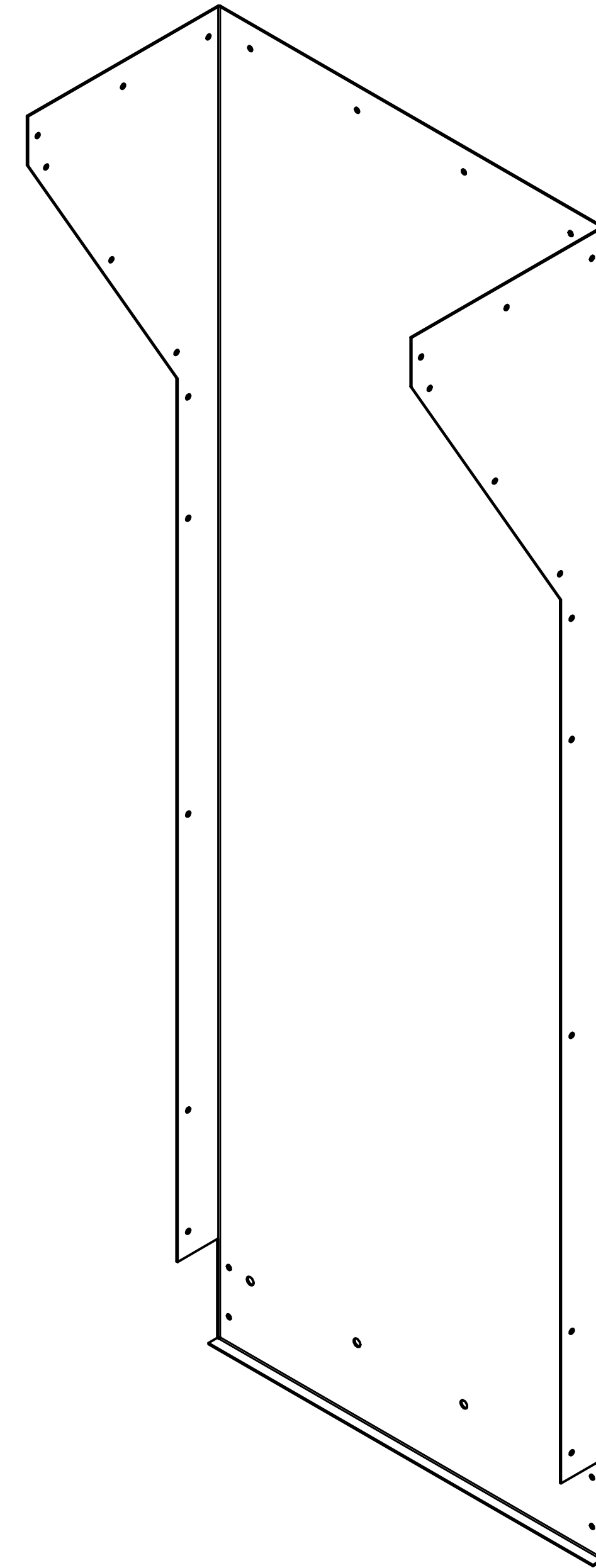
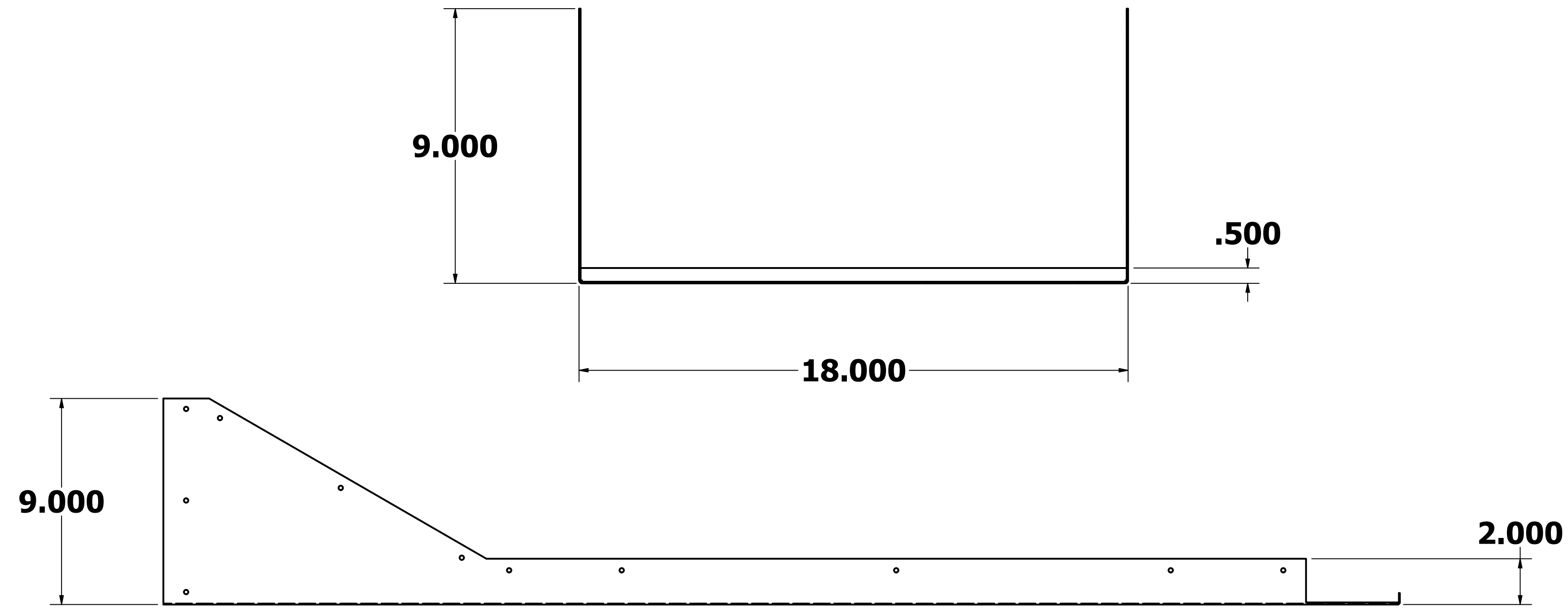
#3747 - 144 X 48 - 18G GALVANIZED STEEL



DRAWN Curtis K	8/11/2023	RGI SPRAY BOOTHS	
CHECKED		TITLE <b>DOWN DRAFT TABLE BLOWER ANGLE 1 X 1 X 18</b>	
QA		PART #	REV
MFG		<b>DDT36</b>	DWG NO
APPROVED		DOWN DRAFT TABLE 72"W LIGHTER	
		SCALE 1 / 1	SHEET 32 OF 35

#3713 - 121 X 48 - 18G GALVANIZED STEEL

IN COLLABORATION WITH:



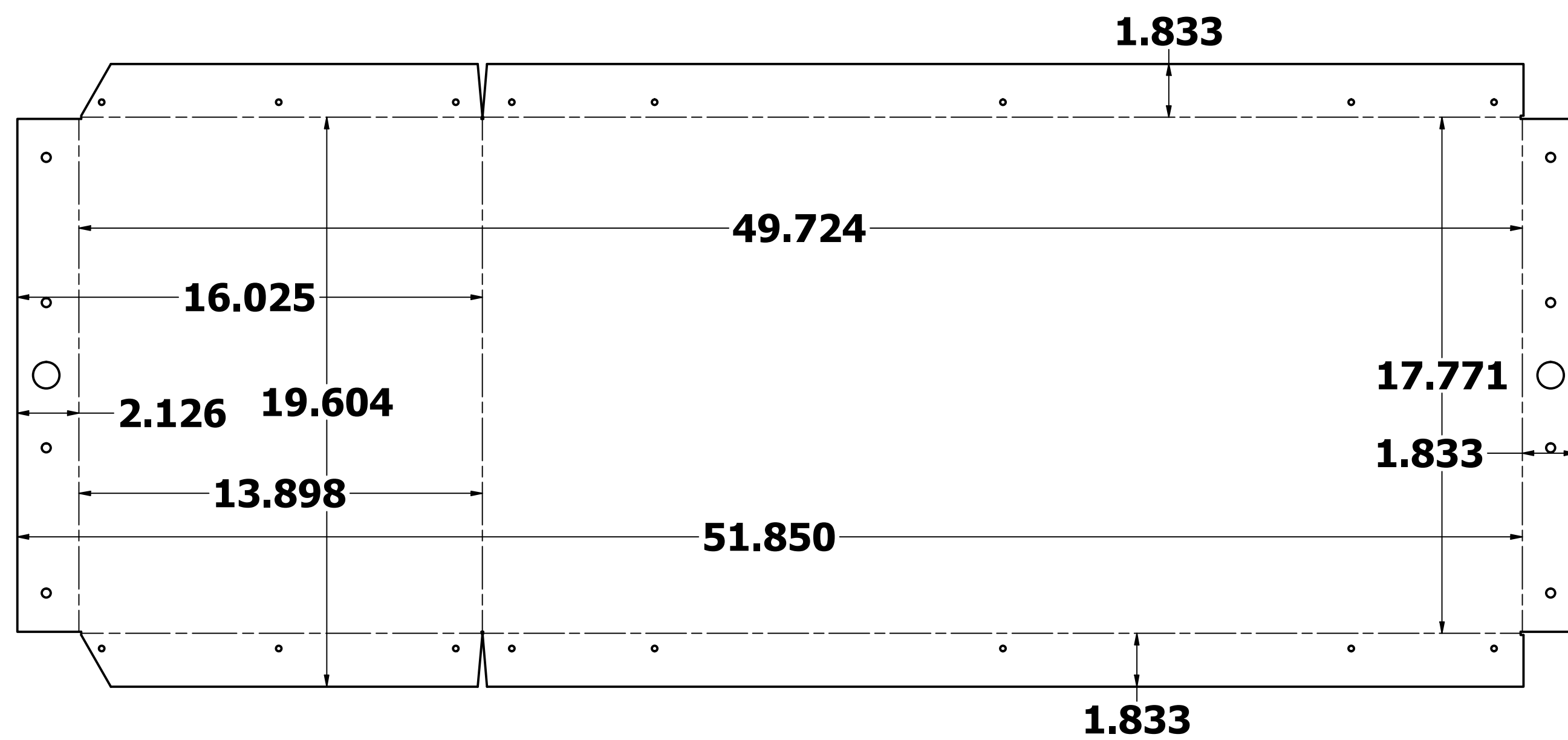
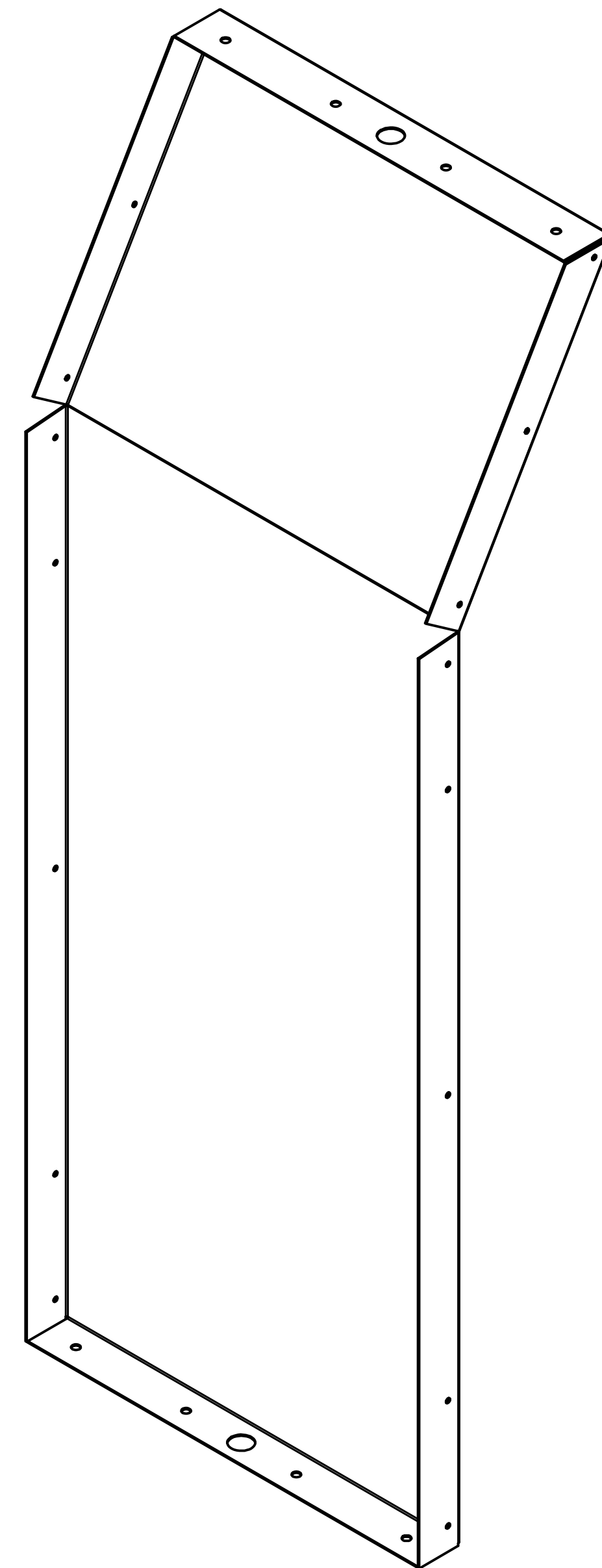
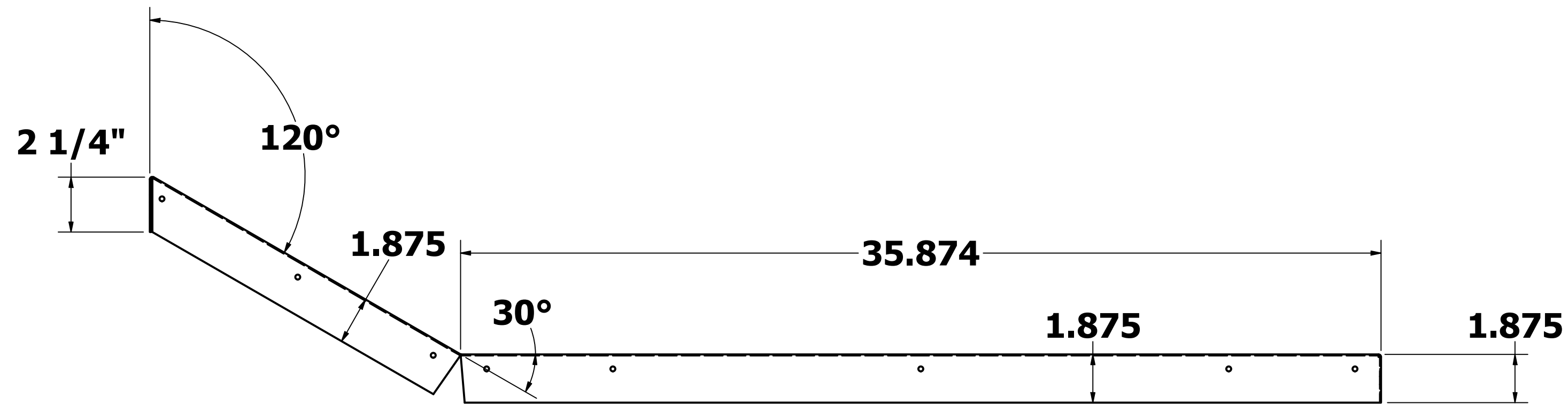
THIS DOCUMENT CONTAINS CONFIDENTIAL AND PROPRIETARY INFORMATION THAT CANNOT BE REPRODUCED OR DIVULGED, IN WHOLE OR IN PART, WITHOUT WRITTEN AUTHORIZATION FROM RGI SPRAY BOOTHS

DRAWN Curtis K	8/11/2023	RGI SPRAY BOOTHS	
CHECKED		TITLE <b>DOWN DRAFT TABLE LIGHT SIDE PANEL</b>	
QA		TITLE <b>OUTSIDE SKIN 55X18 REV 2</b>	
MFG		PART #	DWG NO
APPROVED		<b>DDT102</b>	DOWN DRAFT TABLE 72"W LIGHT
		SCALE <b>1 / 4</b>	SHEET <b>33</b> OF <b>35</b>

#3762 - 121 X 48 - 18G GALVANIZED STEEL

8 7 6 5 4 3 2 1

IN COLLABORATION WITH:



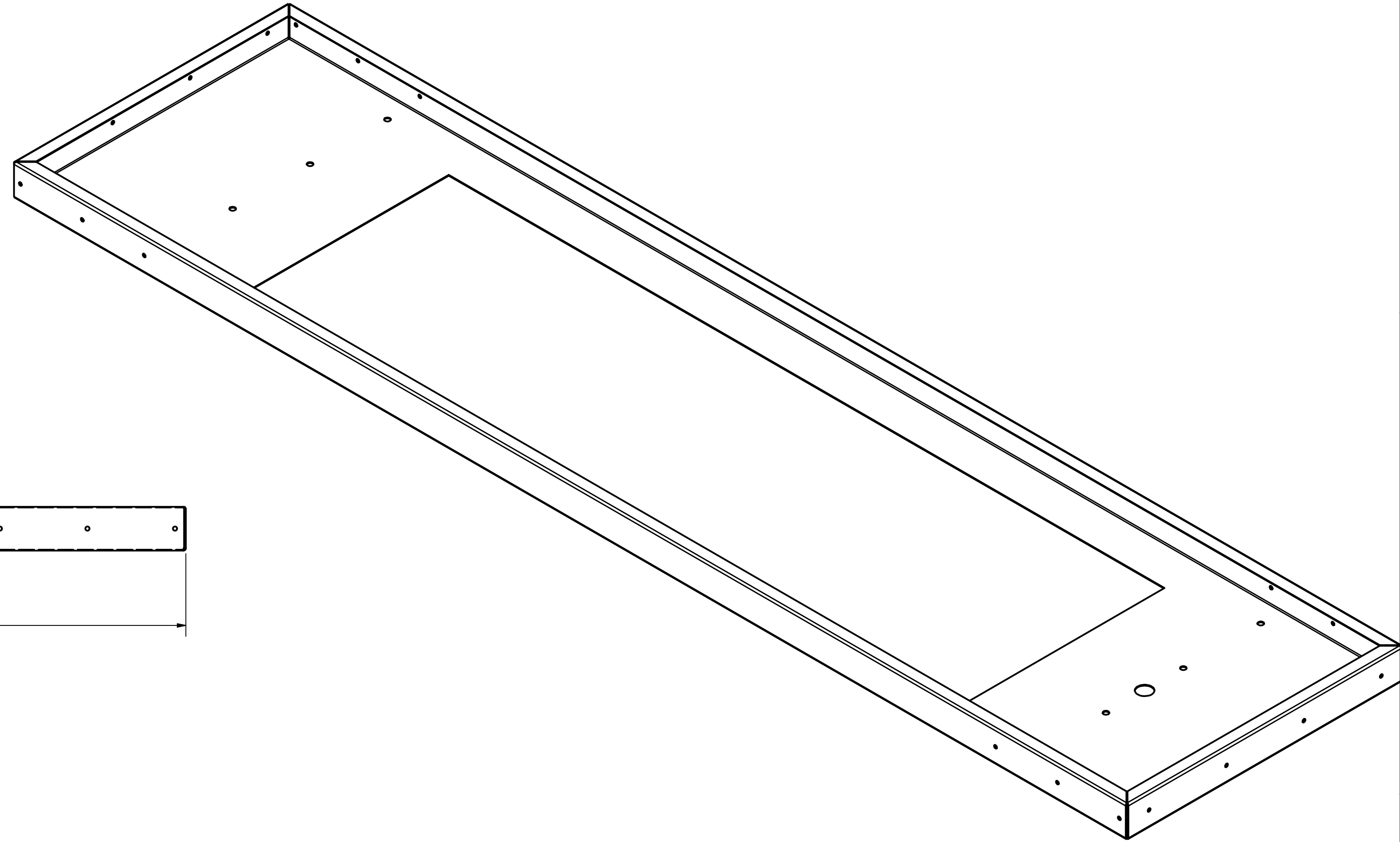
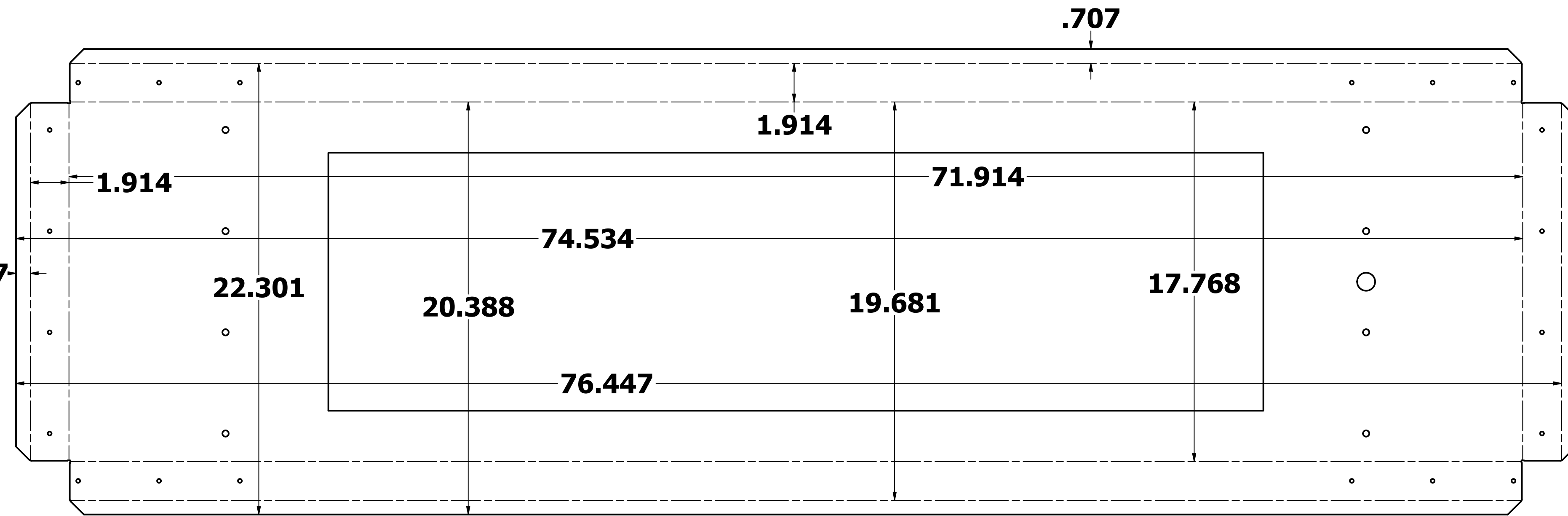
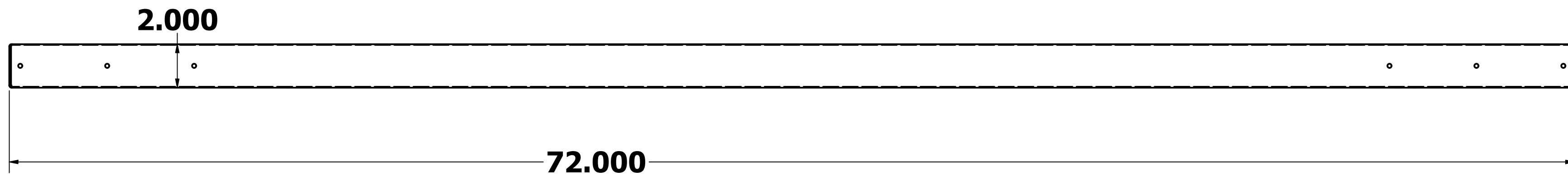
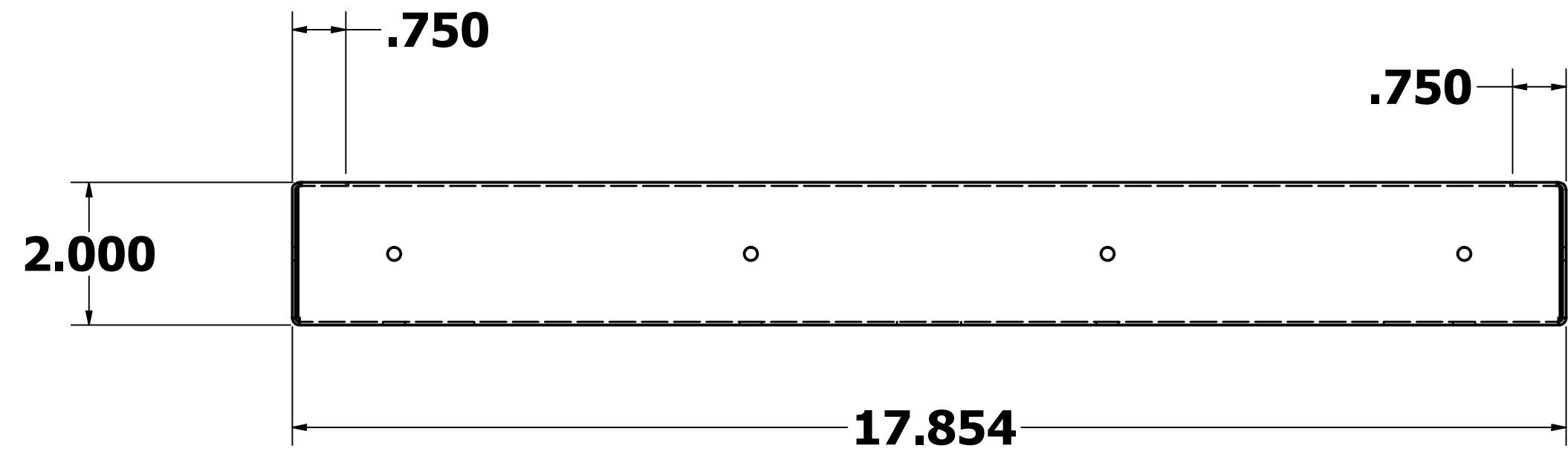
THIS DOCUMENT CONTAINS CONFIDENTIAL AND PROPRIETARY INFORMATION THAT CANNOT BE REPRODUCED OR DIVULGED, IN WHOLE OR IN PART, WITHOUT WRITTEN AUTHORIZATION FROM RGI SPRAY BOOTHS

DRAWN Curtis K	8/11/2023	RGI SPRAY BOOTHS	
CHECKED		TITLE <b>DOWN DRAFT TABLE LIGHT SIDE PANEL INSIDE SKIN 55" X 18"</b>	
QA		PART #	REV
MFG		<b>DDT103</b>	
APPROVED		DWG NO	
		SCALE	SHEET 34 OF 35
		<b>1 / 4</b>	

8 7 6 5 4 3 2 1

#3751 - 144 X 48 - 18G GALVANIZED STEEL

IN COLLABORATION WITH:



THIS DOCUMENT CONTAINS CONFIDENTIAL AND PROPRIETARY INFORMATION THAT CANNOT BE REPRODUCED OR DIVULGED, IN WHOLE OR IN PART, WITHOUT WRITTEN AUTHORIZATION FROM RGI SPRAY BOOTHS

DRAWN Curtis K	8/11/2023	RGI SPRAY BOOTHS	
CHECKED		TITLE	
QA		<b>DOWN DRAFT TABLE 4' LIGHT PANEL 54" X 18"</b>	
MFG		PART #	DWG NO
APPROVED		<b>DDT104</b>	DOWN DRAFT TABLE 72"W LIGHT
		SCALE 1 / 4	SHEET 35 OF 35

#3751 - 144 X 48 - 18G GALVANIZED STEEL