

SAGOLA ®
an Elcometer company



CLASSIC PRO XD



Community Design
924667-0004 PAT. 200801598

THE NEW CLASSIC PRO XD SPRAY GUN

SAGOLA set the pace in the mid to high range of spray guns.

The new **Classic Pro XD** is launched with the highest SAGOLA manufacturing standards, competitive prices whilst maintaining a superb service and offering the best **warranty** (3 years).

A new body design with improved ergonomics, the widest range of answers and application solutions. All this with strict compliance with the most demanding standards of manufacture and emissions of solvents. All this defines the new model **Classic Pro XD**.

- New aircaps
- High spray quality Sagola
- Maximum transfer of paint

AIR CAPS



21 EPA



**Conventional
25/36/28**



HVLP

Classic Pro XD 21 EPA

- 1.4 [21EPA]: High quality finishes. Lacquers and Dyes
- 1.6 [21EPA]: Finishes and Primers. Varnishes and Lacquers. Wood. HS Primers
- 1.8 [21EPA]: HS Primer. High thickness. Basecoats, Primers

Classic Pro XD Convencional

- 2.0 [25]: HS Primer. High thickness. Basecoats, Primers
- 2.5 [36]: Primers. High viscous. Varnishes and waterborne paints
- 2.8 [28]: Viscous primers. Forged effect

Classic Pro XD HVLP

- 1.4 [HVLP]: Industrial finishes. Dyes.
- 1.6 [HVLP]: Industrial finishes and primers. HS primers
- 1.8 [HVLP]: HS Primer. High thickness. Basecoats, Primers
- 2.5 [HVLP]: Primers. High viscous. Varnishes and waterborne paints

FUNCTIONAL ADVANTAGES

ECONOMY

Sagola, the highest quality at the most competitive price in its range.

SAVING IN PAINT CONSUMPTION

HVLP Aircap. Maximum saving and minimum mist.

EPA Aircap. High performance finishes.

TECHNICAL IMPROVEMENTS

- New body design.
 - Maximum ergonomics and comfort.
 - No joints between air and paint.
 - Internal air distributor. Avoid loose parts and deterioration.
 - Noozles and needles in Stainless steel.
 - Matt chromed. Image quality and ease of cleaning.
 - Time savings.
 - Strict compliance with the most demanding standards of manufacture and emissions of solvents.
 - Ability to work with portable compressors > 2HP.
- Low consumption aircap.



Professional SAGOLA solution in all sectors of painting



- **BODYSHOP**
Primers
Gun applied mastics
- **INDUSTRY**
High quality finishes
Primers

- **WOOD**
Lacquers and Varnishes
Basecoats
Waterborne clearcoats
- **DECORATION**
Enamels
Varnishes



FUNCTIONAL ADVANTAGES

Classic Pro XD

SAGOLA
an Elcometer company

TECHNICAL DATA

- **Weight with cup:** 481 g.
- **Dimensions with cup:** 17.9 x 1.9 x 17.6 cm.
- **Air inlet coupling:** 1/4"
- **Cup capacity:** 650 ml.
- **Product filter:** 80 mesh
- **Maximum air inlet pressure recommended in all models:** 2 BAR
- **Application distance:**
 - HVLP: 12 - 15 cm.
 - 21EPA and 25/36/28: 18 - 20 cm.
- **Air consumption:**
 - HVLP: 355 L/min.
 - 21EPA: 225 L/min.
 - 25/36/28: 155/205/240 L/min.



VERSIONS

SAGOLA offers a range of air nozzle kits and needle and air caps kits for a wide variety of applications.

Code	Air cap	Buse	Application
10141620	21 EPA	1.40	High quality finishes. Lacquers and Dyes
10141623		1.60	Finishes and Primers. Varnishes and Lacquers. Wood. HS Primers
10141625		1.80	HS Primer. High thickness. Basecoats, Primers
10141627	25	2.00	HS Primer. High thickness. Basecoats, Primers
10141629	36	2.50	Primers. High viscous. Varnishes and waterborne paints
10141630	28	2.80	Viscous primers. Forged effect
10141621	HVLP	1.40	Industrial finishes. Dyes
10141624		1.60	Industrial finishes and primers. HS primers
10141626		1.80	HS Primer. High thickness. Basecoats, Primers
10141631		2.50	Primers. High viscous. Varnishes and waterborne paints



It comes in a custom box



Regulations / Patents / Registries

- All SAGOLA products meet the strictest safety standards for the manufacturing of painting equipment.
- SAGOLA products comply with EC regulations and all the ATEX standards.
- To protect itself against copies and counterfeits, SAGOLA register the shape of its guns and, naturally, registers its trademark worldwide.

REGULATIONS

- | | |
|--|--------------------------------------|
| · CE | · PATENTED AIR VALVE: PAT. 200801598 |
| · EN 1953 | · COMMUNITY DESIGN: D-C 924667-0004 |
| · ATEX  II 2 GX | · DESIGN IN ASIA: 200830139660.3 |

SAGOLA WARRANTY

SAGOLA offers a **3-year guarantee** for its entire product range, that covers any design or manufacturing defect in its products. Any defect in its design will be repaired or replaced free of charge to the client.



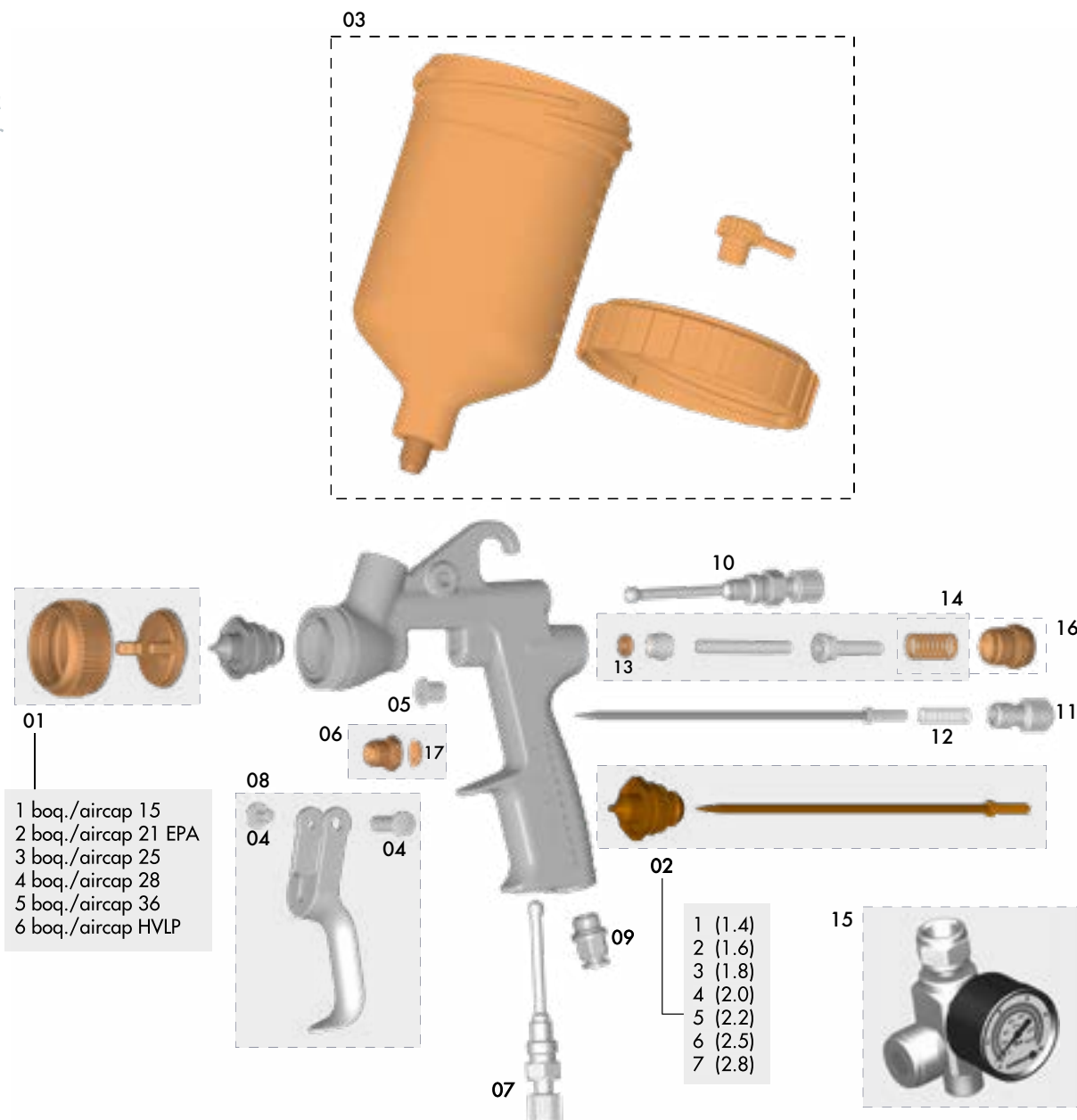
REGULATIONS / WARRANTY

Classic Pro XD


SAGOLA
an Elcometer company

SPARE PARTS SERVICE GUARANTEE

SAGOLA is synonymous with **quality and service**. For this reason SAGOLA offers comprehensive guarantee of the service of components and spare parts for the perfect maintenance of all its products, even those sold over 10 years ago.



Critical parts are those that can produce a malfunction in a spray gun: Wearing parts, seals, gaskets, glands... Sagola spray guns contain **ONLY 6 CRITICAL PARTS** (■). Just 6 references to store and provide a 100% effective after-sales service.



Spare parts
latest version

SPARE PARTS

CLASSIC PRO XD

N°	Code	Description
01/1	56418638	15 aircap
01/2	56418639	21 EPA aircap
01/3	56418640	25 aircap
01/4	56418641	28 aircap
01/5	56418642	36 aircap
01/6	56418643	HVLP aircap
02/1	10011254	1.40 nozzle + needle kit
02/2	10011255	1.60 nozzle + needle kit
02/3	10011256	1.80 nozzle + needle kit
02/4	10011257	2.00 nozzle + needle kit
02/5	10011258	2.20 nozzle + needle kit
02/6	10011259	2.50 nozzle + needle kit
02/7	10011260	2.80 nozzle + needle kit
03	56418085	Gravity cup lid 0.65 L
04	56418429	screw + gun trigger sahft kit (short)
05	51910608	Trigger needle guide bushing

SPARE PARTS

CLASSIC PRO XD

N°	Code	Description
06	56411619	Packing nut complete
07	49000739	Air regulator
08	56418637	Spray gun trigger kit
09	11020520	Connection coupling
10	49000714	Fan regulator
11	57810380	Product regulator wheel
12	54710275	Spring
13	56418494	kit valve washer
14	56418481	Valve kit
15	40000335	RC2 Air glow regulator
16	56418701	Product needle + spring kit
17	54210224	Joint

ACCESSORIES and COMPLEMENTS

REMEMBER, always use original SAGOLA spare parts in order to guarantee the proper operation of your painting equipment

4000 SERIES AIR FILTERS

Extremely smooth operation, maximum precision. Fast release, instant decrease in pressure. Air-assisted regulator. Constant and regular air supply. Aluminium bodies. CNC mechanisation. Totally robust. Unattended evacuation of liquids and impurities.



4120PLUS
Ref. 10730502

4220PLUS
Ref. 10750402

SERIE PLUS AIR FILTERS

The most compact solution for the small workshops, industry or priming and preparation areas.



970PLUS
Ref. 10730401

COUPLINGS For disposable deposits. "PPS" types

Ref. 55711607 C. for disp. deposits 3M PPS
 Ref. 55711617 C. for disp. deposits MIPA-CARWOX
 Ref. 55711609 C. for disp. deposits GERSON-NORTON
 Ref. 55711610 C. for disp. deposits FLEXI-CUP
 Ref. 55711619 C. for disp. deposits DEVILBISS-DEKUPS
 Ref. 55711621 C. for disp. deposits SATA RPS



RC2

Flow regulator with pressure gauge.



Ref. 40000335

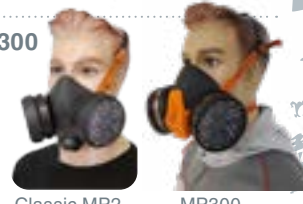
FACE MASK 4240. Breathing equipment including: face mask, belt, active coal filter, preset regulator, 10m of hose + safety sockets, 1.5 m of hose and outlet for spray gun.

Approval: 89/686/CEE (EPI) Ref. 15830101



CLASSIC MP2 and MP300

Face mask with paint filter. For organic vapours and solvents. Approval: FBC – 9086 A
 Ref. 14810201 (MP2)
 Ref. 14810301 (MP300)



Classic MP2

MP300



AIR HOSES. Antistatic and anti-adherent hose. Great flexibility and lightness. Clamping fittings for maximum safety. Inside diameter of 8mm, enough for any model of spray gun.
 Ref. 56414024 (6 m.) /56414025 (11 m.)

QUICK COUPLING. Made of brass and steel, seal and safe closure. Available in safety and aluminum version (ultra-light). Handle made of composite. High flow. Maximum resistance to attrition and pull.



CLEANING KIT
 Complet cleaning set.

Ref. 40000249



LUBRICANT GREASE

Ref. 56418589



ACCESSORIES and COMPLEMENTS

Classic Pro XD

SAGOLA
 an Elcometer company

Classic Pro XD

SAGOLA [®]
an Elcometer company

SAGOLA S.A.U. will refuse any responsibility for the damage of defects caused by spray guns with a similar appearance to the originals.

These guns are imitations that **HAVE NOT BEEN MANUFACTURED BY SAGOLA, S.A.U.**

The SAGOLA S.A.U. products are exclusively sold through our distributors, with spare parts and a 3-year worldwide guarantee against design and/or manufacturing defects.

SAGOLA S.A.U. has always displayed the quality of its products with pride, but lately, in view of its ever more demanding clients, it has obtained certifications that vouch for the guarantee of its know-how and its impeccable organisational quality.



MADE IN
SPAIN



CE UK
CA

TOTAL FINISHING



Finishing
Solutions, LLC



SYSTEMS

SOLUTIONS

SUPPLIES