

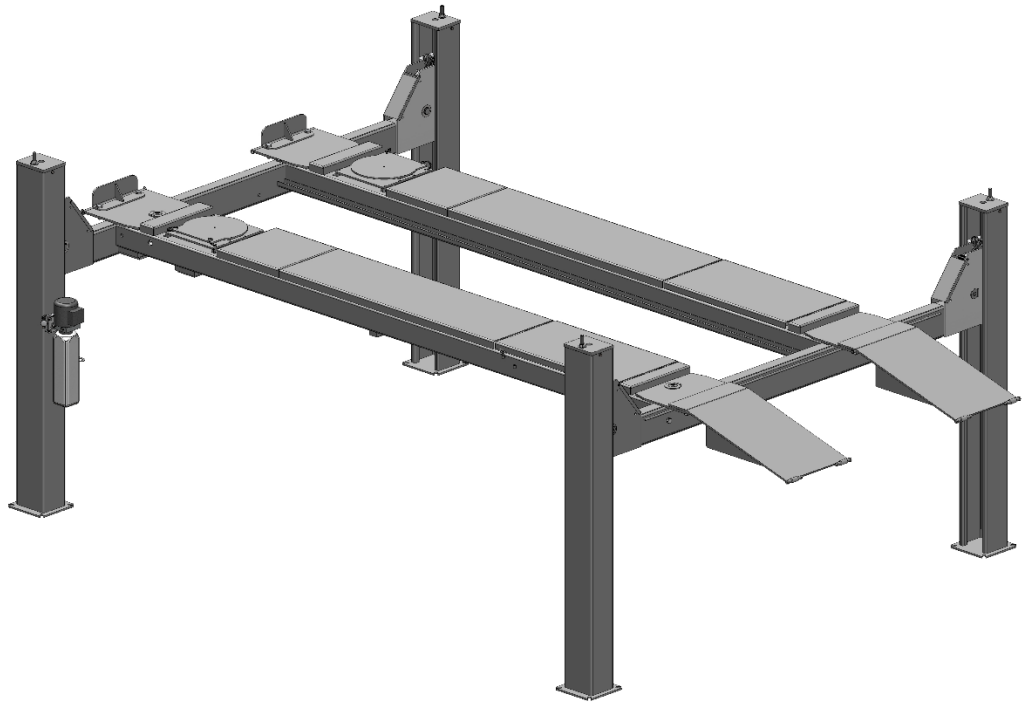
# Heavy-Duty, Four-Post Alignment Lift

## Installation and Operation Manual

Manual P/N 5900970 — Manual Revision D — April 2022

Model:

- HDS-18EA



Designed and engineered by BendPak Inc. in Southern California, USA. Made in China.

 **DANGER**

***IMPORTANT SAFETY INSTRUCTIONS, SAVE THESE INSTRUCTIONS!*** Read the ***entire contents*** of this manual ***before*** using this product. Failure to follow the instructions and safety precautions in this manual can result in serious injury or death. Make sure all other operators also read this manual. Keep the manual near the product for future reference. **By proceeding with installation and operation, you agree that you fully understand the contents of this manual and assume full responsibility for product use.**

**Manual.** HDS-18EA Heavy-Duty, Four-Post Alignment Lift, *Installation and Operation Manual*, Manual Part Number 5900970, Manual Revision D, Released April 2022.

**Copyright.** Copyright © 2022 by BendPak Inc. All rights reserved. You may make copies of this document if you agree that: you will give full attribution to BendPak Inc., you will not make changes to the content, you do not gain any rights to this content, and you will not use the copies for commercial purposes.

**Trademarks.** BendPak and the BendPak logo are registered trademarks of BendPak Inc. All other company, product, and service names are used for identification only. All trademarks and registered trademarks mentioned in this manual are the property of their respective owners.

**Limitations.** Every effort has been made to make sure complete and accurate instructions are included in this manual. However, product updates, revisions, and/or changes may have occurred since this manual was published. BendPak reserves the right to change any information in this manual without incurring any obligation for equipment previously or subsequently sold. BendPak is not responsible for typographical errors in this manual. Feel free to contact us at any time to get the latest information about any product: [bendpak.com](http://bendpak.com).

**Warranty.** The BendPak warranty is more than a commitment to you: it is also a commitment to the value of your new product. Contact your nearest BendPak dealer or visit [www.bendpak.com/support/warranty](http://www.bendpak.com/support/warranty) for full warranty details. Go to [bendpak.com/support/register-your-product/](http://bendpak.com/support/register-your-product/) and fill out the online form to register your product (be sure to click **Submit**).

**Safety.** Your product was designed and manufactured with safety in mind. However, your safety also depends on proper training and thoughtful operation. Do not install, operate, maintain, or repair the unit without reading and understanding this manual and the labels on the unit; **do not use your Lift unless you can do so safely!**

**Owner Responsibility.** In order to maintain your product properly and to ensure everyone's safety, it is the responsibility of the product owner to read and follow these instructions:

- Follow all installation, operation, and maintenance instructions.
- Make sure product installation conforms to all applicable local, state, and federal codes, rules, and regulations, such as state and federal OSHA regulations and electrical codes.
- Read and follow all safety instructions; keep them readily available for operators.
- Make sure all operators are properly trained, know how to safely operate the unit, and are properly supervised.
- Do not operate the product until you are certain that all parts are in place and operating correctly.
- Carefully inspect the product on a regular basis and perform all maintenance as specified.
- Service and maintain the unit with approved replacement parts only.
- Keep instructions permanently with the product and make sure all labels are clean and visible.
- **Only use the Lift if it can be used safely!**

**Unit Information.** Enter the Model Number, Serial Number, and the Date of Manufacture from the label on your unit. This information is required for part or warranty issues.

Model: \_\_\_\_\_

Serial: \_\_\_\_\_

Date of Manufacture: \_\_\_\_\_

|  |  |   |  |
|--|--|---|--|
| <b>BP BendPak</b>  |  | Santa Paula, CA USA<br><a href="http://www.bendpak.com">www.bendpak.com</a> |  |
| MODEL NUMBER   |  |   |  |
| DESCRIPTION  |  |   |  |
| LIFT CAPACITY  |  | DATE OF MFG.  |  |
| ROLLING JACK MAX CAP.  |  | MAX PSI / BAR   |  |
| VOLTAGE  |  | SERIAL NUMBER   |  |
| <input type="checkbox"/> 110-240V, 50-60 Hz, 1 Ph<br><input type="checkbox"/> 208-240V, 50-60 Hz, 1 Ph<br><input type="checkbox"/> 380-415V, 50-60 Hz, 3 Ph<br><input type="checkbox"/> 208-440V, 50-60 Hz, 3 Ph |  |   |  |
|  |  | UPC   |  |
| <b>DANGER!</b><br>Disconnect Power<br>Before Servicing   |  | CE EAC<br>WARRANTY VOID IF DATA PLATE IS REMOVED PN 5905953                 |  |

---

# Table of Contents

|                                     |           |                              |           |
|-------------------------------------|-----------|------------------------------|-----------|
| <b>Introduction</b> .....           | <b>3</b>  | <b>Installation</b> .....    | <b>12</b> |
| <b>Shipping Information</b> .....   | <b>4</b>  | <b>Operation</b> .....       | <b>61</b> |
| <b>Safety Considerations</b> .....  | <b>4</b>  | <b>Maintenance</b> .....     | <b>65</b> |
| <b>Additional Products</b> .....    | <b>5</b>  | <b>Troubleshooting</b> ..... | <b>67</b> |
| <b>Components</b> .....             | <b>6</b>  | <b>Wiring Diagram</b> .....  | <b>68</b> |
| <b>FAQs</b> .....                   | <b>8</b>  | <b>Labels</b> .....          | <b>69</b> |
| <b>Specifications</b> .....         | <b>9</b>  | <b>Parts Drawings</b> .....  | <b>74</b> |
| <b>Installation Checklist</b> ..... | <b>11</b> | <b>Maintenance Log</b> ..... | <b>81</b> |

## Introduction

This manual describes the BendPak HDS-18EA Alignment Lift, which is a heavy-duty, Four-Post Lift that can raise Vehicles up to 18,000 pounds (8,165 kg).

The HDS-18EA model is certified by the **Automotive Lift Institute (ALI)**.

This manual is mandatory reading for all users of the HDS-18EA, including anyone who installs, uses, maintains, repairs the Lift.

**⚠ DANGER** Use care when installing, operating, maintaining, or repairing this equipment; failure to do so could result in property damage, product damage, injury, or (in very rare cases) death. Make sure only authorized personnel operate this equipment. All repairs must be performed by an authorized technician. Do not make modifications to the unit; this voids the warranty and increases the chances of injury or property damage. Make sure to read and follow the instructions in this manual and on the labels on the unit.

Keep this manual on or near the equipment so that anyone who uses or services it can read it.

If you are having issues, refer to the **Troubleshooting** section of this manual for assistance.

Technical support and service is available from your dealer, on the Web at **bendpak.com/support**, by email at **support@bendpak.com**, or by phone at **(800) 253-2363**, extension 196. You may also contact BendPak for parts replacement information at **(800) 253-2363**, extension 191; please have the model and serial number of your unit available.

---

# Shipping Information

Your equipment was carefully checked before shipping. Nevertheless, you should thoroughly inspect the shipment **before** you sign to acknowledge that you received it.

When you sign a bill of lading, it tells the carrier that the items on the invoice were received in good condition. *To protect yourself, do not sign until **after** you have inspected the shipment.* If any of the items listed on the bill of lading are missing or are damaged, do not accept the shipment until the carrier makes a notation on the bill of lading that lists the missing and/or damaged goods.


If you discover missing or damaged goods **after** you receive the shipment and have signed the bill of lading, notify the carrier at once and request the carrier to make an inspection. If the carrier will not make an inspection, prepare a signed statement to the effect that you have notified the carrier (on a specific date) and that the carrier has failed to comply with your request.

It is difficult to collect for loss or damage after you have given the carrier a signed bill of lading. If this happens to you, file a claim with the carrier promptly. Support your claim with copies of the bill of lading, freight bill, invoice, and photographs, if available. ***Our willingness to assist in helping you process your claim does not make us responsible for collection of claims or replacement of lost or damaged materials.***

# Safety Considerations

***Read this entire manual carefully before installing or using the product.*** Do not install or operate the product until you are familiar with all operating instructions and warnings. Do not allow anyone else to operate it until they are familiar with all operating instructions and warnings. Keep this manual on or near the product for future reference.

Read and follow the warnings and instructions on the labels on the product. Contact BendPak at **(800) 253-2363** or [support@bendpak.com](mailto:support@bendpak.com) if you need replacement labels or a replacement manual.

 **WARNING** **California Proposition 65.** This product can expose you to chemicals including styrene and vinyl chloride which are on the list of over 900 chemicals identified by the State of California to cause cancer, birth defects or reproductive harm. **ALWAYS** use this product in accordance with BendPak's instructions. For more information go to [www.P65Warnings.ca.gov](http://www.P65Warnings.ca.gov).

## Safety Information

The following safety information applies to the HDS-18EA:


- Read and understand all safety warning procedures before operating the Lift.
- **The product is an alignment/service Lift.** Use it only for its intended purposes. Do not make any modifications to the product. Use only the manufacturer's recommended attachments. Visit the [Bendpak website](#) for additional information about all of our Lifts. While the Lift is being use, only the Operator may be within 30 feet of the unit.
- The product may only be operated by authorized, trained persons. Keep all untrained personnel away from the product.
- **Never** exceed the rated capacity of the Lift.
- When the Lift is in use, keep all body parts well away from it.

- 
- Make sure all operators read and understand this *Installation and Operation Manual*. **Keep the manual near the Lift at all times.**
  - Keep hair, loose clothing, fingers, and all body parts away from moving parts.
  - Care must be taken as burns can occur from touching hot parts.
  - Do not operate equipment with a damaged power cord or if the equipment has been dropped or damaged – until it has been examined by a qualified service person.
  - Do not let a cord hang over the edge of a table, bench, or counter or come in contact with hot manifolds or moving fan blades.
  - If an extension cord is necessary, a cord with a current rating equal to or more than that of the equipment should be used. Cords rated for less current than the equipment may overheat. Care should be taken to arrange the cord so that it will not be tripped over or pulled.
  - Always unplug equipment from electrical outlet when not in use. Never use the cord to pull the plug from the outlet. Grasp plug and pull to disconnect.
  - Let equipment cool completely before putting away. Loop cord loosely around equipment when storing.
  - To reduce the risk of fire, do not operate equipment in the vicinity of open containers of flammable liquids (gasoline).
  - To reduce the risk of electric shock or fire, never overload receptacles. Refer to the labels for the proper load on receptacles.
  - To reduce the risk of electric shock, do not use on wet surfaces or expose to rain.
  - Adequate ventilation should be provided when working on operating internal combustion engines.
  - **Always wear safety glasses!** Everyday glasses only have impact resistant lenses, they are not safety glasses.
  - Do not use the product while tired or under the influence of drugs, alcohol, or medication. BendPak recommends making a **thorough** inspection of the product at least once a year. Replace any damaged or severely worn parts, decals, or warning labels.
  - Make a visual inspection of the Lift **before** using it. Check for damaged, worn, or missing parts. Do not use the product if you find any of these issues. Instead, take it out of service, then contact an authorized repair facility, your dealer, or BendPak at **(800) 253-2363** or [support@bendpak.com](mailto:support@bendpak.com).
  - When the Lift is in use, keep all body parts well away from it.
  - Do not make any modifications to the Lift; this voids the warranty and increases the chances of injury or property damage.
  - Make sure all operators read and understand this *Installation and Operation Manual*. Keep the manual near the Lift at all times.
  - Save these instructions!

## Symbols

Following are the symbols used in this manual:

 **DANGER** Calls attention to an immediate hazard that **will** result in death or severe injury.

 **WARNING** Calls attention to a hazard or unsafe practice that **could** result in death or severe personal injury.

---

 **CAUTION**

Calls attention to a hazard or unsafe practice that could result in minor personal injury, product damage, or property damage.

**NOTICE**

Calls attention to a situation that, if not avoided, could result in product or property damage.



**Tip**

Calls attention to information that can help you use your product better.

## Liability Information

BendPak Inc. assumes **no** liability for damages resulting from:

- Use of the equipment for purposes other than those described in this manual.
- Modifications to the equipment without prior, written permission from BendPak.
- Injury or death caused by modifying, disabling, overriding, or removing safety features.
- Damage to the equipment from external influences.
- Incorrect operation of the equipment.

## Additional Products

There are additional products available to use with your Lift. These accessories are **not** ALI approved:

- **Aligner.** An Aligner is a hardware/software product that lets you perform wheel alignments. If you already have an Alignment Lift, like the HDS-18EA, simply purchase the Aligner and you can start performing wheel alignments.

Refer to the [Aligner page on the BendPak website](#) for more information.

- **Rolling Bridge Jack.** A Rolling Bridge Jack raises the wheels of a Vehicle off the Runways of a Lift, like an HDS-18EA, making it much easier to perform service such as brake jobs and suspension work while the Vehicle is still on the Lift.

You can raise two wheels off the Runways if you have one Rolling Bridge Jack. It takes two Rolling Bridge Jacks to raise all four wheels off the Runways.

Refer to the [Rolling Bridge Jack page on the BendPak website](#) for more information.

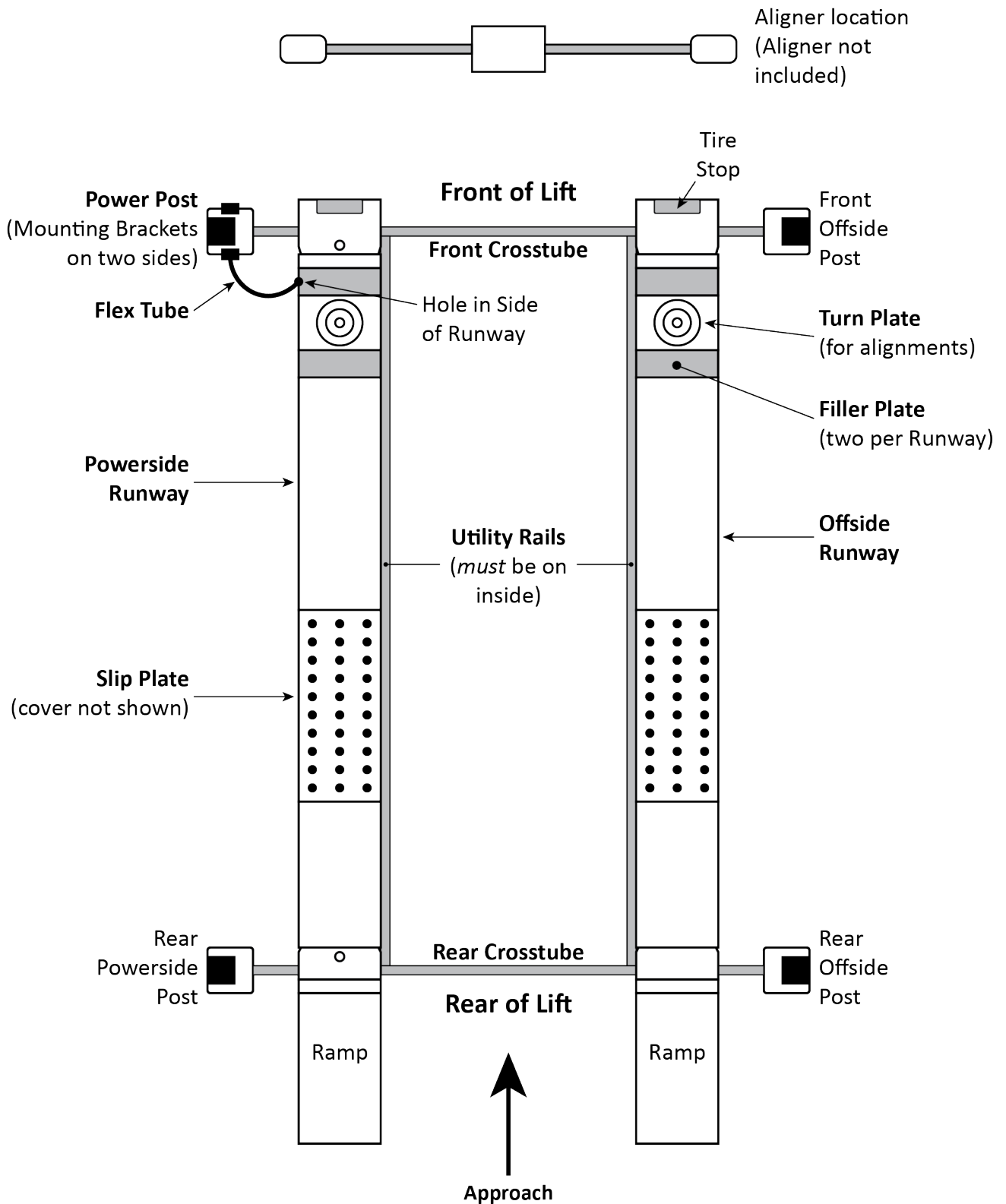
- **WSA-100 Air/Electric Workstation.** The Air/Electric Workstation adds air and electric capabilities to your Lift. It includes four electrical outlets and specialized air service outlets, among other features. Refer to the [WSA-100 Air/Electric Workstation page on the BendPak website](#) for more information. The WSA-100 SKU 5210438 is optimized for the HDS-18EA Alignment Lift.

---

# Components

The main components of your Lift include:

- **Power Post.** The Post that holds the Power Unit. ***You must put the Power Post in the Front left position*** (refer to the drawing on the following page for orientation information). You can tell the Power Post from the other Posts because it has two Mounting Brackets on it.
- **The other three Posts.** These Posts are interchangeable, although their Labels are different.
- **Power Unit.** An electric/hydraulic unit that connects to an electric power source and then provides Hydraulic Fluid to the Hydraulic Cylinder that raises and lowers the Runways.
- **Powerside Runway.** The Runway on the same side as the Power Post. The Powerside Runway has the Hydraulic Cylinder and the Cables under it.
- **Offside Runway.** The other Runway. It does *not* have an Hydraulic Cylinder or Cables under it.
- **Utility Rails.** Hold the optional Rolling Bridge Jacks. ***Utility Rails must go on the inside of the Lift.***
- **Crosstubes.** One at the Front of the Lift, one at the Rear. The Crosstubes are hollow; the Cables that raise and lower the Runways are routed through the Crosstubes. The Crosstubes are not interchangeable: the Front Crosstube has a small opening (called a 'Window') that faces the inside, the Rear Crosstube has a larger Window that also faces the inside of the Lift. ***Windows open to the inside of the Lift only.*** Cables go into the Crosstubes through the Windows.
- **Ramps.** One for each Runway. Use them to drive onto and off of the Runways.
- **Tire Stops.** Located at the Front of the Lift, Tire Stops prevent the Vehicle's front tires from going any further forward. Additionally, we strongly recommend chocking the Vehicle's rear tires.
- **Turn Plates.** Movable plates that go near the Front of each Runway; required for alignments. You must orient both Runways so that their Turn Plates are at the Front of the Lift, whether you are doing alignments or not.
- **Filler Plates.** Two per Runway, they sit on either side of the Turn Plate. Gives you the ability to align Vehicles with a wide variety of wheel sizes.
- **Slip Plate.** A large movable plate on both Runways towards the Rear of the Lift; used for alignments.
- **Safety Locks.** Once engaged, they hold the Runways in position, even if the power goes out or there is a leak in the Hydraulic Hoses. Your Lift has 9 Safety Locks, spaced every four inches (100 mm). This lets you lock the Lift at just the right height for what you want to do. The Lift also has a backup Slack Safety system; refer to [About Safety Locks](#) for more information. ***Only leave your Lift fully lowered or engaged on a Safety Lock.***
- **Pushbutton Air Valve.** This pushbutton activates pneumatic cylinders moving the Safety Locks away from the Ladder so that they do not engage as you lower the Runways.
- **Ladder.** A component that is installed at the back of each Post. Each Ladder has 9 openings in it, which are part of the Safety Lock system.
- **Aligner.** An optional, separate product that lets you perform Vehicle alignments. Refer to the [aligner page on the BendPak website](#) for more information.
- **Rolling Bridge Jacks.** An optional, separate product that raises wheels of the Vehicle on the Lift off the Runway, making it easier to perform brake jobs and suspension work while the Vehicle is still on the Lift. Refer to the [Rolling Bridge Jack page on the BendPak website](#) for more information.



Drawing not necessarily to scale. Some components not shown. Aligner is a separate product; it is not included with the Lift. The Front of the Lift is the end **opposite** the Ramps.



---

# Frequently Asked Questions

**Question:** What kinds of Vehicles can I put on my Lift?

**Answer:** Cars, trucks, SUVs; anything that fits on the Runways, up to 18,000 lbs. (8,165 kg).

**Q:** What is an 'alignment' Lift?

**A:** A Lift with special components that allow it to be used to perform automotive alignments. The HDS-18EA is an Alignment Lift. An alignment adjusts the angles of a Vehicle's wheels and suspension to the manufacturer's specifications, which generally reduces tire wear and helps the Vehicle drive without pulling to one side. The HDS-18EA can also be used as a Service Lift or a Parking Lift. A Service Lift gives access to the underside of a Vehicle for maintenance tasks. A Parking Lift lets you park one Vehicle on the Runways and a second Vehicle under the Runways.

**Q:** How long does it take to raise or lower the Runways?

**A:** About 75 seconds.

**Q:** Does the Lift have to be anchored in place?

**A:** If you are using it as an Alignment Lift, then yes, you must anchor it. If not, then it is up to you. A four-post Lift is pretty stable, but for safety reasons we recommend anchoring it.

**Q:** How high does the ceiling have to be?

**A:** It depends on the height of the Vehicles you are putting on the Runways and how high you raise the Runways. If you are going to put a tall Vehicle on the Runways and raise it all the way up, you should measure, in advance, to make sure there is enough room.

**Q:** Does it matter if I drive my Vehicles in front first or back them in?

**A:** We recommend driving your Vehicle in front first, because that makes it easier to center the Vehicle's wheels on the Runways. Nevertheless, you are not required to drive them in front first. Whichever way you drive the Vehicle in, remember to put the wheels at the Front of the Lift up against the Tire Stops and chock the wheels at the Rear.

**Q:** Will the Cables really hold my Vehicles?

**A:** Yes. Your Lift has .63 inch (16 mm) thick, aircraft-quality Cables (technically wire rope) that runs through oversized sheaves, reducing friction on them and extending their life with minimal maintenance.

**Q:** How long can I leave a Vehicle on a raised Runway?

**A:** As long as you want. Once the Lift is engaged on its Safety Locks, gravity holds it in position, so a loss of power does not make it come down; it is going to stay where you left it. You should always leave your Lift either fully lowered or engaged on its Safety Locks.

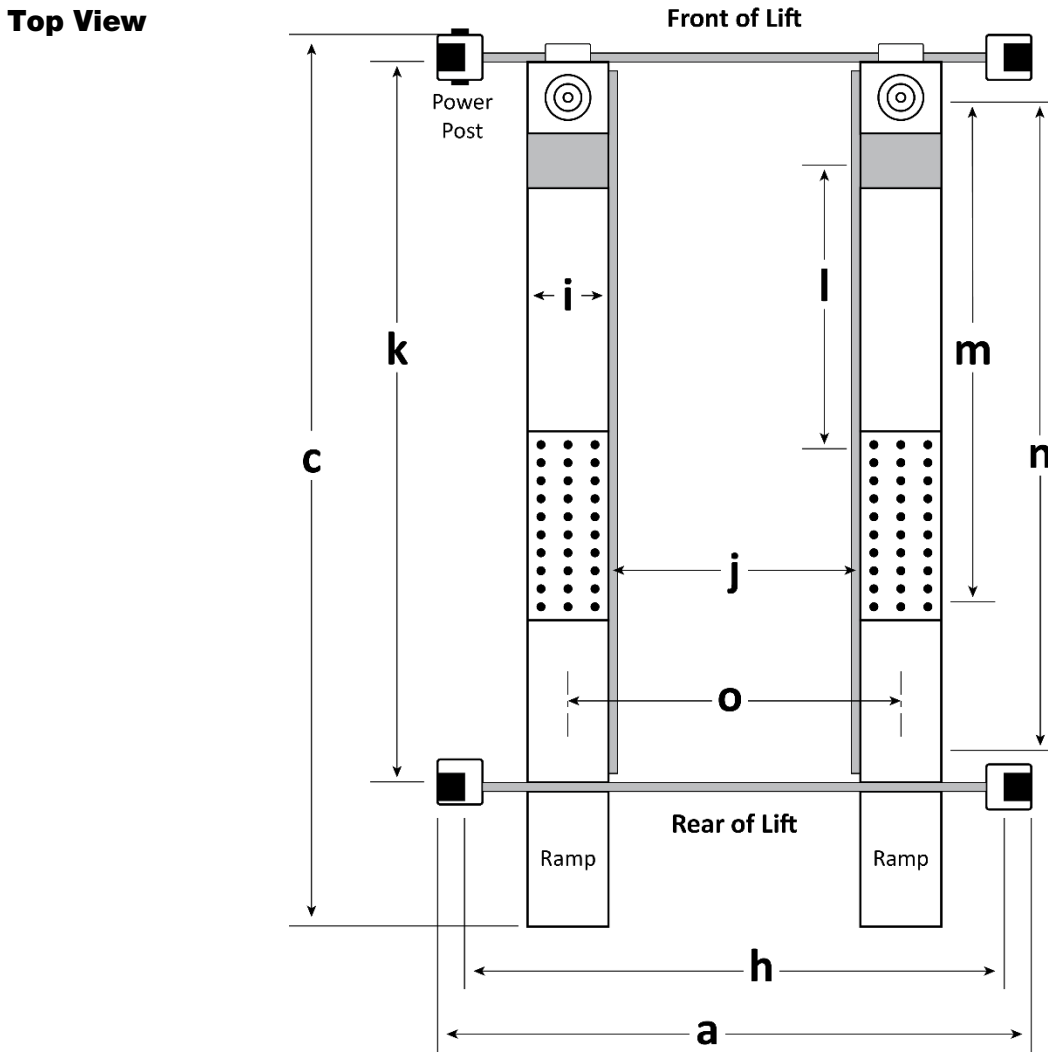
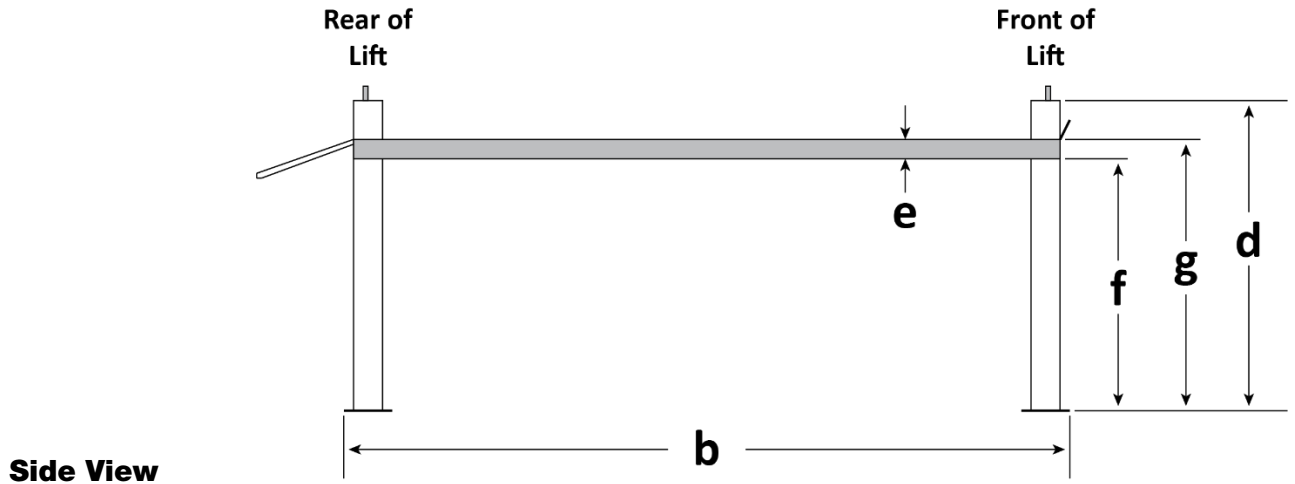
**Q:** Can I install my Lift outside?

**A:** Your Lift is approved for indoor installation and use only. ***Outdoor installation is prohibited.***

**Q:** How many Safety Lock positions does my Lift have?

**A:** 9, spaced every 4 inches / 100 mm.

# Specifications



| <b>Model</b>                                      | <b>HDS-18EA</b>             |
|---|-----------------------------|
| Lifting capacity                                  | 18,000 lbs / 8,165 kg       |
| Maximum capacity of front axle                    | 9,000 lbs / 4,082 kg        |
| Maximum capacity of rear axle                     | 9,000 lbs / 4,082 kg        |
| <b>a</b> Total width                              | 153.5" / 3,899 mm           |
| <b>b</b> Outside Posts length                     | 257" / 6,528 mm             |
| <b>c</b> Total length (includes ramps)            | 312.75" / 7,944 mm          |
| <b>d</b> Post height                              | 91.25" / 2,318 mm           |
| <b>e</b> Runway thickness                         | 10.5" / 267 mm              |
| <b>f</b> Maximum rise (height under Runways)      | 59" / 1,499 mm              |
| <b>g</b> Maximum lifting height                   | 71.75" / 1,822 mm           |
| <b>h</b> Distance between Posts                   | 133.5" / 3,391 mm           |
| <b>i</b> Runway width                             | 22" / 559 mm                |
| <b>j</b> Width between Runways, <sup>1</sup> min. | 40" / 1016 mm               |
| <b>j</b> Width between Runways, <sup>1</sup> max. | 45.5" / 1,156 mm            |
| <b>k</b> Runway length                            | 257.5" / 22 feet / 6,541 mm |
| <b>l</b> Min 4-wheel alignment <sup>2</sup>       | 83" / 2,108 mm              |
| <b>m</b> Max 4-wheel alignment <sup>2</sup>       | 138" / 3,505 mm             |
| <b>n</b> Max 2-wheel alignment <sup>2</sup>       | 211" / 5,359 mm             |
| <b>o</b> Runway Centerline Min.                   | 67" / 1,702 mm              |
| <b>o</b> Runway Centerline Max.                   | 72.5" / 1,842 mm            |
| Min. wheelbase @ rated capacity <sup>3</sup>      | 185" / 4,699 mm             |
| Min. wheelbase @ 75 capacity <sup>3</sup>         | 160" / 4,064 mm             |
| Min. wheelbase @ 50 capacity <sup>3</sup>         | 135" / 3,429 mm             |
| Min. wheelbase @ 25 capacity <sup>3</sup>         | 110" / 2,794 mm             |
| Locking positions                                 | 9, spaced every 4" / 102 mm |
| Lifting time                                      | ~75 seconds                 |
| Motor <sup>4</sup>                                | 220 VAC, 60 Hz, 1 Ph        |

<sup>1</sup> May be limited if you are using Rolling Bridge Jacks.

<sup>2</sup> Can vary depending on wheel size.

<sup>3</sup> The Lift supports less weight than its rated capacity when the Vehicle's wheelbase is shorter; this is because the wheels of such a Vehicle are closer to the middle of the Runways, where there is less strength. For example, the maximum weight allowed on the Lift for a Vehicle with a wheelbase of 135" is 50 percent of the Lift's rated capacity (9,000 lbs when the rated capacity is 18,000 lbs).

<sup>4</sup> Special voltages available on request.

***Specifications subject to change without notice.***

---

# Installation Checklist


Following are the steps required to install your Lift. Perform them in the order shown.

- 1. Review the installation safety rules.
- 2. Make sure you have the necessary tools.
- 3. Plan for electrical work.
- 4. Select the installation location.
- 5. Unload and unpack the Lift components.
- 6. Create Chalk Line Guides.
- 7. Move the Posts into position.
- 8. Install the Crosstubes.
- 9. Install the Ladders.
- 10. Raise the Crosstubes.
- 11. Secure the Ladders.
- 12. Install the Runways.
- 13. Install the first end of the Flex Tube.
- 14. Install the Return Line.
- 15. Install the Air Lines.
- 16. About Hydraulic Fluid Contamination.
- 17. About Thread Sealants.
- 18. Install the Hydraulic Hose.
- 19. Route the Cables.
- 20. Install the Power Unit and other components.
- 21. Install the other end of the Flex Tube.
- 22. Install the Pushbutton Air Valve and connect the Air Line.
- 23. Connect the Return Line.
- 24. Connect the Hydraulic Hose.
- 25. Contact the Electrician.
- 26. Connect to a Power Source (***Electrician required***).
- 27. Install the Power Disconnect Switch and Thermal Disconnect Switch (***Electrician required***).
- 28. Anchor the Posts.
- 29. Perform final Leveling.
- 30. Install the Accessories.
- 31. Lubricate the Lift.
- 32. Bleed the Hydraulic Cylinder.
- 33. Perform an Operational Test.
- 34. Review the Final Checklist.
- 35. Leave the manual for the owner/operator.

---


# Installation

The installation process takes multiple steps. Perform them in the order listed. **Read the entire *Installation section before beginning the install***, this gives you a better understanding of the process as a whole.


 **WARNING** **Only use the factory-supplied parts that came with your Lift.** If you use parts from a different source, you void your warranty and compromise the safety of everyone who installs or uses the Lift. If you are missing parts, visit [bendpak.com/support](https://bendpak.com/support) or call **(800) 253-2363**, extension 191.

## Being Safe

While installing this equipment, your safety depends on proper training and thoughtful operation.

 **WARNING** Do not install this equipment unless you have automotive Lift installation training. Always use proper lifting tools, such as a Forklift or Shop Crane, to move heavy components. Do not install this equipment without reading and understanding this manual and the safety labels on the unit.

Only fully trained personnel should be involved in installing this equipment. Pay attention at all times. Use appropriate tools and lifting equipment. Stay clear of moving parts.

 **WARNING** You **must** wear OSHA-approved (publication 3151) personal protective equipment at all times when installing, using, maintaining, or repairing the Lift: leather gloves, steel-toed boots, eye protection, back belts, and hearing protection are **mandatory**.

## Using Tools

You may need some or all of the following tools:

- Rotary hammer drill (or similar)
- 3/4 inch carbide bit (conforming to ANSI B212.15)
- Hammer, crow bar, and two sawhorses
- Four-foot level and 12-foot ladder
- Open-end wrench set, SAE and metric
- Socket and ratchet set, SAE and metric
- Hex key wrench set
- Medium crescent wrench, torque wrench, pipe wrench
- Chalk line
- Medium-sized flat screwdriver and needle-nose pliers
- Tape measure (25 feet or above)
- Forklift or Shop Crane

---

## Planning for Electrical Work

You will need to have a licensed, certified Electrician available at some point during the installation.

**⚠ DANGER** All wiring *must* be performed by a licensed, certified Electrician, in accordance with all local, state and national Electrical Codes.

Notify your Electrician in advance so that they come prepared with an appropriate cable for connecting to the power source, a plug for the Power Unit, a Power Disconnect Switch, and a Thermal Disconnect Switch. Refer to **Contacting the Electrician** for more information.

Your Electrician will need to:

- **Connect an electric power source to the Power Unit.** A 220 VAC power source is required. Your Electrician will need to put an appropriate plug on the wiring on the Power Unit and provide a power cable from the power source to the Power Unit.
- **Install a Power Disconnect Switch.** Ensures you can quickly and completely interrupt electrical power to the Lift in the event of an electrical circuit fault, emergency situation, or when equipment is undergoing service or maintenance. Put it within sight and reach of the Lift operator.
- **Install a Thermal Disconnect Switch.** Ensures the equipment shuts down in the event of an overload or an overheated motor.

## Selecting a Location

When selecting the location for your Lift, consider:

- **Architectural plans.** Consult the architectural plans for the desired installation location. Make sure there are no issues between what you want to do and what the plans show.
- **Available space.** Make sure there is enough space for the Lift: front, back, sides, and above. Refer to **Specifications** for measurements.
- **Overhead obstructions.** Check for overhead obstructions such as building supports, heaters, electrical lines, low ceilings, hanging lights, and so on. ***You do not want the Vehicles on the Lift hitting obstructions.*** As a general rule, the Lift location should have 80 inches of height plus the height of the tallest Vehicle you plan on raising.
- **Side and front clearances.** You must leave room around the Lift. Leave at least five feet (60 inches) clear on each side, three feet (36 inches) clear on the Front of the Lift (you will need more for the alignment equipment if you have an Aligner), and no obstructions at all at the Rear of the Lift (so you can safely drive Vehicles onto the Runways).
- **Power.** You need a 220 VAC power source available for the Power Unit.
- **Outdoor installations.** Your Lift is approved for indoor installation and use only. Outdoor installation is prohibited.
- **Floor.** Only install the Lift on a flat, concrete floor; do not install on asphalt or any other surface. The surface must be level; do not install if the surface has more than three degrees of slope.

**⚠ WARNING** Installing your Lift on a surface with more than three degrees of slope could lead to injury or even death. Only install the Lift on a level floor (defined as no more than 3/8 of an inch difference over the installation area). If your floor is not level, consider making the floor level or using a different location.

- **Shimming.** If your concrete floor is not completely level, you can use Shims under the bases of the Posts, as needed, to level the Lift.

---

**NOTICE** Because your Lift is an Alignment Lift, you want to ***make it as level as possible***. You can level your Lift in two ways: first, by shimming the Posts and second by adjusting the Nuts at the top of the Ladder. Both methods are covered in the installation instructions, shimming near the beginning of the install, adjusting towards the end.

To estimate your Shim requirements, use a transit level and targets to check for flatness. Use the provided Shims as necessary.

**NOTICE** Do not shim a Post more than half an inch using the provided Shims and Anchor Bolts. A maximum shim of 2 inches is possible by ordering optional Shim Plates. Contact BendPak at **(800) 253-2363**, extension 191 to order. Please have the model and serial number of your Lift available.

- **Concrete specifications.** Do not install the Lift on cracked or defective concrete. Make sure the concrete is at least 4.25 inches thick, 3,000 PSI, and cured for a minimum of 28 days.

**CAUTION** BendPak Lifts are supplied with installation instructions and concrete anchors that meet the criteria set by the American National Standard “Automotive Lifts – Safety Requirements for Construction, Testing, and Validation”, ANSI/ALI ALCTV. You are responsible for any special regional structural and/or seismic anchoring requirements specified by any other agencies and/or codes such as the Uniform Building Code (UBC) and/or International Building Code (IBC).

Be sure to check your floor for the possibility of it being a ***post-tension slab***. In this case, you must contact the building architect before drilling. Using ground penetrating radar may help you find the tensioned steel.

**WARNING** Cutting through a tensioned cable can result in injury or death. Do not drill into a post-tension slab unless the building architect confirms you are not going to hit tensioned steel or you have located it using ground penetrating radar. ***If colored sheath comes up during drilling, stop drilling immediately.***

## Unloading and Unpacking

Try to have the components of the Lift unloaded near the installation location.

Once the components are unloaded, they are your responsibility to move around. As the Lift includes a number of heavy pieces, the closer you unload them to the installation location, the better off you are.

**CAUTION** Some Lift components are very heavy; if handled incorrectly, they can damage materials like tile, sandstone, and brick. Try to handle the Lift components just twice: once when delivered and once when moved into position. You must have a Forklift or Shop Crane to move them into position. Use care when moving them.

**WARNING** The Posts and Runways are delivered with stabilizing structures on each end. Be very careful when removing these stabilizing structures; the Posts and Runways can shift or even fall. If they fall on a person, they can cause serious injury.

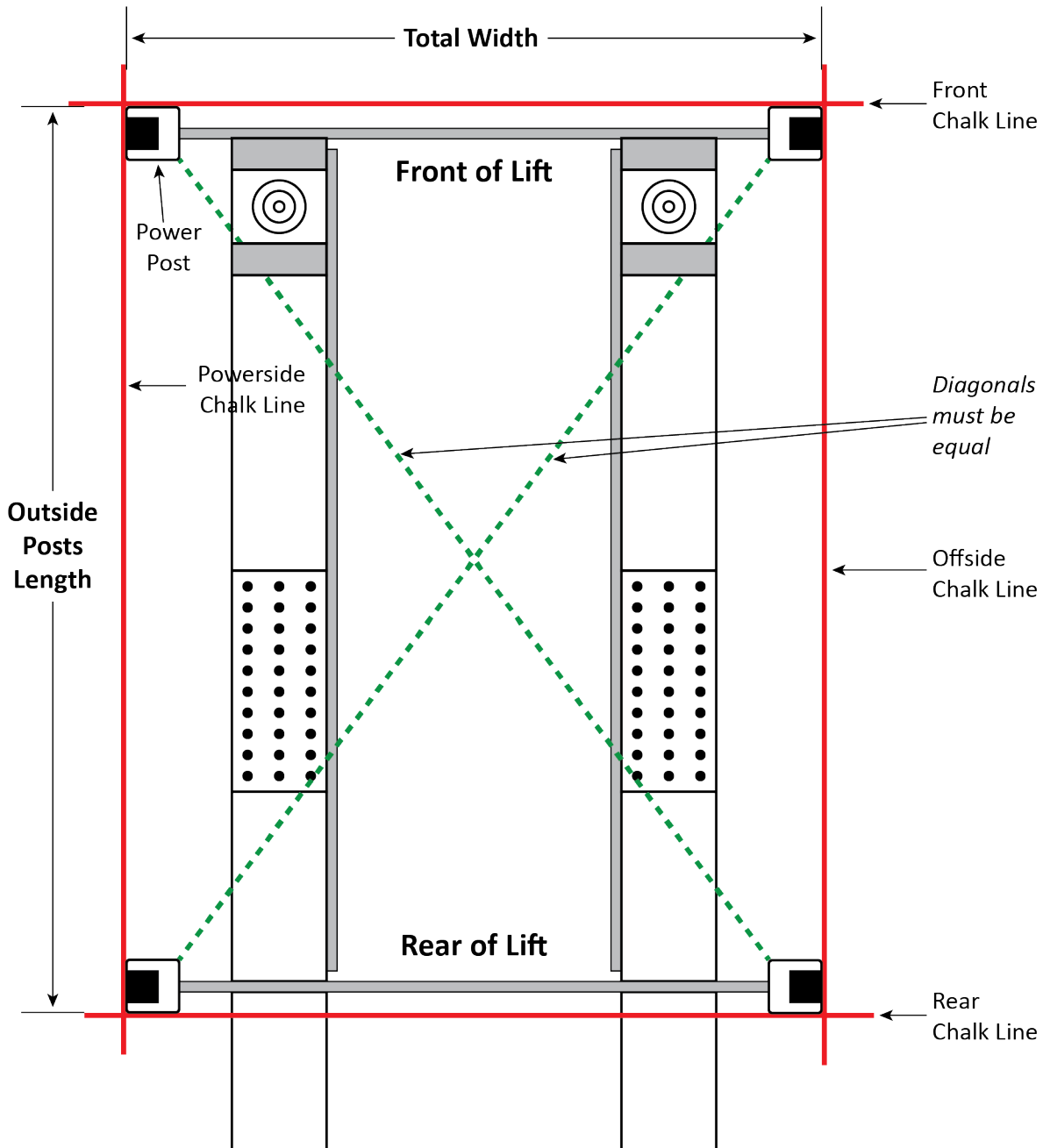
## Creating Chalk Line Guides

Use Chalk Line Guides to ensure that your Posts are installed correctly.

Create the Chalk Line Guides so that the outside edges of all four Post bases fit into the corners created by the Chalk Line Guides.

Refer to **Specifications** to determine the **Total Width** and **Outside Post Length** values for your Lift.

**Note:** Do *not* use the Total Length value; this includes the Ramps, which are not taken into consideration for creating Chalk Line Guides.



*Drawing not to scale. Some components removed for clarity.*



---

## To create Chalk Line Guides:

1. Create the Front Chalk Line where you want the Front of the Lift.

Make the Front Chalk Line longer than the Total Width setting for your Lift model.



### Tip

If you are going to be using the Lift to do alignments, remember to leave room at the Front of the Lift for the alignment equipment.

2. Create the Powerside and Offside Chalk Lines at 90° angles to the Front Chalk Line and parallel to each other. Make the Powerside and Offside Chalk Lines longer than the Outside Posts Length setting for your Lift model.

The Powerside and Offside Chalk Lines must be parallel to each other.

*Measure to verify that this is true.*

3. Create the Rear Chalk Line parallel to the Front Chalk Line. Make the Rear Chalk Line longer than the Total Width setting for your Lift model.

The Front and Rear Chalk Lines must also be parallel to each other.

*Measure to verify that this is true.*

4. Before moving the Posts into position, measure **diagonally** to make sure the two diagonal measurements are the same. This ensures your layout is correct.

***Do not forget to check the diagonals.***

5. When you move the Posts into position, put the outside edges of the bases inside the corners created by the Chalk Line Guides.

## Moving the Posts into Position

Use a Forklift or Shop Crane to move the Posts. You need to have at least two people work together to stand up the Posts.

**⚠ DANGER** The Posts are very heavy and awkward; be very careful when handling them. ***If they fall on a person, they will cause injury.***

### To move the Posts into position:

1. Using a Forklift or Shop Crane, move the four Posts, one at a time, to the inside corners of the Chalk Line Guides.

**Important:** Position the Power Post at its **required** location. The other three Posts can go at any of the remaining Post locations. They are identical, but for the Labels on them.

2. Stand up each Post. Have at least two people work together to stand up a Post.

**⚠ CAUTION** Use caution when walking around the Posts; they are not anchored down at this point, so it is possible to knock them over, which could cause injury.

3. Use a Transit Level to estimate the Shim requirements: use a target to find the difference in height between the Posts. The difference is the estimated amount of Shim thickness you will need.

Do not use Shims and/or Anchor Bolts to Shim more than half an inch per Post. You can order 2 inch **Shim plates** for extreme cases.

- 4. Do not anchor the Posts at this point.**

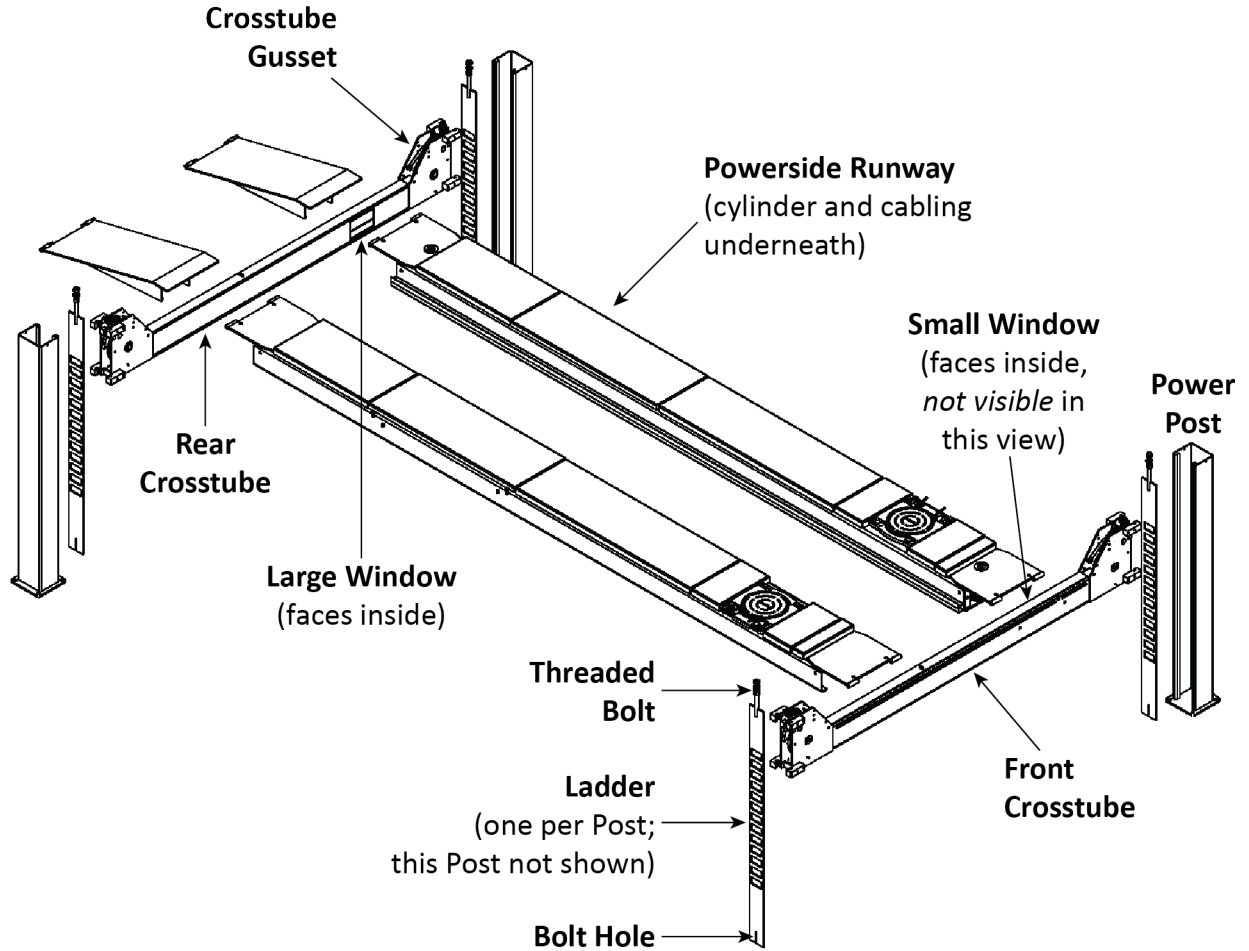
## Installing the Crosstubes

Your Lift has two Crosstubes:

- **Front Crosstube:** Has the Small Window, where two Cable Sheaves go. Located at the Front of the Lift, with the Window facing the inside.
- **Rear Crosstube:** Has the Large Window, where four Cable Sheaves go. Located at the Rear of the Lift, with the Window facing the inside.

Both Crosstubes are hollow, which allows the Cables to be run through them to the Posts.

The following drawing shows both Crosstubes and additional components.



*Drawing not to scale. Some components removed for clarity.*

Crosstubes have a Crosstube Gusset on both ends, for a total of four Crosstube Gussets per Lift.

---

## To install the Crosstubes:

1. Orient the Crosstubes in their required locations:
  - **Front Crosstube:** must be at the Front of the Lift with the *Small Window facing the inside*.
  - **Rear Crosstube:** must be at the Rear of the Lift with the *Large Window facing the inside*.

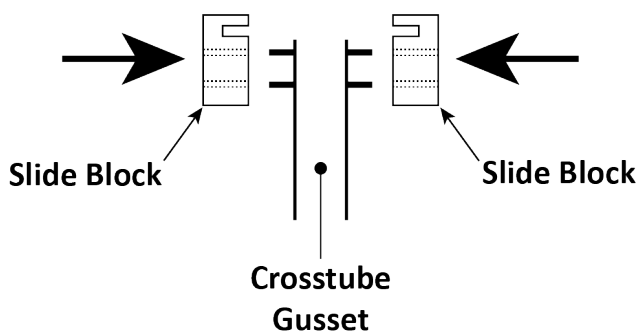
Both Windows must be on the Powerside.

The Crosstubes **must** be installed in these orientations.

2. Put the Slide Blocks into place on the outside ends of each Gusset (**4 Slide Blocks per Gusset**, 16 total for the Lift).

Align the holes in the Slide Blocks with the rods on the sides of the Gusset, then press the Slide Blocks in. Make sure the Slide Blocks are oriented so that they create a Slot when pushed in.

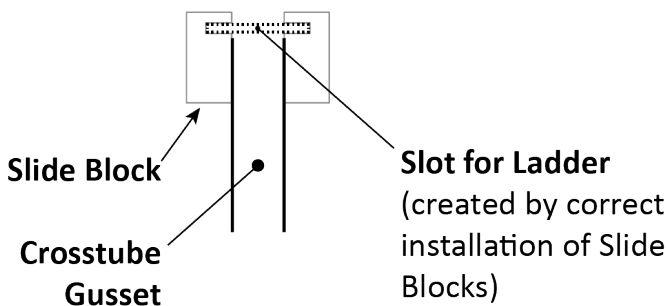
The following drawing shows how to correctly install two Slide Blocks onto a Gusset.



The four Slide Blocks on a Gusset, when put into place, create two Slots. There is one Slot at the top of the Gusset and a second Slot at the bottom; the Ladders, when you install them, **must** go through **both** Slots on the Gusset.

- ⚠ WARNING** If the Slide Blocks are not correctly installed, then the Slots for the Ladder are not created. In such a case, the Safety Locks will not work correctly, which endangers everyone who uses the Lift. Make sure to correctly install the Slide Blocks.

The following drawing shows the Slot created by two Slide Blocks.



3. Using a Forklift or Shop Crane, raise the Crosstube with the Slide Blocks installed above the top of the two Posts that it goes between, lower it to just over the top of the Post, orient the Slide Blocks over the openings in the Posts, then slide the Crosstube down.
4. Perform Steps 2 and 3 for the second Crosstube.

---

## About Safety Locks

Safety Locks hold the Runways in place. Once engaged, Safety Locks hold the Runways in place even if the power goes out or the Hydraulic Hoses break or leak. Your Lift has 9 Safety Lock positions, spaced every four inches / 100 mm. Each Post has its own Ladder and set of Safety Locks.

**Important:** Simply raising the Runways does not necessarily **engage** them on the Safety Locks. You must back the Runways down onto the Safety Locks to engage them.

**⚠ WARNING** Safety Locks are dependent on correct installation of the Ladders. Pay careful attention when installing the Ladders.

The Ladders, one per Post, are steel assemblies with 9 openings spaced every four inches / 100 mm. As you raise the Runways, the Safety Locks move into the openings in the Ladder; these are the sounds you hear when the Runways are moving. When you move the Runways back down a little after passing a Safety Lock, the Safety Locks engage. Once they are engaged, Safety Locks stay engaged until you are ready to lower the Runways. Even if the power goes out or one of the Hydraulic Hoses breaks or leaks, the engaged Safety Locks hold the Runways in place.

**⚠ WARNING** Always leave the Runways either fully lowered or engaged on their Safety Locks. When you engage the Safety Locks at a desired height, check to make sure that all four Safety Locks (one per Post) are engaged.

How do the Runways come down if you have engaged the Safety Locks? To lower the Runways, you raise them a few inches (moving them off the Safety Locks), then **press and hold down** the Pushbutton Air Valve. While you hold down the pushbutton, the Safety Locks are moved away from the Safety Ladders; in this position, they cannot engage, which allows the Runways to be lowered.

Out of an abundance of caution, your Lift has a second, independent Safety Lock system called the Slack Safeties.

The Slack Safeties are physically located next to the Safety Locks on the ends of the Crosstube Gussets. They are different from the Safety Locks in that when the Cables are taut (which they are during normal operation), they hold the Slack Safeties away from the Ladder so that the Slack Safeties cannot engage. However, if a Cable were to break (which very rarely happens), the Slack Safety for the broken Cable immediately engages, preventing the Runways from falling.

## Installing the Ladders and Top Cap

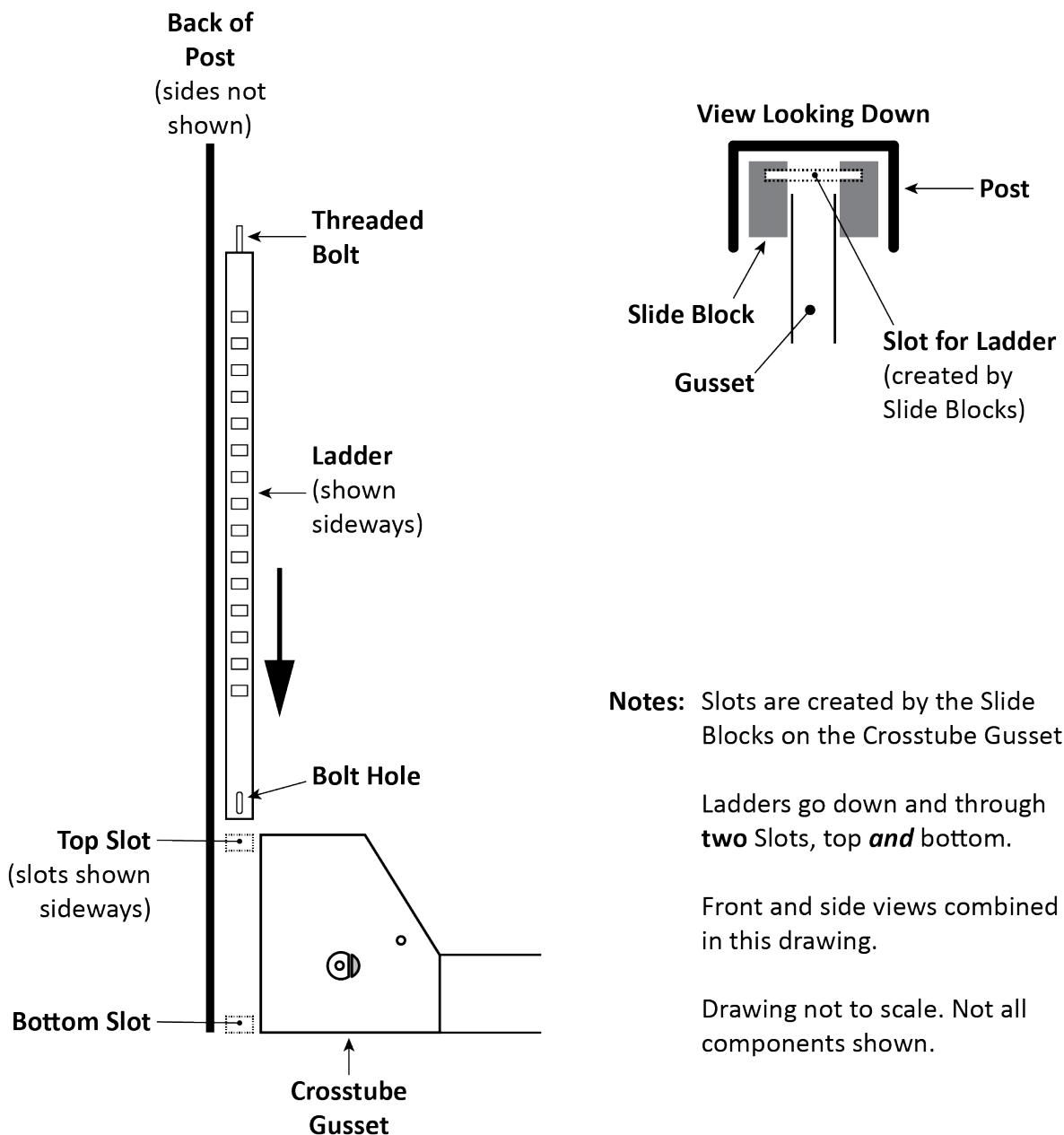
Your Lift has four Ladders (one per Post); each gets installed on the inside back of a Post. Ladders are secured at the top and the bottom.

The Top Caps secure the Ladder at the top of each Post and hold the ends of the Cables.

**Note:** It is much easier to secure the bottom of the Ladders once the Crosstubes have been raised, so that portion of installing the Ladders is described in **Securing the Ladders**.

Each Ladder has 9 openings in it, spaced four inches / 100 mm apart; these holes are the Safety Locks. Each Ladder has a Bolt Hole at the bottom and a Threaded Bolt at the top.

**⚠ WARNING** Make sure to install the Ladders correctly. If they are not installed correctly, the Safety Locks on your Lift may not hold the weight of a Vehicle, putting anyone under the Lift in danger.



**Notes:** Slots are created by the Slide Blocks on the Crosstube Gusset.

Ladders go down and through **two** Slots, top **and** bottom.

Front and side views combined in this drawing.

Drawing not to scale. Not all components shown.

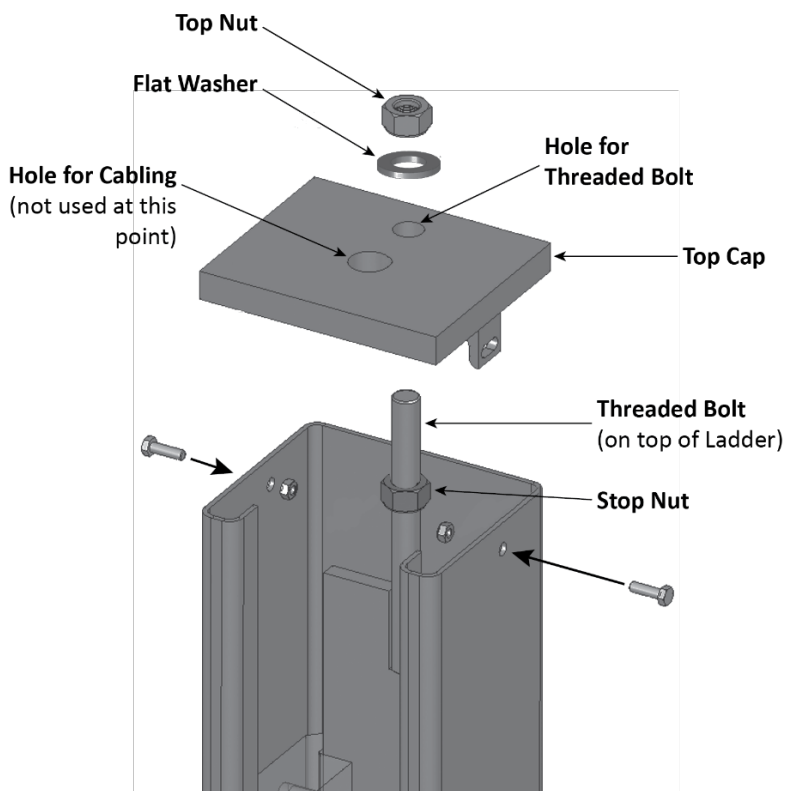
## To install the Ladders and the Top Cap:

1. Take a Ladder and slide it down the back of the Post, Bolt Hole end at the bottom; see the drawing on the previous page.

**Make sure the Ladder goes through both Slots on each Gusset.** There is a Slot at the top of the Gusset and another Slot at the bottom of the Gusset, formed by the Slide Blocks.

**⚠ WARNING** Make sure the Ladders go through both Slots on their Gussets. If the Ladders are not installed correctly, the Safety Locks on your Lift may not hold the weight of a vehicle. If the Vehicle were to fall, it could cause significant injury to anyone underneath it.

2. Install the other three Ladders the same way.
3. For each Ladder, put a Stop Nut on the Threaded Bolt at the top; move it half of the way down towards the top of the Ladder.



4. Put a Top Cap onto the top of the Post, securing it on the sides with one Hex Head Bolt and one Nyloc Nut on each side of the Top Cap.
5. Once the Top Cap is secure, move the Stop Nut up until it contacts the underside of the Top Cap, then add a Flat Washer and Nyloc Nut to the top of the Top Cap and tighten it. Only hand tighten at this point.

You are looking for about an inch of thread above the top of the Top Nut.

**Note:** The other hole in the Top Cap is for the Cable that is routed to the top of the Post, which is done later in the installation.

6. Install the other three Top Caps the same way.

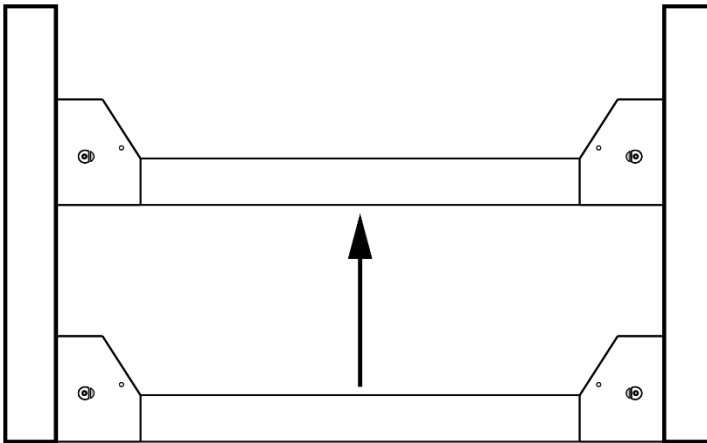
## Raising the Crosstubes

You need to manually raise both Crosstubes, which makes it easier to complete the rest of the installation tasks. Both Crosstubes need to be raised the same amount, to the same Safety Lock.

### To raise the Crosstubes:

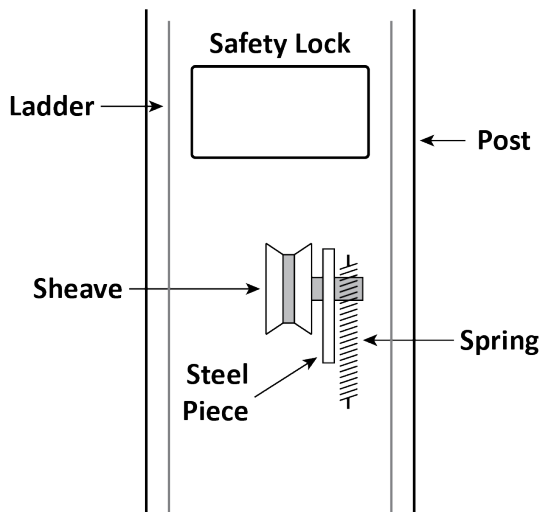
1. Using a Forklift or Shop Crane, **carefully** raise each Crosstube.

Move the Crosstubes up enough so that you can work under the Runways (when you install them), which makes it easier to route the Cables, Return Line, Air Lines, and Hydraulic Hose.



**Important:** Because the Cables are not in place yet, the Slack Safeties are going to engage when you manually raise the Crosstubes. They cannot stay engaged as you continue with the installation; you need to disengage them right after you raise the Crosstubes. The Primary Safeties are not impacted; they will engage normally when you manually raise each Crosstube, which is what you want.

2. To disengage the Slack Safeties after raising a Crosstube, press the Sheave and/or the Steel Piece (they are connected and will move together) back towards the Ladder and the back of the Post.



3. Once both Crosstubes are in position, all Primary Safeties are engaged, and the Slack Safeties have been disengaged, you can continue with the installation.

---

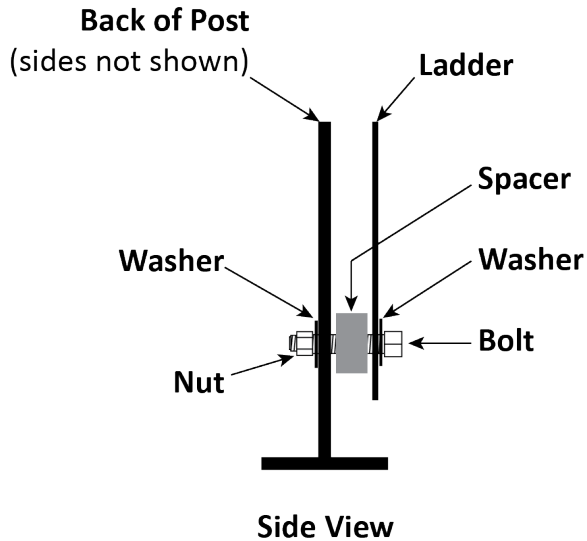
## Securing the Ladders

Because it is much easier to secure the Ladders at the bottom of each Post **after** the Crosstubes have been raised, that procedure is described here.

**Note:** The following procedure assumes that the Ladders are in place and secured at the top. If this is not the case, return to **Installing the Ladders**.

### To secure the Ladders:

1. Locate a Bolt, Washer, Spacer, second Washer, and Nut.



*Drawing not to scale. Some components removed for clarity.*

2. Put a Washer next to the Bolt head, then insert the Bolt just through the elongated Bolt Hole near the bottom of the Ladder.
3. Put the Spacer into position between the Ladder and the back of the Post.
4. Push the Bolt through the Spacer and then through the back of the Post.
5. Take the second Washer and the Nut and install them on the end of the Bolt; secure the Nut.
6. Perform the same procedure to secure the other three Ladders on the Lift.

**Note:** Do not securely tighten the Top Nut at the top of the Top Cap at this point. The Top Nut and the Stop Nut will be used later to make sure the Lift is level. They can be securely tightened after you do the final leveling of the Lift; refer to **Final Leveling** for additional information.



## Installing the Runways

Your Lift has two Runways:

- **Powerside Runway:** Has the Lift's Hydraulic Cylinder underneath it. Gets bolted into position. Has a hole on the outside (near the Front of the Lift) that lets you route the Hydraulic Hose, Air Lines, and Return Line to the Power Unit. Cable routing starts under the Powerside Runway.
- **Offside Runway:** Is not bolted into position, so you can adjust the width between Runways; the Stop Block prevents it from moving too far to the middle.

Orient the two Runways this way:

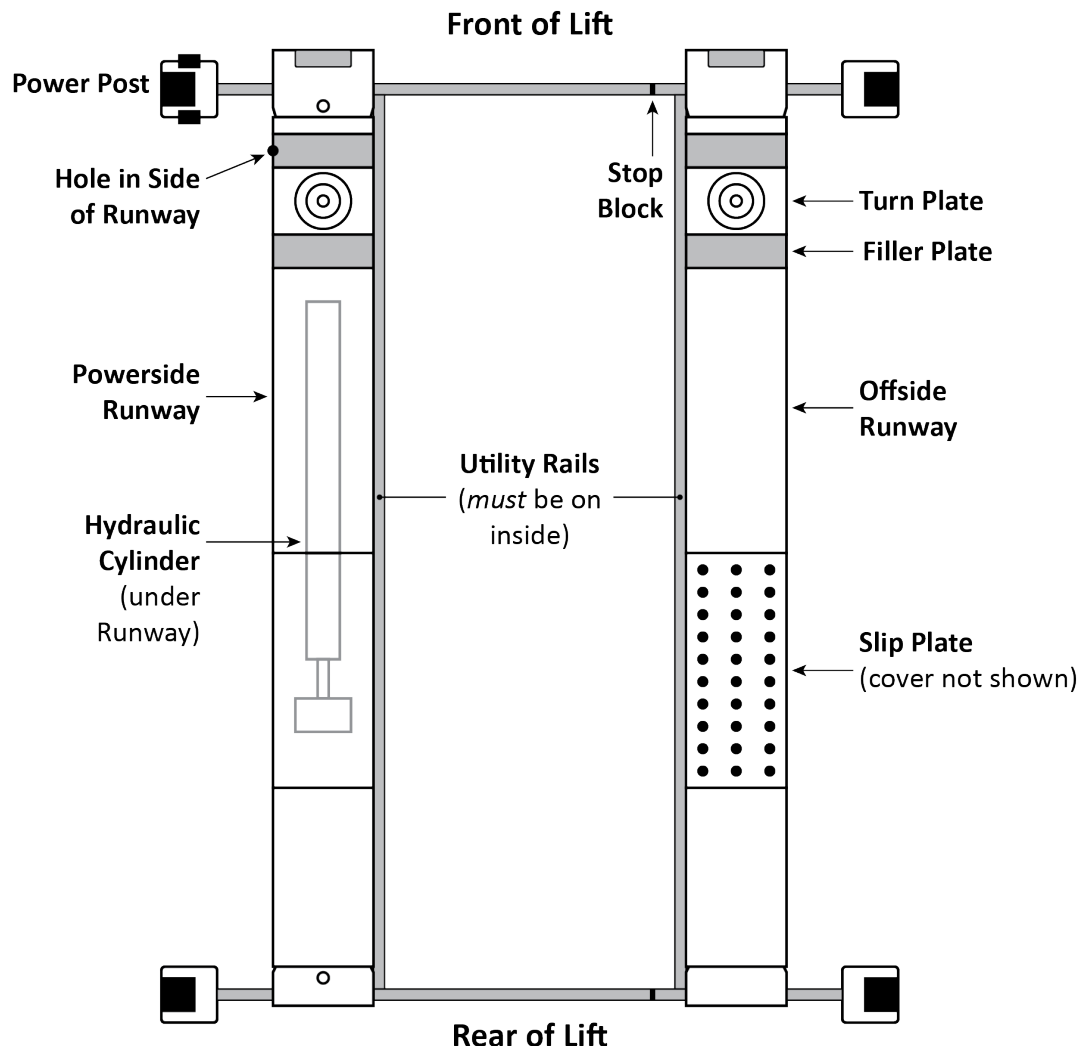
- Turn Plates at the Front of the Lift (the end opposite the Ramps)
- Utility Rails on the inside

This puts the Powerside Runway on the left and the Offside on the right, which is what you want.

You can double check this by:


- Looking under the Runways. Only the Powerside Runway has a Hydraulic Cylinder underneath.
- Finding the ~1.5-inch wide hole in the side of the Powerside Runway at the Power Post. There is only one hole, it is only on the outside of the Powerside Runway, and it is next to the Power Post.

The following drawing shows the correct orientation of the Runways.



---

Use a Forklift or Shop Crane to raise the Runways and move them into position.

 **WARNING** Pay close attention when moving the Runways into position; they are extremely heavy and long, which means they are awkward to move and could shift position or fall, potentially causing serious injury.

**To install the Runways:**

1. Check the two Runways so that you know which is the Powerside Runway and which is the Offside Runway.

See the previous page for more information.

2. On the Powerside Runway, remove the Cable Sheaves at both ends.

To remove the Cable Sheaves: unscrew the Sheave Pin Lock Screw (on the top of the Sheaves) and pull out the Sheave Pin, then remove the Cable Sheaves from underneath the Runway.

There are four Cable Sheaves at the Rear of the Lift (the Ramp end) and two Cable Sheaves at the Front of the Lift. You need to remove all six.

**Note:** Keep all of the components nearby, you will be putting them back in shortly.

3. When all six Cable Sheaves have been removed, use a Forklift or Shop Crane to pick up the Powerside Runway and move it into place on top of the two Crosstubes on the Powerside of the Lift.

***Verify the Utility Rail on one the Powerside Runway will face the Utility Rail on the Offside Runway.***

4. Bolt the Powerside Runway into place: two Bolts/Nuts on each end.


These Bolts go into the Crosstube from the outside and through the Runway structure; the Nut goes on under the Runway.


5. Using a Forklift or Shop Crane, pick up the Offside Runway and move it into place on top of the two Crosstubes between the Stop Blocks and the Crosstube Gusset.

***Verify the Offside Utility Rail will face the Utility Rail on the Powerside Runway.***

The Offside Runway does not have any Cable Sheaves that need to be removed, nor does it bolt into place.

6. Double check all Safety Locks to make sure they are still engaged.

 **WARNING** Do **not** allow personnel under the Runways unless the Safety Locks are engaged.

 **WARNING** Do not continue with the installation until you have visually confirmed that all four Safety Locks are engaged. If they are not engaged, the Runways could move or fall, possibly causing personal injury or product damage.

---

## Installing the Flex Tube

The Flex Tube is a flexible, black tube that attaches to a hole on the Powerside Runway on one end and to the bottom of the Flex Tube Bracket Plate (near the Power Unit) on the other end.

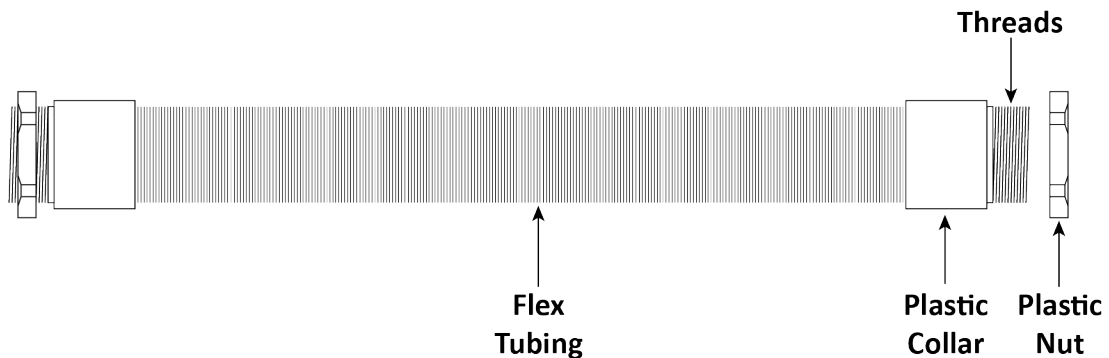
The Flex Tube is 52 inches (1,320 mm) long. The flexible tubing is about 1.5 inches (38 mm) wide. The connectors on each end about 1.75 inches (44.5 mm) wide. Both ends are the same, so it does not matter which end attaches where on the Lift.

The Flex Tube consolidates and protects air and hydraulic lines from under the Powerside Runway on their way to the Power Unit.

- **Return Line.** A  $\text{Ø}1/4$ -inch, black tube that returns extra Hydraulic Fluid to the fluid reservoir on the Power Unit.
- **Air Line.** Also a  $\text{Ø}1/4$ -inch, black tube, the Air Line provides air pressure that is used to disengage the Safety Locks so that the Runways may be lowered.
- **Hydraulic Hose.** A heavy, black hose that routes Hydraulic Fluid from the Power Unit to the Hydraulic Cylinder.

Installation of the Flex Tube is usually done in two parts: one end is installed after the Powerside Runway is installed (now), the other end after the Power Unit (and the Flex Tube Bracket Plate) is installed (later in this installation).

The following drawing shows the Flex Tube.



### To install the Flex Tube to the Powerside Runway:

1. Unscrew the Plastic Nut from one end of the Flex Tube.
2. Holding the Flex Tube by the Plastic Collar, put the Threads on the end of the Flex Tube whose Plastic Nut you just removed through the hole on the Powerside Runway.
3. On the inside of the Powerside Runway, screw the Plastic Nut back onto the Threads of the Flex Tube and tighten it.
4. Let the other end of the Flex Tube hang in place until the Flex Tube Bracket Plate is installed.

---

## Working with Compression Fittings and Tubing

Your Lift comes with a roll of ¼ inch, black, polyethylene Tubing that is used with Compression Fittings in two ways: for the Return Line and for the Air Lines.

**Important:** While both lines use Tubing and Compression Fittings, the Return Line and Air Lines are used for completely separate purposes; do not connect the two together.

**Note:** Compression Fittings are different from Hydraulic Fittings. This section covers Compression Fittings only.

The components involved with Compression Fittings include:

- **Ø1/4-inch, black, polyethylene Tubing.** You use a single piece of Tubing for the Return Line. The Air Lines require multiple Tubing pieces. Create the Tubing pieces for both the Return Line and the Air Lines by cutting lengths from the roll of Tubing supplied with your Lift.
- **Elbow Compression Fittings.** The Return Line uses two **Elbow** Compression Fittings, one at each end.
- **Tee Compression Fittings.** The Air Lines require three **Tee** Compression Fittings.
- **Nuts, Ferrules, Rods, and Threads.** Each connector on Elbow and Tee Compression Fittings have a Nut, Ferrule, Rod, and Threads (see drawing below). The Nut holds the Tubing and Fitting together. The Ferrule compresses when you tighten the Nut on the Threads to make a secure connection. The Rod goes inside the Tubing so that nothing leaks out.

The following drawing shows the components of a connector on a Tee Compression Fitting.



**Important:** **Ferrules can only be tightened once.** When you tighten the Nut on the Threads, the Ferrule gets compressed; it literally changes shape and **cannot** be used again.

### To connect Tubing to a Compression Fitting:

1. Push the Tubing through the Nut and over the Rod.

Do not push hard; you only need the Tubing to go a little way over the Rod. You cannot see the Ferrule at this point, but the Tubing must go through the Ferrule and over the Rod.

2. Slide the Nut on the Tubing **away from the Fitting**, if the Nut is still on the Threads, unscrew it from the Threads and then slide it away from the Fitting. See the drawing above.
3. Slide the Ferrule over the Tubing, away from the Fitting and towards the Nut.
4. With the Nut and the Ferrule out of the way, push the Tubing further over the Rod until it stops.
5. Slide the Ferrule and the Nut back to the Threads on the Fitting.

The Ferrule goes around the Rod and under the Threads. The Nut goes onto the Threads.

6. Tighten the Nut.

Remember that the Ferrule can only be used once; do not tighten the Nut until everything is ready.

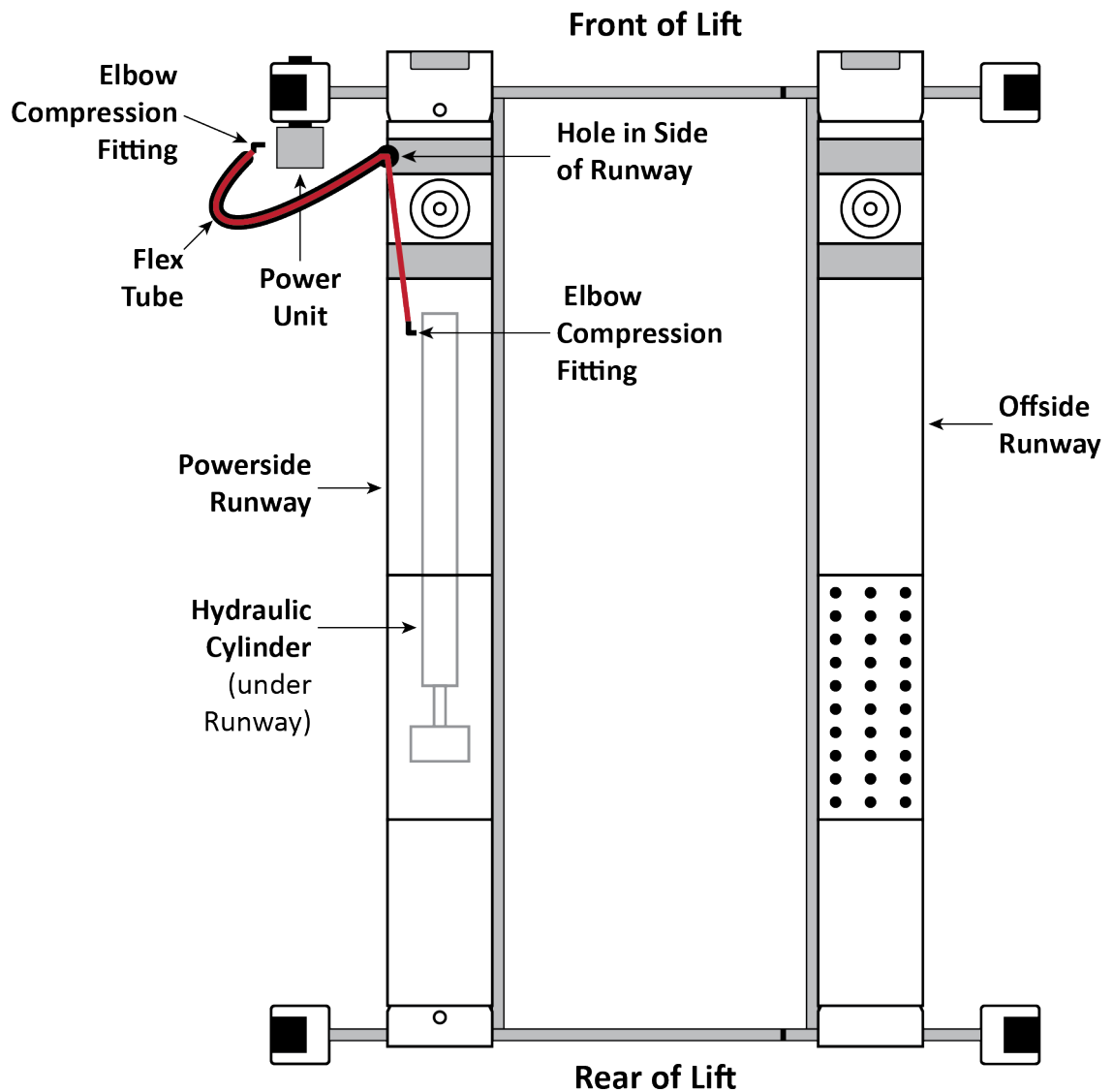
## Installing the Return Line

The Return Line takes excess Hydraulic Fluid coming out of the Hydraulic Cylinder and sends it back into the Fluid Reservoir on the Power Unit.

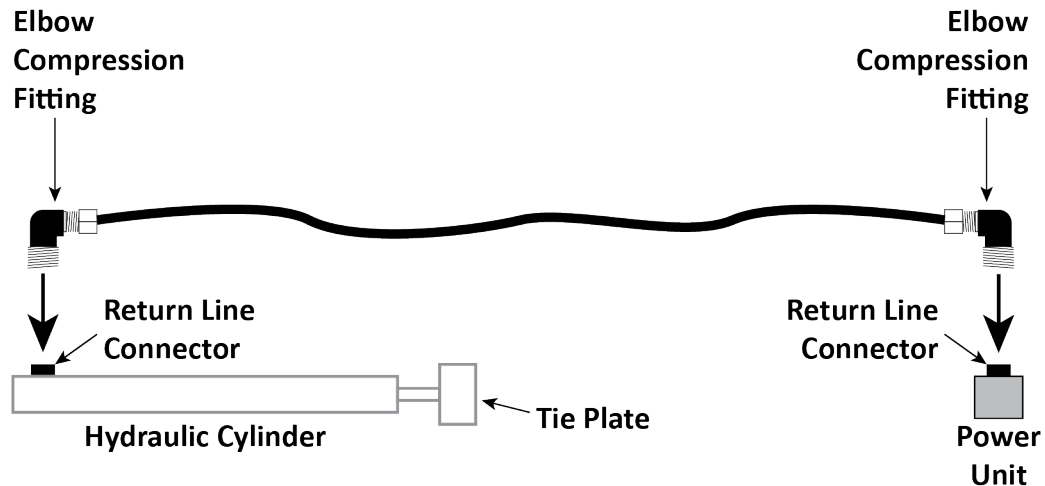
The Return Line is a single piece of Ø1/4-inch, black, polyethylene Tubing with Elbow Compression Fittings on each end. You need to cut off a piece of the supplied Tubing — of the right length — to create the Return Line.

**Important:** The Return Line uses the same Ø1/4-inch, black, polyethylene Tubing as the Air Lines. Be sure not to confuse the two; the Return Line and the Air Lines do completely different things and must be kept separate from each other.

The following drawing shows where the Return Line connects on the Lift.



The following drawing shows the Return Line.



*Drawing not to scale. Some components removed for clarity. Some components exaggerated.*

### To install the Return Line:

1. Attach an air pressure source to the Return Line Connector on the Hydraulic Cylinder and apply air pressure to extend the Cylinder's Piston and Tie Plate until it is fully extended towards the Power Post.

***This step does not apply to installing the Return Line, but it does need to be done at this point in the Lift installation.***

***Do not exceed 50 PSI.*** If the Cylinder does not move, stop using air pressure; instead, use a pulling device (such as a Come-Along Tool) to extend the Piston and Tie Plate. Be careful not to damage the Piston or the Tie Plate.

2. Measure the distance from the Return Line connector on the Hydraulic Cylinder to the Return Line connector on the Power Unit.
3. Cut a piece of Tubing to the measured length from the roll of Tubing that comes with the Lift.  
It is better to cut the Tubing a little too long rather than a little too short.
4. Route the Tubing from the Hydraulic Cylinder, through the Flex Tube, and out of the other end of the Flex Tube next to where the Power Unit will be installed (see the drawing on the previous page).
5. Remove the Shipping Plug from the Return Line Connector on the Hydraulic Cylinder.
6. Connect and tighten the threaded end of an Elbow Compression Fitting into the opening where the Shipping Plug used to be.
7. Connect one end of the Return Line to the Elbow Compression Fitting you just installed.  
Refer to **Working with Compression Fittings and Tubing** for instructions.
8. Leave the Power Unit end of the Return Line hanging out of the Flex Tube for now.  
It will be connected to an Elbow Compression Fitting and to the Power Unit later in the installation.

## Installing the Air Lines

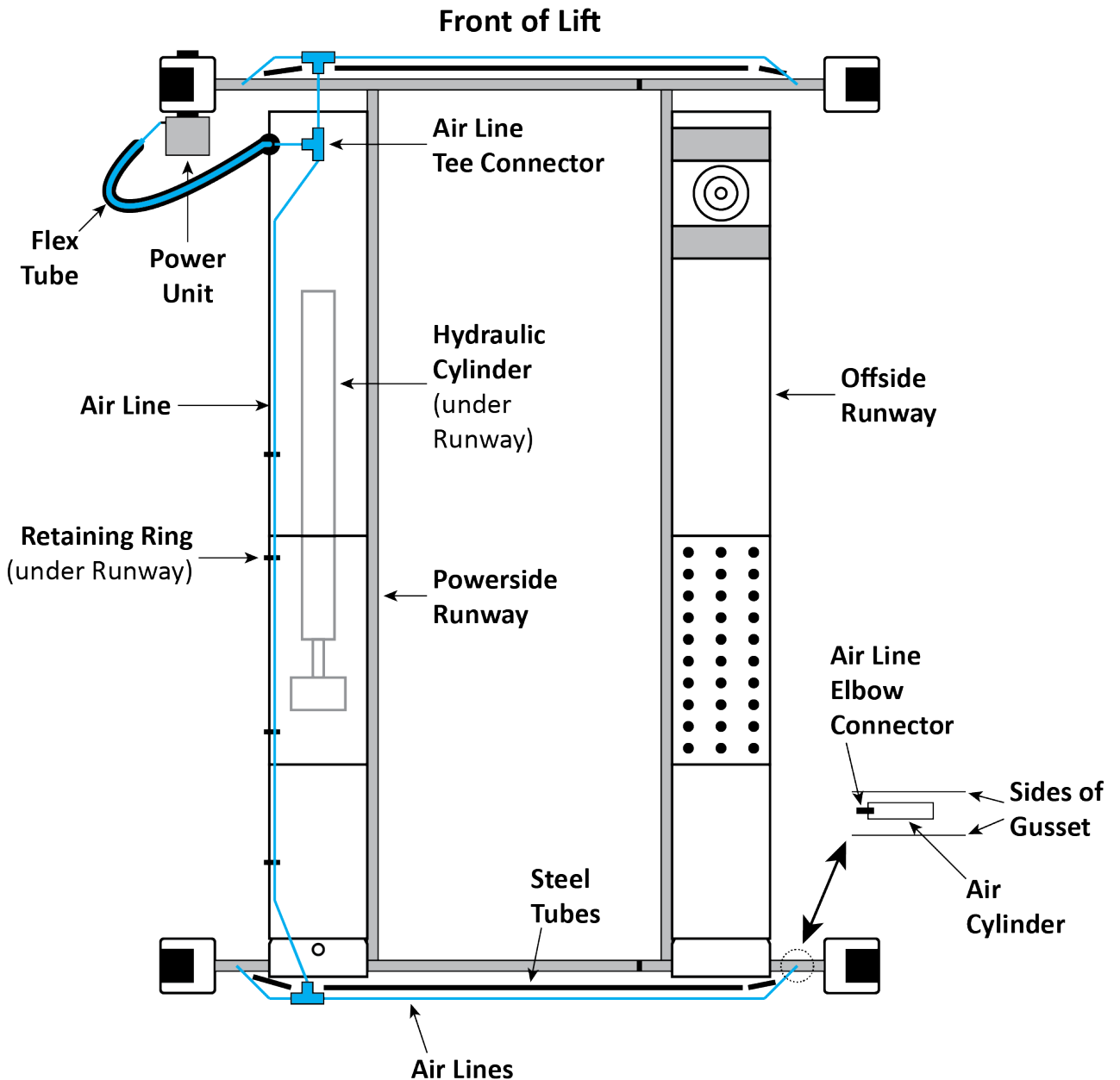
The Air Lines use air pressure to disengage the Safety Locks in each Post so that you can lower the Runways. ***It is your responsibility to supply the compressed air.***

**Important:** Customer-supplied air pressure is required to meet a minimum of 30 psi at 3 CFM. A filter/regulator must be installed on the air supply inlet at the Lift.

You will need more of the Ø1/4-inch, black, polyethylene Tubing that came with the Lift and three Air Line Tee Connectors to install the Air Lines.

**Important:** Do not confuse the Air Lines with the Return Line. They use the same Tubing and the connectors look similar, but they are used for completely different things. The two systems cannot be connected to each other.

The Air Line Elbow Connectors on the Crosstube Gussets come installed from the factory.



---


*Drawing not to scale. Some components removed for clarity. Air Lines shown outside Steel Tubes for clarity.*

**To install the Air Lines:**

1. Find the roll of supplied ¼ inch, black, polyethylene Tubing and three Air Line Tee Compression Connectors.
2. Measure the distances for each of the seven (7) Tubing pieces you will need (see the drawing on the previous page) for the Air Lines.
3. Cut seven pieces of Tubing to the measured lengths from the roll of Tubing.
4. Connect the various pieces of Tubing to the Air Line Tee Connectors on the Lift, as shown in the drawing on the previous page.

***Make sure to position the three Air Line Tee Connectors as shown in the drawing.***

Also make sure to route the long Tubing piece that goes under the Powerside Runway through the Retaining Rings. This is done to keep the Air Lines out of the way of where the Cables will be routed.

 **WARNING** Make sure to route the Tubing pieces on the ***outside*** ends of the Front and Rear Crosstubes through the Steel Tubes. This keeps the Tubing and the Tee Connectors from being disturbed as you use the Lift. This is important, because if the Air Lines are disturbed, the Safety Locks on the Lift may not work correctly. If you notice that Tubing has become disconnected from an Air Line Tee Connector, take the Lift out of service and get the Air Lines fixed.

Refer to **Working with Compression Fittings and Tubing** for more information about connecting the Tubing to the Air Line Tee Connectors.

5. Leave the Power Unit end of the Air Line hanging out of the Flex Tube for now.  
It will be connected to the Pushbutton Air Valve later in the installation process.





## IMPORTANT! PLEASE READ NOW



### Hydraulic Fluid Contamination

Hydraulic Fluid Contamination poses a **serious** issue for your Lift; contaminants such as water, dirt, or other debris can get into the Hydraulic Hoses and Fittings on your Lift, making your new Lift inoperable.

Your Lift is shipped with clean components; however, BendPak strongly recommends that you take secondary precaution and clean all Hydraulic Hoses and Fittings prior to making connections. It is better and less costly to take these extra steps now so that you do not need to take your Lift out of service later to fix issues that could have been prevented at the time of installation.

There are several ways to clean Hydraulic Hoses and Fittings:

- **Compressed Air.** Use an air compressor to blow out contaminants from each Hydraulic Hose and Fitting prior to installation. Clean, dry air is preferred. Wear eye protection (safety glasses, goggles, or face shield) when using compressed air for cleaning. Never point an air hose nozzle at any part of your body or any other person.
- **Fluid Flushing.** As long as the Hydraulic Fluid is clean and compatible with the system fluid, you can flush Hoses and Fittings to create turbulent flow and remove particulates. Always ensure that the fluid itself is contaminant-free.

Some additional steps that will help keep the Hydraulic Fluid clean:

- **Remove old thread seal tape.** Some ports on the Hydraulic Cylinders are shipped with temporary plugs secured with thread seal tape, so make sure to thoroughly remove any leftover thread seal tape that may inadvertently enter the Hydraulic System.
- **Use a liquid thread sealant only.** Teflon paste-type thread sealant or Loctite™ 5452 thread sealant is recommended for all NPT Fittings. Do not over tighten NPT Fittings or they may crack. Never use thread seal tape on JIC Fittings or ORB O-Ring Fittings.
- **Always use clean equipment.** If you use a dirty bucket or funnel to transfer the Hydraulic Fluid into the Hydraulic Fluid Reservoir, the contaminants will likely be introduced into the Fluid. When using cleaning rags, use a lint-free rag.
- **Proper storage.** Keep the Hydraulic Fluid sealed in its container until ready for use; store the Fluid in a clean, dry, and cool area.
- **Cover the Hoses and Fittings.** Before installation, do not leave the ends of the Fittings exposed; the same applies for the Hydraulic Hoses. As a general rule, keep the Hydraulic Hoses and Fittings capped and kept clean in a clean area until ready for use.
- **Filter the new Hydraulic Fluid.** Just because it is new does not necessarily mean it is *clean*. Use an offline filtration cart or kidney loop system to make sure the Hydraulic Fluid is clean before being transferred into the Hydraulic Fluid Reservoir (even using a heavy duty nylon mesh screen is better than trusting what is left at the bottom of the barrel).
- **Avoid mixing different types of Hydraulic Fluid.** If Hydraulic Fluid needs to be replaced, make sure to flush the Hydraulic System of the old Hydraulic Fluid before you add the replacement Fluid; do not mix the two together.

---

## About Thread Sealants

We recommend using a Liquid Thread Sealant (like Loctite™ 5452 or similar PTFE Thread Sealant) to seal the Hydraulic components on your Lift.

Liquid Thread Sealant lubricates and fills the gaps between the Fitting threads, and leaves no residue that could contaminate the Hydraulic Fluid. Other types of Thread Sealants (like Teflon Tape) can shred during installation or removal and eventually enter the Hydraulic System.

**Thread Sealant is not the same as a Threadlocker**, Threadlocker holds assemblies tightly in place to prevent them from loosening over time, and is not easily removed.

Thread Sealant can be used with most Hydraulic Fittings, although you probably only need to use it with NPT connectors.

### To apply Thread Sealant:

1. Make sure the Fittings and connectors you are going to use are clean and dry.

If you are adding Thread Sealant to a Fitting or connector that has already been used with a different Sealant, use a wire brush to thoroughly remove the old sealant before adding more.

2. Apply a small amount of Thread Sealant to the first four threads of the Fitting.

 **WARNING** Always wear the proper protective equipment when handling Thread Sealant.

You only need a small amount because the sealant spreads to the other threads as it is tightened into place.

If you put too much, the excess liquid will be pushed out when the Fitting is tightened; use a rag to wipe the excess.

3. Tighten the Fitting into the connector; do **not** over tighten the Fitting.
4. Allow the manufacturer-recommended curing time of 24 hours before pressurizing the system.

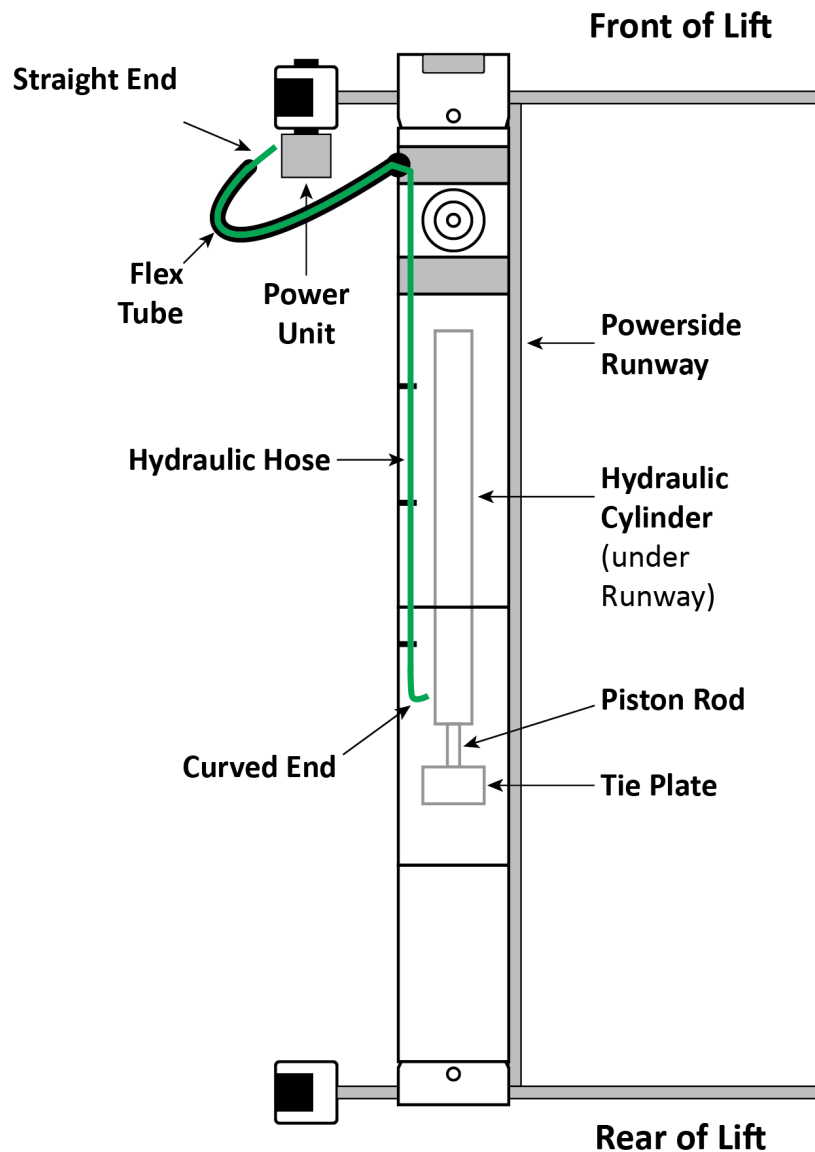
## Installing the Hydraulic Hose

The Hydraulic Hose moves Hydraulic Fluid from the Power Unit to the Hydraulic Cylinder, which uses it to raise the Runways.

To install the Hydraulic Hose, you will need:

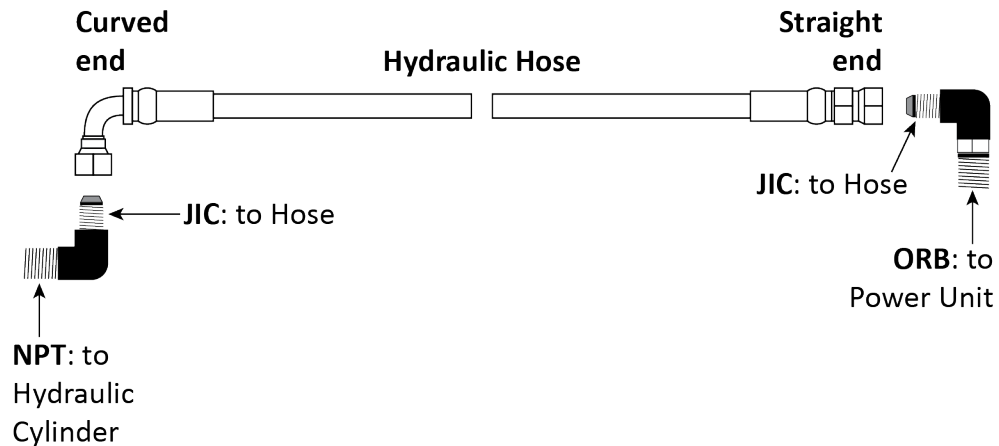
- **The Hydraulic Hose.** The Curved end attaches at the Hydraulic Cylinder and the Straight end comes out the Flex Tube so that it can attach at the Power Unit.
- **One JIC to NPT hydraulic fitting.** The JIC end attaches to the Curved end of the Hydraulic Hose and the NPT end to the Hydraulic Cylinder.
- **One JIC to ORB hydraulic fitting.** The JIC end attaches to the Straight end of the Hydraulic Hose and the ORB end to the Power Unit.

The following drawing shows where the Hydraulic Hose goes on the Lift.



*Drawing not to scale. Some components removed for clarity.*

The following drawing shows the Hydraulic Hose and its connectors in more detail.



### To install the Hydraulic Hose:

1. Find the Hydraulic Hose and the two Hydraulic Fittings (one JIC-to-NPT, one JIC-to-ORB).
2. Clean the Hydraulic components using the information in [Hydraulic Fluid Contamination](#).
3. Take the Straight end of the Hydraulic Hose and, starting at the Hydraulic Cylinder, route the Straight end through the Retaining Rings and the Flex Tube.

When you are done, the Straight end should be coming out of the Flex Tube near the Power Unit.

4. On the Hydraulic Cylinder, remove the Shipping Plug from the connector at the Piston Rod end.
5. Attach the NPT connector on the JIC-to-NPT Fitting to the connector on the Hydraulic Cylinder where you just removed the Shipping Plug.

Tighten until secure.

Leave the JIC connector pointing up; this will help keep the Hydraulic Hose up and away from where the Cables will be routed.

6. Attach the Curved end of the Hydraulic Hose to the JIC connector that is facing up.  
Tighten until secure.
7. Leave the Straight end of the Hydraulic Hose coming out of the Flex Tube; do not connect it to the Power Unit at this point.

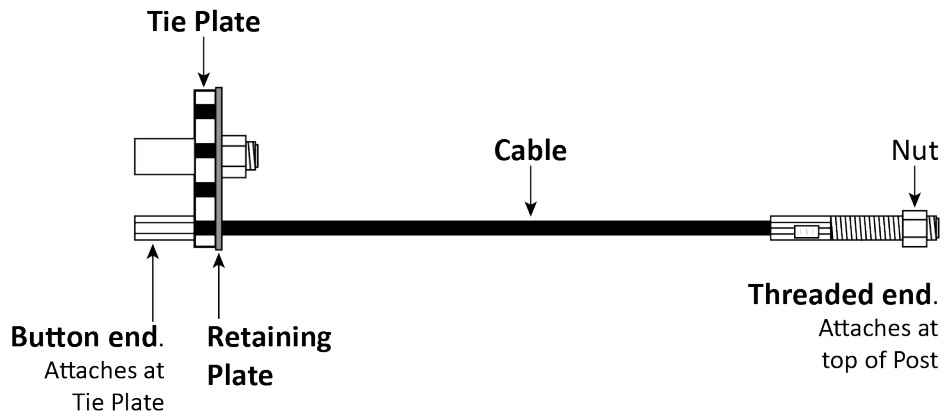
**Note:** The ORB connector of the JIC-to-ORB Fitting will be connected to the Power Unit later in the installation.

---

## Routing the Cables

Before routing the Cables on your Lift, you need to know the following:

- BendPak strongly recommends using gloves when working with the Cables.
- The Lift has four Cables. All four are different lengths; they can only be used to make one connection. If you use them to make the wrong connection, you can start them off OK, but eventually they will be too short or too long.
- All Cables have a Button end and a Threaded end. The Threaded end has a label on it that identifies the Lift Model the Cable is designed for (and **must** be used with), the part number (if you need to replace it), and its length (in millimeters).



*Drawing not to scale. Some components removed for clarity. The Tie Plate, located under the Powerside Runway, comes attached to the end of the Piston Rod on the Hydraulic Cylinder.*

- The Button end of each Cable connects at the Tie Plate on the underside of the Powerside Runway. The Button ends of each Cable stay on one side of the Tie Plate (as shown above), while the rest of the Cable goes through the Tie Plate and the Retaining Plate on its way towards the appropriate Sheaves and then to the Post to which it attaches.
- The Threaded end of each Cable goes around the appropriate Sheaves and then gets routed to a Post, where it is attached at the top. Before routing each Cable, remove the Nut at the Threaded end; you cannot route the Cable around the Sheaves if the Nut is still on.
- The Lift comes with a Retaining Plate on one side of the Tie Plate. The Retaining Plate holds the Button ends in place after all four Cables are installed. Do not take the Retaining Plate off to install the Cables; instead, loosen it so that you can slip the Button end of the Cable into the correct slot. When all four Cables are installed, tighten the Retaining Plate.
- There are two kinds of Sheaves: Cable Sheaves and Gusset Sheaves. There are four Cable Sheaves at the Rear of the Powerside Runway and two Cable Sheaves at the Front of the Powerside Runway, for a total of six Cable Sheaves for the Lift. There are four Gusset Sheaves, one per Crosstube Gusset.
- Cable Sheaves come installed. However, they **must** be removed prior to putting the Runways in place. So when you start routing the Cables, all of the Cable Sheaves have been removed.
- Gusset Sheaves come installed and do not need to be removed.
- Cable Sheaves are put back into place as you route each Cable. All of the six Cable Sheaves (two at the Front of the Lift, four at the Rear) are identical; you can use them at any location.

- The Cable Sheave **Pins** are not identical. The Cable Sheave Pin at the Front of the Lift, which holds two Sheaves, has two lubrication holes inside it. The Cable Sheave Pin at the Rear of the Lift, which holds four Sheaves, has four lubrication holes in it. Be sure to reinstall the Cable Sheave Pins in their correct locations. Note that they look the same on the outside, so be sure to use the right one.
- A Cable and its corresponding Cable Sheave (or Sheaves) are put into place one at a time, starting from the Tie Plate to the top of the Post. Cables and their Cable Sheaves must be put into place at the same time. Do not install the next Cable/Cable Sheave pair until the previous Cable/Cable Sheave pair are in place.

**IMPORTANT:** Lubricate each Sheave Bearing and Pin with Red Lithium Grease before installing.

- Each Crosstube Gusset has a Cable Lock Pin just under the bottom of the Gusset Sheave. Each Cable Lock Pin needs to be removed when you are routing the Cable for the applicable Post. Reinstall the Cable Lock Pin once the Cable is in place.

The Cable Lock Pin prevents the Cable from coming out later; there is not enough space between the bottom of the Gusset Sheave and the Cable Lock Pin for the Cable to slip out.

- In the drawings on the following pages, the Cables and Cable Sheaves are labelled A, B, C, and D. These letters indicate the order in which they are put into place. Cable A and Cable Sheave A are put into place first, then Cable B and Cable Sheave B, and so on. These letters are **not** on the label on the Threaded end. You have to match the Cable letter with the length information.

The Cable Sheave letters apply to the four Cable Sheaves at the Rear of the Lift. There are also two Cable Sheaves at the Front of the Lift; they are associated with Cables C and D. **Cable Sheaves A and B at the Front of the Lift do not exist.**

- The order in which the Cables and Sheaves are put into place is based on the order the Cable Sheaves must be replaced. By coincidence, the Cables for the HDS-18EA are installed shortest to longest; this is true of some, but not all, BendPak Lifts.
- The four Cables for the **HDS-18EA** are:
  - **A: 4127** mm / 13.5 feet / 162.5 inches (part number 5595835)
  - **B: 5855** mm / 19.2 feet / 230.5 inches (part number 5595836)
  - **C: 10483** mm / 34.5 feet / 412.75 inches (part number 5595806)
  - **D: 12215** mm / 40 feet / 481 inches (part number 5595807)

**Important:** Make sure to use the correct Cable for each routing. If you put a Cable in the wrong place, you will be able to route it, but eventually it will be too short or too long. Remember that the length of each Cable is printed on the label on the Threaded end.

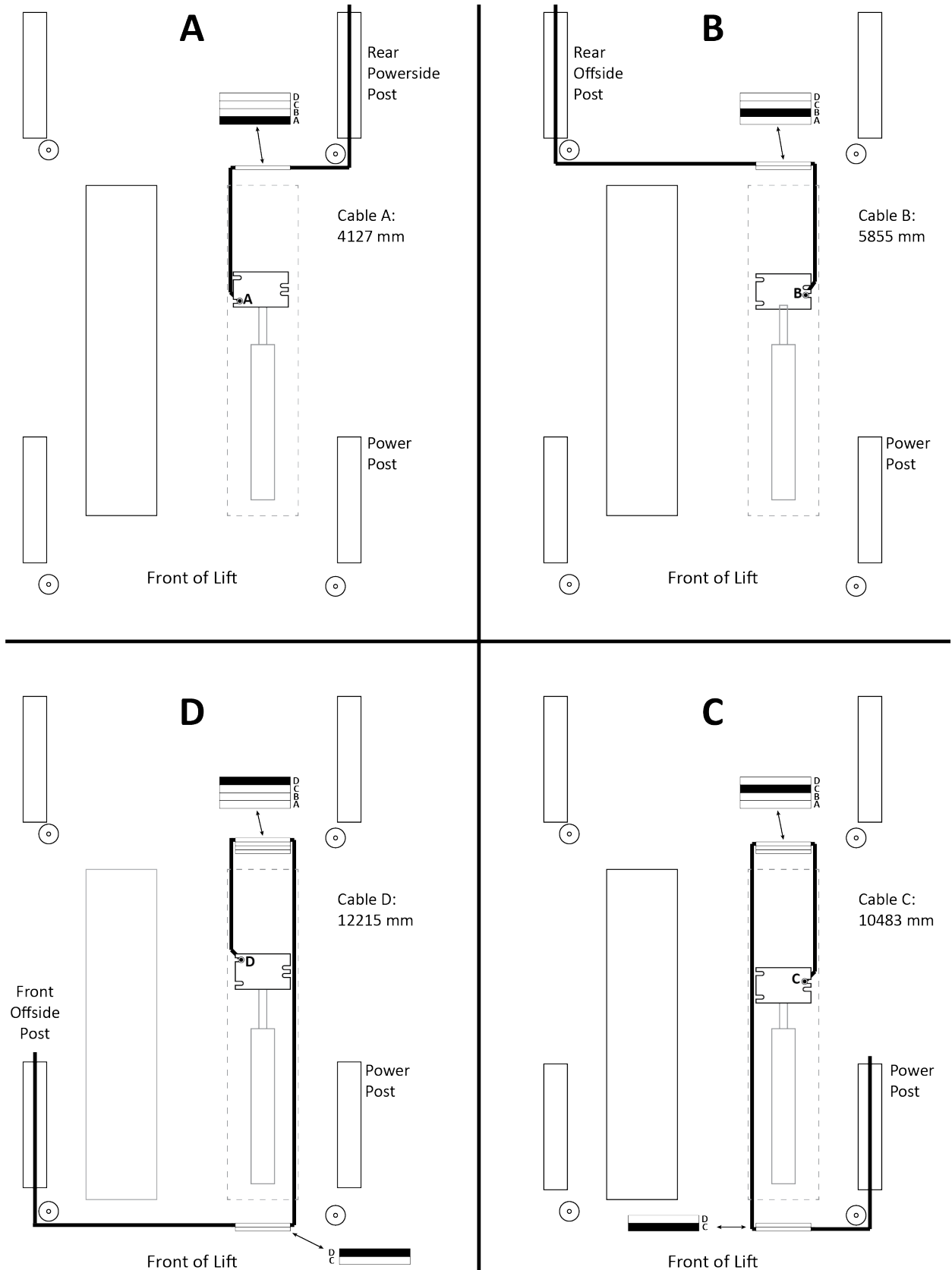
- All four Cables start at the Tie Plate and then go around a Cable Sheave at the **Rear** of the Lift. Cables A and B then go to the Gusset Sheave at the bottoms of the Posts to which they attach.

Cables C and D start at the Tie Plate, go around a Cable Sheave at the Rear of the Lift, are routed to the Front of the Lift where they go around another Cable Sheave, and then go to the Gusset Sheave at the bottoms of the Posts to which they attach.

In summary: Cables A and B go through one Cable Sheave and one Gusset Sheave. Cables C and D go through two Cable Sheaves and one Gusset Sheave.

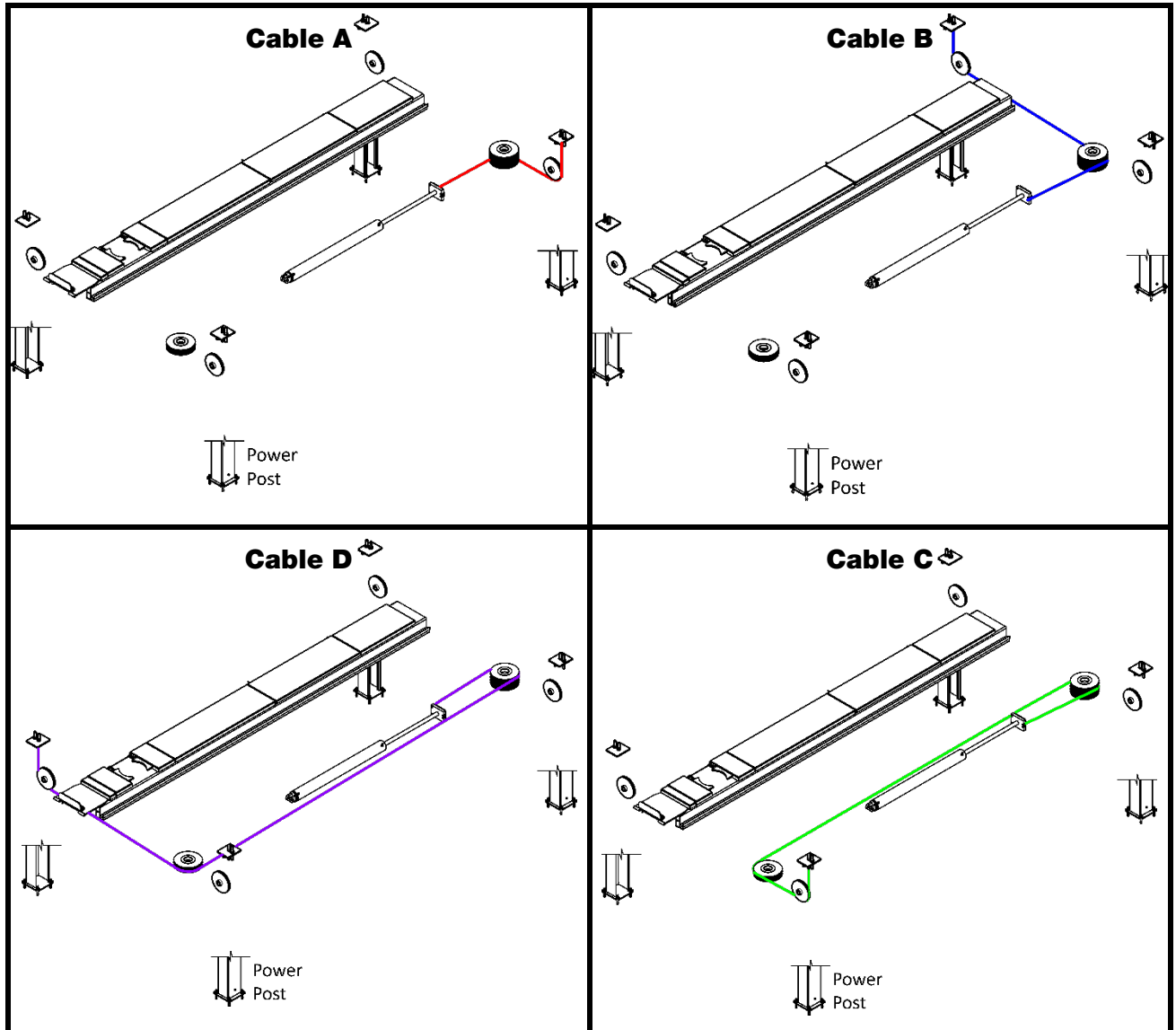
See the figures on the following page for routing information.

The figure below details the routing for all four Cables.



*Not to scale. Not all components shown. View is from the Front of the Lift looking towards the Rear, which is different from many of the other orientation drawings.*

A perspective view of the cable routing is presented below.



*Not to scale. Components removed for clarity.*

Before routing your Cables, make sure the Piston of the Hydraulic Cylinder has been extended, which is part of the procedure described in [Installing the Return Line](#).

If the Piston has **not** been extended, you will need to do that before routing the Cables: remove the Elbow Compression Fitting from the Return Line Connector, extend the Piston using air pressure or a pulling device, then reinstall the Elbow Compression Fitting.

**Note:** There are separate procedures for routing each Cable.

**To route Cable A to the Rear Powerside Post:**

1. Find the four Cables for your Lift model.  
Check the labels on each Cable to make sure you have the correct ones.
2. Find the six Cable Sheaves that were taken off earlier.  
The Gusset Sheaves come installed and do not need to be removed.



The six Cable Sheaves are identical, but the Cable Sheave **Pins** are different. Be sure to use the correct Cable Sheave Pin when it is time to reinstall them. The Cable Sheave Pin at the Front of the Lift, which holds two Sheaves, has two lubrication holes inside it. The Cable Sheave Pin at the Rear of the Lift, which holds four Sheaves, has four lubrication holes in it.

- Loosen the Retaining Plate enough so that you can slip the Button end of each Cable into its spot on the Tie Plate.

**Do not take the Retaining Plate off**, just loosen the Nut enough to give you enough room to slip the Button end of each Cable into place.

- Find Cable A, unscrew the Nut from the Threaded end (the Nut cannot be on during routing, but keep it nearby, you will need it again soon), slip the Button end past the Retaining Plate and into its slot on the Tie Plate, then route the Threaded end of the Cable towards where its Cable Sheave will be at the Rear of the Lift.

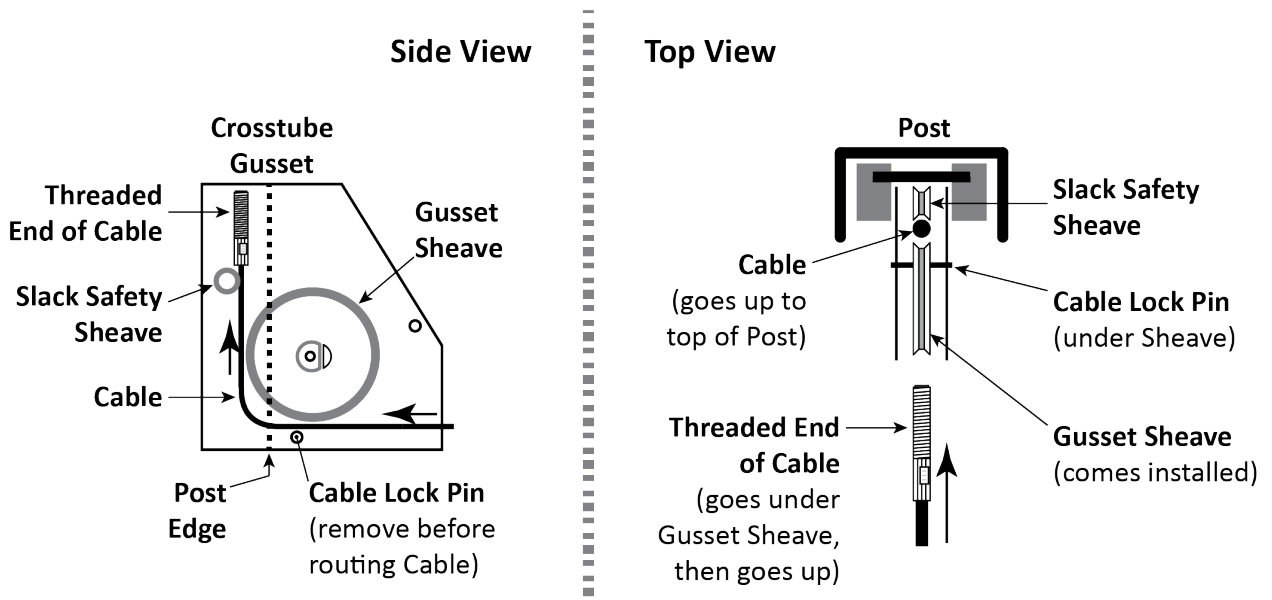


*Drawing shows Button end of Cable A in its slot on the Tie Plate.*

*View is from Front of Lift looking back towards the Rear of the Lift. Not to scale. Not all components shown.*

- Route the Cable into the Window on the Crosstube, push it toward the Rear Powerside Post, then pull the Threaded end out of the Crosstube at the bottom of the Gusset. Let the Threaded end hang out of the Crosstube for now.
- Put a Spacer in, put Rear Sheave A in place (at the bottom of what will be the stack of four Sheaves when all four Cables are in place), then seat Cable A in Rear Sheave A.
- Remove the Cable Lock Pin on the bottom of the Gusset on the Rear Powerside Post. Keep it handy; you will be putting it back in place soon.
- Route the Threaded end of Cable A **under** the Gusset Sheave, then up towards the Top Cap at the top of the Post.

When you start routing the Cable up, it **must** be between the Gusset Sheave and the Slack Safety Sheave, as shown in the drawing below.



---

*Drawing not to scale. Not all components shown. Includes side view and top view of same area.*

**Important:** When routing a Cable in its Post, the Cable must go **under** the Gusset Sheave and then, when it heads up towards the top of the Post, it must be on the side of the Slack Safety Sheave, as shown above. When the Cables are pulled tight, the Cable prevents the Slack Safety from engaging, which is what you want. If the Cable is **not in this exact location**, the Slack Safeties will **not** work correctly.

9. Push the Threaded end of Cable A through the Top Cap and **hand tighten** it in place with the Nut you removed just before starting to route the Cable.

You only want to hand tighten the Nut at this point so that there is a little play in the cabling. We will securely tighten all four Nuts later in the installation procedure.

**Note:** The Threaded end of Cable A should go just a little bit through the Top Cap. If it is way too long or way too short, you probably have the wrong Cable. If it is just a few inches short, then the Piston on the Hydraulic Cylinder may not have been pulled out far enough.

10. Reinstall the Cable Lock Pin near the bottom of the Crosstube Gusset.

Cable A is now correctly routed to its Post.

### **To route Cable B to the Rear Offside Post:**

1. Find Cable B, unscrew the Nut from the Threaded end, slip the Button end past the Retaining Plate and into its slot on the Tie Plate (note that Cable B mounts on the other side of the Tie Plate), then route the Threaded end of the Cable towards the Rear of the Lift.



*Drawing shows Button end of Cable B in its slot on the Tie Plate.*

*View is from Front of Lift looking back towards the Rear of the Lift. Not to scale. Not all components shown.*

2. Route the Cable into the Window on the Crosstube, push it toward the Rear Offside Post, then pull the Threaded end out of the Crosstube at the bottom of the Gusset. Let the Threaded end hang out of the Crosstube for now.

3. Put a Spacer in, put Rear Sheave B in place (on top of Rear Sheave A), then seat Cable B in Rear Sheave B.

4. Remove the Cable Lock Pin on the bottom of the Gusset on the Rear Offside Post.

Keep it handy; you will be putting it back in place soon.

5. Route the Threaded end of Cable B **under** the Gusset Sheave, then up towards the Top Cap at the top of the Rear Offside Post.

When you start routing the Cable up, it **must** be between the Gusset Sheave and the Slack Safety Sheave.

**Important:** When routing a Cable in its Post, the Cable must go **under** the Gusset Sheave and then, when it heads up towards the top of the Post, it must be on the side of the Slack Safety Sheave. If the Cable is **not in this exact location**, the Slack Safeties will **not** work correctly.

6. Push the Threaded end of Cable B through the Top Cap and **hand tighten** it in place with the Nut you removed just before routing the Cable.

---

You only want to hand tighten the Nut at this point so that there is a little play in the cabling. We will securely tighten all four Nuts later in the installation procedure.

**Note:** The Threaded end of Cable B should go just a little bit through the Top Cap. If it is way too long or way too short, you probably have the wrong Cable.

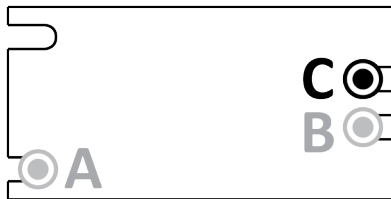
7. Reinstall the Cable Lock Pin near the bottom of the Crosstube Gusset.

Cable B is now correctly routed to the Rear Offside Post.

**Important:** The two Cable Sheaves at the Front of the Lift are called Front Sheave C and Front Sheave D. There is no Front Sheave A or Front Sheave B. The C and D in the names of Front Sheave C and Front Sheave D refer to the Cables that go around them.

### To route Cable C to the Power Post:

1. Find Cable C, unscrew the Nut from the Threaded end, slip the Button end past the Retaining Plate and into its slot on the Tie Plate, then route the Threaded end towards the Rear of the Lift.



*Drawing shows Button end of Cable C in its slot on the Tie Plate.*

*View is from Front of Lift looking back towards the Rear of the Lift. Not to scale. Not all components shown.*

2. Cable C needs to go around the Cable Sheaves at the Rear of the Lift and then head back towards the Front of the Lift, so route Cable C around the Cable Sheaves already in place, then pull the Threaded end back towards the Tie Plate.
3. Put a Spacer in, put Rear Sheave C in place (on top of Rear Sheave B), then seat Cable C in Rear Sheave C.
4. Pull the Threaded end of Cable C all the way to the Front of the Lift, then push the Threaded end into the Window, heading it towards the Power Post.
5. Pull the Threaded end out of the Crosstube at the bottom of the Gusset at the Power Post. Let the Threaded end hang out of the Crosstube for now.
6. Put Front Sheave C into place, then make sure Cable C is seated in Front Sheave C.
7. Remove the Cable Lock Pin on the bottom of the Gusset on the Power Post.

Keep it handy; you will be putting it back in place soon.

8. Route the Threaded end of Cable C **under** the Gusset Sheave, then up towards the Top Cap at the top of the Power Post.

When you route it up, it **must** be between the Gusset Sheave and the Slack Safety Sheave.

**Important:** When routing a Cable in its Post, the Cable must go **under** the Gusset Sheave and then, when it heads up towards the top of the Post, it must be on the side of the Slack Safety Sheave. If the Cable is **not in this exact location**, the Slack Safeties will **not** work correctly.

9. Push the Threaded end of Cable 3 through the Top Cap and **hand tighten** it in place with the Nut you removed just before routing the Cable.

You only want to hand tighten the Nut at this point so that there is a little play in the cabling. We will securely tighten all four Nuts later in the installation procedure.

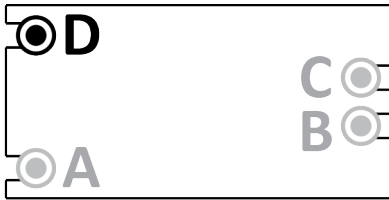
**Note:** The Threaded end of Cable C should go just a little bit through the Top Cap. If it is way too long or way too short, you probably have the wrong Cable. If it is just a few inches short, then the Piston on the Hydraulic Cylinder was probably not pulled out far enough.

10. Reinstall the Cable Lock Pin near the bottom of the Crosstube Gusset.

Cable C is now correctly routed to the Power Post.

**To route Cable D to the Front Offside Post:**

1. Find Cable D, unscrew the Nut from the Threaded end, slip the Button end past the Retaining Plate and into its slot on the Tie Plate, then route the Threaded end towards the Rear of the Lift.



*Drawing shows Button end of Cable D in its slot on the Tie Plate.*

*View is from Front of Lift looking back towards the Rear of the Lift. Not to scale. Not all components shown.*

2. Cable D needs to go around the Cable Sheaves at the Rear of the Lift and head back towards the Front of the Lift, so route Cable D around the Cable Sheaves already in place, then pull the Threaded end back towards the Tie Plate.
3. Put a Spacer in, put Rear Sheave D in place (on top of Rear Sheave C), then seat Cable D in Rear Sheave D.
4. Pull the Threaded end of Cable D all the way to the Front of the Lift, then push the Threaded end into the Window and towards the Front Offside Post.
5. Pull the Threaded end out of the Crosstube at the bottom of the Gusset. Let the Threaded end hang out of the Crosstube for now.
6. Put Front Sheave D into place on top of Front Sheave C, then make sure Cable D is seated in Front Sheave D.
7. Remove the Cable Lock Pin on the bottom of the Gusset on the Front Offside Post.  
Keep it handy; you will be putting it back in place soon.
8. Route the Threaded end of Cable D **under** the Gusset Sheave, then up towards the Top Cap at the top of the Front Offside Post.

When you start routing the Cable up, it **must** be between the Gusset Sheave and the Slack Safety Sheave.

**Important:** When routing a Cable in its Post, the Cable must go **under** the Gusset Sheave and then, when it heads up towards the top of the Post, it must be on the side of the Slack Safety Sheave. If the Cable is **not in this exact location**, the Slack Safeties will **not** work correctly.

9. Push the Threaded end of Cable D through the Top Cap and **hand tighten** it in place with the Nut you removed just before routing the Cable.

You only want to hand tighten the Nut at this point so that there is a little play in the cabling. We will securely tighten all four Nuts later in the installation procedure.

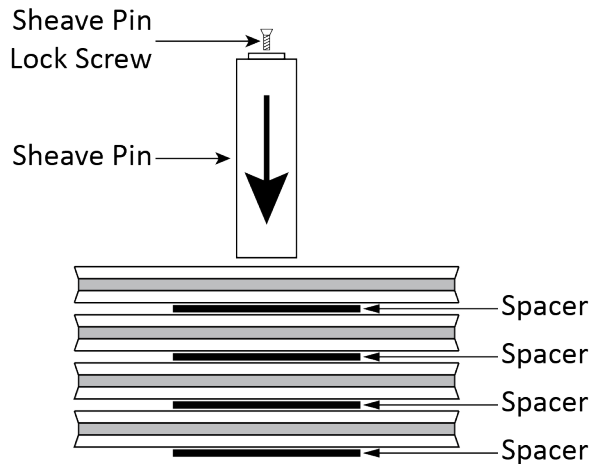
**Note:** The Threaded end of Cable D should go just a little bit through the Top Cap. If it is way too long or way too short, you probably have the wrong Cable.

10. Reinstall the Cable Lock Pin near the bottom of the Crosstube Gusset.

---

### To finish the Cable routing:

1. Put both Sheave Pins back into place (remember the two are not interchangeable), then insert and tighten the Sheave Pin Lock Screw.



*Drawing shows Sheave Pin being pushed down into the four Cable Sheaves at the Rear of the Lift.*

*Not to scale. Not all components shown.*

*Make sure all Spacers are in position before putting the Sheave Pin in.*

You may have to move the Cable Sheaves around some to get the Sheave Pins back into place; they will not go in all the way until all of the Cable Sheaves and Spacers are aligned.

**Make sure to install the correct Sheave Pin in the correct location;** they are not interchangeable. The Sheave Pin at the Front of the Lift, which holds two Cable Sheaves, has two lubrication holes inside it. The Sheave Pin at the Rear of the Lift, which holds four Cable Sheaves, has four lubrication holes in it.

**Important:** Lubricate each Sheave bearing and Pin with Red Lithium Grease before installing.

2. Go back and make sure that each Cable goes up its Post between the Slack Safety Sheave and the Gusset Sheave.
3. Go back and check each Cable carefully to make sure each one is seated in the middle of each Sheave (Cable Sheave and Gusset Sheave) that it passes through.  
If you find one that is not seated correctly, adjust it until it is.
4. Check all four Cable Lock Pins (at the bottom of each Crosstube Gusset) to make sure they are securely in place with the Cables **above** them.
5. Cable routing is now complete.

---

## Installing the Power Unit and Other Components

This section describes how to *install*, but *not make connections to*, your Lift's Power Unit. An Electrician is *not* needed to install the Power Unit; one is required to connect the Power Unit to its power source.

The Power Unit *must* be installed on the Power Post; attach it to one of the two Mounting Brackets, whichever is more convenient for the installation.

**⚠ DANGER** Risk of explosion: The Power Unit has internal arcing or parts that may spark and should not be exposed to flammable vapors. Never expose the Power Unit motor to rain or other damp environments. Damage to the motor caused by water is *not* covered by the warranty.

We recommend installing all of the following components at the same time:

- **Power Unit.** Connects to an electric power source, provides Hydraulic Fluid to the Hydraulic Cylinder so that the Runways can be raised.
- **Vibration Dampener.** Isolates the Power Unit from vibrations from the Lift coming through the Power Post. Connect all four corners.
- **Flex Tube Bracket Plate.** Holds one end of the Flex Tube near the Power Unit so that the Hydraulic Hose, Return Line, and Air Line can make their connections. Attach the end with the two slots when you install the Power Unit.
- **Zero Angle Bracket.** Holds the Pushbutton Air Valve. Attach the end with the single hole when you install the Power Unit. The end with the two holes connects to the Pushbutton Air Valve.

**Important:** You are not required to install all of these components at the same time, but it is the best way to do it. The rest of this section assumes you are installing all four.

More information about the Flex Tube Bracket Plate is available in [Installing the Flex Tube](#). More information about the Pushbutton Air Valve is available in [Installing the Pushbutton Air Valve](#).

The Hydraulic Fluid reservoir on the Power Unit must be filled with Hydraulic Fluid or automatic transmission fluid before you begin normal operation of the Lift. ***When you receive the Lift, the fluid reservoir is empty.*** The Power Unit will not work correctly until it is filled with approved Hydraulic Fluid.

Approved fluids are any general purpose ISO-32, ISO-46, or ISO-68 Hydraulic Fluid, approved automatic transmission fluids such as Dexron III, Dexron VI, Mercon V, Mercon LV, or any synthetic Multi-Vehicle automatic transmission fluid.

**⚠ WARNING** Do not run your Power Unit without Hydraulic Fluid; you will damage it.

Even though you are not connecting the Power Unit at this point, you can fill the Hydraulic Fluid reservoir with fluid.

### To install the Power Unit and other components:

1. Find the four supplied Hex Head Bolts, Flat Washers, and Nyloc Nuts, as well as the Power Unit, Vibration Plate, the Flex Tube Bracket Plate, and the Zero Angle Bracket.
2. Inspect the Mounting Plate and the Back Plate of the Power Unit, then decide which locations you are going to connect to each other.

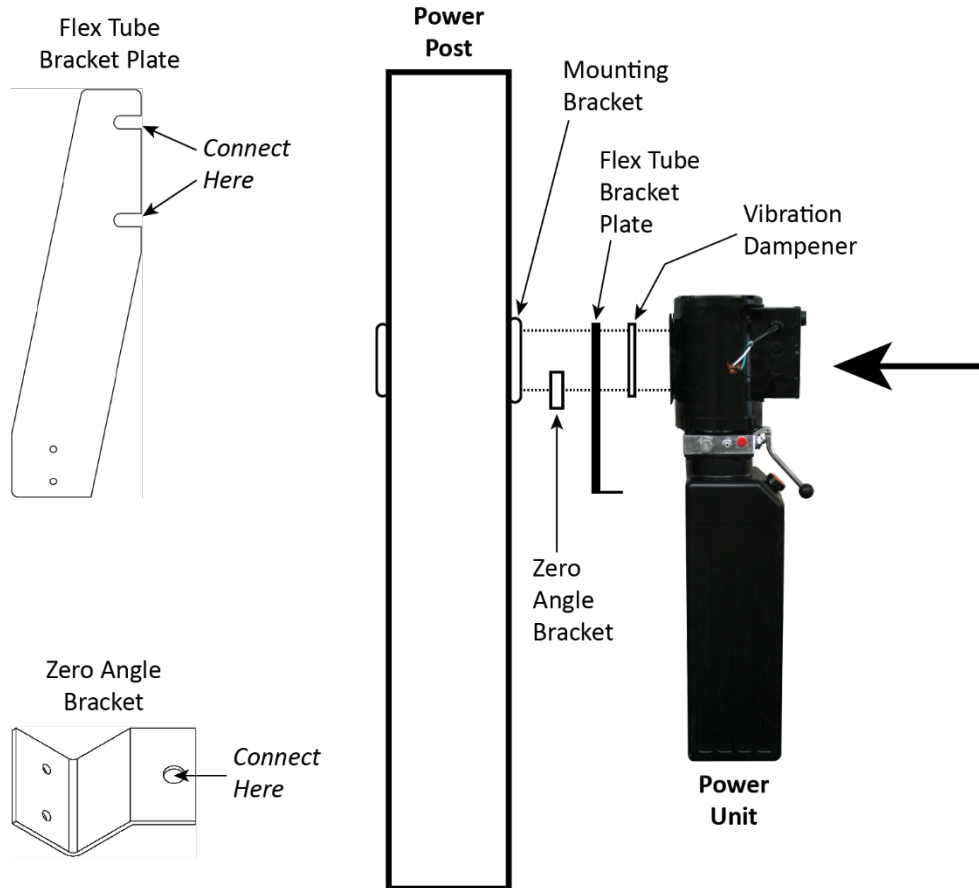
There are multiple locations on the Back Plate of the Power Unit that you can use to attach to the Mounting Bracket. Choose the ones that best center the Power Unit on the Mounting Bracket.



**Tip** The Power Unit is heavy. BendPak recommends having one person hold the Power Unit while another person bolts it into place.

3. Arrange the four components in the desired order.

The following drawing shows a popular way to arrange the four components.



*Drawing combines front and side view. Drawing not to scale. Not all components shown.*

4. Connect the Back Plate of the Power Unit and the other components to the desired Mounting Bracket on the Power Post using the Bolts, Washers, and Nuts.
5. Fill the Hydraulic Reservoir on the Power Unit with approved fluids.

The Hydraulic Reservoir holds approximately 7 gallons (26.5 liters). Use care to keep the fluid clean when filling the reservoir.

Approved fluids are any general purpose ISO-32, ISO-46, or ISO-68 hydraulic fluid or approved automatic transmission fluids such as Dexron III, Dexron VI, Mercon V, Mercon LV, or any synthetic Multi-Vehicle automatic transmission fluid.

***Do not connect the Power Unit to a power source at this point.***

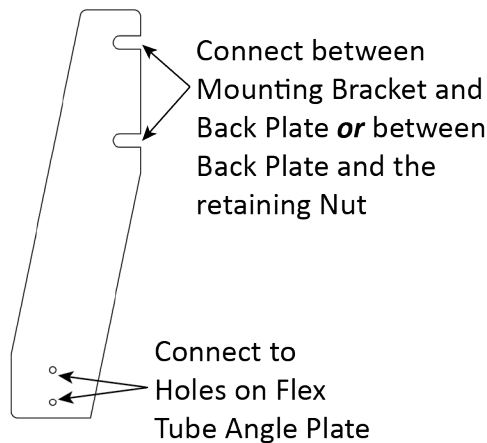
## Installing the Flex Tube

Once the Power Unit is installed, you can install the second end of the Flex Tube (the other end was connected to the Powerside Runway earlier in the installation).

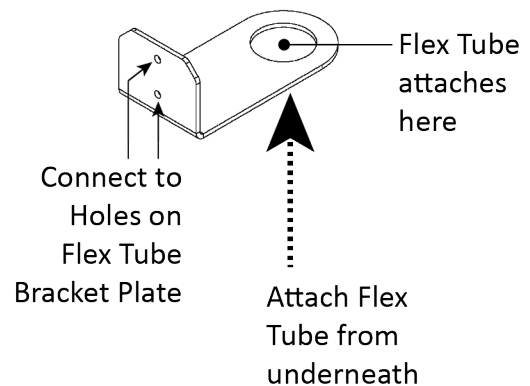
The Flex Tube consolidates and protects the lines that come out from under the Powerside Runway: the Air Line, the Return Line, and the Hydraulic Hose.

To install the Flex Tube, you first need to connect the Flex Tube Bracket Plate and the Flex Tube Angle Plate, if you have not yet connected them.

### Flex Tube Bracket Plate



### Flex Tube Angle Plate



The components involved include:

- **Flex Tube.** Protects the Air Line, the Return Line, and the Hydraulic Hose. Connects to the hole on the Flex Tube Angle Plate from underneath.
- **Flex Tube Bracket Plate.** The two notches at the top attach near the Mounting Bracket on the Power Post. The two holes at the bottom connect to the Flex Tube Angle Plate.
- **Flex Tube Angle Plate.** Attaches to the Flex Tube Bracket Plate via two holes, giving you the flexibility to connect it on either side. Includes the hole to which the Flex Tube connects.

BendPak recommends orienting the Flex Tube so that the lines coming out of it are near where they connect on the Power Unit and to the Pushbutton Air Valve.

### To install the Flex Tube:

1. Find the Flex Tube Angle Plate (if it is not already installed).

The Flex Tube is already nearby and the Flex Tube Bracket Plate should already be installed.

2. Connect the Flex Tube Angle Plate to the bottom of the Flex Tube Bracket Plate so that the hole for the Flex Tube is best positioned for connecting the Return Line, the Air Line, and the Hydraulic Hose.

The Flex Tube Angle Plate can be connected on either side of the Flex Tube Bracket Plate.

3. When the Flex Tube Angle Plate is in place, unscrew the Plastic Nut from the end of the Flex Tube.
4. Holding the Flex Tube by the Plastic Collar, put the Threads through the hole on the Flex Tube Angle Plate **from underneath**.
5. Screw the Plastic Nut back onto the Threads and tighten.



---

## Installing the Pushbutton Air Valve

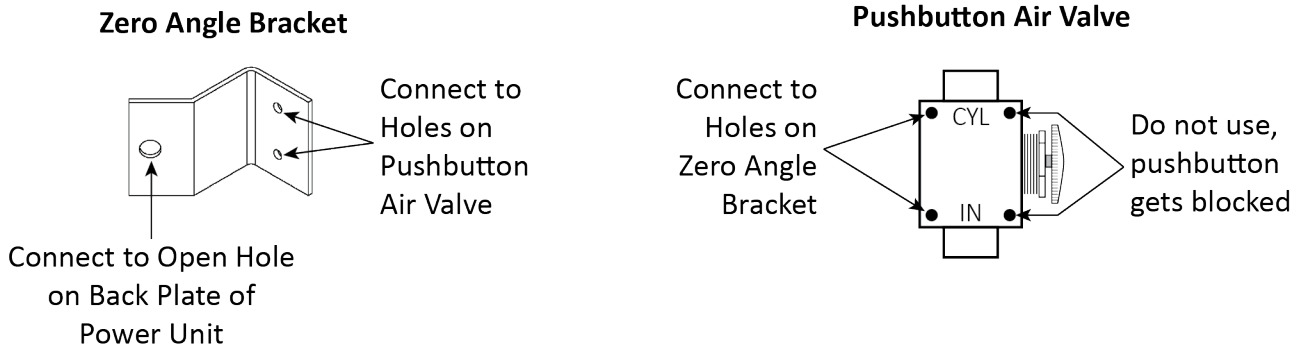
Once the Power Unit and the Flex Tube are installed, you can install the Pushbutton Air Valve, which requires the Zero Angle Bracket (which should already be installed).

The Pushbutton Air Valve is used to lower the Runways. It can go on either side of the Power Unit, whichever is easier to access for the Lift operator.

Once the pushbutton is in place, you need to connect it to the Air Line (which is coming out of the Flex Tube) on one end and the customer-supplied air pressure on the other end.

**Important:** Customer-supplied air pressure must meet a minimum of 30 psi at 3 CFM. A filter/regulator must be installed on the air supply inlet at the Lift.

The following drawing shows the Zero Angle Bracket and how and where it connects to the Pushbutton Air Valve.



The components involved include:

- **Zero Angle Bracket.** Attaches at the Mounting Bracket on the Power Post or to other available holes on the Back Plate of the Power Unit. Holds the Pushbutton Air Valve, so be sure to orient the Zero Angle Bracket so that the Pushbutton Air Valve can be easily reached by the Lift operator.
- **Pushbutton Air Valve.** Used to lower the Runways.
- **Air Line Compression Elbow Fitting.** Connects the Pushbutton Air Valve to the Air Line coming out of the Flex Tube.
- **Straight Expander Fitting.** Connects the Pushbutton Air Valve to the customer-supplied air pressure. A minimum air pressure of 30 PSI at 3 CFM is required.

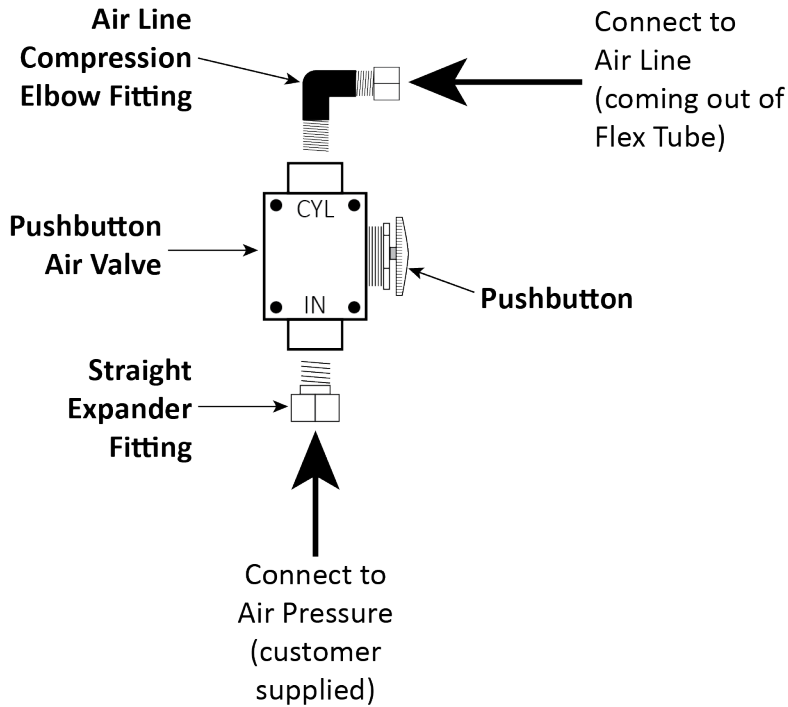
**IMPORTANT!** A filter/regulator must be installed on the air supply inlet at the Lift.

### To install the Pushbutton Air Valve:

1. Find the necessary components: Zero Angle Bracket (which should already be installed), Pushbutton Air Valve, Air Line Compression Elbow Fitting, and the Straight Expander Fitting.
2. Connect the Pushbutton Air Valve to the Zero Angle Bracket.

Use the two holes on the Pushbutton Air Valve **on the side away** from the actual pushbutton. If you use the holes next to the pushbutton, the Zero Angle Bracket interferes with the pushbutton when you try to use it.

The following drawing shows the Pushbutton Air Valve and its connections.



3. Connect the Air Line Compression Elbow Fitting and the Straight Expander Fitting to the appropriate locations on the Pushbutton Air Valve.

The elbow fitting connects to the opening labelled **CYL**. The straight fitting to the opening labelled **IN**. See the drawing above.

4. Attach the Air Line (coming out of the Flex Tube) to the compression fitting on the elbow fitting and the customer-supplied compressed air to the straight fitting.

**Important:** Customer-supplied compressed air pressure must meet a minimum of 30 psi at 3 CFM. A filter/regulator must be installed on the air supply inlet at the Lift.

**Important:** The Return Line also comes out of the Flex Tube and is the same kind of tubing as the Air Line. Do not attach the Return Line to the Pushbutton Air Valve by mistake. Double check to make sure you are attaching the Air Line to the Pushbutton Air Valve.

**Important:** Cut the provided Air Line Tubing with a sharp blade to length as required. Tubing must be cut square and be free of burrs.

**WARNING** Removing the air tubing from the compression fitting will cause damage to the tubing. Use of a damaged Air Line may result in Safety Lock failure resulting in damaged equipment and possible personal injury.

---

## Connecting the Return Line

The Return Line connects to the Hydraulic Return connector on the Power Unit.

One end of the Return Line is already connected to the Hydraulic Cylinder; the other end should be coming out of the Flex Tube.

### To attach the Return Line to the Power Unit:

1. Locate the Hydraulic Return connector on the Power Unit and remove the Shipping Plug.

There is only one Hydraulic Return connector on the Power Unit.

2. Connect and tighten the threaded end of the remaining Elbow Compression Fitting to the Hydraulic Return connector.

For information about connection compression fittings, refer to [Working with Compression Fittings and Tubing](#).

3. Find the Return Line coming out of the Flex Tube and securely connect it to the Elbow Compression Fitting.

**Important:** The Air Line, at one point, was also coming out of the Flex Tube and it uses the same kind of tubing as the Return Line. The Air Line should have been connected in the previous section, but if it was not, make sure you are attaching the Return Line to the Power Unit and not the Air Line. ***Do not attach the Air Line to the Power Unit by mistake.***

## Connecting the Hydraulic Hose

The Hydraulic Hose connects to an Hydraulic Out connector on the Power Unit.

One end of the Hydraulic Hose is already connected to the Hydraulic Cylinder; the other end (the Straight end) should be coming out of the Flex Tube.

### To attach the Hydraulic Hose to the Power Unit:

1. Locate the Hydraulic Out connector on the Power Unit you want to use and remove the Shipping Plug.

There are two Hydraulic Out connectors on the Power Unit; you can use either one.

2. Apply a few drops of hydraulic fluid to the ORB fitting's O-Ring, then connect and tighten the ORB to JCI Fitting to the Hydraulic Out connector.

3. Connect and tighten the Hydraulic Hose coming out of the Flex Tube to the JIC Connector of the JCI-to-ORB Fitting.

---

## Contacting the Electrician

**⚠ DANGER** All wiring **must** be performed by a licensed, certified Electrician, in accordance with all local, state and national electrical codes.

The Electrician is required to:

- **Connect a 220 VAC power source to the Power Unit.** A power source is required. Refer to **Connecting the Power Source** for more information.
- **Install a Power Disconnect Switch.** The power disconnect ensures you can quickly and completely interrupt electrical power to the Lift in the event of an electrical circuit fault, emergency situation, or when equipment is undergoing service or maintenance. The disconnect switch must be within sight and easy reach of the Lift operator. Refer to **Install a Power Disconnect Switch** for more information.
- **Install a Thermal Disconnect Switch.** Ensures the equipment shuts down in the event of an overload or an overheated motor. Refer to **Install a Thermal Disconnect Switch** for more information. Note that the Power Unit that comes with the Lift is **not** thermally protected.

The Electrician is responsible for providing:

- an appropriate electrical plug to attach to the Power Unit
- a cable appropriately rated for the voltage and current connecting the power source to the plug on the Power Unit
- a Power Disconnect Switch
- a Thermal Disconnect Switch

Refer to **Wiring Diagram** for additional wiring information.

Additional information is supplied in the sections describing these tasks.

## Connecting the Power Source

The standard Power Unit for your Lift is 208-240 VAC, 50/60 Hz, single phase. The Power Unit must be connected to an appropriate power source.

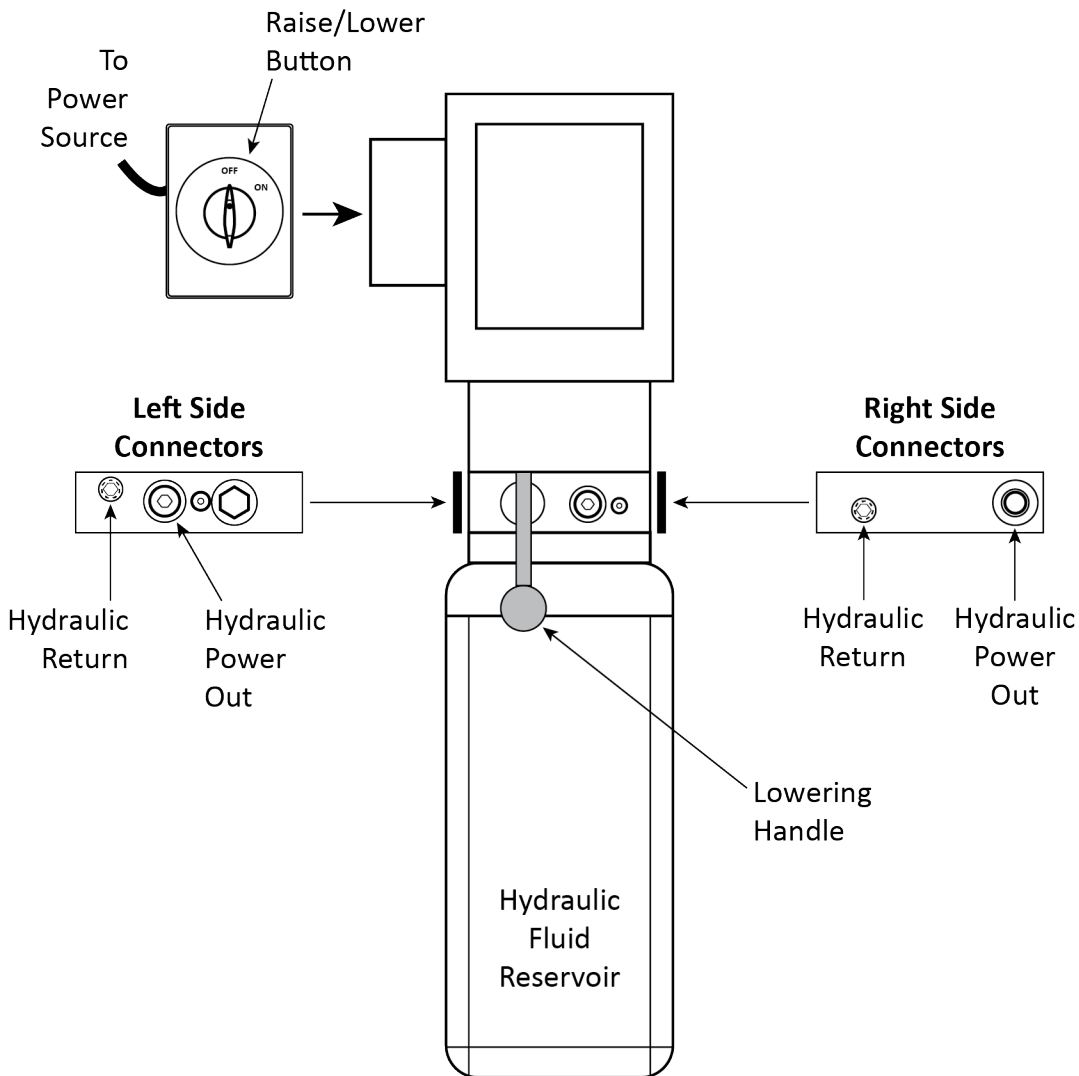
Refer to **Wiring Diagrams** for wiring information about both Power Units.

**⚠ DANGER** All wiring **must** be performed by a licensed, certified Electrician. Do not perform any maintenance or installation on the Lift without first making sure that main electrical power has been disconnected from the Lift and **cannot** be re-energized until all procedures are complete.

Important electrical information:

- Improper electrical installation can damage the Power Unit motor; this is not covered under warranty.
- Use a separate circuit breaker for each Power Unit.
- Protect each circuit with a time-delay fuse or circuit breaker. For a 220 VAC, single phase circuit, use a 25 amp or greater fuse.

The following drawing details the Power Unit.



### To connect the Power Unit to a power source:

1. Have a certified, licensed Electrician connect an appropriate plug to the wiring coming out of the top of the Power Unit (labelled **To Power Source** in the drawing above).

The plug is **not** supplied with the Lift.

2. Connect the power source cable to the plug you just connected.

Refer to **Wiring Diagrams** for proper wiring information.

The power source cable is **not** supplied with the Lift.

3. Double check to make sure the Hydraulic Fluid Reservoir has an adequate supply of fluid.

Do not run the Lift without adequate supply of Hydraulic Fluid; you will damage the Power Unit.

### Installing a Power Disconnect Switch

**⚠ WARNING** A main Power Disconnect Switch is **not** provided with this equipment.

A Power Disconnect Switch is a National Electrical Code (NEC) requirement. They are designed to interrupt electrical power in the event of an electrical circuit fault, emergency situation, or when equipment is undergoing service or maintenance.

BendPak strongly recommends that you install a Power Disconnect Switch that is properly rated for the incoming power.

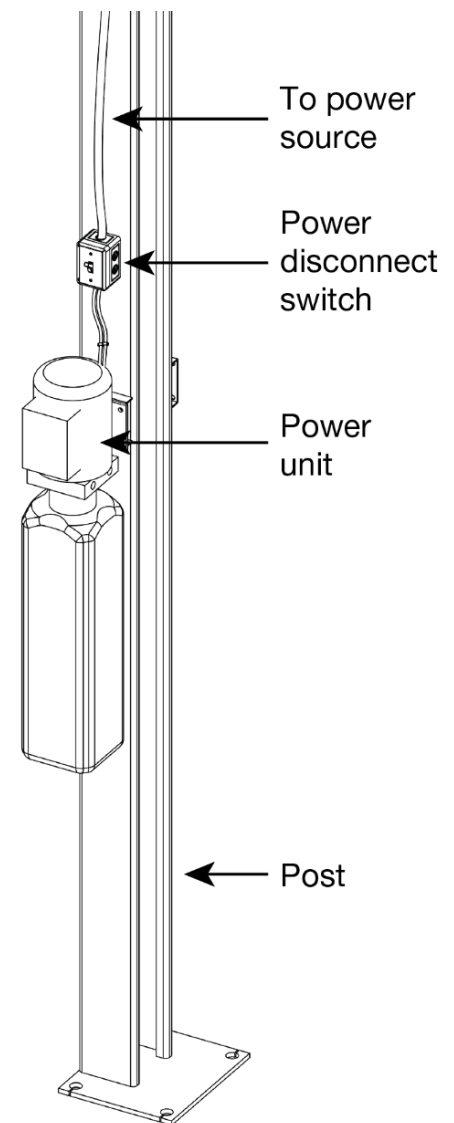
**⚠ DANGER** All wiring **must** be performed by a licensed, certified Electrician in accordance with local, state and national Electrical Codes.

Your Power Disconnect Switch must be readily accessible and installed so that it is in easy reach of the Lift operator. It must be clearly and legibly marked to indicate its purpose.

The drawing to the right shows a toggle Power Disconnect Switch between the Lift's power source and its Power Unit. A quick flip of the switch immediately cuts power to the Lift.

Make sure to have a certified Electrician install the Power Disconnect Switch.

Make sure the Electrician selects a UL-listed Power Disconnect Switch.



---

## Installing a Thermal Disconnect Switch

 **WARNING** The Lift's motor does **not** have Thermal Overload Protection.

Connect a motor Thermal Disconnect Switch or overload device that will shut down the equipment in the event of an overload or an overheated motor.

 **DANGER** All wiring **must** be performed by a licensed, certified Electrician.

High running electrical current that exceed the motor's full load amps (FLA) rating may result in permanent damage to the motor.

BendPak strongly recommends you **not** exceed the rated duty cycle of the Lift's motor.

## Anchoring the Posts


If you have not done so already, you need to anchor the Lift's four Posts. Install one Anchor Bolt in each corner of each Base Plate, 16 Anchor Bolts total.

Concrete specifications are:


- **Depth:** 4.25 inches thick
- **PSI:** 3,000 PSI, minimum
- **Cured:** 28 days, minimum

Anchor Bolt specifications are:

- **Length:** 4.75 inches
- **Diameter:** .75 inch
- **Effective embedment:** 2.75 inches
- **Anchor torque:** 85 – 95 pound feet (do *not* Torque less than 80 or more than 105)

 **WARNING** Your Concrete and Anchor Bolts **must** meet these specifications. Only install your Lift on a Concrete surface. If you install a Lift on asphalt or any other surface, or your Concrete or Anchor Bolts do not meet these specifications, it could lead to product damage, Vehicle damage, personal injury, or even loss of life.

BendPak Lifts are supplied with installation instructions and concrete fasteners meeting the criteria as prescribed by the American National Standard "Automotive Lifts – Safety Requirements for Construction, Testing, and Validation" ANSI/ALI ALCTV.

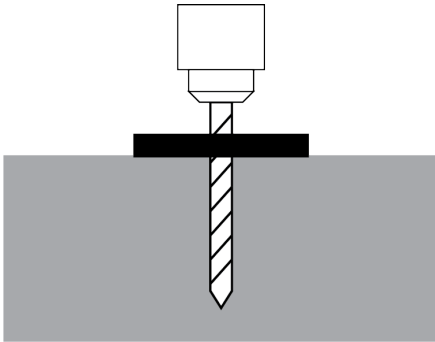
 **WARNING** Use only the Anchor Bolts that came with your Lift. If you use components from a different source, you void your warranty and compromise the safety of everyone who installs or operates the Lift.

Lift buyers are responsible for conforming to all regional, structural, and seismic anchoring requirements specified by any other agencies and/or codes, such as the Uniform Building Code and/or International Building Code.

---

### To anchor the Posts:

1. Locate the hardware you will need: four Anchor Bolts, four Nuts, and four washers **per Post**.
2. Using the Base Plates as guides, drill the holes for the Anchor Bolts—one hole in each corner of the Base Plate, so four holes total per Base Plate.

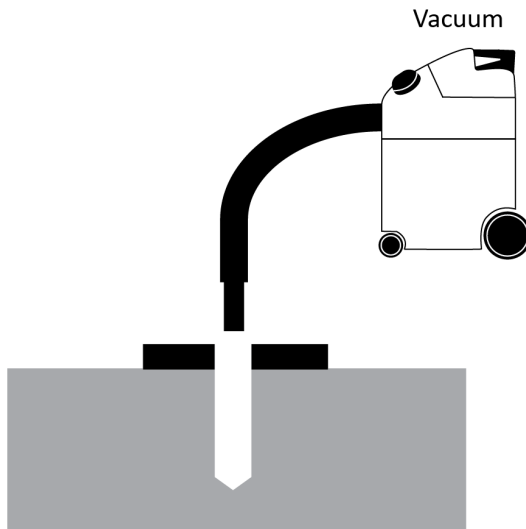


Go in straight, in the center of the hole; do not let the drill wobble.

Use a carbide bit (conforming to ANSI B212.15).

The diameter of the drill bit must be the same as the diameter of the Anchor Bolt. So if you are using a  $\frac{3}{4}$  inch diameter Anchor Bolt, for example, use a  $\frac{3}{4}$  inch diameter drill bit.

3. Vacuum each hole clean.



BendPak recommends using a vacuum to get the hole very clean. You can also use a wire brush, hand pump, or compressed air; just **make sure to thoroughly clean each hole**.

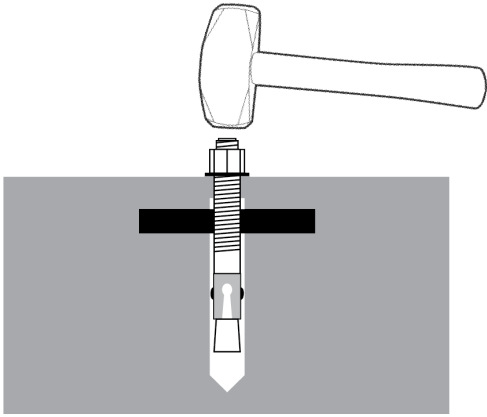
Do **not** ream the hole. Do **not** make the hole any wider than the drill bit made it.

#### **Important:**

The holding strength of an Anchor Bolt is partially based on the how cleanly the Expansion Sleeve presses against the Concrete. If the hole is dirty, the Expansion Sleeve does not press as cleanly, which means less holding strength. If the hole is too wide, the Expansion Sleeve does not press against the Concrete with as much force, again resulting in less holding strength.



4. Make sure the Washer and Nut are in place, then insert the Anchor Bolt into the hole.



The Expansion Sleeve of the Anchor Bolt may prevent the Anchor Bolt from passing through the hole in the Base Plate; this is normal. Use a hammer or mallet to get the Expansion Sleeve through the Base Plate and into the hole.

Even using a hammer or mallet, the Anchor Bolt should only go into the hole part of the way; this is normal. If the Anchor Bolt goes all the way in with little or no resistance, the hole is too wide.

Once past the hole in the Base Plate, the Anchor Bolt eventually stops going down into the hole as the Expansion Sleeve contacts the sides of the hole; this is normal.

5. Hammer or mallet the Anchor Bolt the rest of the way down into the hole.

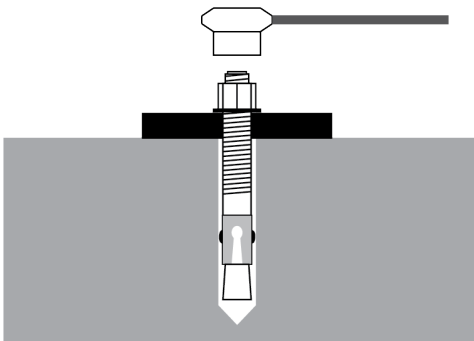
Stop when the Washer is snug against the Base Plate.

6. Plumb each Post; install any needed Shims.

Do not shim a Post more than half an inch using the provided Shims. A maximum of 2 inches is possible by ordering optional Shim Plates. Contact BendPak at **(800) 253-2363**, extension 191 to order. Please have the model and serial number of your Lift available.

Take your time while plumbing and shimming the Posts; ***it is important to make the Lift level as possible.***

7. Wrench each Nut ***clockwise*** to the recommended installation torque, 85 – 95 pound feet, using a Torque Wrench.



**Important:** Do ***not*** use an impact wrench to torque the Anchor Bolts.

Wrenching the Nut forces the Wedge up, forcing out the Expansion Sleeve and pressing it tightly against the Concrete.

---

## Final Leveling

Because you are installing an Alignment Lift, it is very important that the Lift's Runways are level, or as close to level as possible. The following procedure describes how to fine tune the Lift's level. The goal is that all four Safety Locks on the Lift engage at the same time and the ramps are parallel and level.

### To do final leveling on the Lift:

1. Raise your Lift to the first Safety Lock position.
2. Use a transit level or other leveling mechanism to evaluate how level the Posts and Runways are to each other.
3. If you need to adjust a Runway, use the Top Nut and Stop Nut on the Top Cap of each Post to make adjustments to the Ladder in that Post (which impacts the levelness of the Runway and thus when the Safety Locks engage).

4. Raise the Lift to full height, listening as the Safety Locks engage.

If the Safety Locks are engaging at the same time, no further adjustments are necessary.

If the Safety Locks are not engaging at the same time, check the leveling, make necessary adjustments, and then raise the Lift again and listen as the Safety Locks engage.

5. When you are satisfied the Lift is level, secure the Nuts at the top of each Post.

## Installing Accessories

The accessories available for your Lift include:

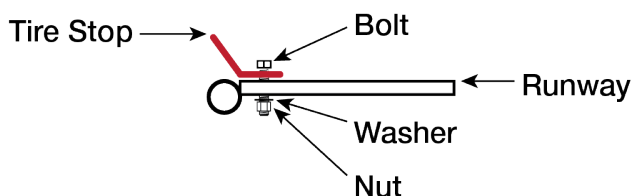
- **Tire Stops.** Installed at the Front of the Lift. Hold the front Tires of the Vehicle in position. BendPak recommends chocking the rear Tires, so that the Vehicle stays in place.
- **Ramps.** Installed at the Rear of the Lift. Allow Vehicles to be easily driven onto the Runways.
- **Alignment Turn Plates.** Installed at the Front of the Runways. Used for alignments.

### Tire Stops

Tire Stops are bolted onto the Front of the Lift. They prevent the tires of the Vehicle on the Lift from going too far forward.

#### To install the Tire Stops:

1. Locate the four Hex Head Bolts, Washers, and Nuts that you will need (two sets per Tire Stop).
2. Put one Tire Stop in position over the holes in the Runway, put the Bolt through the Tire Stop and the holes in the Runway, then secure the Tire Stop with the Washer and Nut on the underside of the Runway.



**Note:** Make sure to orient the Tire Stop so that it is sloping away from the Runways. This creates an angle best suited to holding the Tire in place.

3. Repeat Steps 1 and 2 for the second Tire Stop.

---

## Ramps

Your Lift comes with two Ramps, which are installed onto the Rear of the Lift so that Vehicles can drive onto the Runways.

### To install the Ramps:

1. Find the required components: two Ramps, two Ramp Pins, and four 18 mm Rotor Clips.
2. Put a Ramp into position on the end of a Runway at the Rear of the Lift, with the tube on the bottom of the Ramp between the two tubes on the end of the Runway.
3. Slide a Ramp Pin through the three tubes, then install Rotor Clips on both ends of the Ramp Pin.

**Note:** The Ramps are awkward, so you may want to consider having two people work together to install them: one to hold the Ramp, the other to put the components into place.

4. Repeat Steps 2 and 3 for the other Ramp.

## Alignment Turn Plates

Alignment Turn Plates are used for Vehicle alignments. They are used in conjunction with two Filler Plates per Runway to fill the lowered space at the Front of the Lift.

### To install the Alignment Turn Plates:

1. Find the required components: two Alignment Turn Plates and four Filler Plates.
2. Put one of the Alignment Turn Plates into place in the lowered space at the Front of one of the Runways.

The Alignment Turn Plate can go in the front, middle, or back of the lowered space; the Filler Plates go in the other locations.


Put the Alignment Turn Plate closer to the Front of the Lift (closer to the Tire Stops) if you are going to be doing alignments on Vehicles with shorter wheel bases.

Put the Alignment Turn Plate in the middle of the lowered space if you are going to be doing alignments on Vehicles with medium wheel bases.

For Vehicles with longer wheel bases (bigger trucks, for example), put the Alignment Turn Plate in the space closest to the Rear of the Lift. This orientation is also useful for Vehicles with longer fronts that would hang so far over the Front of the Lift that they interfere with the aligner.

Neither the Alignment Turn Plate nor the Filler Plates are bolted into place, making it easier to adjust them when necessary.

3. Repeat Step 2 for the other Alignment Turn Plate and Filler Plates.

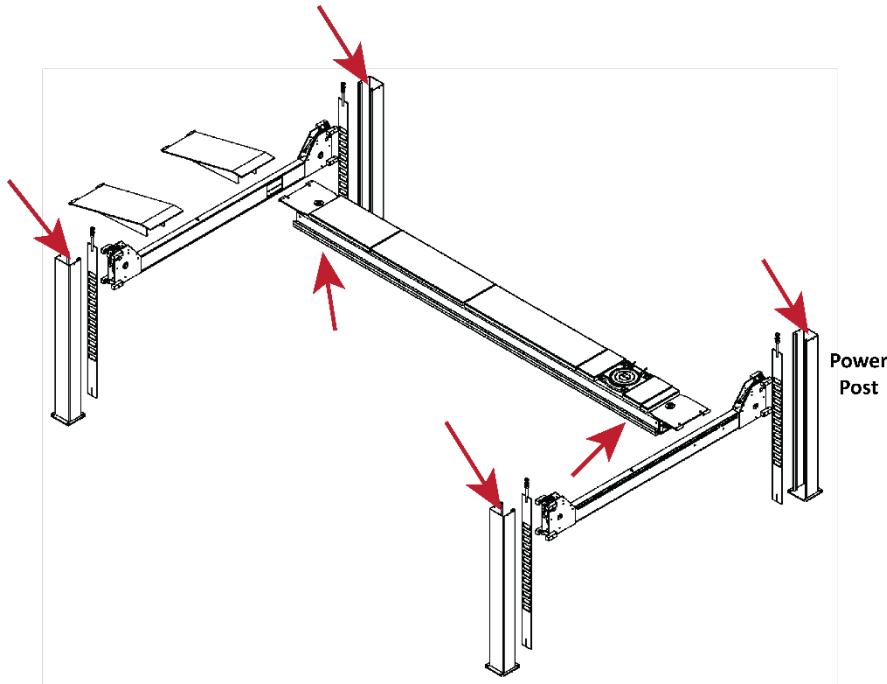
 **CAUTION** ***Do not drive a vehicle onto the Turn Plates.*** Drive slowly and carefully onto the Lift, Stop and turn off the Vehicle ignition. Place the Vehicle in neutral and have an assistant push it the last few inches on to the Turn Plates. Set the Parking Brake before exiting the Vehicle.

---

## Lubricating the Lift

There are six lubrication points on the Lift:

- Inside of the four Posts where the Slide Blocks travel, lubricate with White Lithium Grease.
- The 4 Stacked Sheaves (on the Powerside Runway at the Rear of the Lift) and another above the 2 Stacked Sheaves on the Powerside Runway at the Front of the Lift. Remove Sheave pins and lubricate with Red Lithium grease as required.



Put a small amount of white lithium grease or similar inside each Post in the Slide block contact area before you use the Lift and monthly after putting the Lift into service.

## Bleeding the Hydraulic Cylinder

The Hydraulic System on the Lift is self-bleeding, which means that in most cases any air in the system can be removed by raising and lowering the Runways a few times; “bleeding” the Hydraulic System of the unwanted air.

**⚠ WARNING** Before performing any maintenance on your Lift (for example, bleeding the Hydraulic Cylinder or adding Hydraulic Fluid), make sure both Runways are on the ground and the power source has been disconnected.

Symptoms of air in the Hydraulic System include Runways moving erratically and/or making odd noises. These could be caused by other situations; refer to [Troubleshooting](#) for more information.

### To bleed the Hydraulic System:

1. Raise and lower the Runways up to six times; ***pause for at least one minute between each cycle.***

The Lift’s motor cannot run continuously; it is designed for regular use, but not continuous use.

2. Watch the Runways as you raise and lower them.

When the Lift stops moving erratically or stops squeaking, you can stop the bleeding process.

- 
3. Check the Hydraulic Fluid reservoir on the Power Unit.

Bleeding the Hydraulic System may significantly lower the amount of Hydraulic Fluid in the reservoir.

4. Add additional Hydraulic Fluid if necessary.

If your Lift is still moving erratically or making odd noises after bleeding the Hydraulic System, refer to **Troubleshooting** for more information.

## Performing an Operational Test


BendPak strongly recommends doing an Operational Test of your Lift with a typical Vehicle before starting normal service (a typical Vehicle is not required, but is recommended).

During the Operational Test, watch the Lift and its components and check for proper installation and operation. If you run into an issue that does not go away, refer to **Troubleshooting** for more information.

**Note:** Residual air in the Hydraulic System can cause the Lift to shake, move erratically, or squeak when you start using it; this is normal. If it happens, do not worry; it will go away as the Hydraulic System is self-bleeding. If it does not go away, refer to **Troubleshooting** for additional information.

### To test your Lift:

1. Check the area around, above, and under the Lift for obstructions; move them if you find any.
2. Drive the Vehicle onto the Lift. Try to center the Vehicle's tires in the middle of each Runway.  
Put the Vehicle into park, apply the parking brake, put it in gear if it is a manual transmission, and chock the wheels.
3. Move the Raise/Lower Button to On, and hold it there (if you do not hold it, it returns to Off).  
Both Runways start rising.
4. After the Runways pass one or two Safety Locks (you will hear them clank as they hit a Safety Lock position), release the Raise/Lower Button. The Runways stop rising.
5. Press and hold the pushbutton on the Pushbutton Air Valve, then press and hold the Lowering Handle.  
The Runways start lowering.
6. When the Runways get all the way to the ground, release the Lowering Handle.
7. Wait for one minute.

 **CAUTION** Always take a break between cycles. The Power Unit's motor is **not** constant duty; it cannot be run continuously.

8. Repeat the process, this time raising the Runways to a higher Safety Lock position.
9. If the Lift is working without shaking, moving erratically, or squeaking, there is no need to repeat the procedure.

If the Lift is shaking, moving erratically, or squeaking (which is normal during the start-up period), repeat the procedure a couple more times, with at least a one-minute break between cycles.

If you continue to have issues, refer to **Troubleshooting** for assistance.

---

## Final Checklist Before Operation

Make sure these things have been done **before** putting the Lift into service:

- Review the **Installation Checklist** to make sure all steps have been performed.
- Make sure the Power Unit is getting power from the power source.
- Check the Hydraulic Fluid reservoir on the Power Unit; it must be full of approved Hydraulic Fluid or automatic transmission fluid. **You can damage the motor by running it without enough fluid.**
- Check the Hydraulic System for leaks.
- Make sure all four Posts are properly anchored, shimmed, level, and stable.
- Make sure all Cables are properly seated in their Sheaves.
- Make sure all Safety Locks are operating normally.
- Make sure the backup Slack Safety Locks are **not** engaged.
- Make sure a copy of the *Installation and Operation Manual* is left with the Lift.
- If it has not been done already, perform an Operational Test of the Lift with a typical vehicle. Refer to **Performing an Operational Test**.

## Operation

This section describes how to operate your Lift.

### Safety Considerations

Do the following every time **before** you raise a Vehicle on your Lift:

- **Check the Lift.** Walk all the way around the Lift, checking for any missing, heavily worn, or damaged parts. Do not operate the Lift if you find any issues; instead, take it out of service, then contact your dealer, email [support@bendpak.com](mailto:support@bendpak.com), or call **(800) 253-2363**.
- **Check the area.** Keep the area around and under the Lift clean and free of obstructions; anything that could cause a problem. Do not forget to check **above** the Lift. If you find an obstruction, move it out of the way. If you find any other issues, resolve them before using the Lift. Do not allow any people or animals within 30 feet of the Lift while it is in motion.
- **Check the operators.** Make sure everyone who is going to operate the Lift has been trained in its use, has read the labels on the unit, and has read the manual. Only the operator at the Controls should be within 30 feet of the Lift when it is in motion.

Do not allow children to operate the Lift. Do not allow anyone under the influence of drugs, alcohol, or medication to operate the Lift. Do not allow any unauthorized personnel to operate the Lift.

- **Check for safety.** Make sure everyone who is going to be walking near the Lift is aware of its presence and takes appropriate safety measures. Only put Vehicles on the Runways.

When raising a vehicle, do not leave it until it is engaged on a Safety Lock. When lowering the Lift, do not leave it until it is on the ground.

- **Check the vehicle.** Never exceed the Lift's weight rating. Do not allow people inside a Vehicle you are going to raise. Make sure the Vehicle is not overbalanced on either end or either side.

## Using the Controls

The Controls for the Lift include:

- **Raise/Lower Button.** Move to On and hold to raise the Runways. Located near the top of the Power Unit on the left side. If you do not hold it in the On position, it automatically returns to Off.

**To put Runways onto a Safety Lock position.** Raise the Runways a little past where you want them using the Raise/Lower Button, release the Raise/Lower button, then press and hold the Lowering Handle to back the Runways down onto the Safety Locks position (**do not press and hold the pushbutton on the Pushbutton Air Valve**). When the Runways stop going down, they are engaged on their Safety Locks.

*Before leaving the Lift, make sure all four corners are engaged on their Safety Locks.*

- **Lowering Handle.** Press and hold to lower the Runways. Located in the middle of the Power Unit, the Lowering Handle is long and has a ball at the end.

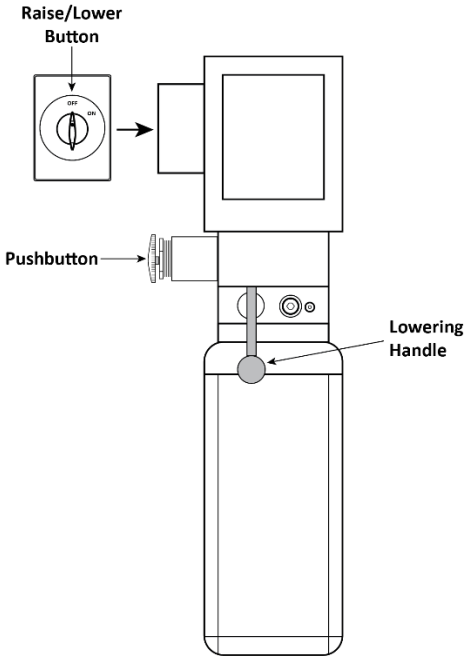
**To lower raised Runways down to the ground. press and hold** the pushbutton on the Pushbutton Air Valve first, then **press and hold** the Lowering Handle.

**IMPORTANT** Raise the platform off its safety locks before attempting to lower.

*Watch the Runways as they go down to verify they are coming down evenly. If they are not, stop lowering the Lift and troubleshoot the problem.*

**⚠ WARNING:** Only leave your Lift either engaged on Safety Locks or fully lowered.

- **Pushbutton Air Valve.** Press and hold the pushbutton on the Pushbutton Air Valve as part of the process to lower the Runways. Located on one side or the other of the Power Unit (depending on where it was installed). Pressing and holding the pushbutton on the Pushbutton Air Valve disengages the Safety Locks, which is needed to lower the Runways.


|  |  |   |
|--|--|---|
| <p><b>To raise Runways to a Safety Lock:</b></p> <ol style="list-style-type: none"><li>1. Move Raise/Lower Button to On, and hold.</li><li>2. When just past desired height, release Raise/Lower Button.</li><li>3. Press and hold the Lowering Handle.</li><li>4. Runways stop going down when engaged on Safety Locks; release Lowering Handle when they stop.</li></ol> <p><i>Do not press and hold Pushbutton.</i></p> |  <p>The diagram illustrates the control panel of the lift. At the top is a circular 'Raise/Lower Button' with 'OFF' and 'ON' positions. Below it is a 'Pushbutton' on the left side. At the bottom is a 'Lowering Handle' with a ball end. Arrows point from the text labels to the corresponding components in the diagram.</p> | <p><b>To lower Runways:</b></p> <ol style="list-style-type: none"><li>1. Press and hold Pushbutton.</li><li>2. Press and hold Lowering Handle.<br/>Runways begin lowering.</li><li>3. When Runways are fully lowered, release Pushbutton and Lowering Handle.</li><li>4. Drive Vehicle off Runways.</li></ol> |
|--|--|---|

---

## Raising and Lowering Vehicles

Keep the following in mind when operating your Lift:

- **Be safe.** Make sure to check for people, pets, and objects that might be in the path of the Lift as you raise or lower it. If there is something in the way, stop the Lift and move it out of the way. Watch the Lift carefully as it raises and lowers.


 **DANGER** Pay careful attention when you are raising or lowering your Lift. If a person or pet gets stuck under the Lift, they could be injured or, in rare cases, killed. If a problem arises, either stop the Lift or get it back to the ground, whichever is safest.

- **The Power Disconnect Switch is there for a reason.** We hope you never have to use it, but if something unexpected happens, use the **Power Disconnect Switch** to immediately stop the Lift from moving.
- **Get what you need out of the Vehicle before lifting it.** It is annoying to raise a Vehicle and then realize you left something inside. *Never raise your Lift with people in the vehicle.*
- **Make sure the Vehicle is balanced.** If there is extra weight on one end or the other, remove the extra weight or balance it *before* raising the vehicle.
- **Center the Vehicle's wheels on the Runway.** Centered wheels keep the Vehicle balanced.

### To raise a vehicle:

1. Make sure the Runways are fully lowered. If they are not, move them down to the ground.
2. Drive a Vehicle onto the Runways.

Put the front wheels up against the Tire Stops. Make sure all four wheels are fully on the Runways, as close to the center of the Runways as possible. Put the Vehicle into park and put on the parking brake. If it is a manual transmission, make sure it is in a gear, not in neutral. Chock the tires.

 **CAUTION** If using the Turnplates, **do not drive a vehicle onto the Turnplates.** Drive slowly and carefully onto the Lift, Stop and turn off the Vehicle ignition. Place the Vehicle in neutral and have an assistant push it the last few inches on to the Turnplates. Set the Parking Brake before exiting the Vehicle.


3. Move the Raise/Lower Button to **On**, and hold it there.

If you release the Raise/Lower Button, it automatically returns to **Off** and the Lift will stop moving. The Runways begin to rise.

4. When the Runways get to the desired height, go up a little bit more, release the Raise/Lower Button, and then press and hold the Lowering Handle.

The Runways move down and engage on the most recently passed Safety Locks.

How do you know if one of the four Safety Locks has, for some reason, not engaged? If this happens, the non-engaged corner of the Lift will continue to go down when you use the Lowering Handle to back the Runways down onto the Safety Locks, while the others will engage on their Safety Locks and stop moving. This results in a Runway that is not flat. Always check to make sure that all four Safety Locks are engaged; you know they are if both Runways are completely flat.

 **WARNING:** Leave your Lift either engaged on Safety Locks or fully lowered.

5. With the Runways engaged on a Safety Lock, check around the Vehicle to make sure everything looks good. **If you see anything wrong, fix it before anyone gets near the Runways or goes under them.**




---

**To lower a Vehicle:**

1. Verify there are no obstructions under the Runways you are about to lower.  
If there are, move them out of the way before lowering the Runways.
2. Move the Raise/Lower button to **On** long enough to raise the load off of the Safety Locks, then release the raise/lower button.
3. Press and hold the pushbutton on the Pushbutton Air Valve, then press and hold the Lowering Handle.  
The Runways start lowering.
4. When the Runways are fully lowered, release the pushbutton and the Lowering Handle.
5. Remove the tire chocks.
6. Drive the Vehicle off the Runways.


---

# Maintenance


 **DANGER** Before performing any maintenance on your Lift, make sure it is completely disconnected from power.

## To maintain your Lift:

- **Daily:** Keep the Lift clean. Wipe up any spills, clean any dirt.
- **Daily:** Make a visual inspection of all moving parts and check for damage or excessive wear. Replace any damaged or worn parts before using the Lift.

 **DANGER** Do not use the Lift if the Cables are damaged or extremely worn. If a Vehicle is raised when you notice the damage or extreme wear, very carefully lower the Vehicle to the ground. When the Lift is on the ground, take it out of service, disconnect it from power, and make arrangements to fix the damage or wear.

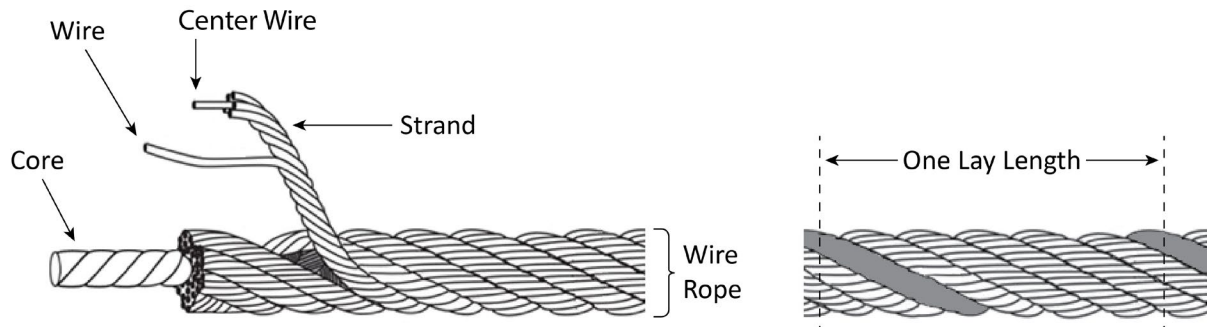
- **Daily:** Make sure all Safety Locks are in good operating condition. Do not use your Lift if the Safety Locks are damaged or excessively worn.
- **Monthly:** Check all labels on the Lift. Replace them if they are illegible or missing.
- **Monthly:** Grease the lubrication points on the Lift. Use white lithium grease or similar.
- **Monthly:** Check Hydraulic Fluid levels. Refill if low.
- **Monthly:** Lubricate the wire rope (Cables). Use a wire-rope lubricant such as 90-WT gear oil or ALMASOL® Wire Rope Lubricant.
- **Every two months:** Check all Anchor Bolts to make sure they are properly torqued. If they are loose, tighten them.
- **As needed.** Take the Lift out of service and then replace the Cables if there are signs of damage or extreme wear.

 **WARNING:** Do not operate your Lift if you find maintenance issues; instead, take the Lift out of service, then contact your dealer, visit [bendpak.com/support](https://www.bendpak.com/support), email [support@bendpak.com](mailto:support@bendpak.com), or call **(800) 253-2363**.

## Wire Rope Inspection and Maintenance

Your Lift's Cables, which are wire rope, should be inspected regularly:

- Wire rope should be replaced when there are visible signs of damage or extreme wear. *Do not use the Lift if it has damaged or worn Cables; **take it out of service!***



- Wire rope should be maintained in a well-lubricated condition at all times.

Wire rope is only fully protected when each wire strand is lubricated both internally and externally. Excessive wear shortens the life of wire rope. Use a wire-rope lubricant that penetrates to the core of the rope and provides long-term lubrication between each individual strand, such as 90-WT gear oil or ALMASOL® Wire Rope Lubricant. To make sure that the inner layers of the rope remain well lubricated, lubrication should be done at least every three months during normal operation.

- All Sheaves and guide rollers that contact moving wire rope should be given regular visual checks for surface wear and lubricated to make sure they run freely. This should be done every three months during normal operation.

For all sheave axles, use standard wheel bearing grease. For all Sheaves and/or guide rollers, use 90-WT gear oil or a similar heavy lubricant, applied by any method including pump/spray dispensing, brush, hand, or swabbing.

- How often should you inspect?

Wire rope should be visually inspected at least once each day when in use, as suggested by American Petroleum Institute's Recommended Practice 54 guidelines. Any wire rope that meets the criteria for removal must be immediately replaced.

- When should you replace wire rope due to broken wires?

Wire rope should be removed from service if you see six randomly distributed broken wires within any one lay length (where a single strand makes a full turn around the rope) or three broken wires in one strand within one lay length.

- Are there other reasons to replace your wire rope?

Yes. Corrosion that pits the wires and/or connectors, evidence of kinking, crushing, cutting, bird-caging, or a popped core, wear that exceeds 10% of a wire's original diameter, or heat damage.

- How do you find broken wires?

- a. Relax your rope to a stationary position and move the pick-up points off the Sheaves. Clean the surface of the rope with a cloth — a wire brush, if necessary — so you can see any breaks.
- b. Flex the rope to expose any broken wires hidden in the valleys between the strands.
- c. Visually check for any broken wires. One way to check for crown breaks is to run a cloth along the rope to check for possible snags.
- d. With an awl, probe between wires and strands and raise any wires that appear loose.

# Troubleshooting

**Note:** If your Lift is not functioning correctly, you must take it out of service until it is fixed.

**Unless stated otherwise, all maintenance can be performed by the owner/employer and does not require trained lift service personnel.**

**⚠ DANGER** Before performing maintenance on your Lift, make sure it is disconnected from power. The Lift uses electrical energy; if your organization has Lockout/Tagout policies, make sure to implement them before performing any maintenance. If you come into contact with high voltage/current, you could be injured or killed.

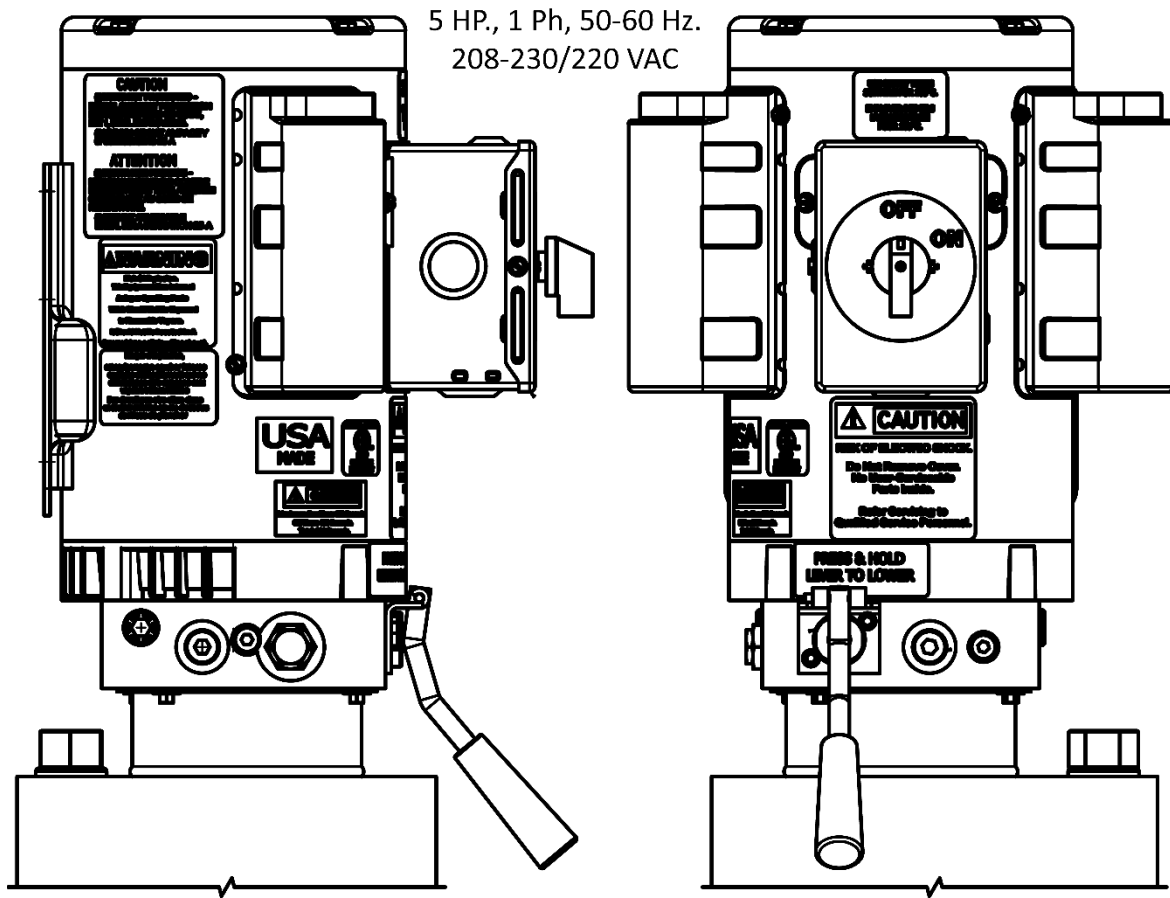
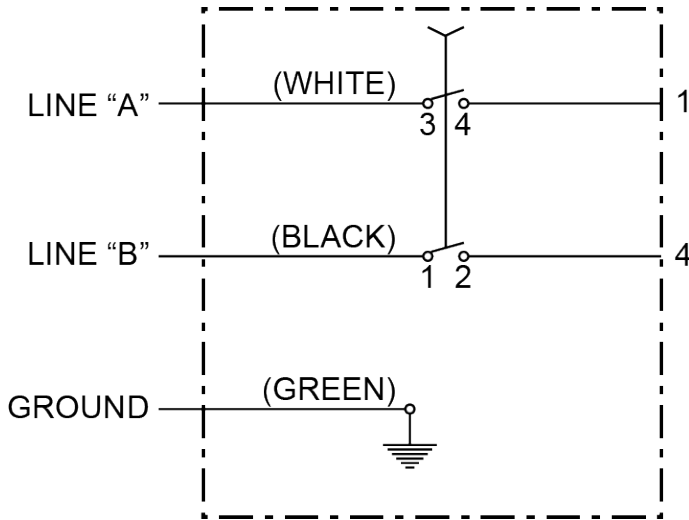
|  |   |
|--|---|
| Runways do not lower, once raised.   | <p>Verify there is sufficient Hydraulic Fluid in the reservoir.</p> <p>Verify there is no air in the Hydraulic System.</p> <p>Make sure none of the Hydraulic Hoses are pinched or leaking.</p> <p>Make sure the Power Unit is getting power.</p> <p>Contact BendPak Technical Support at (800) 253-2363 x191</p> |
| Runways do not lower past the nearest Safety Lock even when pressing and holding the pushbutton. | <p>Problem with the Air Lines; check to make sure all sections of the Air Line are connected and not leaking.</p>   |
| One corner of the Lift is lower than the other three corners.                                    | <p>The Safety Lock on the lower corner is not engaged. Raise the Runways up, then lower them down onto the Safety Locks.</p> <p>Check to make sure all four Safety Locks are engaged.</p>   |
| Runways move erratically or squeak when in use.  | <p>Move the Runways up and down a few times to flush any residual air from the Hydraulic System. Make sure to pause for at least two minutes between cycles.</p>  |
| Runways do not stay up.  | <p>Check for leaking Hydraulic Fluid.</p> <p>Make sure the Runways are left on their Safety Locks.</p>  |
| Motor not running.   | <p>Check the connection to the power source; make sure it is plugged in and of the appropriate voltage.</p> <p>Check the wiring diagram.</p>  |
| Hydraulic Fluid is dirty.  | <p>Replace the dirty fluid with clean, approved Hydraulic Fluids, such as Dexron III, Dexron VI, Mercon V, Mercon LV, Shell Tellus S4 / S3 / S2, or comparable.</p>   |
| Runways make odd noises.   | <p>Lubricate the bushings on the sheaves on the sides of the Crosstubes using white lithium grease. A break-in period may be needed, If the noises persist, contact BendPak Support.</p>  |

If you continue to have issues with your Lift, take it out of service, then contact your dealer, go to [bendpak.com/support](http://bendpak.com/support), email [support@bendpak.com](mailto:support@bendpak.com), or call **(800) 253-2363 x191**.

# Wiring Diagram

## Power Unit 5585186

**A Licensed Electrician is required to install a Power Disconnect and Thermal Disconnect. Disconnects are not supplied with the Lift. Note: Alternative power units may be supplied with the Lift based on availability or specific order requirements.**



# Labels

A



B

**⚠ DANGER**

**VISUALLY CONFIRM THAT ALL PRIMARY SAFETY LOCKS ARE ENGAGED BEFORE ENTERING WORK AREA.**

Suspension components on this lift are intended to raise and lower lift; they are NOT load-holding devices. Do not go under an elevated lift until visual confirmation is made that the lift is engaged on its Safety Locks. Refer to the manual for proper Safety Lock procedures and additional instructions.

**VÉRIFIER VISUELLEMENT QUE TOUS LES VERROUS DE SÉCURITÉ PRIMAIRES SONT ENGAGÉS AVANT D'ENTRER DANS LA ZONE DE TRAVAIL.**

Les composants de suspension de cet élévateur sont destinés à élever et abaisser l'ascenseur; ce ne sont PAS des dispositifs de maintien de la charge. Ne passez pas sous un ascenseur surélevé avant d'avoir obtenu la confirmation visuelle que l'ascenseur est engagé sur ses serrures de sécurité. Reportez-vous au manuel pour connaître les procédures de verrouillage de sécurité et les instructions supplémentaires.

---

**⚠ WARNING**

**Wire Rope Inspection and Maintenance**

- Replace lifting cables if wear or damage is evident, such as excessive broken strands, kinks, deformities, or areas of heavy abrasion.
- Keep wire rope in a well-lubricated condition at all times. Wire rope is only fully protected when each wire strand is lubricated, both internally and externally. Excessive wear shortens the life of wire rope. Use wire rope lubricant that is suitable to the core of the rope and provides long-term lubrication between individual strands. Lubrication should be done at least every three months during normal operation.
- All sheaves and guide rollers in contact with the moving wire rope should be given regular visual checks for surface wear and lubricated to make sure they run freely. This should be done at least every three months during normal operation. For sheave balls, use standard wheel-bearing grease. For all sheaves and/or guide rollers, use 90-WT gear oil or similar heavy lubricant applied by any method including pump/spray dispensing, brush, hand, and/or wicking.

**Failure to read, understand, and follow these instructions may cause death or serious injury. Read and understand these instructions before using lift.**

---

**⚠ ATTENTION**

**Inspection et maintenance des câbles**

- Remplacez les câbles de levage si l'usure ou des dommages sont évidents, tels que des brins cassés, des fentes, des déformations ou des zones de forte abrasion excessive.
- Gardez le câble métallique bien lubrifié en tout temps. Le câble métallique n'est entièrement protégé que lorsque chaque brin est lubrifié, à la fois à l'intérieur et à l'extérieur. Une usure excessive raccourcit la durée de vie du câble. Utilisez un lubrifiant pour câbles métalliques qui pénètre dans le noyau du câble et assure une lubrification à long terme entre les brins. La lubrification doit être effectuée au moins tous les trois mois en fonctionnement normal.
- Toutes les poulies et les points de guidage en contact avec le câble métallique en mouvement doivent être soumis à des contrôles visuels réguliers de l'usure de la surface et lubrifiés pour assurer un fonctionnement librement. Cela devrait être fait au moins tous les trois mois pendant le fonctionnement normal. Pour les billes de roue, utilisez de la graisse standard pour roulement de roue. Pour toutes les poulies et tous les points de guidage, utilisez de l'huile pour engrenages 90-WT ou lubrifiant équivalent similaire, appliqué selon n'importe quelle méthode, y compris la distribution par pompe / spray, brosse, main et / ou wicking.

**Lisez et comprenez ces instructions avant d'utiliser l'ascenseur. Ne pas lire, comprendre et suivre ces instructions peut provoquer des blessures graves, voire mortelles.**

---

**IMPORTANT OPERATION / MAINTENANCE INSTRUCTIONS - PLEASE READ**

**TO RAISE LIFT**

- ✓ Position vehicle tire at the center of each platform.
- ✓ Set parking brake or use wheel chock to hold vehicle in position.
- ✓ Before raising vehicle, be sure all personnel are clear of lift and surrounding area. Pay careful attention to overhead obstructions.
- ✓ Raise lift to desired height by pressing pushbutton on power unit.
- ✓ Maintain visual contact with vehicle and surrounding area at all times while raising lift.
- ✓ Stop immediately if load shifts or becomes unlevel.
- ✓ After vehicle is raised to desired height, lower lift onto the manual Safety Lock. Do not allow vehicle to become excessively slack.
- ✓ Always make sure all **Primary Safety Locks are engaged** before entering work area.

**TO LOWER LIFT**

- ✓ Make sure all personnel, tools, and equipment are clear of lift and surrounding area.
- ✓ Lower lift by pressing pushbutton on power unit. Lower lift at least ten inches to allow safe passage for tools to clear.
- ✓ Press and hold Protection Air Valve.
- ✓ Lower vehicle by also pressing and holding Lowering Handle.
- ✓ When lowering lift, make sure feet of personnel and objects are kept clear.
- ✓ Always keep a visual line of sight on lift while lowering.
- ✓ Always make sure safety locks are disengaged if you do the locks manually engage or descent. Lift and/or vehicle may descend causing personal injury or death.

**REQUIRED MONTHLY MAINTENANCE**

- ✓ Consult operator manual for factory recommended maintenance.
- ✓ Adjust lift cables to ensure lift moves level and Safety Locks engage automatically.
- ✓ Check all checkable connections, nuts and pins to ensure proper mounting.
- ✓ Visually inspect Safety Locks for proper operation.
- ✓ Visually inspect controls. Do not use lift to exceed those steps of manufacturer after determination.
- ✓ Inspect all air lines, cables, and hoses as necessary.
- ✓ Check pins for expansion and slant.
- ✓ Inspect all belts and other fasteners to make sure they are properly secured.
- ✓ Make a visual inspection of all moving parts and check clearances of clearance work.
- ✓ Replace all faulty parts before lift is put back into operation.

---

**⚠ WARNING**

- Warning if another lifts or frame, or any component of the lift is defective, do not use lift. Do not work under these conditions.
- Never operate the lift with people or equipment inside it.
- Always respect rated capacity.
- Always ensure safety locks are engaged before any attempt is made to work on or near vehicle.
- Do not leave lift elevated unless engaged on safety locks.
- Do not permit the electric motor to get wet. Motor damage caused by dampness is not covered by the warranty.

**⚠ ATTENTION**

- Attention: si le cadre ou un composant de l'ascenseur est défectueux, n'utilisez pas d'ascenseur! Do not use lift under these conditions.
- Ne jamais permettre à l'ascenseur d'être utilisé avec des personnes ou des équipements à l'intérieur.
- Respectez toujours la capacité nominale.
- Assurez-vous toujours que les serrures de sécurité sont engagées avant toute tentative de travail sur ou à proximité de l'ascenseur.
- Ne laissez pas l'ascenseur surélevé sans être engagé sur les serrures de sécurité.
- Ne laissez pas le moteur électrique se mouiller. Les dommages au moteur causés par l'humidité ne sont pas couverts par la garantie.

C

**⚠ CAUTION**

**Lift to be used by trained operator ONLY.**

**⚠ CAUTION**

**Authorized personnel only in lift area.**

The messages and pictographs shown are generic in nature and are meant to generally represent hazards common to all automotive lifts regardless of specific style.

Funding for the development and validation of these labels was provided by the Automotive Lift Institute, PO Box 85 Cortland, NY 13045. Replacement label sets may be obtained from the original lift manufacturer and ALI's member companies. They are protected by copyright. www.autolift.org © 2012 by ALI, Inc. ALI/PL/2009

---

**⚠ WARNING**

**Clear area if vehicle is in danger of falling.**

**⚠ WARNING**

**Remain clear of lift when raising or lowering vehicle.**

---

**⚠ WARNING**

**Keep clear of pinch points when lift is moving.**

**⚠ WARNING**

**Keep feet clear of lift while lowering.**

---

**⚠ WARNING**

**Do not override self-closing lift controls.**

**⚠ WARNING**

**Check wheel to prevent vehicle movement.**

The messages and pictographs shown are generic in nature and are meant to generally represent hazards common to all automotive lifts regardless of specific style.

Funding for the development and validation of these labels was provided by the Automotive Lift Institute, PO Box 85 Cortland, NY 13045. Replacement label sets may be obtained from the original lift manufacturer and ALI's member companies. They are protected by copyright. www.autolift.org © 2012 by ALI, Inc. ALI/PL/2009

---

**NOTICE**

**Read operating and safety manuals before using lift.**

**NOTICE**

**Proper maintenance and inspection is necessary for safe operation.**

---

**NOTICE**

**Do not operate a damaged lift.**

The messages and pictographs shown are generic in nature and are meant to generally represent hazards common to all automotive lifts regardless of specific style.

Funding for the development and validation of these labels was provided by the Automotive Lift Institute, PO Box 85 Cortland, NY 13045. Replacement label sets may be obtained from the original lift manufacturer and ALI's member companies. They are protected by copyright. www.autolift.org © 2012 by ALI, Inc. ALI/PL/2009

HDS-18EA Alignment Lift

70

P/N 5900970 — Rev. D — April 2022

D

**⚠ DANGER**

**THE MAXIMUM LIFTING CAPACITY FOR THIS LIFT IS DESCRIBED BELOW**

|   |
|---|
| <b>Maximum Lifting Capacity</b>                 |
| 18,000 lbs. / 8,165 kg                          |
| <b>Max. Lifting Cap. / Front of Lift Center</b> |
| 9,000 lbs. / 4,082 kg                           |
| <b>Max. Lifting Cap. / Rear of Lift Center</b>  |
| 9,000 lbs. / 4,082 kg                           |

Exceeding the weight capacity of this lift can damage lift and/or property and may cause personal harm, injury or death to operators and/or bystanders. All vehicles MUST be positioned on lift with CENTER OF GRAVITY midway between adapters and/or centered on runways. Damage to lift due to overloading or misuse IS NOT covered under warranty.

---

**LA CAPACITÉ DE LEVAGE MAXIMUM POUR CE LEVAGE EST DÉCRIT CI-DESSOUS**

|  |
|--|
| <b>Capacité de Levage Maximale</b>                             |
| 18,000 lbs. / 8,165 kg   |
| <b>Max. Capacité De Levage / Avant de centre de relevement</b> |
| 9,000 lbs. / 4,082 kg  |
| <b>Max. Capacité De Levage / Arrière du centre de levage</b>   |
| 9,000 lbs. / 4,082 kg  |

Le dépassement de la capacité de poids de cet élévateur peut endommager l'appareil et / ou les biens et peut causer des dommages corporels, des blessures ou la mort aux opérateurs et / ou aux passagers. Tous les véhicules DOIVENT être placés sur l'élévateur avec le CENTRE DE GRAVITÉ à mi-chemin entre les adaptateurs et / ou au centre des plates. Dommages à soulever dus à la surcharge ou une mauvaise utilisation N'EST PAS couverte par la garantie.

E

**⚠ ATTENTION ⚠**

MAXIMUM LIFTING CAPACITY  
CAPACITÉ DE LEVAGE MAXIMUM

18000 Lbs.  
8165 Kg.

PN 5905975

F

BP BendPak<sup>®</sup>

SANTA PAULA, CA USA  
WWW.BENDPAK.COM  
PN 5905940

LIFT TYPE: SURFACE MOUNT      MFG. BPK SEE DATA PLATE FOR PRODUCT DETAILS  
POWER: ELECTRIC-HYDRAULIC      INSTALLATION - SEE OWNERS GUIDE OR CONTACT FACTORY

SAFETY INSTRUCTIONS: IF ATTACHMENTS, ACCESSORIES OR CONFIGURATION MODIFYING COMPONENTS THAT ARE LOCATED IN THE LOAD PATH, AFFECT OPERATION OF THE LIFT AFFECT THE LIFT ELECTRICAL LISTING OR AFFECT INTENDED VEHICLE ACCOMMODATION ARE USED ON THIS LIFT AND, IF THEY ARE NOT CERTIFIED FOR USE ON THIS LIFT, THEN THE CERTIFICATION OF THIS LIFT SHALL BECOME NULL AND VOID. CONTACT THE PARTICIPANT FOR INFORMATION PERTAINING TO CERTIFIED ATTACHMENTS, ACCESSORIES OR CONFIGURATION MODIFYING COMPONENTS.

BENDPAK LIFTS ARE SUPPLIED WITH CONCRETE FASTNERS MEETING THE CRITERIA AS PRESCRIBED BY ASTM E488 - 96(2003). LIFT BUYERS ARE RESPONSIBLE FOR ANY SPECIAL REGIONAL STRUCTURAL AND/OR SEISMIC ANCHORING REQUIREMENTS SPECIFIED BY ANY OTHER AGENCIES AND/OR CODES SUCH AS THE UNIFORM BUILDING CODE (UBC) AND/OR INTERNATIONAL BUILDING CODE (IBC).

THE MANUFACTURE, USE, SALE OR IMPORT OF THIS PRODUCT MAY BE SUBJECT TO ONE OR MORE UNITED STATES PATENTS, OR PENDING APPLICATIONS, OWNED BY BENDPAK, INC.  
DO NOT REMOVE      ENGINEERED BY BENDPAK INC. USA      MADE IN CHINA

G

NOTICE

If attachments, accessories, or configuration modifying components used on this lift are located in the load path and affect operation of the lift, affect the lift electrical listing, or affect intended vehicle accommodation; and if they are not certified for use on this lift, then the certification of this lift shall become null and void. Contact the participant for information pertaining to certified attachments, accessories, or configuration modifying components.

www.autolift.org    ©2011 by ALI, Inc.    ALI / WLSIA01

H

⚠ WARNING

SLIPPERY WHEN WET OR ICY

Use caution when driving onto wet or icy drive-up ramps and platforms. **DO NOT** walk on lift surfaces that are wet or icy.

⚠ AVERTISSEMENT

GLISSANT LORSQU'IL EST MOUILLÉ OU GLACÉ

Soyez prudent lorsque vous conduisez sur des rampes d'accès mouillées ou verglacées et les plateformes. **NE PAS** marcher sur des surfaces de levage humides ou glacées.

PN 590538

Slipper\_When\_Wet\_Label-5905138.pdf:

PN 5905138

Size: 4.5"W x 2.5"H

I

CERTIFIED AUTOMOTIVE LIFT

INDEPENDENTLY TESTED  
**ALI**  
CERTIFIED  
AND VALIDATED

ALI CERTIFIED  
To the provisions of  
**ANSI/ALI ALCTV-2011**  
SAFETY REQUIREMENTS FOR  
CONSTRUCTION, TESTING  
AND VALIDATION

Automotive Lift Institute, Inc. | Cortland, NY 13845

MET LISTED  
Conforms to  
**ANSI/UL 201**  
SAFETY STANDARD FOR  
GARAGE EQUIPMENT

MET Laboratories, Inc.  
BALTIMORE, MD 21205

Certification Label Serial Number:

AL00617000J

J

BP BendPak<sup>®</sup>

Santa Paula, CA USA  
www.bendpak.com

|  |               |
|--|---------------|
| MODEL NUMBER   |               |
| DESCRIPTION  |               |
| LIFT CAPACITY  | DATE OF MFG.  |
| ROLLING JACK MAX CAP.  | MAX PSI / BAR |
| VOLTAGE  | SERIAL NUMBER |
| <input type="checkbox"/> 110-240V, 50-60 Hz, 1 Ph<br><input type="checkbox"/> 208-240V, 50-60 Hz, 1 Ph<br><input type="checkbox"/> 380-415V, 50-60 Hz, 3 Ph<br><input type="checkbox"/> 208-440V, 50-60 Hz, 3 Ph | UPC           |

**DANGER!**   
Undervoltage power Before Starting      WARRANTY VOID IF DATA PLATE IS REMOVED    PN 5905953

K



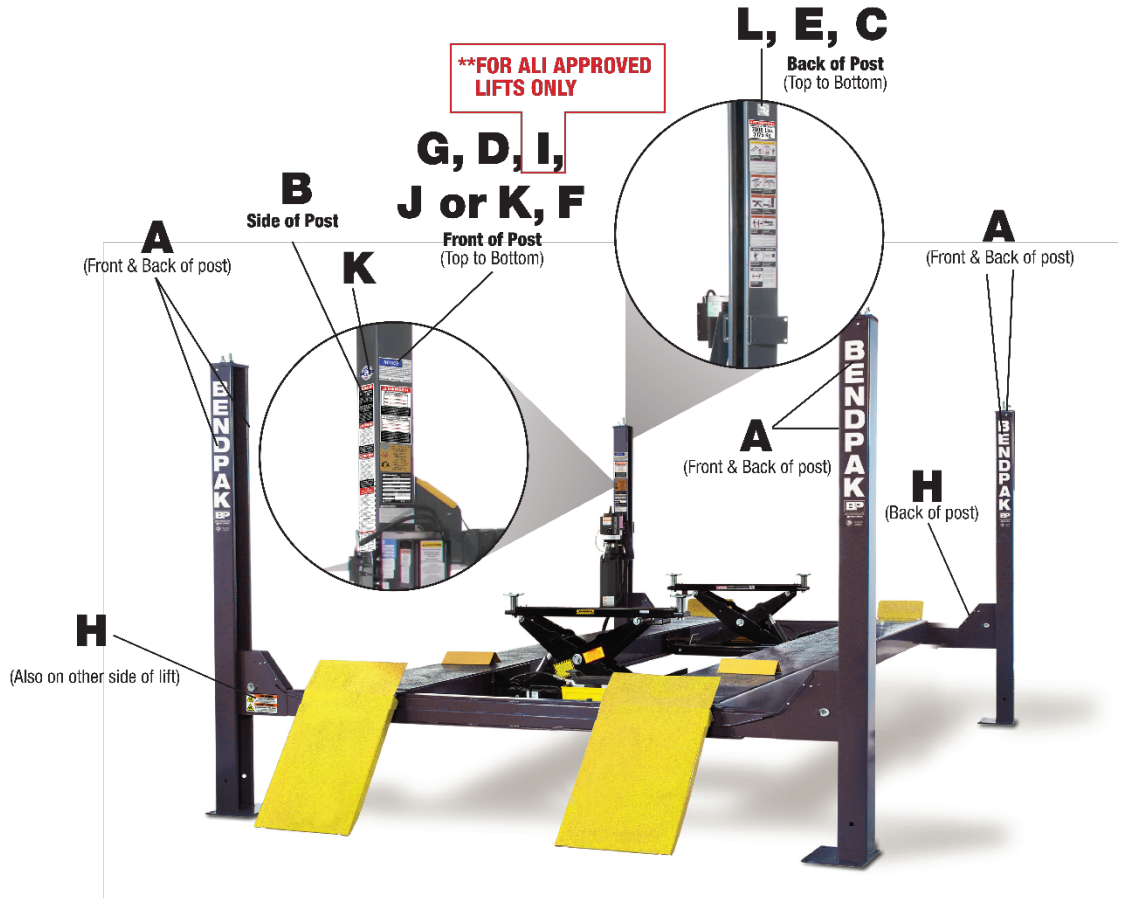
L

**CALIFORNIA PROPOSITION 65**

**⚠ WARNING ⚠**

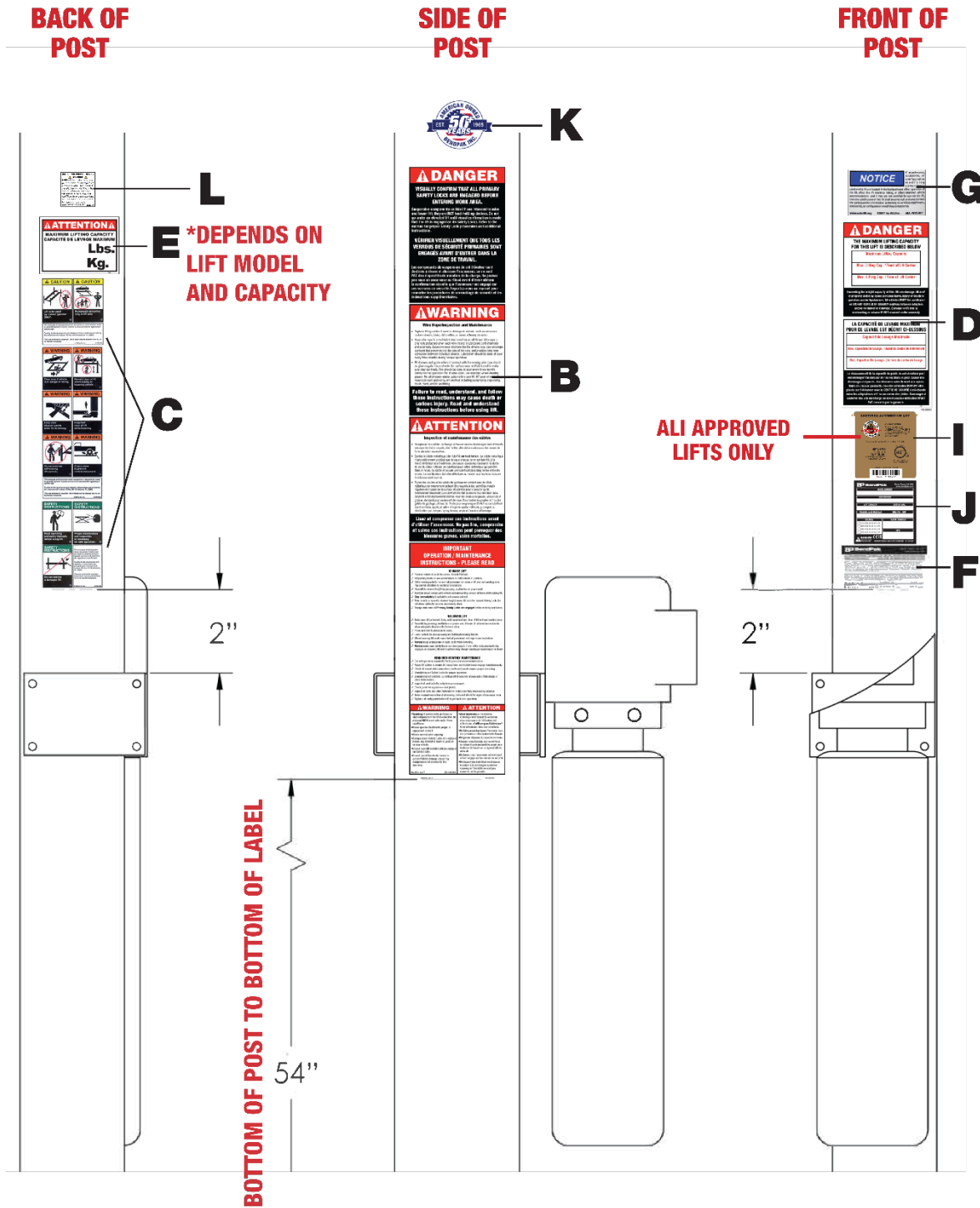
**WARNING!** This product can expose you to chemicals including styrene and vinyl chloride which are on the list of over 900 chemicals identified by the State of California to cause cancer, birth defects or reproductive harm. ALWAYS use this product in accordance with the manufacturer's instructions.

For more information, go to [www.p65warnings.ca.gov](http://www.p65warnings.ca.gov). PN 5905775

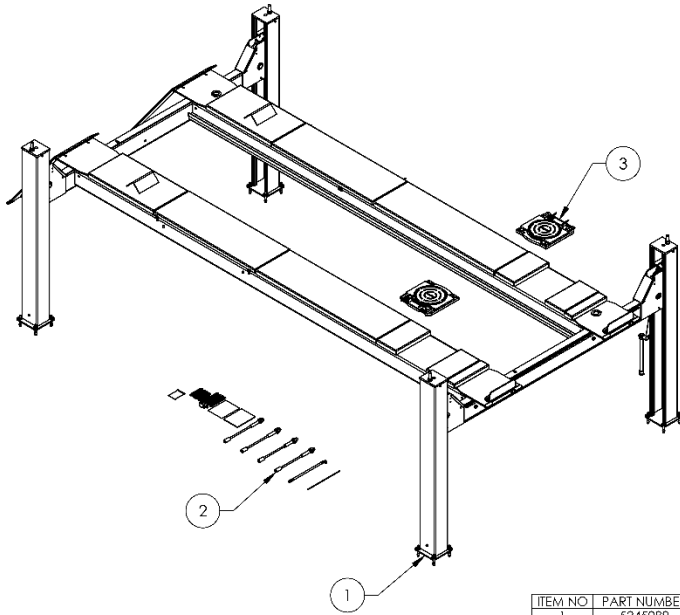




# Views of Powerside Post



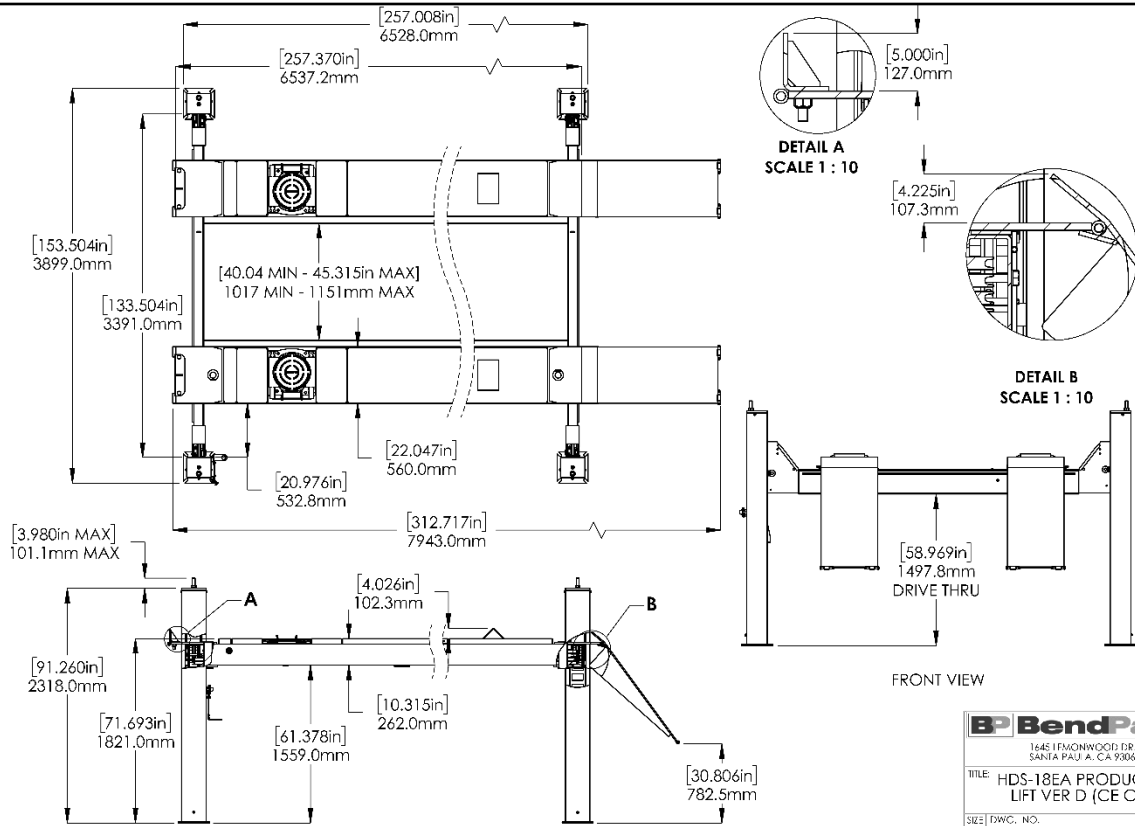
# Parts Drawings



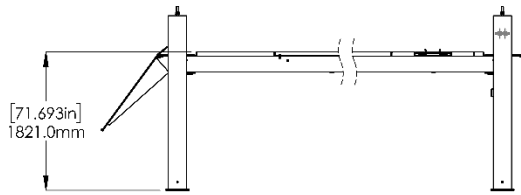
| ITEM NO | PART NUMBER | DESCRIPTION  | QTY | REV |
|---------|-------------|--|-----|-----|
| 1       | 5245089     | HDS-18EA LIFT SUPERSTRUCTURE                             | 1   | D   |
| 2       | 5250286     | HDS-18EA PARTS BOX                                       | 1   | J   |
| 3       | 5700236     | ALUMINUM DELUXE ALIGNMENT TURNPLATE ASSEMBLY, SET OF TWO | 1   | B   |

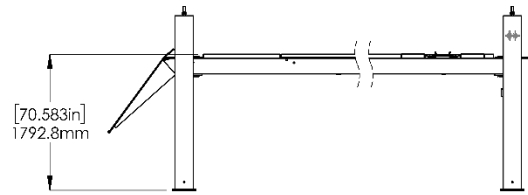
|                      |      |            |   |
|----------------------|------|------------|---|
| DO NOT SCALE DRAWING | NAME | DATE       | <b>BP BendPak</b><br>1645 FIMONWOOD DR.<br>SANTA PAULI, CA 94606  |
| DRAWN                | TM   | 12/15/2017 |   |
| CHECKED              |      |            |   |
| DIMENSIONS ARE IN MM |      |            | TITLE: HDS-18EA PRODUCTION LIFT VER D (CE CERT)<br>SIZE: DWG. NO. <b>A</b> 5260605 REV <b>F</b><br>SCALE: 1:50 SHEET 1 OF 3 |



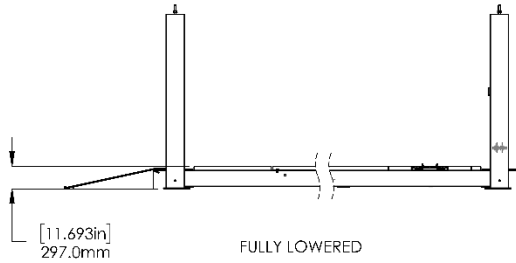
|  |                  |              |
|--|------------------|--------------|
| <b>BP BendPak</b><br>1645 FIMONWOOD DR.<br>SANTA PAULI, CA 94606 |                  |              |
| TITLE: HDS-18EA PRODUCTION LIFT VER D (CE CERT)                  |                  |              |
| SIZE: <b>A</b>   | DWG. NO. 5260605 | REV <b>F</b> |
| SCALE: 1:45  |                  | SHEET 2 OF 3 |



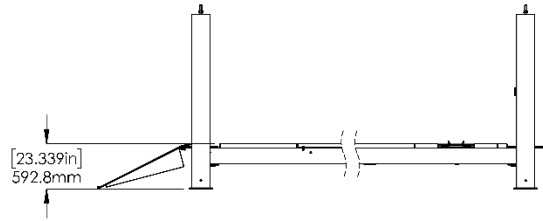
FULL RISE



TOP LOCK



FULLY LOWERED



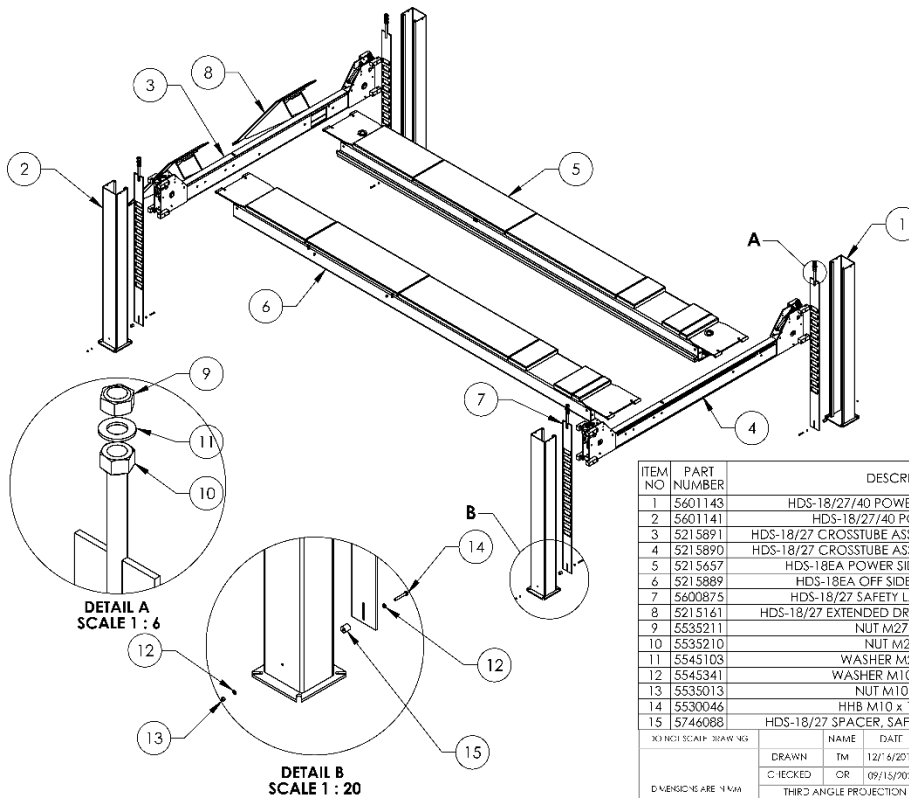
LOWEST LOCK

**BendPak**  
 1645 LEMMONWOOD DR.  
 SANTA PAULA, CA 93060

TITLE: HDS-18EA PRODUCTION  
 LIFT VER D (CE CERT)

|          |          |     |
|----------|----------|-----|
| SIZE     | DWG. NO. | REV |
| <b>A</b> | 5260605  | F   |

SCALE: 1:60 SHEET 13 OF 3



| ITEM NO | PART NUMBER | DESCRIPTION                                | QTY | REV |
|---------|-------------|--|-----|-----|
| 1       | 5601143     | HDS-18/27/40 POWER POST WELDMENT           | 1   | B   |
| 2       | 5601141     | HDS-18/27/40 POST WELDMENT                 | 3   | B   |
| 3       | 5215891     | HDS-18/27 CROSSTUBE ASSEMBLY, LARGE WINDOW | 1   | C   |
| 4       | 5215890     | HDS-18/27 CROSSTUBE ASSEMBLY, SMALL WINDOW | 1   | C   |
| 5       | 5215657     | HDS-18EA POWER SIDE RAMP ASSEMBLY          | 1   | K   |
| 6       | 5215889     | HDS-18EA OFF SIDE RAMP ASSEMBLY            | 1   | A   |
| 7       | 5600875     | HDS-18/27 SAFETY LADDER WELDMENT           | 4   | C   |
| 8       | 5215161     | HDS-18/27 EXTENDED DRIVE UP RAMP ASSEMBLY  | 2   | J   |
| 9       | 5535211     | NUT M27 x 3.0 NL                           | 4   | -   |
| 10      | 5535210     | NUT M27 x 3.0                              | 4   | --  |
| 11      | 5545103     | WASHER M27 x 50mm                          | 4   | --  |
| 12      | 5545341     | WASHER M10 x Ø20 FLAT                      | 8   | --  |
| 13      | 5535013     | NUT M10 x 1.5 NL                           | 4   | --  |
| 14      | 5530046     | HHB M10 x 1.5 x 65mm                       | 4   | -   |
| 15      | 5746088     | HDS-18/27 SPACER, SAFETY LADDER, 31mm LG   | 4   | B   |

30 INCH SCALE DRAWING

|         |    |            |  |
|---------|----|------------|--|
| DRAWN   | TM | 12/16/2019 | <b>BendPak</b><br>1645 LEMMONWOOD DR.<br>SANTA PAULA, CA 93060 |
| CHECKED | CR | 09/15/2021 |  |

DIMENSIONS ARE IN MM

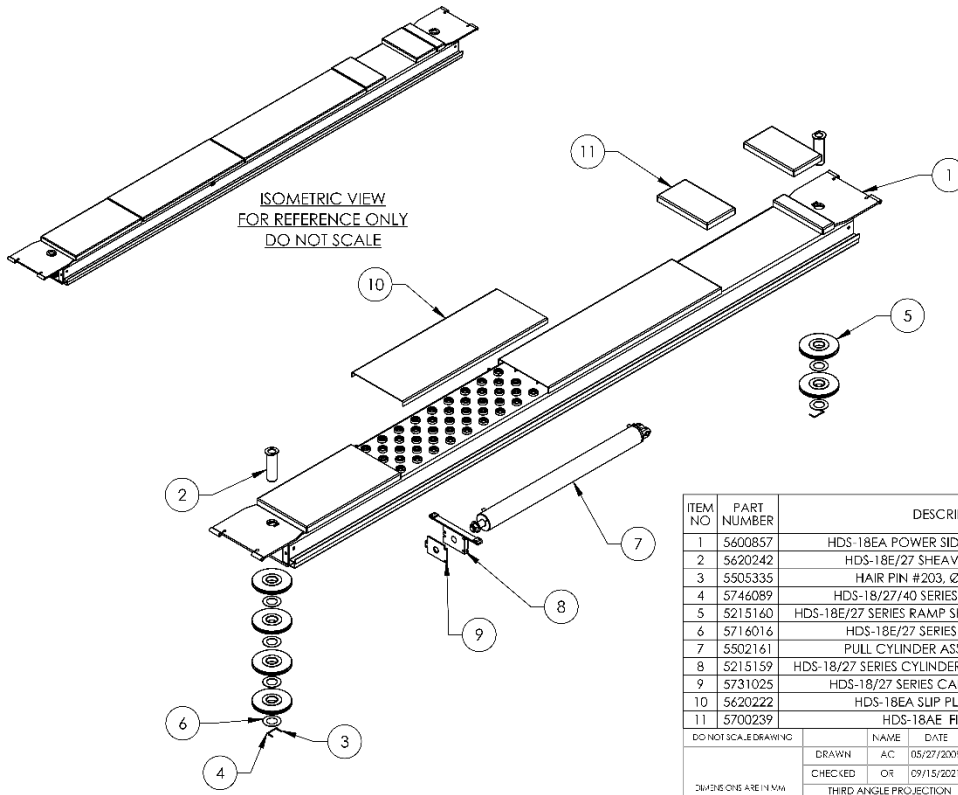
THIRD ANGLE PROJECTION

TITLE: HDS-18EA LIFT SUPERSTRUCTURE

|          |          |     |
|----------|----------|-----|
| SIZE     | DWG. NO. | REV |
| <b>A</b> | 5245089  | D   |

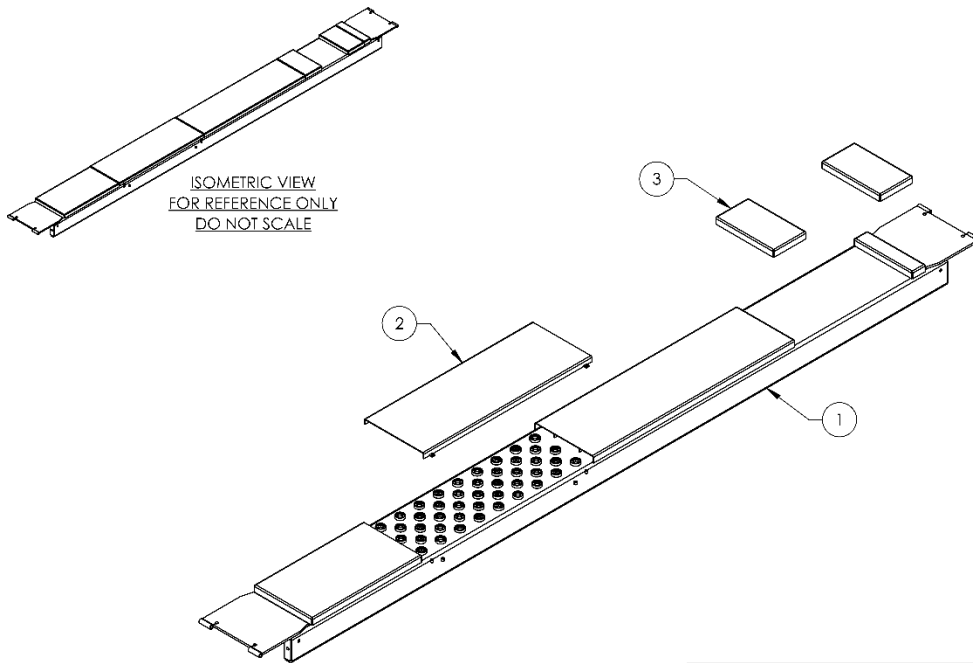
SCALE: 1:55 SHEET 1 OF 1

PROPRIETARY AND CONFIDENTIAL  
 ALL RIGHTS RESERVED © BENDPAK INC. 2021  
 NO PART OF THIS DOCUMENT IS TO BE REPRODUCED OR TRANSMITTED IN ANY FORM OR BY ANY MEANS, ELECTRONIC OR MECHANICAL, INCLUDING PHOTOCOPYING, RECORDING, OR BY ANY INFORMATION STORAGE AND RETRIEVAL SYSTEM.  
 BENDPAK INC. 1645 LEMMONWOOD DR. SANTA PAULA, CA 93060



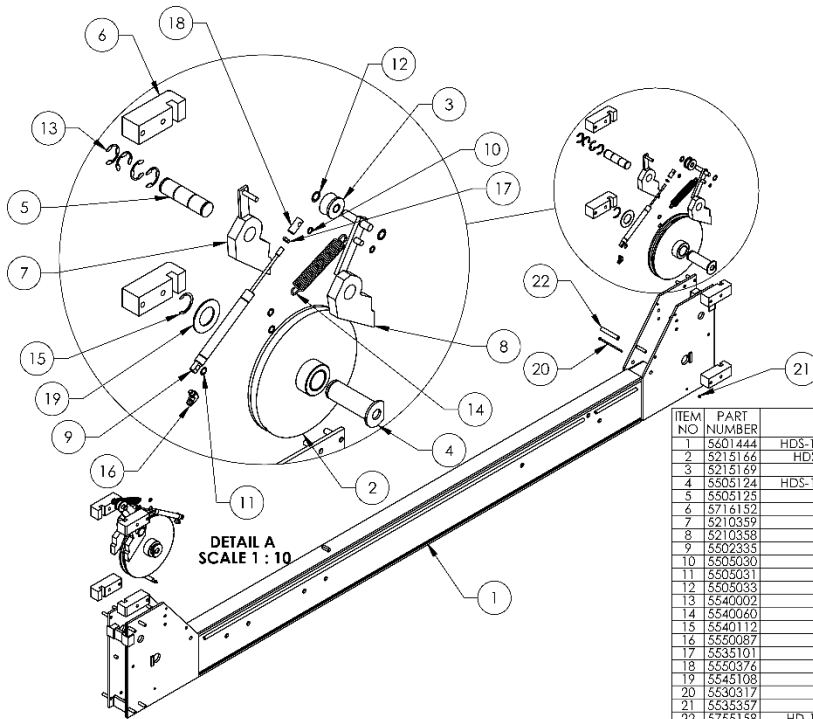
| ITEM NO | PART NUMBER | DESCRIPTION                                   | QTY | REV |
|---------|-------------|---|-----|-----|
| 1       | 5600857     | HDS-18EA POWER SIDE RAMP WELDMENT             | 1   | C   |
| 2       | 5620242     | HDS-18E/27 SHEAVE PIN WELDMENT                | 2   | C   |
| 3       | 5505335     | HAIR PIN #203, Ø0.093" X 1 5/8"               | 4   | -   |
| 4       | 5746089     | HDS-18/27/40 SERIES SHEAVE SHAFT PIN          | 2   | D   |
| 5       | 5215160     | HDS-18E/27 SERIES RAMP SHEAVE ROLLER ASSEMBLY | 6   | D   |
| 6       | 5716016     | HDS-18E/27 SERIES SHEAVE SPACER               | 6   | C   |
| 7       | 5502161     | PULL CYLINDER ASSEMBLY Ø5.0 x 60              | 1   | N   |
| 8       | 5215159     | HDS-18/27 SERIES CYLINDER FLANGE ARM ASSEMBLY | 1   | H   |
| 9       | 5731025     | HDS-18/27 SERIES CABLE RETAINER PLATE         | 1   | B   |
| 10      | 5620222     | HDS-18EA SLIP PLATE WELDMENT                  | 1   | E   |
| 11      | 5700239     | HDS-18AE FILLER PLATE                         | 2   | A   |

|                        |    |  |      |   |
|------------------------|----|--|------|---|
| DO NOT SCALE DRAWING   |    | NAME                                     | DATE | <b>BendPak</b><br>1645 LEMONWOOD DR.<br>SANTA PAULA, CA 93060 |
| DRAWN                  | AC | 05/27/2019                               |      |   |
| CHECKED                | OR | 09/15/2021                               |      |   |
| THIRD ANGLE PROJECTION |    | TITLE: HDS-18EA POWER SIDE RAMP ASSEMBLY |      |   |
| SIZE                   |    | DWG. NO.                                 | REV  |   |
| A                      |    | 5215657                                  | K    |   |
| SCALE: 1:35            |    |  |      | SHEET 1 OF 2  |



| ITEM NO | PART NUMBER | DESCRIPTION                     | QTY | REV |
|---------|-------------|---------------------------------|-----|-----|
| 1       | 5601442     | HDS-18EA OFF SIDE RAMP WELDMENT | 1   | A   |
| 2       | 5620222     | HDS-18EA SLIP PLATE WELDMENT    | 1   | D   |
| 3       | 5700239     | HDS-18AE FILLER PLATE           | 2   | A   |

|                        |    |  |      |   |
|------------------------|----|--|------|---|
| DO NOT SCALE DRAWING   |    | NAME                                   | DATE | <b>BendPak</b><br>1645 LEMONWOOD DR.<br>SANTA PAULA, CA 93060 |
| DRAWN                  | TM | 12/16/2019                             |      |   |
| CHECKED                | CA | 12/19/2019                             |      |   |
| THIRD ANGLE PROJECTION |    | TITLE: HDS-18EA OFF SIDE RAMP ASSEMBLY |      |   |
| SIZE                   |    | DWG. NO.                               | REV  |   |
| A                      |    | 5215889                                | A    |   |
| SCALE: 1:30            |    |  |      | SHEET 1 OF 1  |



| ITEM NO | PART NUMBER | DESCRIPTION                                  | QTY | REV |
|---------|-------------|--|-----|-----|
| 1       | 5601444     | HDS-18/27 CROSSTUBE WELDMENT, SMALL WINDOW   | 1   | A   |
| 2       | 5215166     | HDS-18/27 SERIES CROSSTUBE SHEAVE ASSEMBLY   | 2   | D   |
| 3       | 5215169     | HDS-18/27 SAFETY ROLLER ASSEMBLY             | 2   | D   |
| 4       | 5505124     | HDS-18/27/40 CROSSTUBE SHEAVE SHAFT WELDMENT | 2   | G   |
| 5       | 5505125     | HDS-18/27/40 SAFETY PIN                      | 2   | E   |
| 6       | 5716152     | HDS-18/27 POLYETHYLENE SLIDE BLOCK           | 8   | G   |
| 7       | 5210359     | HDS-18/27/40 SAFETY WELDMENT #1              | 2   | D   |
| 8       | 5210358     | HDS-18/27/40 SAFETY WELDMENT #2              | 2   | E   |
| 9       | 5502335     | AIR CYLINDER, Ø.75 x 4.0" STROKE             | 2   | -   |
| 10      | 5505030     | ROTOR CLIP 10mm SS                           | 4   | -   |
| 11      | 5505031     | ROTOR CLIP 12mm SS                           | 6   | -   |
| 12      | 5505033     | ROTOR CLIP 16mm SS                           | 4   | -   |
| 13      | 5540002     | E RING Ø1.375" OD TRUARC X5133-137           | 8   | -   |
| 14      | 5540060     | SPRING Ø29 x 178mm, SLACK SAFETY             | 2   | A   |
| 15      | 5540112     | SNAP RING, TRUARC 5103-175                   | 2   | -   |
| 16      | 5550087     | FIG FLB -.04 COMP x .02 NPT                  | 2   | -   |
| 17      | 5535101     | 3/8-16 HEX NUT JAM                           | 2   | -   |
| 18      | 5550376     | HDS-18/27/40 ADAPTER, 1" AIR CYLINDER        | 2   | D   |
| 19      | 5545108     | WASHER M45 x 80 FLAT                         | 2   | -   |
| 20      | 5530317     | HHB M6 x 1 x 136                             | 2   | -   |
| 21      | 5535357     | NUT M6 x 1.0 NL                              | 2   | -   |
| 22      | 5755138     | HD-18/27/40 CROSSTUBE SPACER Ø16 x Ø10 x 102 | 2   | B   |

EO NOT SCALE DRAWING

NAME: DA-B

DATE: 12/12/2019

DRAWN: IM

CHECKED: CR

DATE: 09/15/2021

THIRD ANGLE PROJECTION

SMILES

PROPRIETARY AND CONFIDENTIAL

1645 LEMONWOOD DR. SANTA PALI A, CA 93060

BP BendPak

TITLE: HDS-18/27 CROSSTUBE ASSEMBLY, SMALL WINDOW

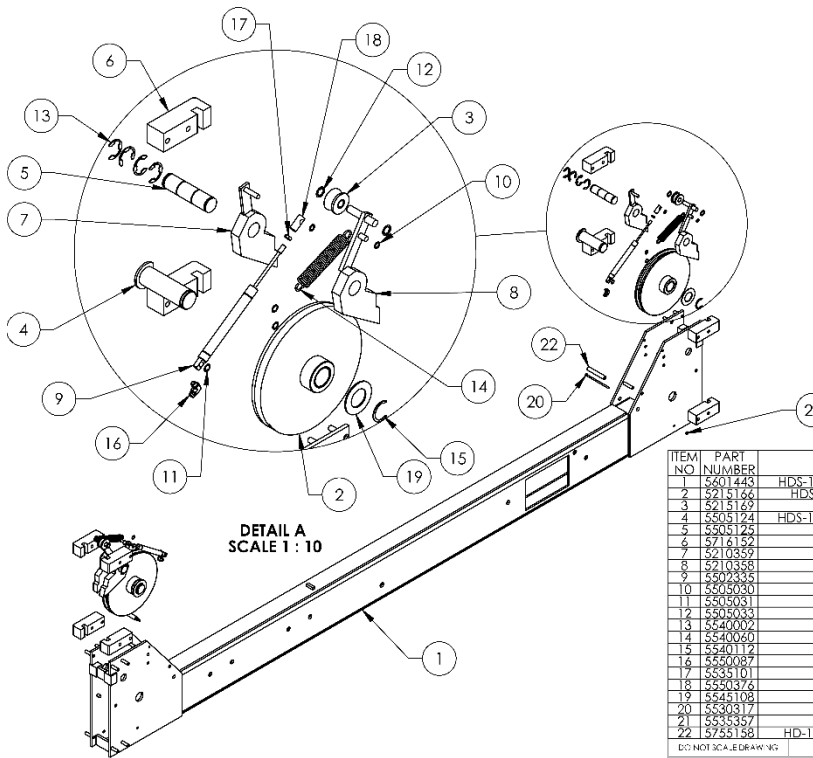
SIZE: A

DWG. NO.: 5215890

REV: C

SCALE: 1:20

SHEET 1 OF 1



| ITEM NO | PART NUMBER | DESCRIPTION                                  | QTY | REV |
|---------|-------------|--|-----|-----|
| 1       | 5601443     | HDS-18/27 CROSSTUBE WELDMENT, LARGE WINDOW   | 1   | A   |
| 2       | 5215166     | HDS-18/27 SERIES CROSSTUBE SHEAVE ASSEMBLY   | 2   | D   |
| 3       | 5215169     | HDS-18/27 SAFETY ROLLER ASSEMBLY             | 2   | D   |
| 4       | 5505124     | HDS-18/27/40 CROSSTUBE SHEAVE SHAFT WELDMENT | 2   | G   |
| 5       | 5505125     | HDS-18/27/40 SAFETY PIN                      | 2   | E   |
| 6       | 5716152     | HDS-18/27 POLYETHYLENE SLIDE BLOCK           | 8   | G   |
| 7       | 5210359     | HDS-18/27/40 SAFETY WELDMENT #1              | 2   | D   |
| 8       | 5210358     | HDS-18/27/40 SAFETY WELDMENT #2              | 2   | E   |
| 9       | 5502335     | AIR CYLINDER, Ø.75 x 4.0" STROKE             | 2   | -   |
| 10      | 5505030     | ROTOR CLIP 10mm SS                           | 4   | -   |
| 11      | 5505031     | ROTOR CLIP 12mm SS                           | 6   | -   |
| 12      | 5505033     | ROTOR CLIP 16mm SS                           | 4   | -   |
| 13      | 5540002     | E RING Ø1.375" OD TRUARC X5133-137           | 8   | -   |
| 14      | 5540060     | SPRING Ø29 x 178mm, SLACK SAFETY             | 2   | A   |
| 15      | 5540112     | SNAP RING, TRUARC 5103-175                   | 2   | -   |
| 16      | 5550087     | FIG FLB -.04 COMP x .02 NPT                  | 2   | -   |
| 17      | 5535101     | 3/8-16 HEX NUT JAM                           | 2   | -   |
| 18      | 5550376     | HDS-18/27/40 ADAPTER, 1" AIR CYLINDER        | 2   | D   |
| 19      | 5545108     | WASHER M45 x 80 FLAT                         | 2   | -   |
| 20      | 5530317     | HHB M6 x 1 x 136                             | 2   | -   |
| 21      | 5535357     | NUT M6 x 1.0 NL                              | 2   | -   |
| 22      | 5755138     | HD-18/27/40 CROSSTUBE SPACER Ø16 x Ø10 x 102 | 2   | B   |

EO NOT SCALE DRAWING

NAME: DA-B

DATE: 12/12/2019

DRAWN: IM

CHECKED: CR

DATE: 09/15/2021

THIRD ANGLE PROJECTION

SMILES

PROPRIETARY AND CONFIDENTIAL

1645 LEMONWOOD DR. SANTA PALI A, CA 93060

BP BendPak

TITLE: HDS-18/27 CROSSTUBE ASSEMBLY, LARGE WINDOW

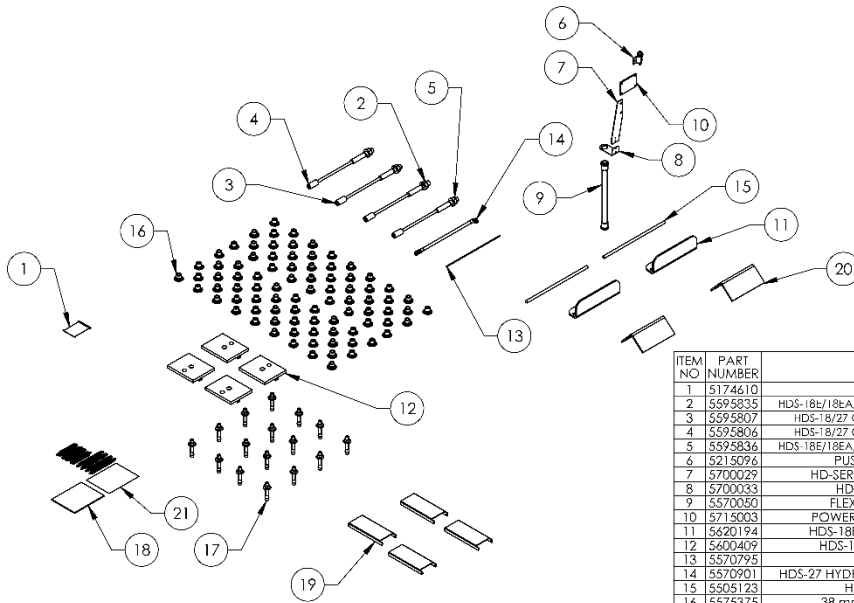
SIZE: A

DWG. NO.: 5215891

REV: C

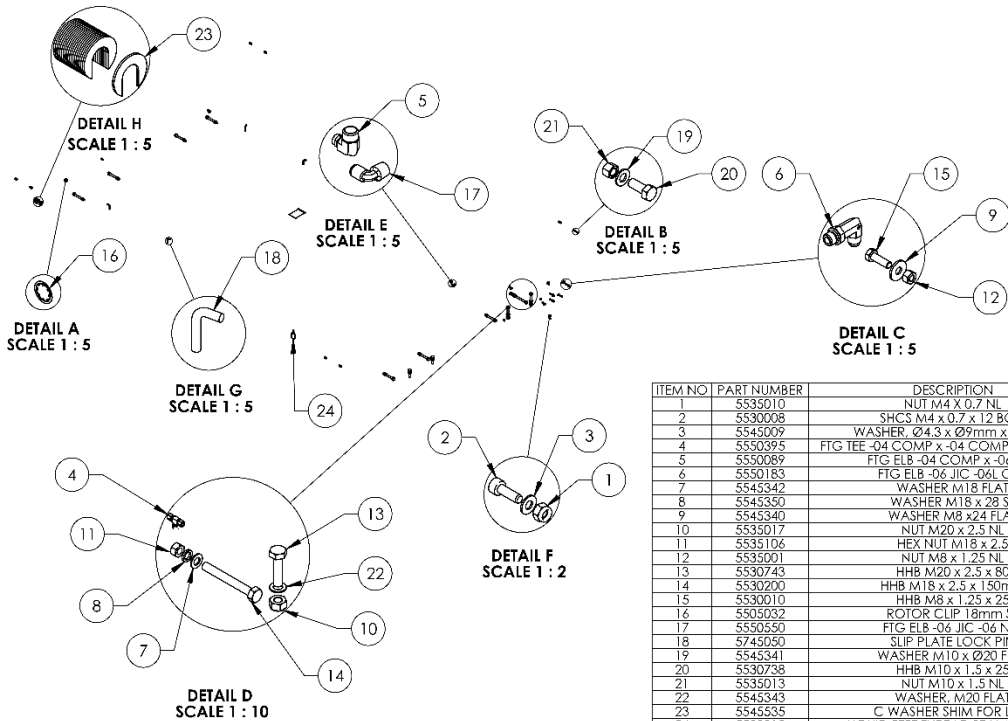
SCALE: 1:20

SHEET 1 OF 1



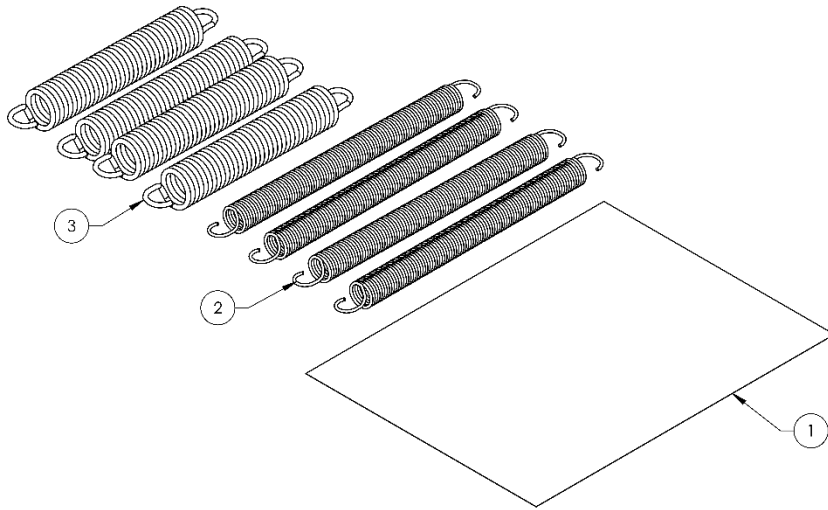
| ITEM NO | PART NUMBER | DESCRIPTION                                     | QTY      | REV |
|---------|-------------|---|----------|-----|
| 1       | 5174610     | HDS-18EA PARTS BAG                              | 1        | G   |
| 2       | 5595835     | HDS-18E/18EA/27 CABLE ASSEMBLY Ø16 x 4.127mm SI | 1        | E   |
| 3       | 5595807     | HDS-18/27 CABLE ASSEMBLY Ø16 x 1.2215mm SI      | 1        | J   |
| 4       | 5595806     | HDS-18/27 CABLE ASSEMBLY Ø16 x 1.0483mm SI      | 1        | H   |
| 5       | 5595836     | HDS-18E/18EA/27 CABLE ASSEMBLY Ø16 x 5.853mm SI | 1        | E   |
| 6       | 5215096     | PUSH BUTTON AIR ASSEMBLY                        | 1        | G   |
| 7       | 5700029     | HD-SERIES FLEX TUBE BRACKET PLATE               | 1        | F   |
| 8       | 5700033     | HD-SERIES FLEX TUBE ANGLE                       | 1        | E   |
| 9       | 5570050     | FLEX TUBE ASSEMBLY 1320mm                       | 1        | B   |
| 10      | 5715003     | POWER UNIT VIBRATION DAMPENER                   | 1        | B   |
| 11      | 5620194     | HDS-18E/27/40 TIRE STOP WELDMENT                | 2        | C   |
| 12      | 5600409     | HDS-18/27 TOP PLATE WELDMENT                    | 4        | D   |
| 13      | 5570795     | 1/4" POLY-FLUO TUBING                           | 24000mm* | -   |
| 14      | 5570901     | HDS-27 HYDRAULIC HOSE ASSY Ø10 x 5385mm         | 1        | C   |
| 15      | 5505123     | HDS-27 SERIES HINGE PIN                         | 2        | B   |
| 16      | 5575375     | 38 mm ALIGNMENT PAD CASTER                      | 86       | -   |
| 17      | 5530456     | AB 3/4" x 4 - 3/4"                              | 16       | -   |
| 18      | 5900970     | INSTALLATION MANUAL HDS-18EA                    | 1        | -   |
| 19      | 5716633     | HDS-18/27/40 SERIES CROSSTUBE COVER, PLASTIC    | 4        | C   |
| 20      | 5700246     | WHEEL CHOCK                                     | 2        | B   |
| 21      | 5210242     | 4 POST HEAVY DUTY CE PARTS BAG                  | 1        | A   |

|   |  |   |
|---|--|---|
| EDO NOT SCALE DRAWING<br>DIMENSIONS ARE IN IN./MM<br> | DRAWN: TM<br>CHECKED: OR<br>NAME: 35/08/2013<br>DATE: 09/15/2021<br>TITLE: HDS-18EA PARTS BOX<br>SIZE: A<br>DWG. NO.: 5250286<br>REV: J<br>SCALE: 1:30<br>SHEET 1 OF 1 | <br>1645 LEMONWOOD DR.<br>SANTA PAULA, CA 93060 |
|---|--|---|



| ITEM NO | PART NUMBER | DESCRIPTION                            | QTY | REV |
|---------|-------------|--|-----|-----|
| 1       | 5535010     | NUT M4 X 0.7 NL                        | 2   | -   |
| 2       | 5530008     | SHCS M4 x 0.7 x 12 BOC                 | 2   | -   |
| 3       | 5545009     | WASHER, Ø4.3 x Ø9mm x 0.8mm            | 2   | -   |
| 4       | 5550395     | FTG TEE -04 COMP x -04 COMP x -04 COMP | 3   | -   |
| 5       | 5550089     | FTG ELB -04 COMP x -06 NPT             | 2   | -   |
| 6       | 5550183     | FTG ELB -06 JIC -04 OIRB               | 1   | -   |
| 7       | 5545342     | WASHER M18 FLAT                        | 8   | -   |
| 8       | 5545350     | WASHER M18 x 28 SL                     | 8   | -   |
| 9       | 5545340     | WASHER M8 x24 FLAT                     | 4   | -   |
| 10      | 5535017     | NUT M20 x 2.5 NL                       | 4   | -   |
| 11      | 5535106     | HEX NUT M18 x 2.5                      | 8   | -   |
| 12      | 5535001     | NUT M8 x 1.25 NL                       | 4   | -   |
| 13      | 5530743     | HHB M20 x 2.5 x 80                     | 4   | -   |
| 14      | 5530200     | HHB M18 x 2.5 x 150mm                  | 8   | -   |
| 15      | 5530010     | HHB M8 x 1.25 x 25                     | 4   | -   |
| 16      | 5505032     | ROTOR CLIP 18mm SS                     | 4   | -   |
| 17      | 5505050     | FTG ELB -06 JIC -06 NPT                | 1   | -   |
| 18      | 5745050     | SLIP PLATE LOCK PIN                    | 4   | -   |
| 19      | 5545341     | WASHER M10 x Ø20 FLAT                  | 8   | -   |
| 20      | 5530738     | HHB M10 x 1.5 x 25                     | 8   | -   |
| 21      | 5535013     | NUT M10 x 1.5 NL                       | 8   | -   |
| 22      | 5545343     | WASHER, M20 FLAT                       | 4   | -   |
| 23      | 5545335     | C WASHER SHIM FOR LIFTS                | 20  | -   |
| 24      | 5580012     | LIQUID PTFE THREAD SEALANT 50ml        | 1   | -   |

|   |  |   |
|---|--|---|
| EDO NOT SCALE DRAWING<br>DIMENSIONS ARE IN IN./MM<br> | DRAWN: AC<br>CHECKED: OR<br>NAME: 05/06/2009<br>DATE: 09/15/2021<br>TITLE: HDS-18EA PARTS BAG<br>SIZE: A<br>DWG. NO.: 5174610<br>REV: G<br>SCALE: 1:50<br>SHEET 1 OF 1 | <br>1645 LEMONWOOD DR.<br>SANTA PAULA, CA 93060 |
|---|--|---|



| ITEM NO | PART NUMBER | DESCRIPTION                      | QTY | REV |
|---------|-------------|----------------------------------|-----|-----|
| 1       | 5900247     | SAFETY CE KIT INSTALLATION SHEET | 1   | -   |
| 2       | 5540055     | SPRING Ø19 x 241mm, AIR CYLINDER | 4   | A   |
| 3       | 5540060     | SPRING Ø29 x 178mm, SLACK SAFETY | 4   | A   |

|  |                        |            |  |
|--|------------------------|------------|--|
| DO NOT SCALE DRAWING   | NAME                   | DATE       | <br>1640 S MONROE DR.<br>SAN ANTONIO, TX 78202 |
|  | TM                     | 07/08/2020 |  |
| DIVISIONS APPROVAL<br>   | THIRD ANGLE PROJECTION |            | TITLE: 4 POST HEAVY DUTY CE PARTS BAG          |
| PROPRIETARY AND CONFIDENTIAL<br>THIS DRAWING IS THE PROPERTY OF BENDPAK, INC.<br>IT IS TO BE USED ONLY FOR THE PURPOSES SPECIFIED<br>HEREON. ANY REPRODUCTION OR DISSEMINATION<br>WITHOUT THE WRITTEN PERMISSION OF BENDPAK, INC.<br>IS STRICTLY PROHIBITED. | SIZE                   | DWG. NO.   | REV  |
|  | A                      | 5210242    | A  |
|  | SCALE: 1:3             |            | SHEET 1 OF 1                                   |



# EC Type-Examination Certificate



(Fm 210-017, Rev.10)

For the requirements of the Machinery Directive 2006/42/EC

For Annex IV machinery

**Certificate No.:** CE-C-20120209-01-07-5B  
**Date of first issue:** 2014.01.27  
**Date of last review:** 2019.01.27  
**Date of next review:** 2024.01.26

**NAME AND ADDRESS OF THE MANUFACTURER:** Bendpak Inc.  
 1645 E. Lemonwood Drive, Santa Paula, CA, United States of America

**PRODUCT DESCRIPTION/ TYPE AND MODEL:** Range of 18,000lb (8165kg) 4 post alignment vehicle servicing lifts  
 HDS-18EA 154W x 297L x 93H in

**APPLICABLE STANDARDS:** EN1493:2010 Vehicle Lifts  
 EN 60204-1:2006+A1:2009 Safety of machinery - Electrical equipment of machines - Part1:General requirements

**A COPY IS AVAILABLE FROM:** CCQS UK Ltd., 5 Harbour Exchange, London, E14 9GE, UK

**SUBJECT TO THESE CONDITIONS:** A Rolling Jack is not included in this certification.

**RE-ISSUE HISTORY**  
 CE-C-20120209-01-07-5A first issue  
 CE-C-20120209-01-07-5B this issue – Review of original certification  
 HDS-18A renamed to HDS-18EA  
 Delete HDS-18XA, 27A, 27XA, 37A, 37XA

*The technical file, accompanying documentation and the equipment which they describe have been found to be in compliance with the requirements of the Machinery Directive 2006/42/EC.*

*The responsible person defined above has responsibility for ensuring that all future serial manufacture of the machinery conforms to the sample submitted for EC type-examination referenced above.*

*Any changes to the design of the machinery certified here must be advised to CCQS UK Ltd. for re-assessment.*

*A CE marking should not be fixed to the equipment until the requirements of all relevant directives have been met.*

**Approved by:** Owen Bian – Office Manager

**Date:** 2019.01.27

Appointed by UK Government  
 as a Notified Body  
 for CE Marking No. 1105

**CCQS UK Ltd.,**  
 5 Harbour Exchange, Canary Wharf,  
 London, E14 9GE, UK  
 Tel: +44 (0) 20 7868 1509  
 Email [info@ccqs.co.uk](mailto:info@ccqs.co.uk)  
 If in any doubt about the integrity of this certificate,  
 please verify it on our website at  
<http://www.ccqs.co.uk>









---

# Maintenance Log

---

---

---

---

---

---

---

---

---

---

---

---

---

---

---

---

---

---

---

---

---

---

---

---

---

---

---

---

---

---

---

---

---

---



1645 Lemonwood Drive  
Santa Paula, CA, 93060 USA