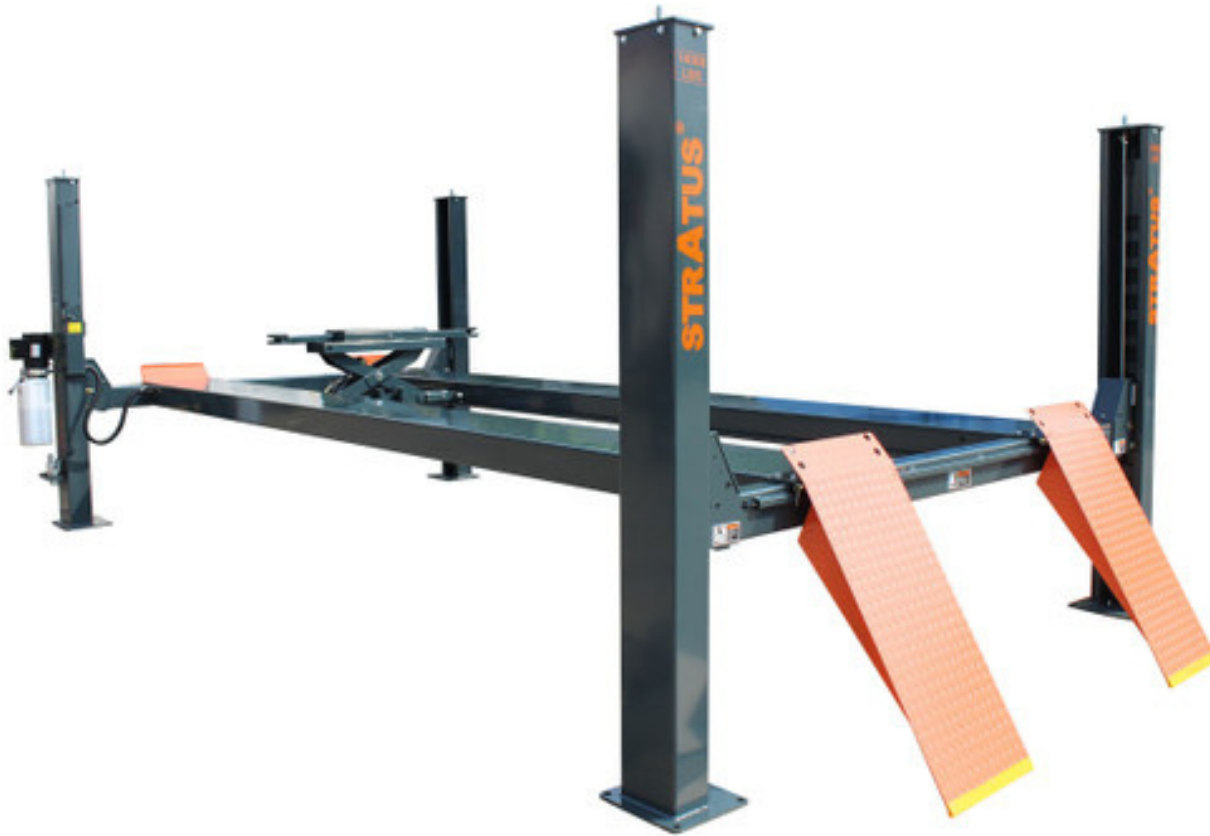


# 414A

Stratus 4 Post 14,000 LBS  
Capacity Pneumatic Safety Lock  
Release Alignment Car Lift



[WWW.STRATUSAUTOEQUIP.COM](http://WWW.STRATUSAUTOEQUIP.COM)

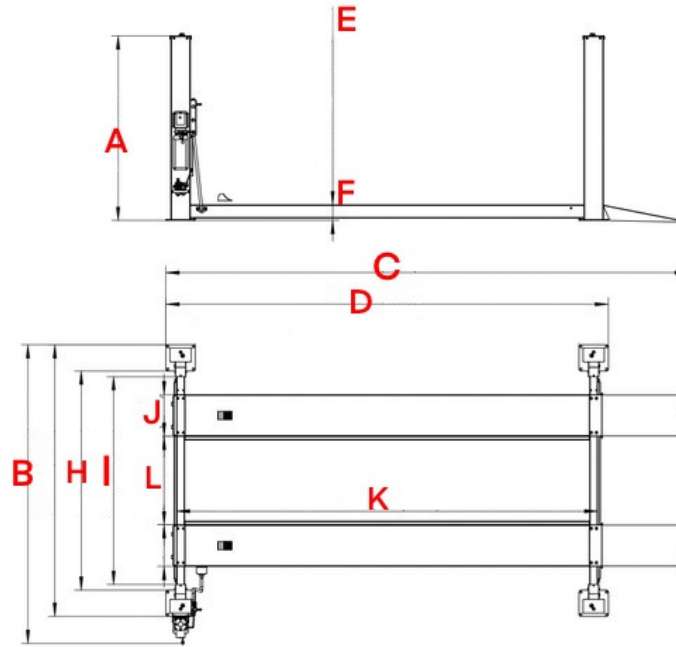
**STRATUS**  
auto equipment<sup>®</sup>

512-640-9896  
8413 Calibration Ct  
College Station, TX 77845  
[sales@stratusautoequip.com](mailto:sales@stratusautoequip.com)

# TECHNICAL

Model	414A
Capacity	14,000 LBS
Overall Height - A	91 1/2" (2324 MM)
Overall Width - B	144 9/16" (3672 MM)
Overall Length w/ ramps - C	277 3/16" (7040 MM)
Overall Length w/o ramps - D	237 3/8" (6030 MM)
Max lifting height - E	75 3/8" (1915 MM)
Min lifting height - F	9 1/2" (2324 MM)
Clearance Height - G	65 7/8" (1674 MM)
Lifting Time	~50 SEC
Width between columns - H	107 9/16" (2732 MM)
Drive Thru - I	82 1/2" – 86 7/16" (2096 MM – 2196 MM)
Runway width - J	20" (508 MM)
Runway Length - K	227 3/16" (5770 MM)
Between Runways - L	42 1/2" – 46 7/16" (1080 MM – 1180 MM)
Motor	4 HP, 220V, 60 HZ, 1ph
Oil	AW32 or AW46
Breaker	30A
Weight	3,984 LBS
Dimension	233" L * 22" W * 34" H

# DIMENSION



# FEATURES

- Pneumatic safety lock release alignment lift
- Max lifting height limiter switch to ensure the cylinders work within the stroke
- Dual safety device design: Second safety device will be automatically locked while primary safety locks are out of operation.
- Proofed by dynamic test with 115% of rated capacity and static test with 150% rated capacity
- Powder coating finish: Granite Gray (RAL 7026) + Reinorange (RAL 2004)

## Optional Add-On Accessories (Sold Separately)

- Rolling Bridge Jack
- Turntable Plate

**View it on the website here:**



## Warranty

**5 YEAR LIFTING STRUCTURE**

**3 YEAR HYDRAULIC**

**2 YEAR ELECTRIC**