

# C10P

Stratus 10,000 LBS Capacity

Two Post Clear Floor Lift

Asymmetrical



[WWW.STRATUSAUTOEQUIP.COM](http://WWW.STRATUSAUTOEQUIP.COM)

**STRATUS**  
auto equipment



512-640-9896

8413 Calibration Ct

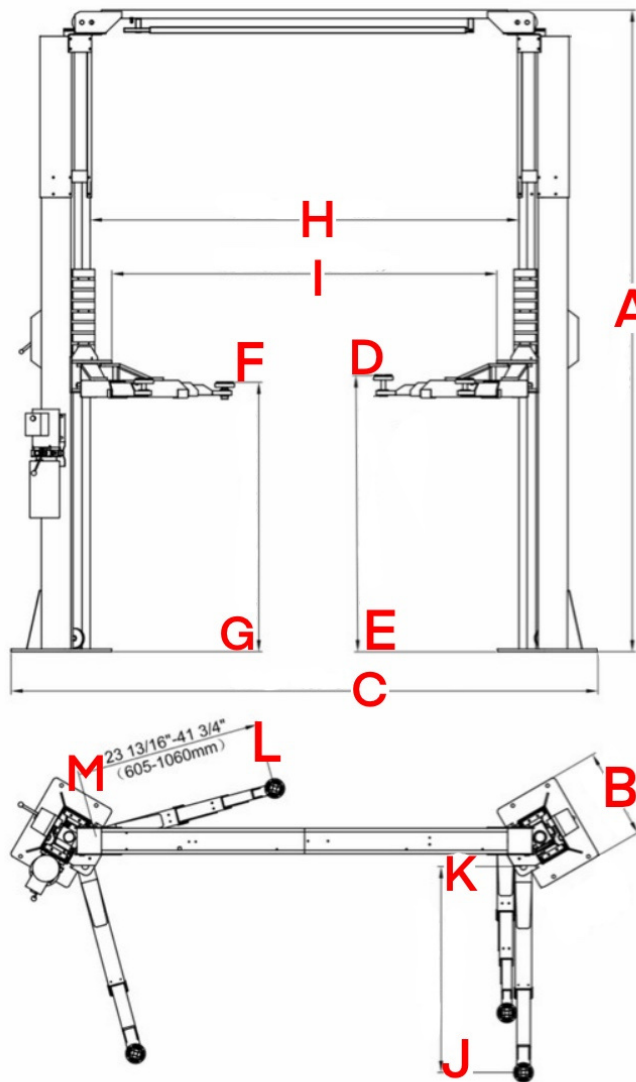
College Station, TX 77845

[sales@stratusautoequip.com](mailto:sales@stratusautoequip.com)

# TECHNICAL

Model	C10P - Asymmetrical
Capacity	10,000 LBS
Overall Height - A	151" (3835 MM)
Overall Width - B	19 11/16" (500 MM)
Overall Length - C	149 5/8" (3800 MM)
Max Lifting Height with Adaptors - D	81 7/8" (2080 MM)
Min Lifting Height with Adaptors - E	5 1/8" (130 MM)
Max Lifting without Adaptors - F	76 3/4" (1950 MM)
Min Lifting without Adaptors - G	3 3/4" (95 MM)
Lifting Time	~50SEC
Width between columns - H	115 3/8" (2930 MM)
Drive Clearance - I	103 15/16" (2640 MM)
Front Arm Reach Max - J	53 1/8" (1350 MM)
Front Arm Reach Min - K	33 7/16" (850 MM)
Rear Arm Reach Max - L	41 3/4" (1060 MM)
Rear Arm Reach Min - M	23 13/16" (605 MM)
Motor	3 HP, 220V, 60 HZ, 1ph
Oil	AW32 or AW46
Breaker	30A
Weight	1,455 LBS
Dimension	115" L * 24" W * 35" H
Concrete	6" – 3000 PSI

# DIMENSION



## Warranty

**5 YEAR LIFTING STRUCTURE**

**3 YEAR HYDRAULIC**

**2 YEAR ELECTRIC**

# FEATURES

- 2 installation methods: Symmetric & Asymmetric
- Overhead / Clear floor design
- Single point manual release
- Direct Drive
- 2 Top limiter switch
- Proofed by dynamic test with 115% of rated capacity and static test with 150% rated capacity
- Powder coating finish: Granite Gray (RAL 7026) + Rein orange (RAL 2004)

### Standard Accessories (Included)

- 4pcs- Screw-up Rubber Pads
- 4pcs- 2 3/4" Truck Adapters
- 4pcs- 4" Truck Adapters
- 2 of 2-stage arms
- 2 of 3-stage arms

**View it on the website here:**

