

# F12X

Stratus 12,000 LBS Capacity  
Two Post Floor Plate Lift



[WWW.STRATUSAUTOEQUIP.COM](http://WWW.STRATUSAUTOEQUIP.COM)

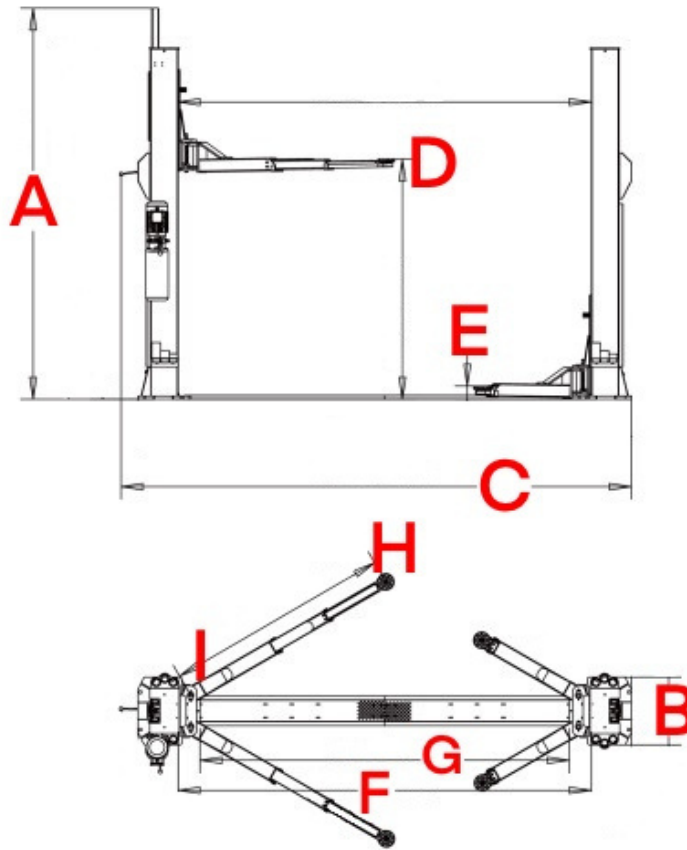
**STRATUS**  
auto equipment<sup>®</sup>

512-640-9896  
8413 Calibration Ct  
College Station, TX 77845  
[sales@stratusautoequip.com](mailto:sales@stratusautoequip.com)

# TECHNICAL

Model	F12X
Capacity	12,000 LBS
Overall Height - A	122 1/2" (3112 MM)
Overall Width - B	21 1/4" (540 MM)
Overall Length - C	160 1/4" (4070 MM)
Max Lifting Height with Adaptors	78 13/16" (2002 MM)
Min Lifting Height with Adaptors	8 1/8" (207 MM)
Max Lifting without Adaptors - D	74 13/16" (1900 MM)
Min Lifting without Adaptors - E	4 15/16" (125 MM)
Lifting Time	~55SEC
Width between columns - F	129 15/16" (3300 MM)
Drive Clearance - G	116 3/16" (2951 MM)
Front Arm Reach Max - H	70 7/8" (1800 MM)
Front Arm Reach Min - I	35 1/16" (890 MM)
Rear Arm Reach Max	70 7/8" (1800 MM)
Rear Arm Reach Min	35 1/16" (890 MM)
Motor	4 HP, 220V, 60 HZ, 1PH
Oil	AW32 or AW46
Breaker	30A
Weight	1,980 LBS
Dimension	111" L * 42" W * 27" H
Concrete Requirement	6" – 3000 PSI

# DIMENSIONS



# FEATURES

- Base Plate / Open Top
- Single point manual release
- Top limiter switch
- Proofed by dynamic test with 115% of rated capacity and static test with 150% rated capacity
- Powder coating finish: Granite Gray (RAL 7026) + Rein orange (RAL 2004)

## Standard Accessories (Included)

- 4pcs- Screw-up Rubber Pads
- 4pcs- 4" Truck Adaptors
- 4pcs- 3-Stage Arms

**View it on the website here:**



## Warranty

**5 YEAR LIFTING STRUCTURE  
3 YEAR HYDRAULIC  
2 YEAR ELECTRIC**