

P48

Stratus 8,000 LBS 4 Post Storage Parking Lift



WWW.STRATUSAUTOEQUIP.COM

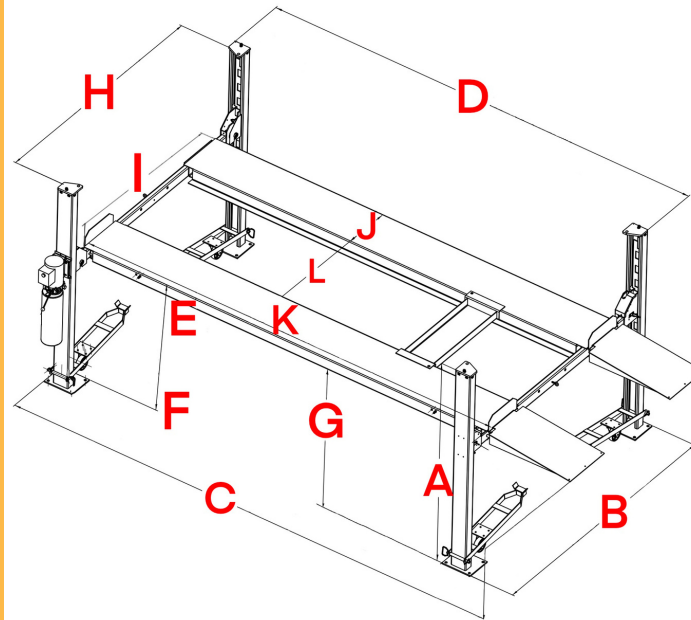
STRATUS
auto equipment[®]

512-640-9896
8413 Calibration Ct
College Station, TX 77845
sales@stratusautoequip.com

TECHNICAL

Model	P48
Capacity	8,000 LBS
Overall Height - A	95 1/2" (2426 MM)
Overall Width - B	102 15/16" (2615 MM)
Overall Length w/ ramps - C	218 3/16" (5542 MM)
Overall Length w/o ramps - D	191 5/8" (4867 MM)
Max lifting height - E	82 11/16" (2100 MM)
Min lifting height - F	4 15/16" (125 MM)
Clearance Height - G	78 3/8" (1991 MM)
Lifting Time	~45SEC
Width columns - H	93 7/8" (2385 MM)
Drive Thru - I	75 3/16" (1910 MM)
Runway width - J	18 11/16" (475 MM)
Runway Length - K	181 15/16" (4622 MM)
Between Runways - L	37 13/16" (960 MM)
Motor	3 HP, 110V, 60 HZ, 1PH
Oil	AW32 or AW46
Breaker	30A
Weight	1,770 LBS
Dimension	182" L * 22" W * 29" H

DIMENSIONS



FEATURES

- Space-saving Compact Design
- Hassle-free lock mechanism release system
- Relocatable Power Unit
- Cable Failure Protection -Second safety device will be automatically locked while primary safety locks are out of operation.
- Skid proof diamond platform
- Multi-level locking positions (13 locking positions)
- Manual Safety Lock Release
- Proofed by dynamic test with 115% of rated capacity and static test with 150% rated capacity
- Powder coating finish: Granite Gray (RAL 7026) + Reinorange (RAL 2004)

Standard Accessories (Included)

- Jack Tray
- Castor Kit (Set of 4)
- 3pcs- Drip Trays

Optional Add-On Accessories (Sold Separately)

- Aluminum Ramps
- SAE-BJ5 Sliding Bridge Jack
- Aluminum Deck

View it on the website here:



Warranty
5 YEAR LIFTING STRUCTURE
3 YEAR HYDRAULIC
2 YEAR ELECTRIC