

# UT9000

## Stratus 9,000 LBS

### Full Rise Scissor lift



[WWW.STRATUSAUTOEQUIP.COM](http://WWW.STRATUSAUTOEQUIP.COM)

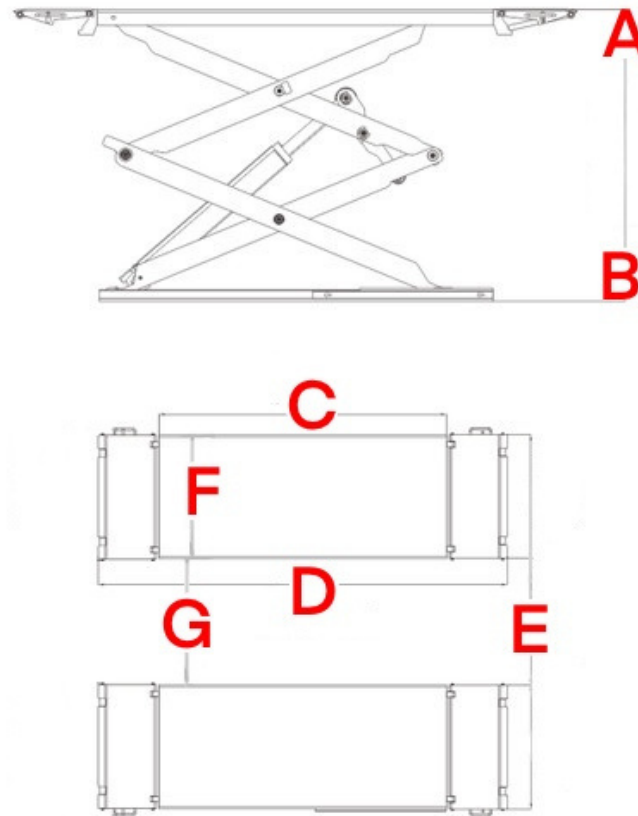
**STRATUS**  
auto equipment

512-640-9896  
8413 Calibration Ct  
College Station, TX 77845  
[sales@stratusautoequip.com](mailto:sales@stratusautoequip.com)

# TECHNICAL

Model	UT9000
Capacity	9,000 LBS
Lifting Time	~60SEC
Max Height - A	77 9/16" (1970 MM)
Min Height - B	5" (127 MM)
Runway Length without Ramps - C	58 1/16" (1475 MM)
Runway Length with Ramps - D	82 11/16" (2100 MM)
Overall Width - E	82 5/8" (2100 MM)
Runway Width - F	25 9/16" (650 MM)
Between Runway - G	31 8/16" (800 MM)
Motor	4 HP, 220V, 60 HZ, 1PH
Oil	AW32 or AW46
Breaker	30A
Platform Weight	2037 LBS
Platform Dimension	70" L * 32" W * 21" H
Control Panel Weight	158 LBS
Control Panel Dimension	43" L * 21" W * 18" H

# DIMENSIONS



## Warranty

**5 YEAR LIFTING STRUCTURE**  
**3 YEAR HYDRAULIC**  
**2 YEAR ELECTRIC**

# FEATURES

- Commercial grade open center design
- Low profile, minimum height is 4 5/16"
- On-Ground surface mount or In-ground flush mount (see detailed foundation plan)
- Pneumatic safety lock release
- Durable cylinders with anti-surge valves
- Aluminum motor power unit
- 14 lock position
- 24V low voltage control system
- Platforms can be extended for long vehicles
- Self-lubricated bushing and bearing
- Proofed by dynamic test with 120% of rated capacity and static test with 150% rated capacity
- Powder coating finish: Granite Gray (RAL 7026) + Rein orange (RAL 2004)

### Standard Accessories (Included)

- 4pcs of 1 1/2" Rubber Pads
- 4pcs of 4" Rubber Pads

### Optional Add-On Accessories (Sold Separately)

- Support Bar
- Set of 4 approach ramp kit for low profile vehicles

**View it on the website here:**

