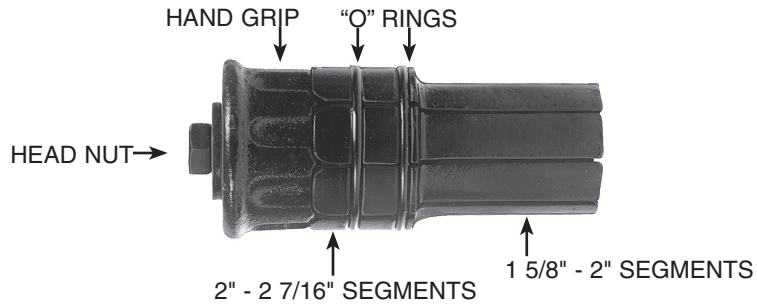




# INSTRUCTIONS FOR PIPE EXPANDER



Holding tool by handgrip, insert it into pipe. If pipe is less than 2" diameter, the small end is used. On pipes 2" and over, push right on in until the large segments will contact. Expand by turning head nut with a wrench. Tool will expand smoothly and easily and will round up pipe end quickly. The tool does not turn in the pipe.

## To Remove Clamp Grooves

Be sure tool is in pipe at position of clamp groove. Also be sure the "O" ring groove is not located at the clamp groove. Expand as above.

P# 132500.94

7/05

Printed in U.S.A.

