



The Mammut range of jacks offers service professionals a solution that is safe and easy to use, for all those operations to lift earthmoving, construction, quarry and mining machinery, where maintenance requires professional skills and expertise.

Available in various models depending on load capacity and use, each jack can be configured with a wide range of accessories to meet all demands: Load blocking system, Remote control for working safely, Various extensions to suit all operations.

All models are air/hydraulic operated and equipped with a dual descent valve for greater control when bearing weight and automatic piston return; they can also be fitted with a manual emergency pump (on request). For excellent handling during use and transport, every Mammut jack has: Folding handle, Wide pneumatic tires, Special hooks for transport.

30/60 Ton Jack

Model #91001

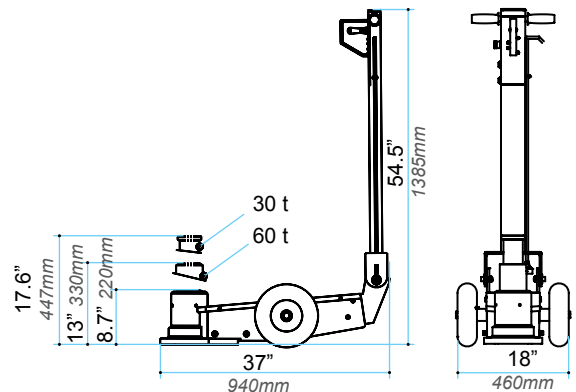


MODEL 91001

Working Air Pressure
145-175 PSI

Weight
208 lbs. | 94 kg

See Page 27 for
Mammut Jack
Accessories



25/50/80 Ton Jack

Model #91000



MODEL 91000

Working Air Pressure
145-175 PSI

Weight
305 lbs. | 138 kg

See Page 27 for
Mammut Jack
Accessories

