



Equipment Supply Company



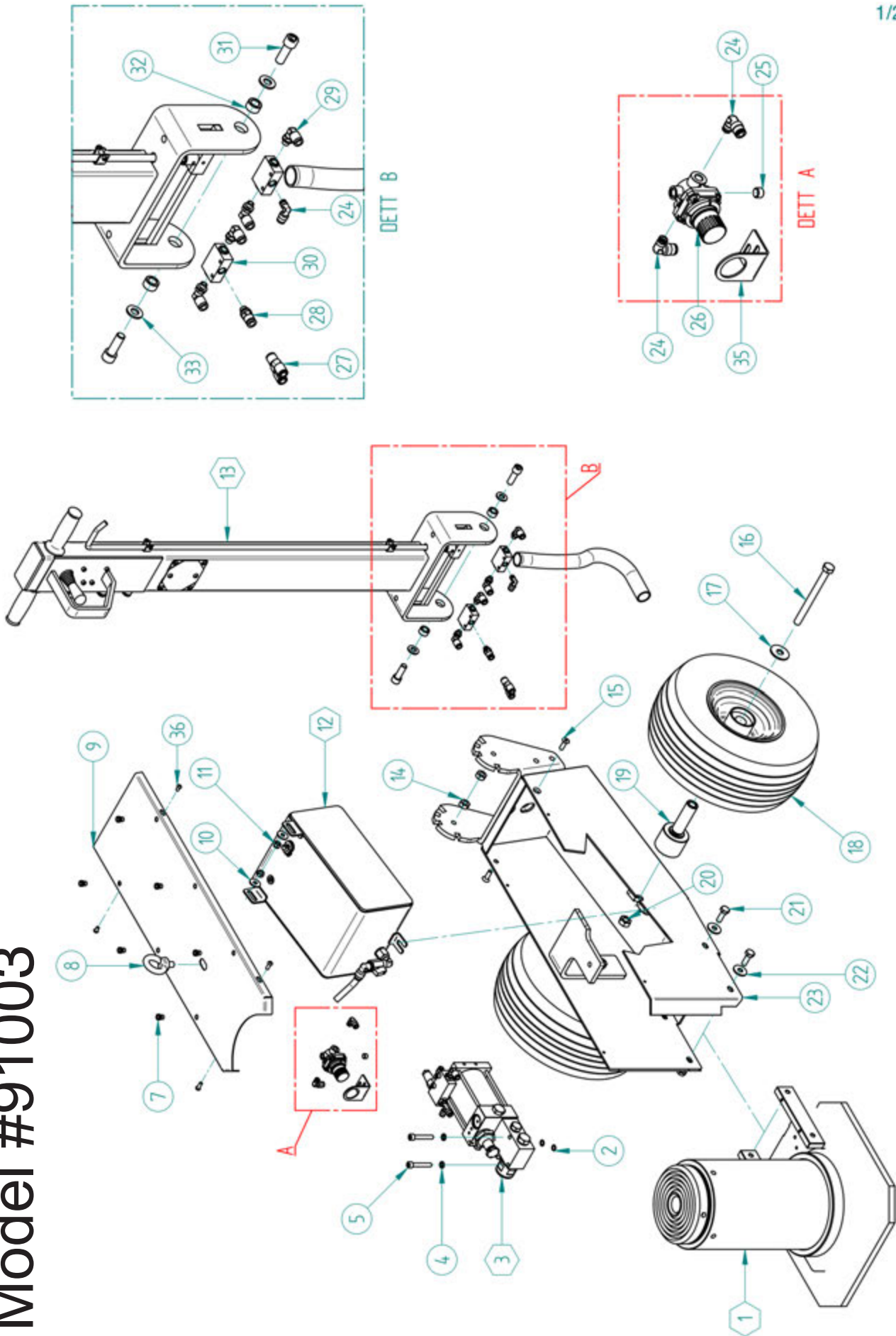
Parts Breakdown

MAMMUT 50/80 Ton Jack

ESCO #91003



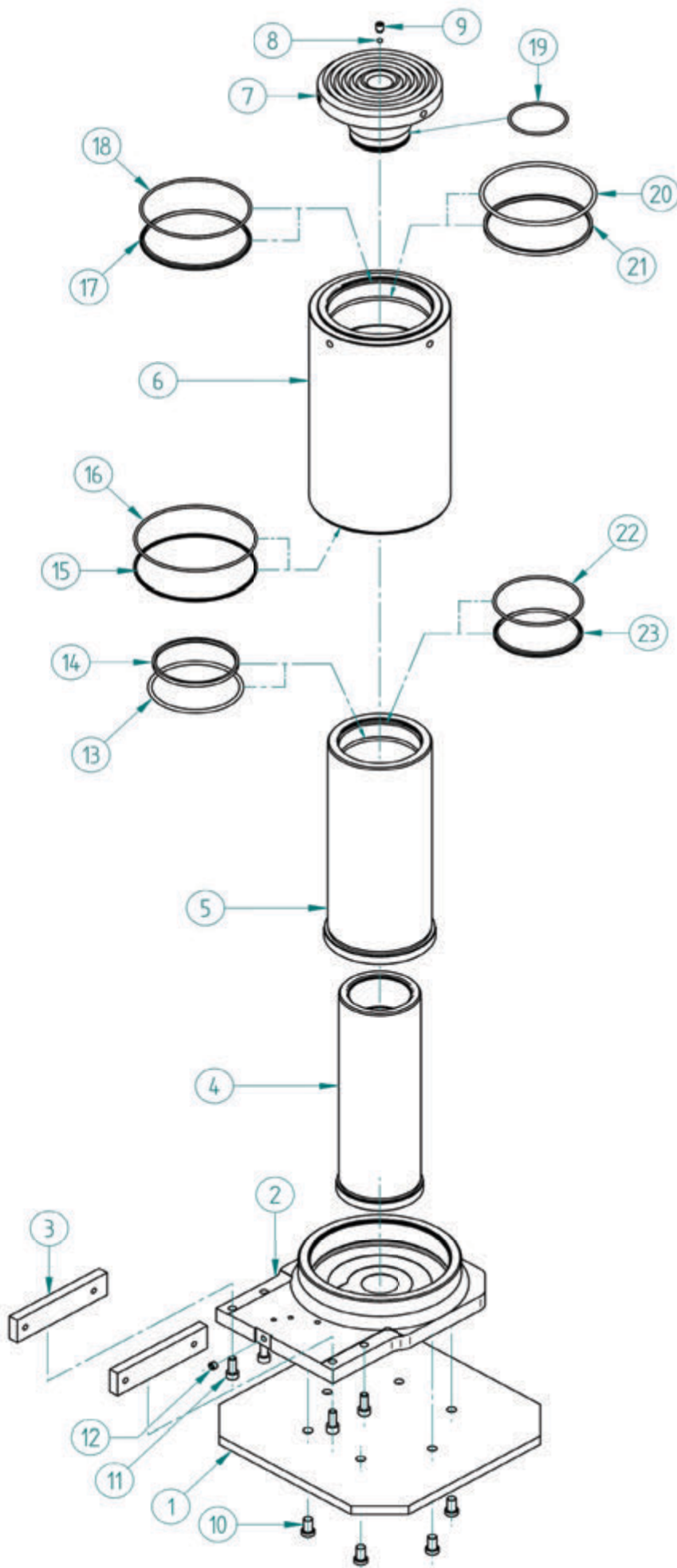
Model #91003



Model #91003

Pos.	Spare code	Q.ty	Pos.	Spare code	Q.ty
1	A00380	1	18	A02885	2
2	A00997	2	19	A02267	2
3	A00534	1	20	A00280	2
4	A02850	2	21	A03488	4
5	A03438	2	22	A03756	4
6	A05618	1	23	A02639	1
7	A02899	6	24	A02790	3
8	A00160	1	25	A00323	1
9	A01886	1	26	A03520	1
10	A03722	3	27	A02819	1
11	A00288	3	28	A02802	1
12	A00483	1	29	A02804	4
13	A00460	1	30	A03523	2
14	A00279	2	31	A03449	2
15	A04619	3	32	A01809	2
16	A03469	2	33	A02837	2
17	A02845	2	34	A03479	2
			35	A00219	1
			36	A03476	2

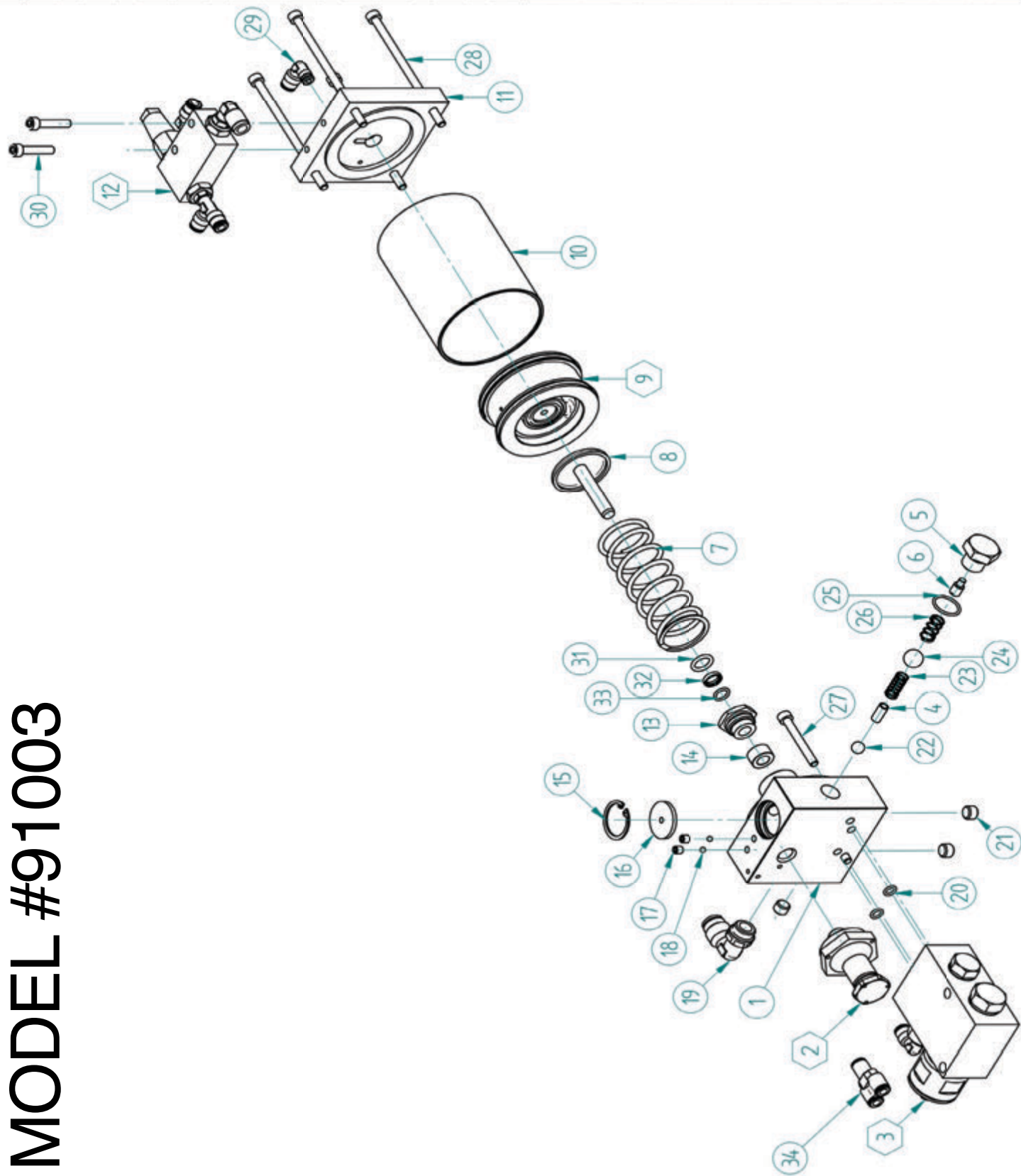
MODEL #91003

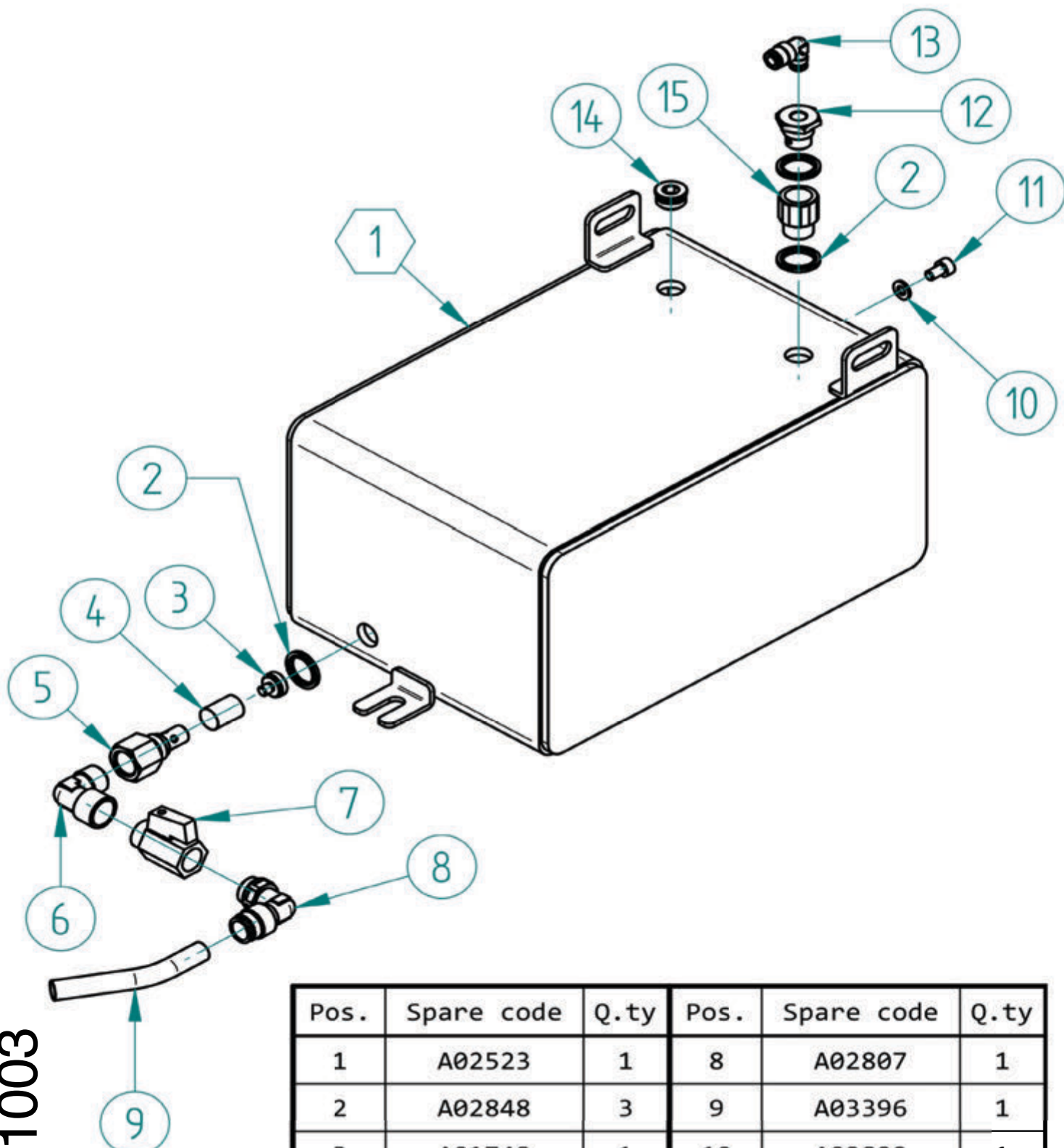


Pos.	Spare code	Q.ty
1	A02347	1
2	A01146	1
3	A01689	2
4	A01444	1
5	A01584	1
6	A01262	1
7	A01325	1
8	A02912	1
9	A05738	1
10	A03491	6
11	A03443	4
12	A00323	1
13	A01076	1
14	A03316	1
15	A03372	1
16	A01091	1
17	A02874	1
18	A01086	1
19	A01050	1
20	A01088	1
21	A03317	1
22	A01074	1
23	A02872	1

MODEL #91003

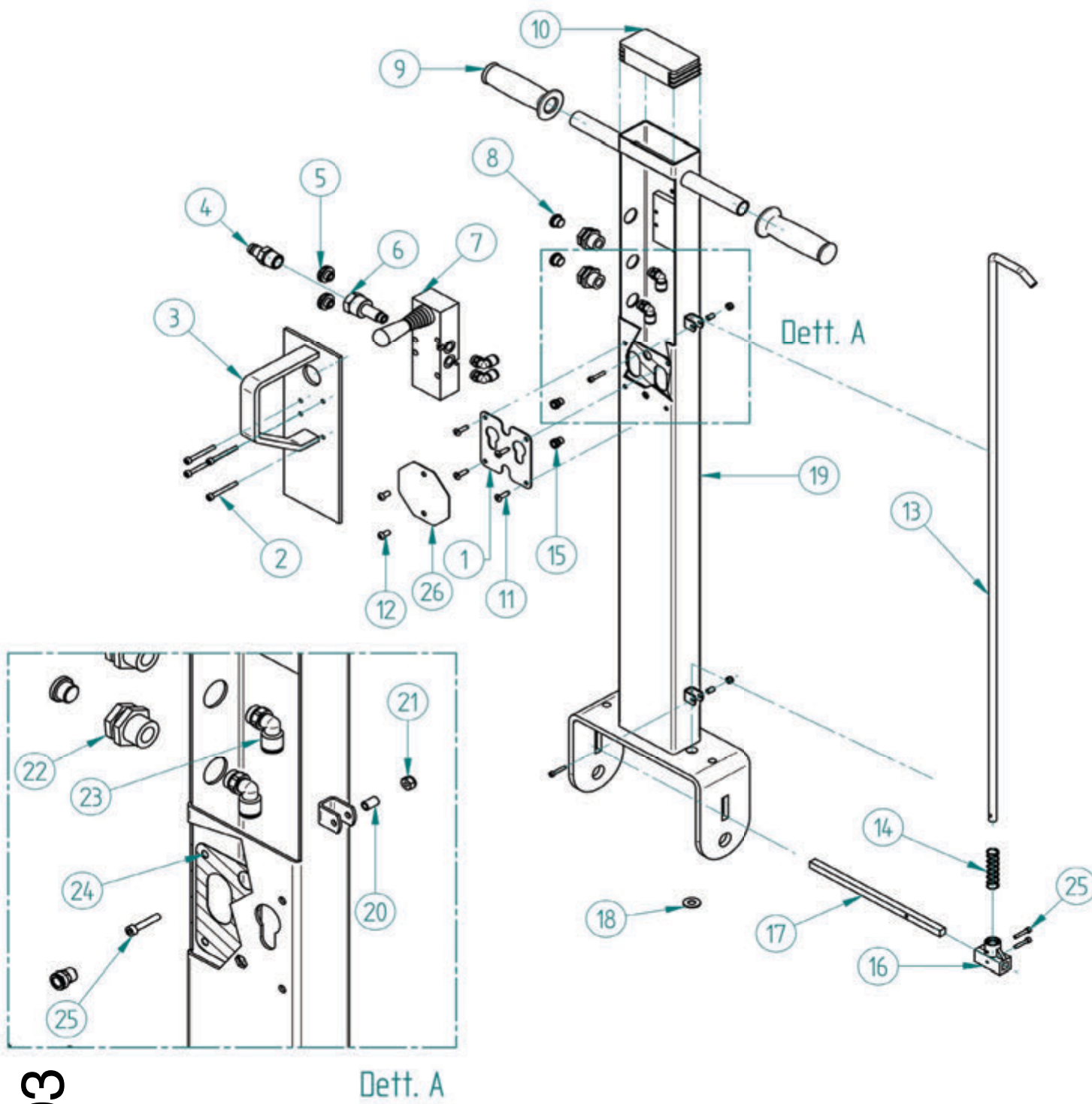
Pos.	Spare Code	Q. ty
1	A01270	1
2	A00508	1
3	A00326	1
4	A02247	1
5	A02626	1
6	A01752	1
7	A00806	1
8	A00880	1
9	A00431	1
10	A01158	1
11	A01627	1
12	A00400	1
13	A01653	1
14	A02116	1
15	A00082	1
16	A00212	1
17	A03596	2
18	A02911	2
19	A02807	1
20	A00991	2
21	A00323	3
22	A02914	1
23	A00802	1
24	A02915	1
25	A01010	2
26	A00804	1
27	A03453	2
28	A03432	4
29	A02790	1
30	A03426	2
31	A01002	1
32	A03311	1
33	A00997	1
34	A02813	1





MODEL #91003

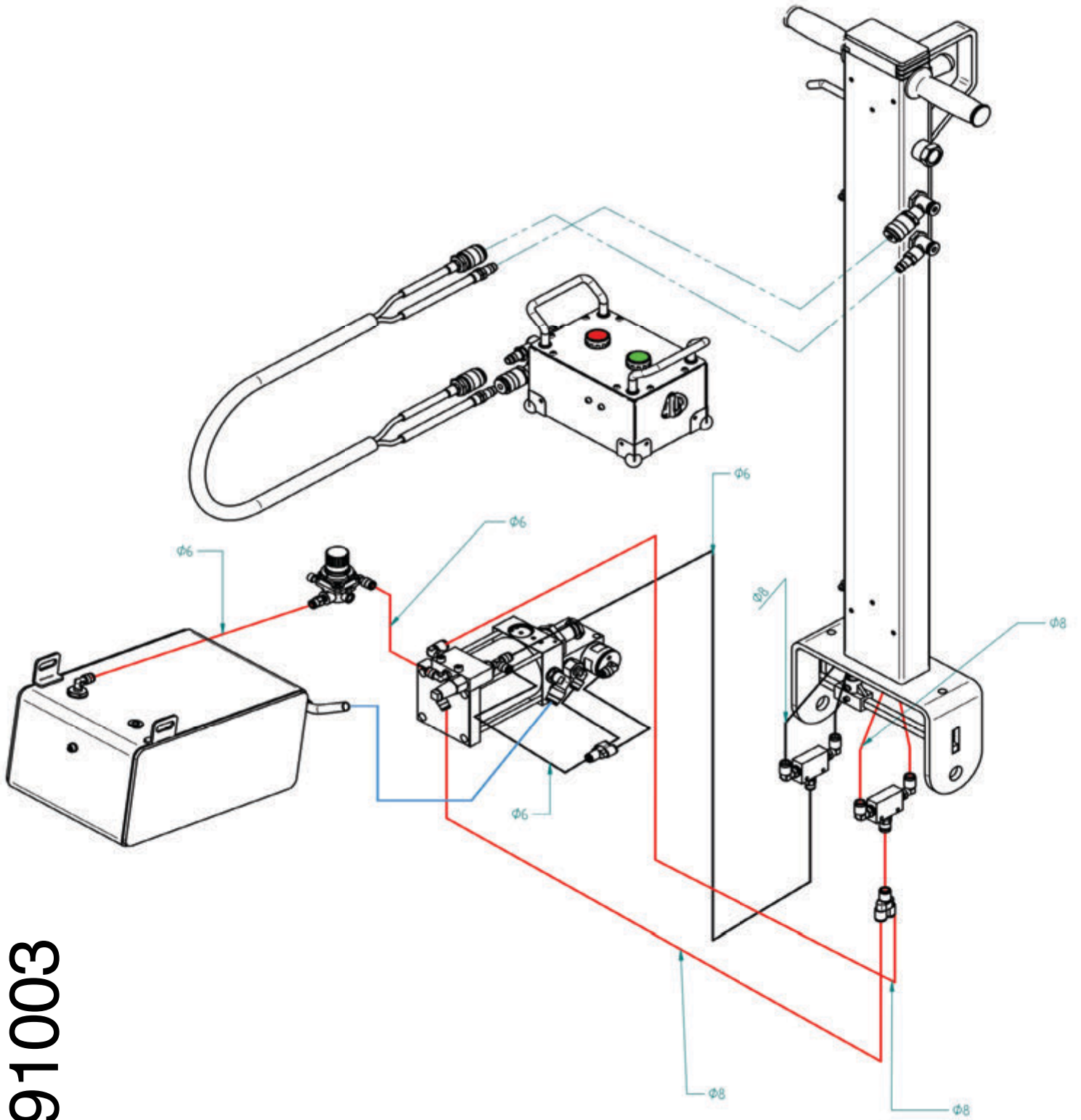
Pos.	Spare code	Q.ty	Pos.	Spare code	Q.ty
1	A02523	1	8	A02807	1
2	A02848	3	9	A03396	1
3	A01748	1	10	A02822	1
4	A00213	1	11	A03423	1
5	A02207	1	12	A02206	1
6	A02778	1	13	A02790	1
7	A03538	1	14	A03292	1
			15	A02744	1



MODEL #91003

Pos.	Spare Code	Qty
1	A04715	1
2	A03420	4
3	A00848	1
4	A02741	1
5	A00199	2
6	A02211	1
7	A03517	1
8	A03290	2
9	A00172	2
10	A00189	1
11	A02906	4
12	A03484	2
13	A01734	1
14	A00805	1
15	A02899	2
16	A02561	1
17	A01677	1
18	A02842	1
19	A02146	1
20	A01960	2
21	A00285	2
22	A02762	2
23	A02818	4
24	A04717	1
25	A03415	4
26	A04731	1

MODEL #91003



The Proper Tools To Keep Your Equipment **MOVING**



Scan this Code to Go to
the ESCO website

WWW.ESCO.NET



CONTACT INFO:

www.esco.net - info@esco.net

15270 Flight Path Drive

Brooksville, FL 34604

PH. 352.754.1117

Toll Free. 1.800.352.9852 (US, Canada Only)

Fax: 352.754.4508

ESCO - The Proper Tools to Keep Your Equipment Moving!

Stay Connected with ESCO...

