

414A

Stratus 4 Post 14,000 LBS
Capacity Pneumatic Safety Lock
Release Alignment Car Lift



WWW.STRATUSAUTOEQUIP.COM

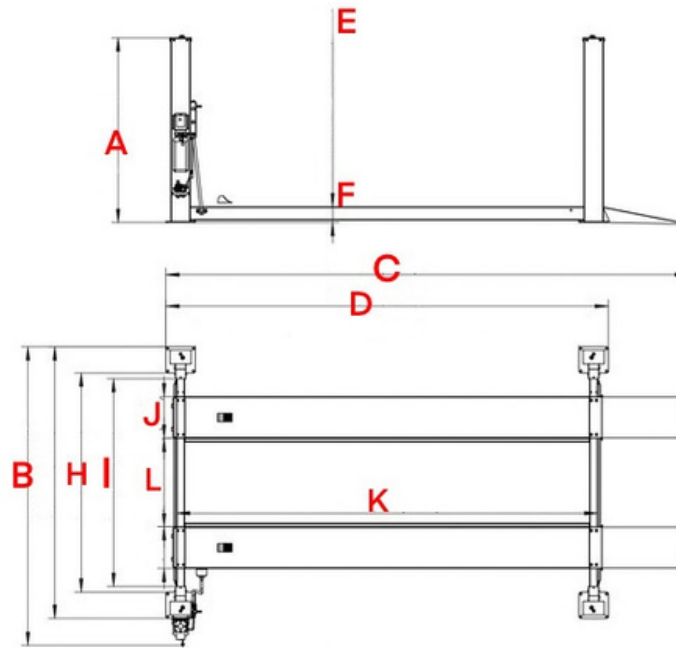
STRATUS
auto equipment[®]

512-640-9896
8413 Calibration Ct
College Station, TX 77845
sales@stratusautoequip.com

TECHNICAL

| | |
|-------------------------------------|---|
| Model | 414A |
| Capacity | 14,000LBS |
| Overall Height - A | 91-1/2"(2324MM) |
| Overall Width - B | 144-9/16" (3672 MM) |
| Overall Length w/ ramps - C | 277-3/16" (7040 MM) |
| Overall Length w/o ramps - D | 237 3/8" (6030 MM) |
| Max lifting height - E | 75 3/8" (1915 MM) |
| Min lifting height - F | 9 1/2" (2324 MM) |
| Clearance Height - G | 65 7/8" (1674 MM) |
| Lifting Time | ~50 SEC |
| Width between columns - H | 107 9/16" (2732 MM) |
| Drive Thru - I | 82 1/2" – 86 7/16" (2096 MM – 2196MM) |
| Runway width - J | 20" (508 MM) |
| Runway Length - K | 227 3/16" (5770 MM) |
| Between Runways - L | 42 1/2" – 46 7/16" (1080 MM – 1180 MM) |
| Motor | 4 HP, 220V, 60 HZ, 1ph |
| Oil | AW32 or AW46 |
| Breaker | 30A |
| Weight | 3,097 LBS |
| Dimension | 236" L * 23" W * 36" H |

DIMENSION



FEATURES

- Pneumatic safety lock release alignment lift
- Max lifting height limiter switch to ensure the cylinders work within the stroke
- Dual safety device design: Second safety device will be automatically locked while primary safety locks are out of operation.
- Proofed by dynamic test with 115% of rated capacity and static test with 150% rated capacity
- Powder coating finish: Granite Gray (RAL 7026) + Reinorange (RAL 2004)

Optional Add-On Accessories (Sold Separately)

- Rolling Bridge Jack
- Turntable Plate

View it on the website here:

