

P410

Stratus 10,000 LBS 4 Post
Storage Parking Lift



WWW.STRATUSAUTOEQUIP.COM

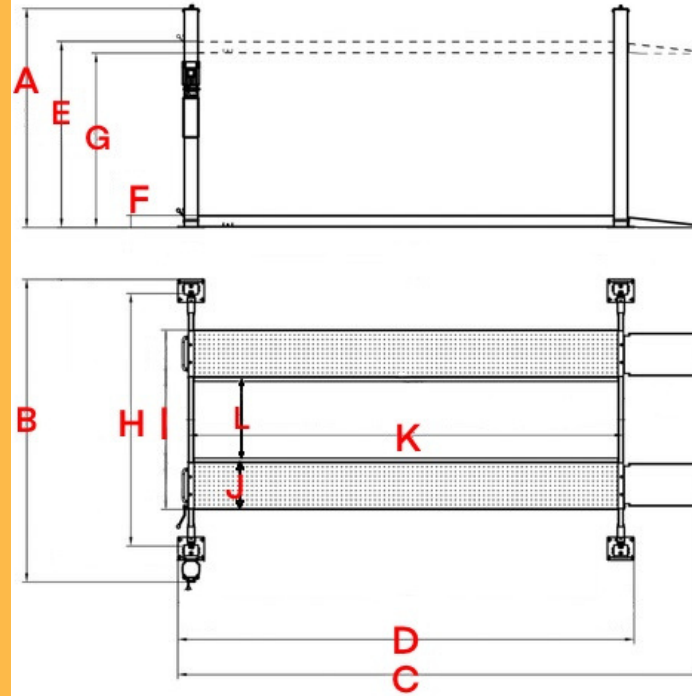
STRATUS
auto equipment[®]

512-640-9896
8413 Calibration Ct
College Station, TX 77845
sales@stratusautoequip.com

TECHNICAL

Model	P410
Capacity	10,000 LBS
Overall Height - A	97 5/16" (2472 MM)
Overall Width - B	135 13/16" (3450 MM)
Overall Length w/ ramps - C	234 1/8" (5946 MM)
Overall Length w/o ramps - D	202 3/8" (5141 MM)
Max lifting height - E	83 1/16" (2110 MM)
Min lifting height - F	5 1/2" (140 MM)
Clearance Height - G	77 9/16" (1970 MM)
Lifting Time	~90SEC
Width between columns - H	112 3/16" (2850 MM)
Drive Thru - I	79 3/4" (2026 MM)
Runway width - J	21 1/16" (535 MM)
Runway Length - K	192 15/16" (4900 MM)
Between Runways - L	37 5/8" (956 MM)
Motor	3 HP, 220V, 60 HZ, 1ph
Oil	AW32 or AW46
Breaker	20A
Weight	2,646 LBS
Dimension	196" L * 25" W * 30" H

DIMENSION



FEATURES

- Manual safety lock release
- Hassle-free lock mechanism release system
- Mechanic locks automatically engaged to lock position in ascending processing
- Imbalance protection, safe and reliable
- Self-lubricating pulleys and pre-tensioned cable
- Proofed by dynamic test with 115% of rated capacity and static test with 150% rated capacity
- Powder coating finish: Granite Gray (RAL 7026) + Reinorange (RAL 2004)

Standard Accessories (Included)

- 1 Jack Tray
- 8 drip Trays

Optional Add-On Accessories (Sold Separately)

- Aluminum Ramps
- SAE-BJ5 Sliding Bridge Jack
- Aluminum Deck

View it on the website here:

