



FP14KAC-X

**Four Post Closed Front
Commercial Alignment Vehicle Lift
14,000 lb. Capacity**

DELUXE ALIGNMENT KIT



*Shown with Optional
Rolling Bridge Jacks (RAJ-7K-H)*

Installation Instructions

NOTE!

(Supplement to the FP14KC-X Lift Installation & Operation Manual)

FP14KCX-ALIGNKIT-DK
(FP14KAC-X)
JAN 2023



FP14KAC-X DELUXE ALIGNMENT KIT

KIT CONTENTS

A. FP14KCX-ALIGNKIT

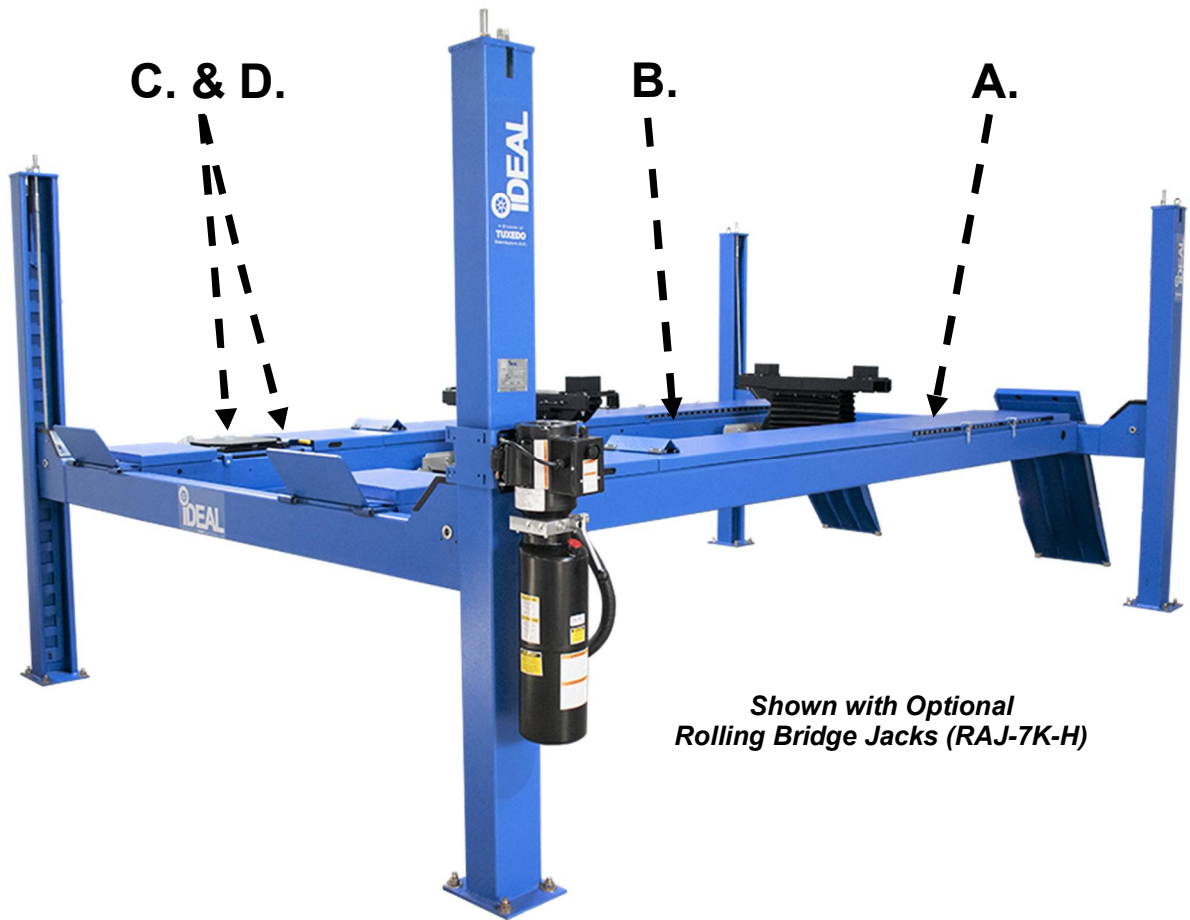
B. FP14KCX-ALK

C. TURNTABLE-FP14KCX-DK

'Bolt-On' Runway Alignment Kit

Air-Line Kit w/ FRL

HD Turntable (Set)

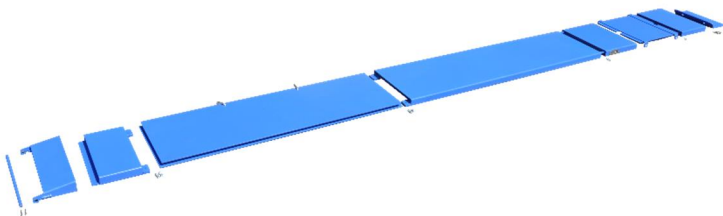


*Shown with Optional
Rolling Bridge Jacks (RAJ-7K-H)*

'Bolt-On' Runway
Alignment Kit

Air-Line Kit w/ FRL

HD Turntables &
Rollback Spacer Kit



A.

B.

C.

Table of Contents

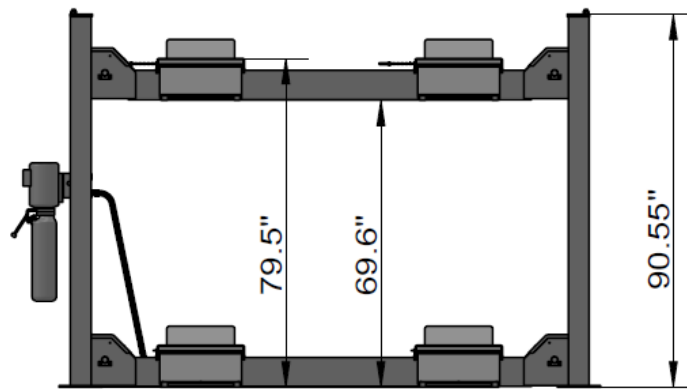
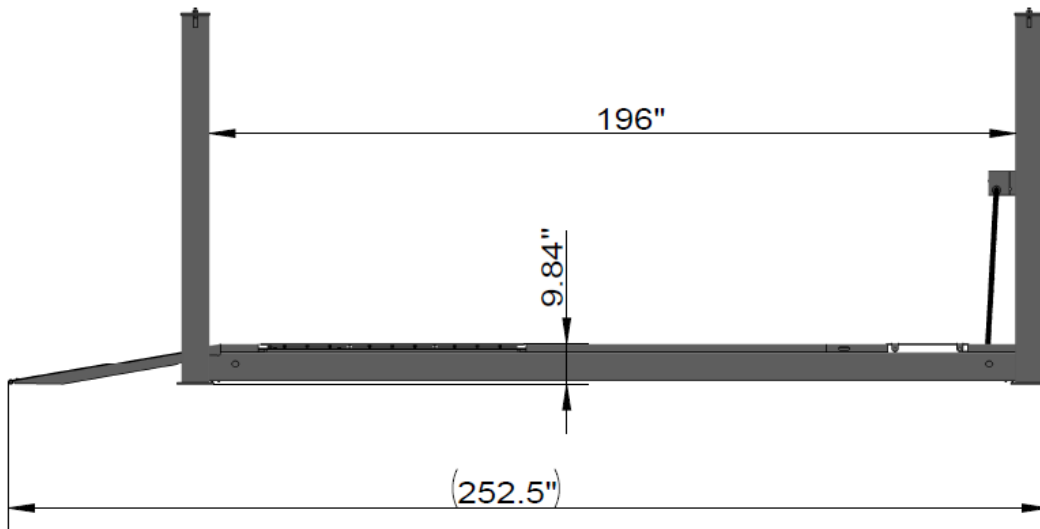
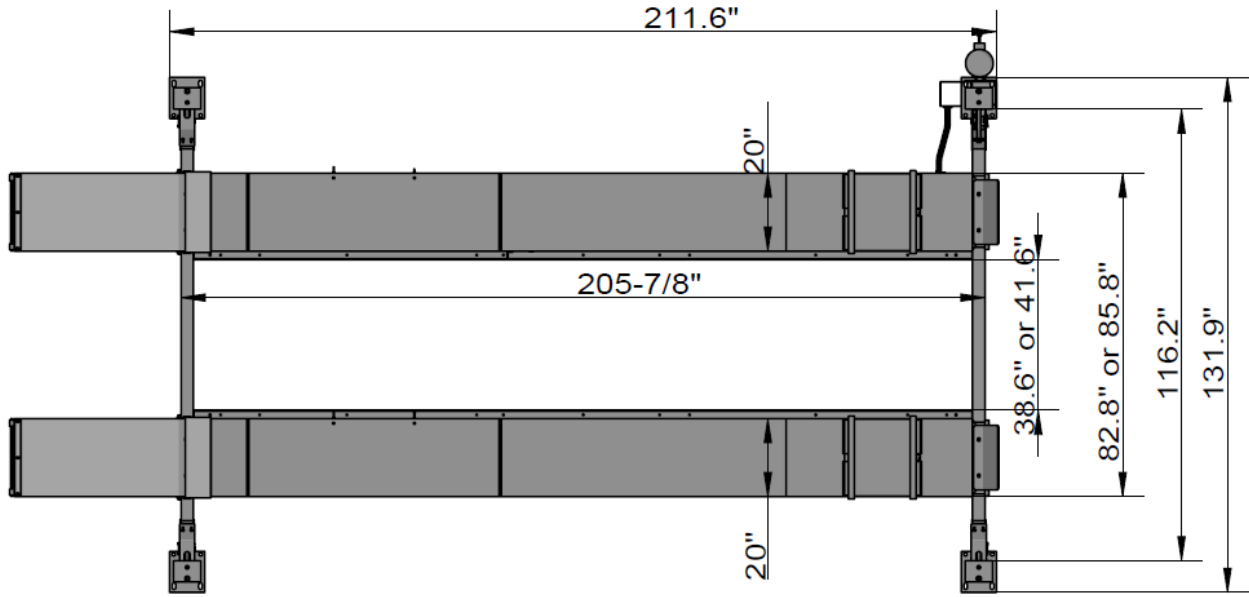
(NOTE: See Safety, Caution & Training Info in FP14KC-X Lift Installation & Operation Manual.)

- **FP14KAC-X Lift Specifications**..... Page 3
- **FP14KAC-X Layout**..... Page 4
- **Deluxe Alignment Kit Installations:**
 - A. (FP14KCX-ALIGNKIT) Runway ‘Bolt-On’ Alignment Kit.....Pages 5 - 11
 - B. (FP14KCX-ALK) Airline Kit w/ FRL..... Pages 12 - 19
 - C. (TURNTABLE-FP14KCX-DK) Alignment Turntables & Spacers...Pages 20 - 23
- **Limited Warranty Policy**..... Page 24

Lift Specifications:

Lift Model	FP14KAC-X
Capacity	14,000 lbs.
Overall Length w/ Ramp	252-1/2+
Overall Width (Without Power Unit)	131-7/8+
Overall Width (With Power Unit)	142+
Overall Height	92-1/2+
Max Rise Height	79-1/2+
Min Height	9-7/8+
Width Between Posts	116-1/4+
Length Between Posts	196+
Width Between Runways	43+or 46+
Width of Runways	20+
Max Wheelbase	182-1/2+
Max. Align Wheelbase (2 Wheel)	166-3/4+
Min / Max. Align Wheelbase (4 Wheel)	103+ / 157+
Ramp Length	44+
Max. Clearance Under Runway	69-5/8+
Drive-Thru Clearance	100+
Base Plate	10-1/2+x 9+
Power Requirement	220V - 20 Amp - 1PH
Ship Weight	3,810 lbs.
Min Bay Size	16qx 25q

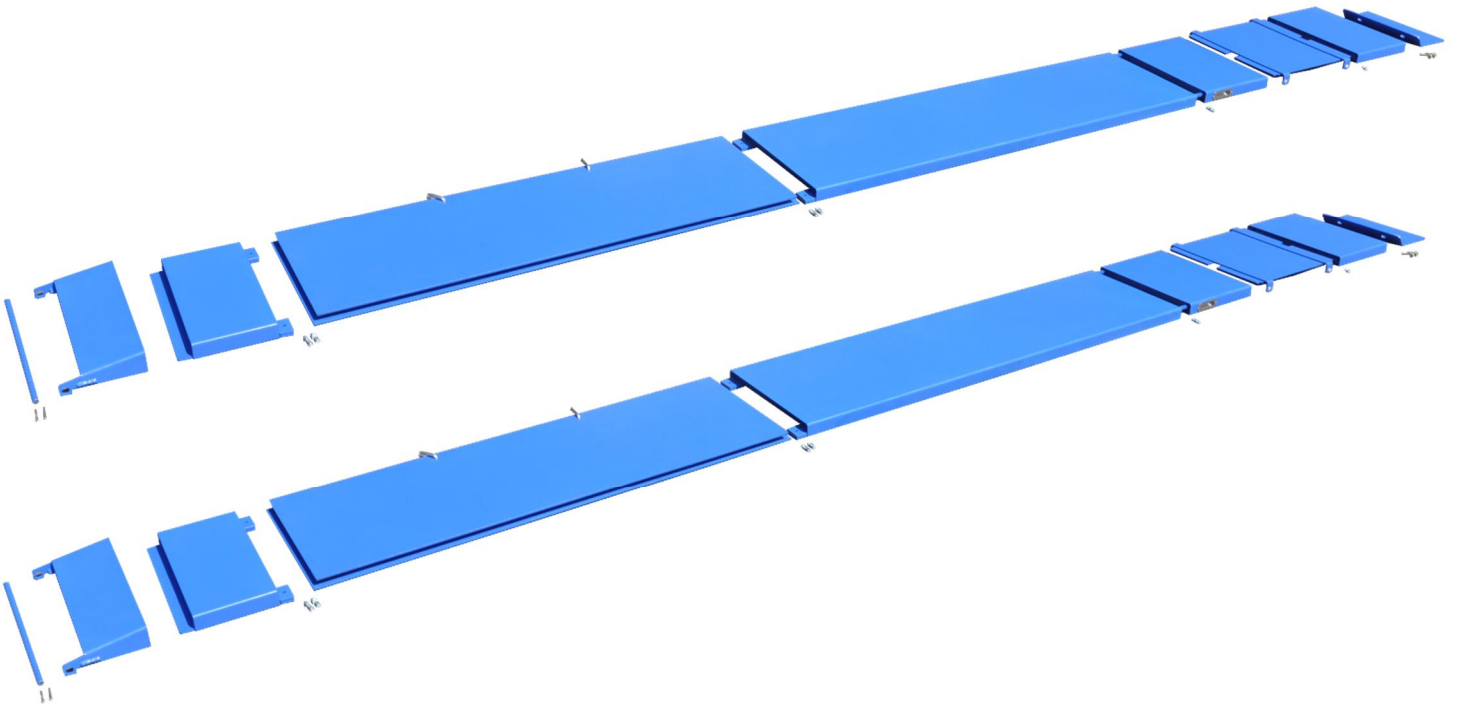
Layout: (FP14KAC-X 14K Alignment Lift)



FP14KCX-ALIGNKIT

FP14KC-X

Runway ‘Bolt-On’ Alignment Kit



Installation Instructions

IMPORTANT!!

READ MANUAL THOROUGHLY BEFORE ASSEMBLING, INSTALLING, OPERATING, OR MAINTAINING ALIGNMENT KIT. WHEN DONE WITH INSTALLATION BE SURE TO RETURN DOCUMENTS TO PACKAGE AND GIVE ALL MATERIALS TO LIFT OWNER / OPERATOR.

FP14KCX-ALIGNKIT

FP14KC-X Runway 'Bolt-On' Alignment Kit

Product Description:

The iDEAL Runway 'Bolt-On' Alignment Kit (FP14KCX-ALIGNKIT) is designed to be applied to the FP14KC-X four post, closed front Service Lift model, allowing to easily convert into a premium Alignment Lift. The FP14KCX-ALIGNKIT will increase the Runway height by 2 inches. Alignment Turntables not included in Kit.

NOTE: Mounting holes are already predrilled in Runways for quick Runway Alignment Kit installation.

Main Kit Components:

1. Alignment Wheel Stop
2. Front Spacer
3. 'Sliding' Turntable Pad
4. 'Movable' Spacer
5. Long Spacer
6. Rear Slip Plate
7. Ramp Support
8. Ramp Extension
9. Ramp Pivot Pin

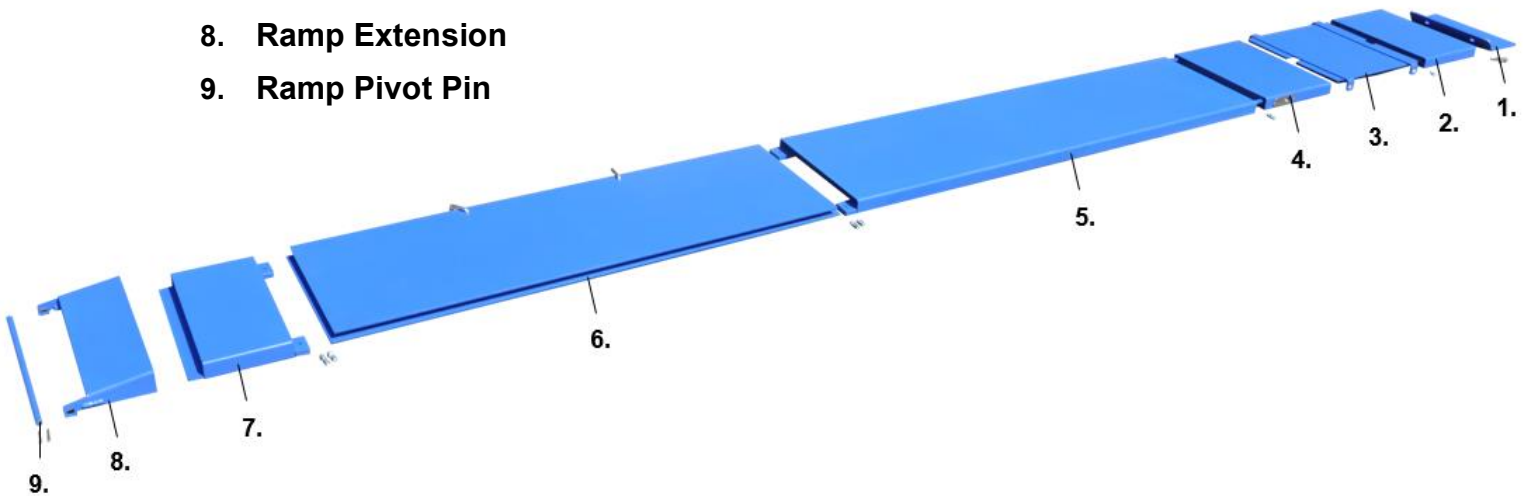


Fig. 1

Required Tools:

- Fork Lift (Recommended to offload Kit package upon delivery & installation assist)
- Crow Bar
- Metric Sockets or Open Wrench Set (13mm thru 18mm)
- Medium Flat & Philip Screwdrivers
- Needle Nose Pliers
- Safety Glasses
- Gloves

Installation Instructions:

- 1) Remove bolts that attaches the Wheel Stop & Runway to the Front Crossbeam, if required.
- 2) Position the Front Spacer (#2) on Runway, so the bolt holes align with the Wheel Stop holes and the center hole in Runway - **Fig. 2**.

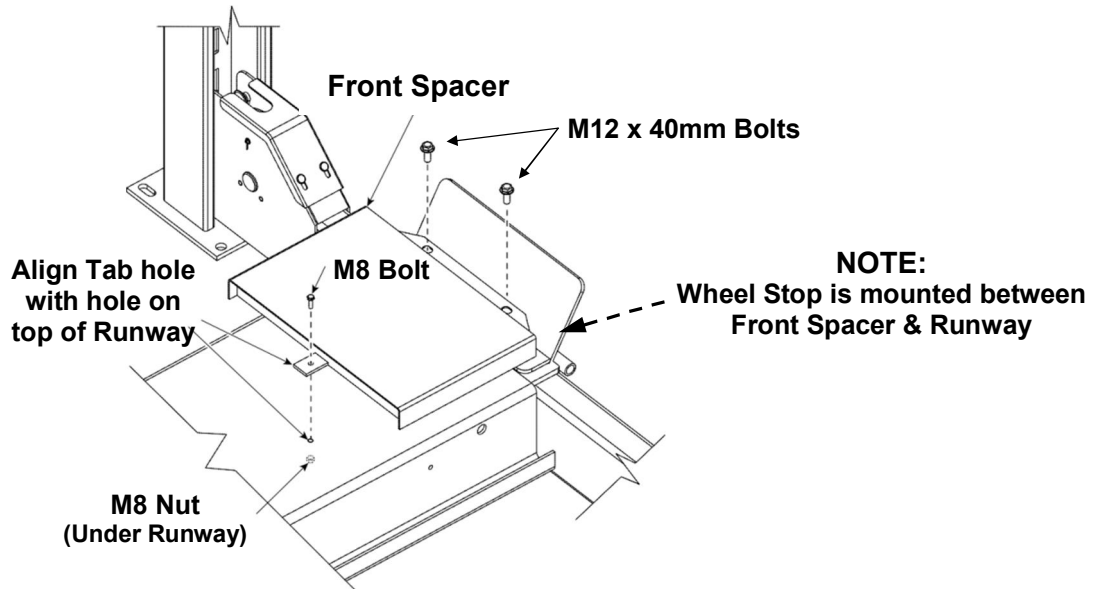


Fig. 2

- 3) Secure back of Front Spacer to Runway using M8 Bolt & Nut, while also securing the front using M12 x 40mm Bolts - **Fig. 2**. **NOTE: Alignment Wheel Stop is mounted between Front Spacer & Runway.**
- 4) Position the Sliding Turntable Pad (#3), so the front edge is positioned against the rear of the Front Spacer - **Fig. 3**.

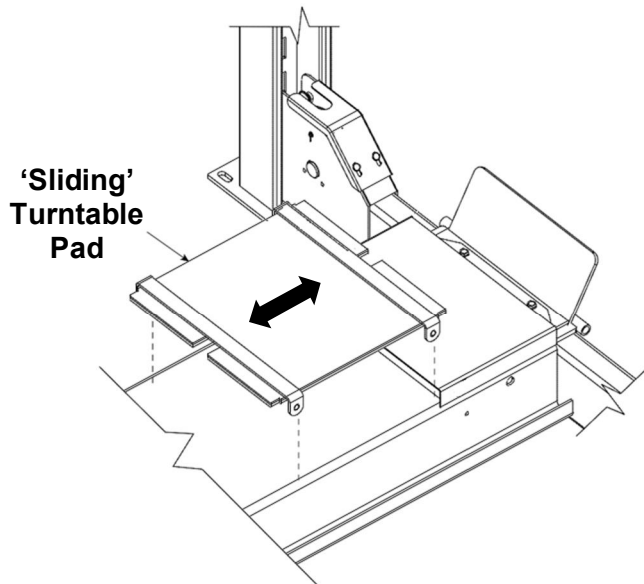


Fig. 3

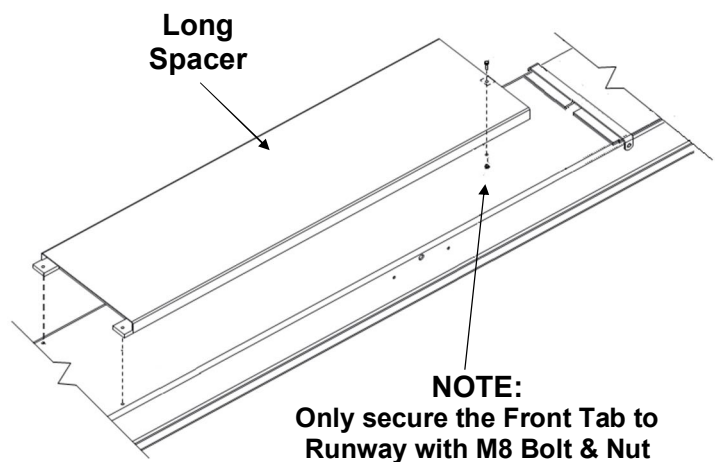


Fig. 4

- 5) Center and square the Long Spacer (#5) on Runway. Align the Tab Holes, bolting only the Front Tab to the Runway, secure using M8 Bolt & Nut - **Fig. 4**.

- 6) Position Movable Spacer (#4) on Runway behind Turntable Pad. Insert the hooks of Movable Spacer into the holes of the Long Spacer - **Fig. 5.**
- 7) Carefully, center and square the Rear Wheel Slip Plate (#6) on Runway - **Fig 6.** **NOTE: Slip Plate Tabs to be positioned above the top of the Long Spacer Tabs. Also Ensure Pins are positioned to the outside of Runway.**
- 8) Remove the Slip Plate L-Pins to gain access to the front holes by angling the front of the Slip Plate. Align the Slip Plate holes to the Tab Holes for the Long Spacer & Runway, secure using M8 Bolts & Nuts noted for - **Fig. 6.** **NOTE: DO NOT Bolt the back end of Slip Plate at this time.**

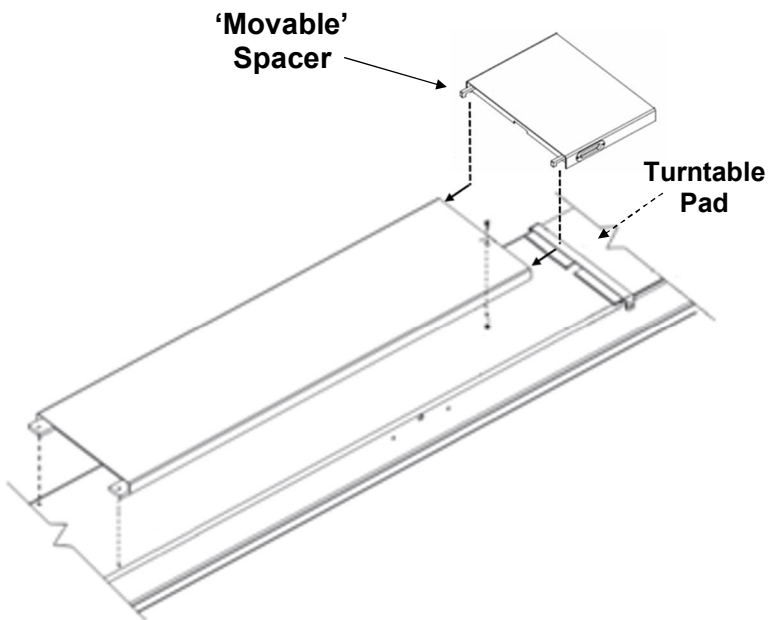


Fig. 5

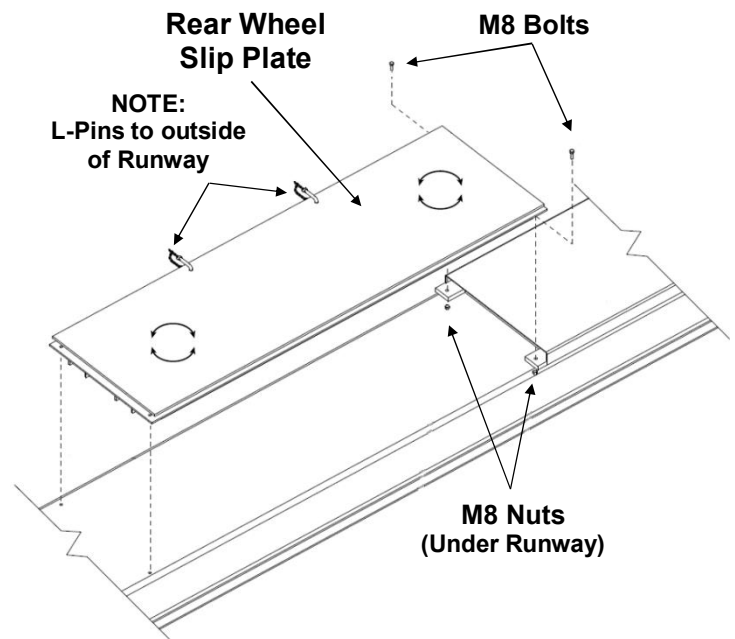


Fig. 6

- 9) Position and slide the Ramp Support (#7) Tabs under the rear of the Slip Plate. Access the rear Slip Plate holes by angling the rear of the Slip Plate. Align the rear Slip Plate holes to the Tab Holes for the Ramp Support & Runway, secure using M8 Bolts & Nuts - **Fig. 7.**

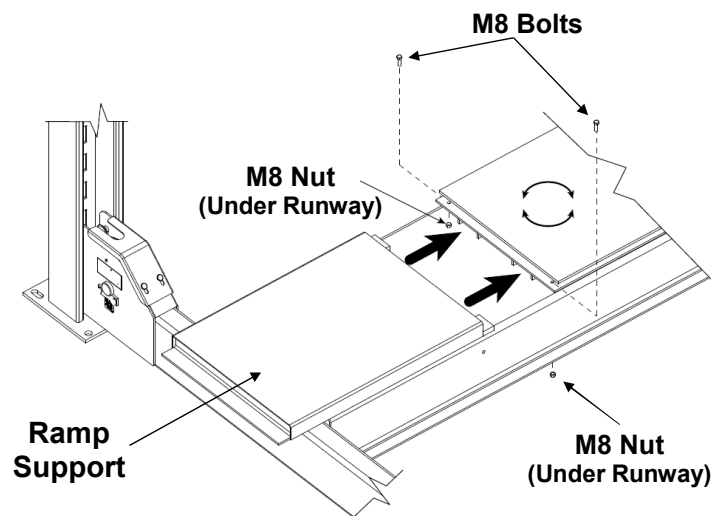


Fig. 7

10) Insert L-Pins back in Slip Plate holes to secure - **Fig 6.**

11) Remove the Pivot Pin (#9) from Ramp - **Fig. 8.**

12) Position the Ramp Extension (#8) bracket holes to align to the outside of the pivot tube holes on end of Runway. Insert Pivot Pin to secure Ramp Extension & Spacer to end of Runway. Center & secure Pivot Pin with Cotter Pins at each end - **Fig 8.**

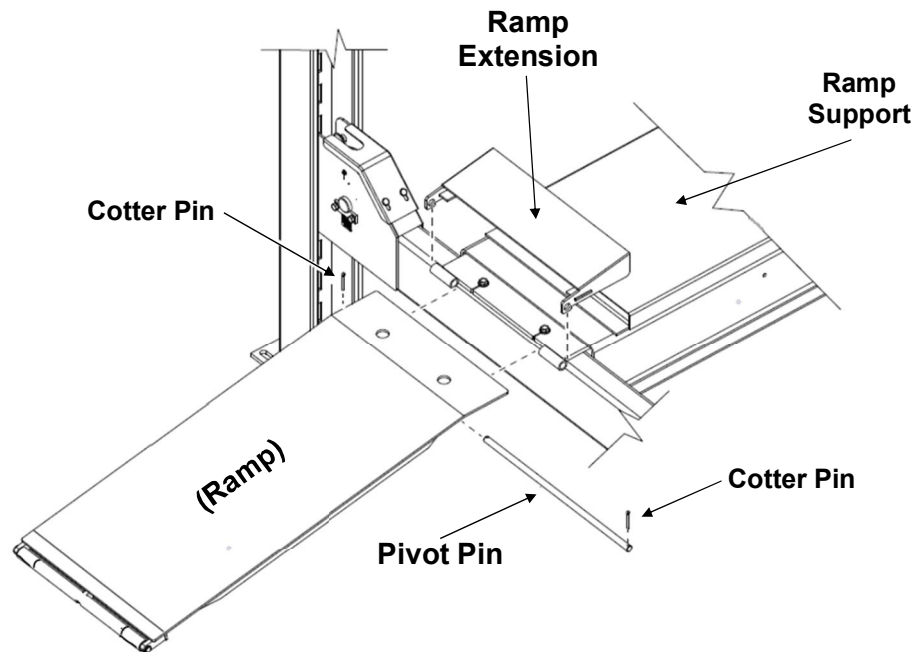
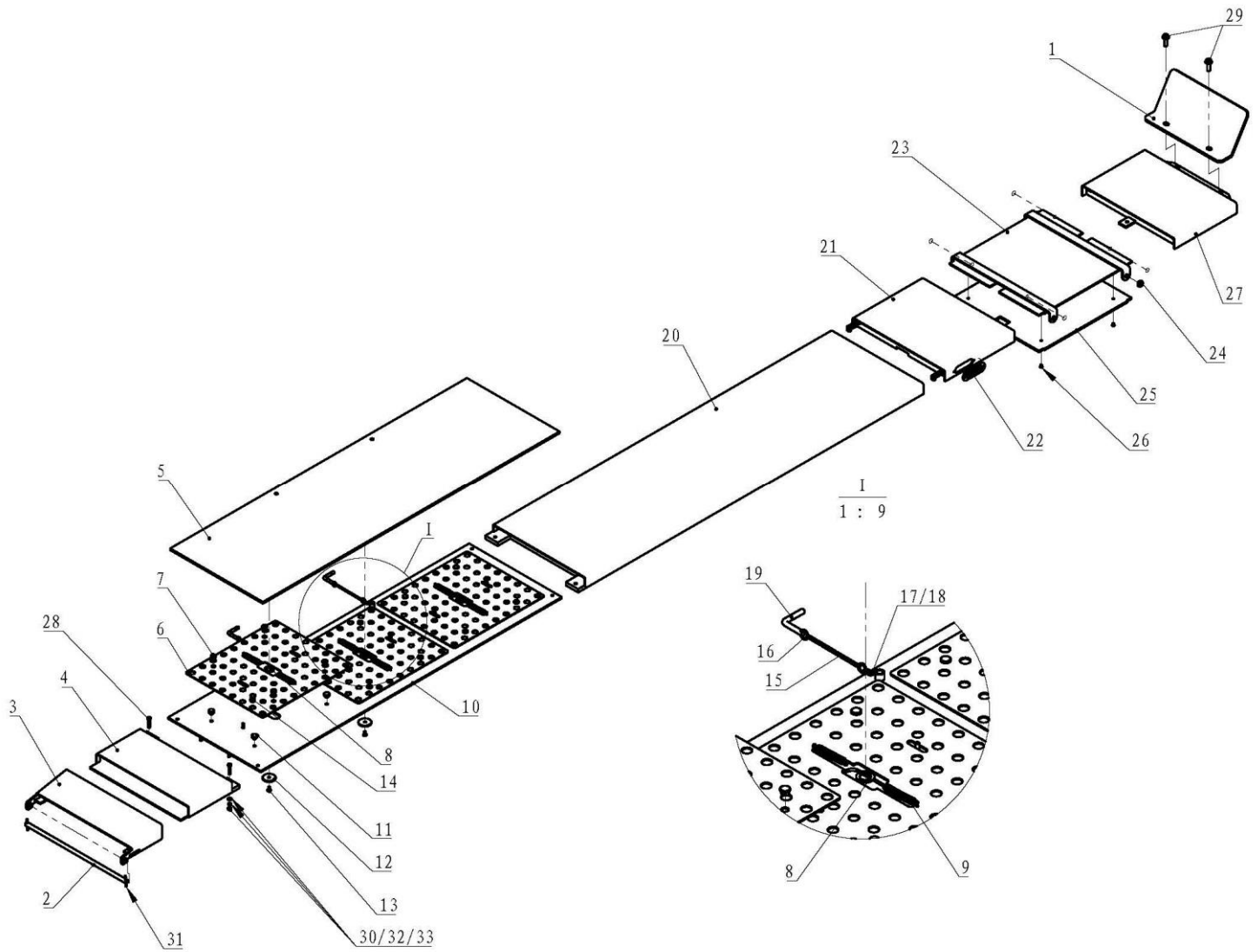


Fig. 8

13) Ensure all bolt-on Alignment Kit components are properly aligned & fully tightened to Runway.

14) Apply the same installation steps for the other Runway.

Exploded View



Parts List

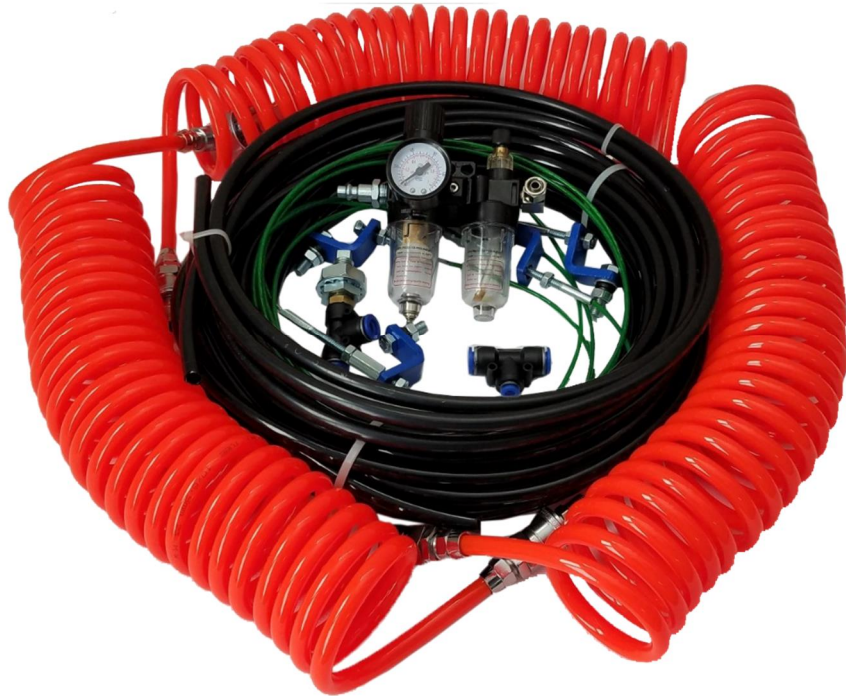
ITEM	Tux P/N	M-REF P/N	DESCRIPTION	QTY
1	FP14KCX-ALIGNKIT-001	TT-8861-700-01	Align Wheel Stop (9.8+Ht.)	2
2	FP14KCX-ALIGNKIT-002	TT-8861-700-02	Align Pivot Pin (Long) 21.7	2
3	FP14KCX-ALIGNKIT-003	TT-8861-700-03-HJ	Ramp Extension	2
4	FP14KCX-ALIGNKIT-004	TT-8861-700-05-HJ	Ramp Support	2
5	FP14KCX-ALIGNKIT-005	TT-8861-700-06-HJ	Top Plate	2
6	FP14KCX-ALIGNKIT-006	TT-8861-700-07	Roller Ball Retainer	6
7	FP14KCX-ALIGNKIT-007	TT-8861-700-08	Pin Plug	24
8	FP14KCX-ALIGNKIT-008	TT-8861-700-09	Retainer Ring	6
9	FP14KCX-ALIGNKIT-009	TT-8861-700-10	Spring	12
10	FP14KCX-ALIGNKIT-010	TT-8861-700-11-HJ	Base Plate	2
11	FP14KCX-ALIGNKIT-011	TT-8861-700-12	Nylon Pin	24
12	FP14KCX-ALIGNKIT-012	TT-8861-700-13	Nylon Washer	6
13	FP14KCX-ALIGNKIT-013	GB70.3-2000 M8X16	Screw, M8 x 16mm	6
14	FP14KCX-ALIGNKIT-014	TT-8861-700-14	Roller Balls	396
15	FP14KCX-ALIGNKIT-015	TT-8861-700-15	Link Chain	4
16	FP14KCX-ALIGNKIT-016	TT-8861-700-16	Ring	8
17	FP14KCX-ALIGNKIT-017	TT-8861-700-17	Terminal Ring	4
18	FP14KCX-ALIGNKIT-018	GB818-2000 M6X10	Screw, M6 x 10mm	4
19	FP14KCX-ALIGNKIT-019	TT-8861-700-18	L-Pin	4
20	FP14KCX-ALIGNKIT-020	TT-8861-700-19-HJ	Long Spacer	2
21	FP14KCX-ALIGNKIT-021	TT-8861-700-20-HJ	Movable Spacer	2
22	FP14KCX-ALIGNKIT-022	TT-8861-700-21	Plastic Handle Pocket	4
23	FP14KCX-ALIGNKIT-023	TT-8861-700-25-HJ	Sliding Turntable Pad	2
24	FP14KCX-ALIGNKIT-024	TT-8861-700-26	Nylon Guide Plug	8
25	FP14KCX-ALIGNKIT-025	TT-8861-700-27	Rubber Pad	2
26	FP14KCX-ALIGNKIT-026	GB819-2000 M6X10	Recessed Screw, M6 x 10mm	8
27	FP14KCX-ALIGNKIT-027	TT-8861-700-28-HJ	Front Spacer	2
28	FP14KCX-ALIGNKIT-028	GB5783/2000	Bolt, M8 x 40mm	12
29	FP14KCX-ALIGNKIT-029	GB/T5789-1986	Bolt, M12 x 40mm	4
30	FP14KCX-ALIGNKIT-030	GB6170-2000 M8	Nut, M8	12
31	FP14KCX-ALIGNKIT-031	GB/T91-2000 5X40	Cotter Pin	4
32	FP14KCX-ALIGNKIT-032	GB93-1987 D8	Lock Washer, D8	12
33	FP14KCX-ALIGNKIT-033	GB95-1985 D8	Flat Washer, D8	12

FP14KCX-ALK

FP14KC-X

Airline Kit w/ FRL

(FRL - Filter, Regulator & Lubricator)



Installation Instructions

IMPORTANT!!

READ MANUAL THOROUGHLY BEFORE ASSEMBLING, INSTALLING, OPERATING, OR MAINTAINING AIRLINE KIT. WHEN DONE WITH INSTALLATION BE SURE TO RETURN DOCUMENTS TO PACKAGE AND GIVE ALL MATERIALS TO LIFT OWNER / OPERATOR.

FP14KCX-ALK

Air-Line Kit w/ FRL (Filter, Regulator & Lubricator)

Product Description:

The iDEAL Air-Line Kit (FP14KCX-ALK) is designed to be applied to the four post, closed front flat deck iDEAL FP14KC-X & FP14KAC-X lift models. The Air-Line Kit provides the iDEAL FP14KCX lift models with an internal airline that provides directed compressed air to for two rolling bridge air jacks, while including an extra outlet access point for air driven tools. The Air-Line Kit also includes a FRL (Filter, Regulator & Lubricator) providing additional protection & adjustments for pneumatic lift components, as well as for rolling bridge air jacks. The iDEAL Air-Line Kit is an optional accessory for the FP14KC-X Service Lift and included as standard for the FP14KAC-X Alignment Lift.

Main Kit Components: (See Exploded View & Part List for Details)

- FRL (Filter, Regulator & Lubricator)
- Coiled Air Tubing Assy.
- Wire Guides & Brackets
- Air Fitting Connectors
- 10mm Air Tubing
- RAJ Front & Rear Redirect Tubing & Fitting Components
- All Mounting Hardware

Required Tools:

- Sockets or Open Wrench Set
- Air Tubing Cutter, Razor Blade, or Sharp Knife
- Medium Flat & Philip Screwdrivers
- Large Pliers or Channel Lock Pliers
- Safety Glasses
- Gloves

Installation Instructions:

CAUTION: Disconnect compressed shop air supply from lift, prior to Air-Line Kit installation.

Step 1: Control Bracket & Air Valve

- 1) Raise lift to a comfortable working height to gain access to the underside of Main Side Runway, then lower lift onto Safety Latches.
- 2) If already connected, remove Air Inlet Fitting Assembly from Control Bracket, and set aside for reuse. Air Tubing connected to Inlet Fitting Assembly to stay connected to Air Valve inlet port, Fig. 1.

NOTE: Use 'Quick Disconnect' Air Inlet Fitting used from FP14KC-X Hardware for FLR 'Inlet' Port, Fig. 2.

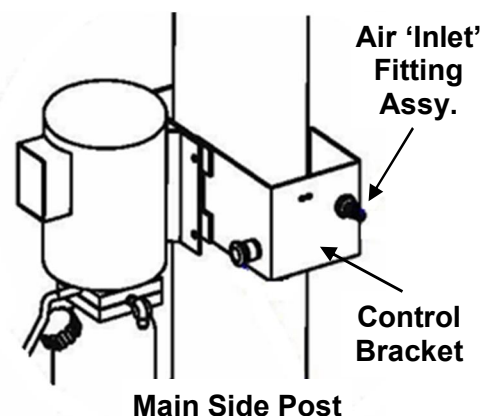
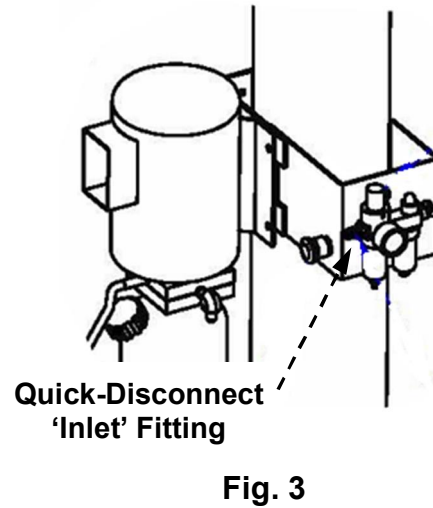
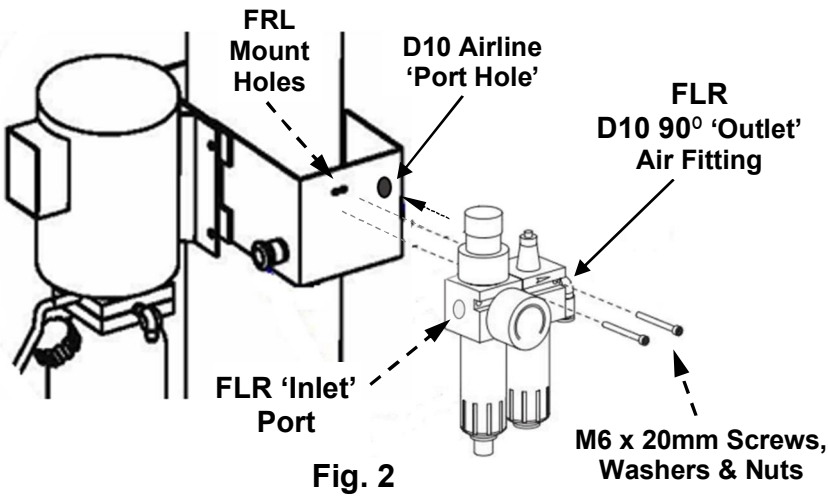


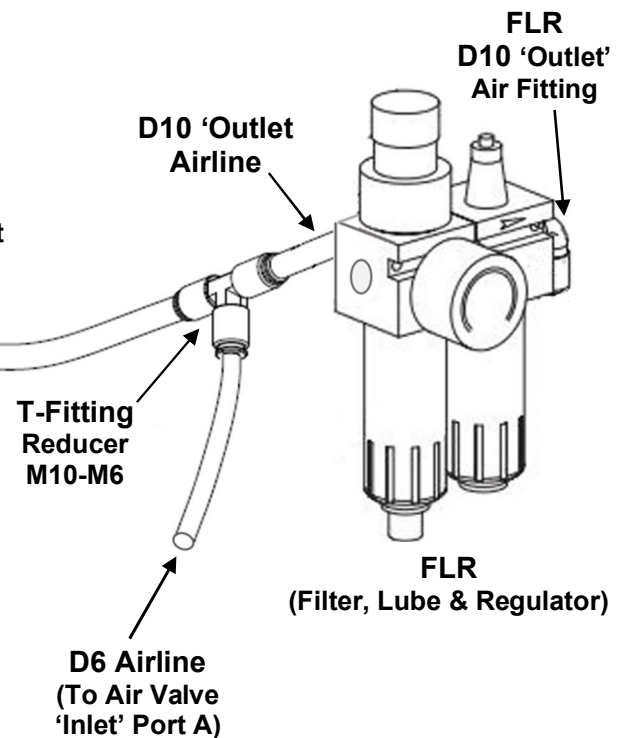
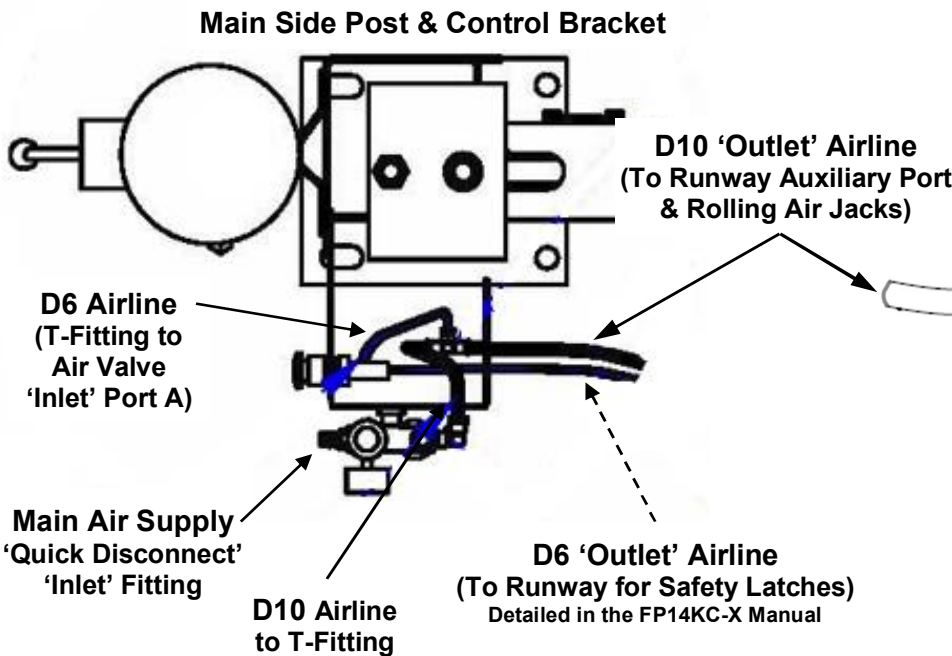
Fig. 1

- 3) Using the M6 x 20mm Screws, Washers & Nuts, mount FRL (Filter, Regulator & Lubricator) to the two holes located on the side of Control Bracket, **Fig. 2**. Ensure FRL's 90° Outlet Air Fitting is aligned with port hole in Control Bracket to route D10 Airline in following steps.
- 4) Install Quick-Disconnect Inlet Fitting to the FRL Inlet port, **Figs. 2 & 3**.



NOTE: To assemble airline tubing into push fittings, use firm pressure to push tubing into fitting until it bottoms out. Ensure tubing is cut square with no burrs.

- 5) Using D10 Airline & Air Fitting T-Connector Reducer (M10-M6), cut a 4+ to 5+ length and connect to outlet port on FRL, making sure to route through the hole in the Control Bracket. Connect the other end, routed through hole in Bracket to one of the (M10) T-Fitting push ends, **Figs. 4 & 5**.
- 6) Connect the previously disconnect D6 Airline end from the Air Inlet Fitting to the (M6) T-Fitting end that goes to the Air Inlet Valve Port. **Figs. 4 & 5**.



- 7) Using D10 x 71+Airline, connect to remaining (M10) T-Fitting end in Fig. 5, then carefully route through the Corrugated Tubing to extend through runway hole and over & across to Auxiliary Air Outlet Port located on inside, front section of the runway, Fig. 6.

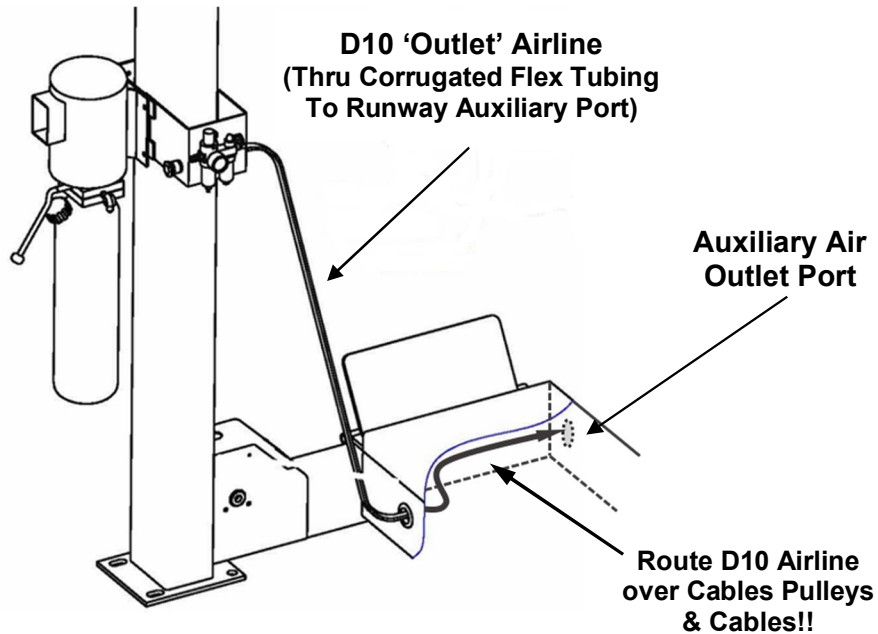


Fig. 6

CAUTION: Ensure D10 Airline is routed above the Cable Pulleys on underside on Runway!!

Step 2: Main Side Runway

- 1) For Auxiliary Air Outlet Port. mount the (M10) Run T-Fitting Connector & Plug Assembly to runway port, ensuring the π section of Run T-Fitting is pointed towards the rear of runway, with the Hex Female Bushing & Plug end inserted through port hole in Runway. Secure T-Fitting with 45mm Jam Nut, Fig 7.
- 2) Using the previously routed D10 Airline, cut airline to length (if needed) to connect to the T-Fitting's push end port, directly across, ensuring the D10 airline is routed above & clear of Cable Pulleys, Figs. 7 & 8.

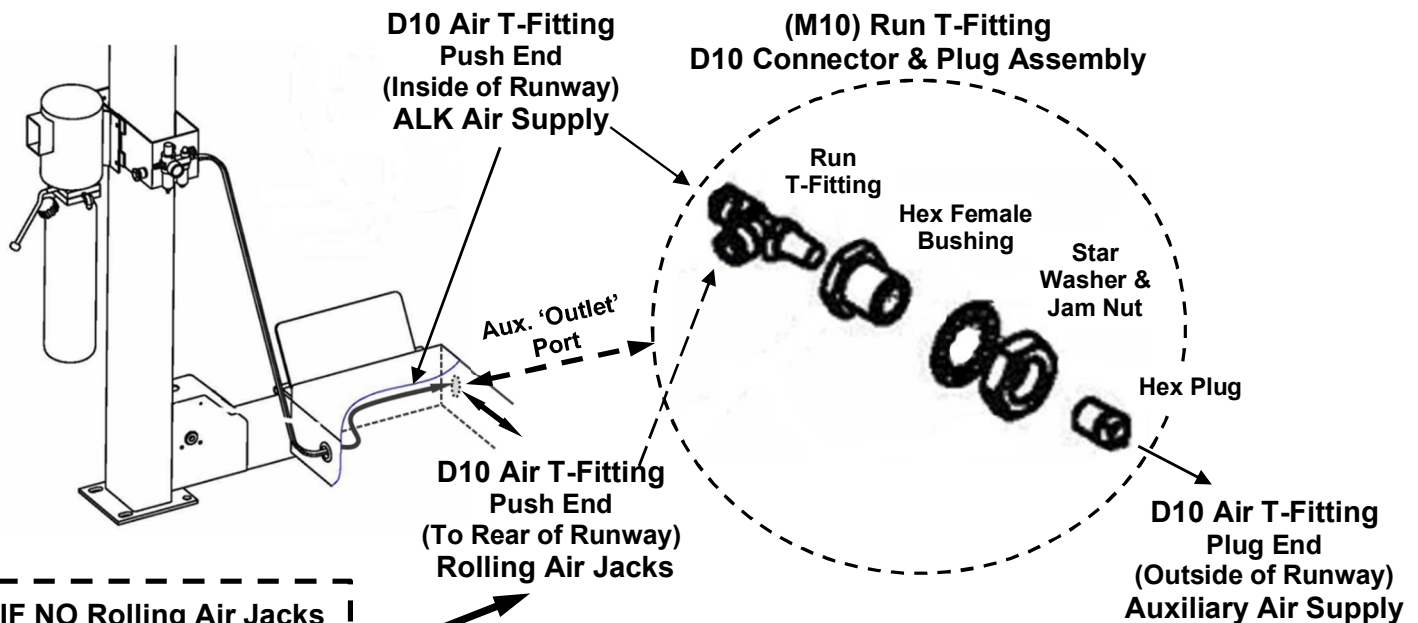


Fig. 7

NOTE: IF NO Rolling Air Jacks Must Plug T-Fitting Push End! (Plug Not Supplied in Kit)

Air Fitting T-Connector to the middle of section of Main Side Runway, ensuring

the end is positioned to the outside of runway towards jack rails. Secure Bulkhead Air Fitting T-Connector to runway with 45mm Female Busing, Washers & Jam Nut. Next, mount (M10) Air Fitting 90° Connector to Hex Female Bushing, positioned to the inside of the runway, **Fig 8**.

- 4) Using D10 x 110+Airline, connect to Auxiliary Ports T-Fittings, push end, on the inside of front of runway, **Fig. 7**; then route D10 airline to connect to the (M10) Air Fitting 90° Connector, **Fig. 8**.
- 5) Connect both Coiled Air Tubing, threaded ends to each side of the Bulkhead T-Connector. Note: The Female Quick Connector ends will connect to Rolling Jacks, **Fig. 8**.

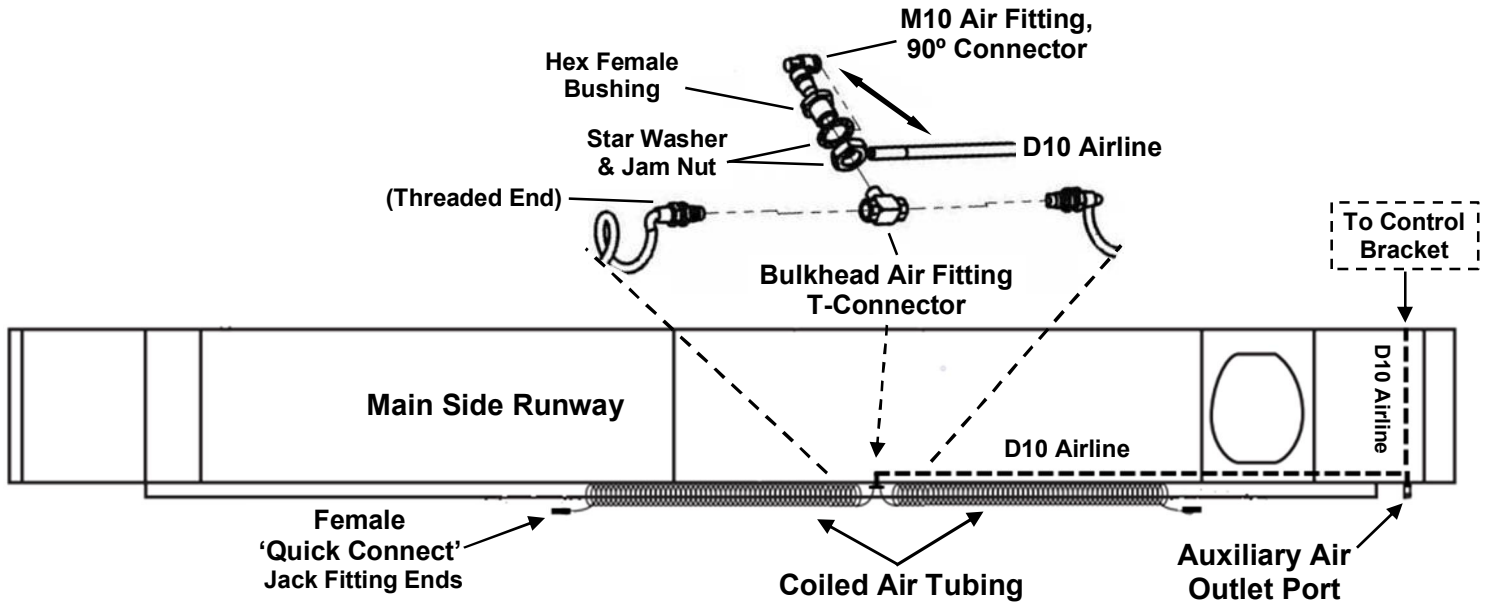


Fig. 8

- 6) Attach 4ea Angle Brackets to the mount holes on the inside of Main Side Runway using M8 x 30mm Hex Bolts, M8 Flat & Lock Washers, and Hex Nuts, as shown in **Fig 9**.
- 7) After attaching Angle Brackets to runway, route the Guide Wires (Front, Rear & Center) through Coiled Air Tubing, then attach ends to Angle Brackets using 8ea 1/4" Hex Nuts & 2ea Hex Coupler Nuts, **Fig 9**.

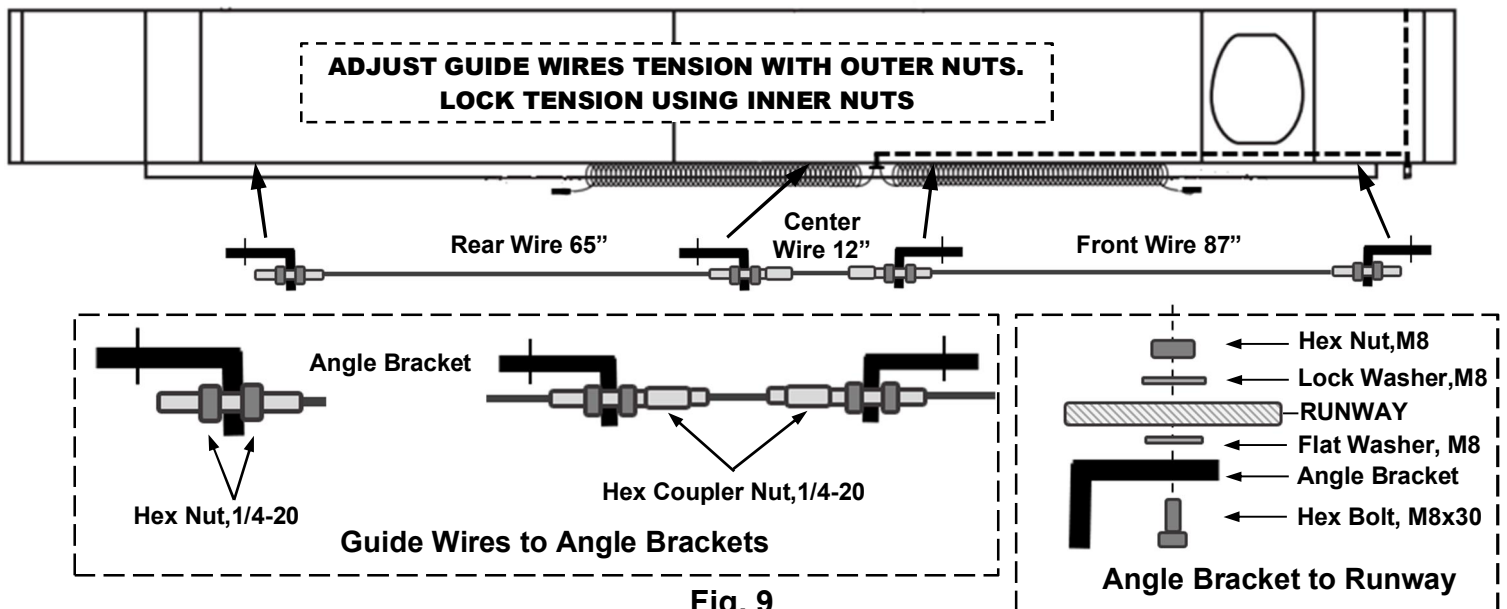


Fig. 9

Step 3: Rolling Bridge Jacks (RAJ-7K-H)

NOTE: RAJ-7K-H Rolling Bridge Jacks should already be Installed on Runways.

- 1) Ensure Rolling Bridge Jacks are already positioned & installed on runways, as shown below in **Fig. 10**.
- 2) For both Front & Rear Rolling Jacks, mount Connector Block to the threaded holes already applied to top & side of each Jack's Frame using 2ea M6 x 12mm Socket Head Screws & D6 Lock Washers, **Fig. 11**.
- 3) Install (M8) Air Fitting, Straight Connectors to the inside of each Connector Block, while also installing Straight Connectors to the Hex Coupler Fittings (already applied) for each Air / Hydraulic Pump, **Fig. 11**.
- 4) Using D8 Airline, cut to length & route for Front & Rear Jacks, as shown in **Figs, 11A & 11B**. After Airlines are connected to both Jacks, connect to Coiled Tubing ends to Jacks, using Quick Disconnect Fittings.

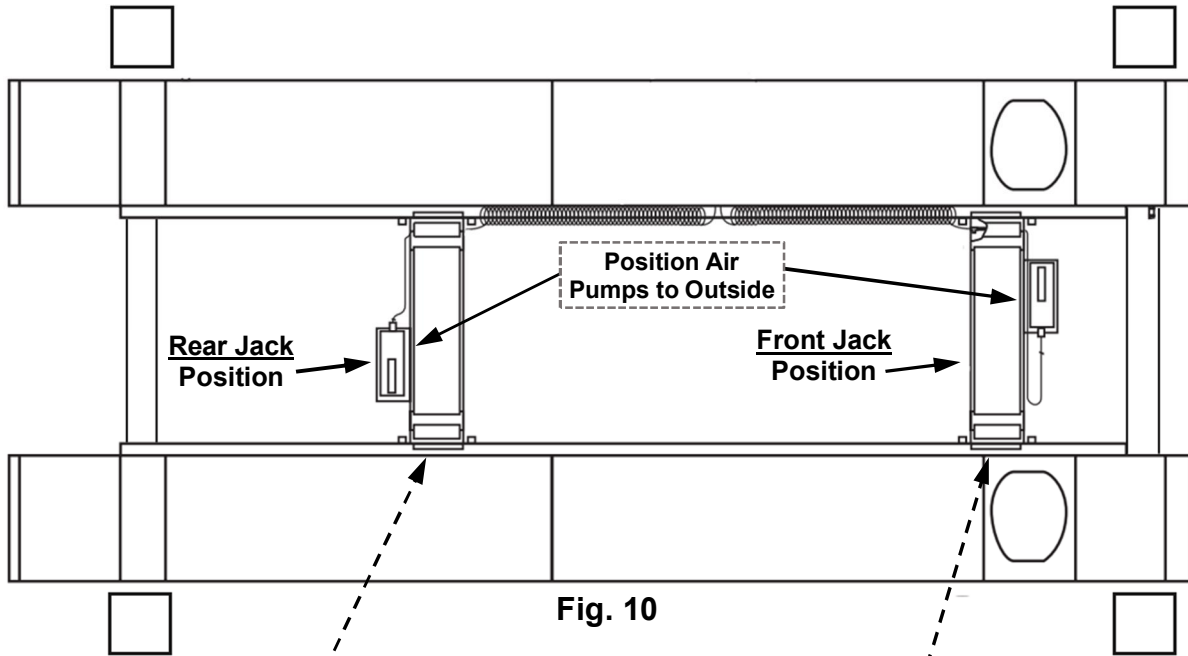


Fig. 10

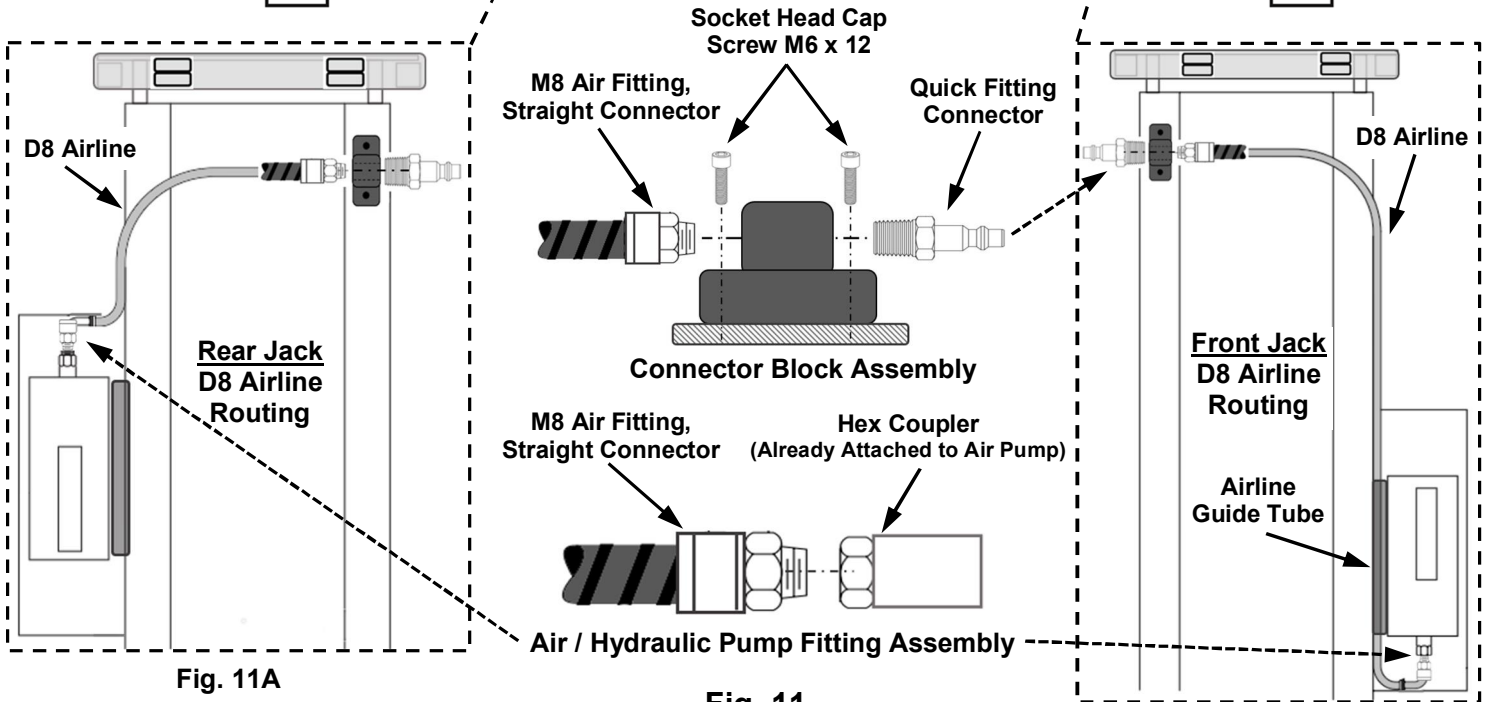


Fig. 11A

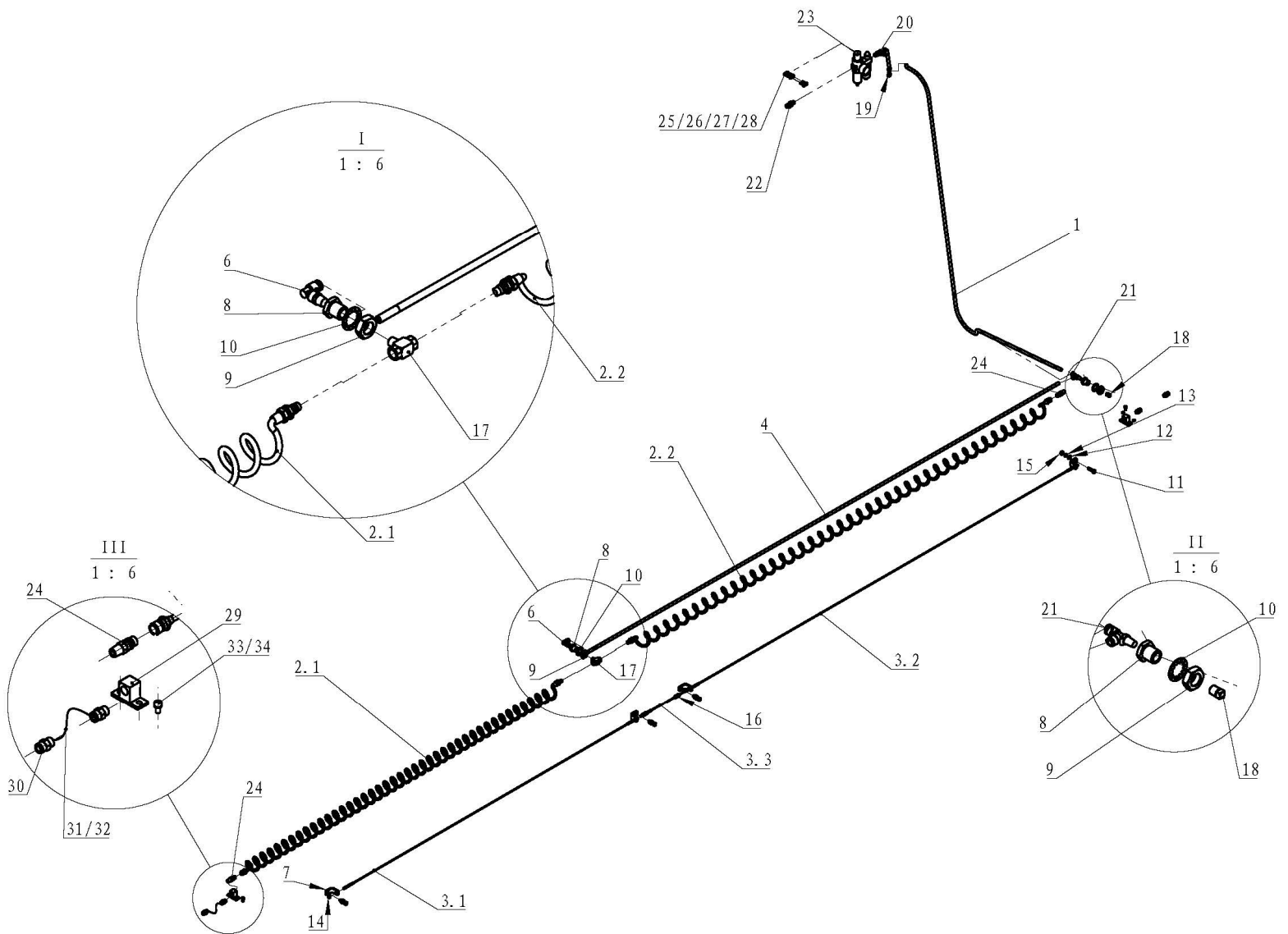
Fig. 11

Fig. 11B

Step 4: Final Air-Line Kit Installation Checks

- Check that all airlines & air fittings are connected properly, with no air leaks.
- Check that the air pressure on the FLR Regulator is adjusted to 110 min to 115 max (PSI).
- Check that the air valve and air cylinders are functioning for proper lift latch release operation.
- Check for any strange noises during lifting and lowering operation for both lift & air jacks.

Exploded View



Parts List

ITEM	Tux P/N	M-REF P/N	DESCRIPTION	QTY
1	FP14KCX-ALK-001	Ø10 x 1.8 meter	Air Tubing, D10 x 71+	1
2	FP14KCX-ALK-002	Ø10 x 12q	Coiled Air Tubing Assy. D10 x 12q	2
3.1	FP14KCX-ALK-003.1	TT-8861-600-01-3.1	Rear Guide Wire - 65.7+(1670mm)	1
3.2	FP14KCX-ALK-003.2	TT-8861-600-01-3.2	Front Guide Wire - 87+(2210mm)	1
3.3	FP14KCX-ALK-003.3	TT-8861-600-01-3.3	Center Guide Wire - 12.2+(309mm)	1
4	FP14KCX-ALK-004	Ø10 x L=2.8meter	Air Tubing, D10 x 110+	1
6	FP14KCX-ALK-006	SPL10-02	Air Fitting, 90° Connector, M10	1
7	FP14KCX-ALK-007	TT-8861-600-02	Angle Bracket, Guide Wire	4
8	FP14KCX-ALK-008	TT-8861-600-03	Hex Female Bushing, 45mm	2
9	FP14KCX-ALK-009	TT-8861-600-04	Jam Nut, 45mm	1
10	FP14KCX-ALK-010	GB/T861.1-1987 D20	Star Lock Washer, D20	2
11	FP14KCX-ALK-011	GB5783-2000 M8x30	Bolt, M8 x 30mm	4
12	FP14KCX-ALK-012	GB95-1985 D8	Flat Washer, D8	4
13	FP14KCX-ALK-013	GB6170-2000 M8	Hex Nut, M8	4
14	FP14KCX-ALK-014	UNC1/4"-20	Hex Nut, 1/4"-20	8
15	FP14KCX-ALK-015	GB93-1987 D8	Lock Washer, D8	4
16	FP14KCX-ALK-016	TT-8861-600-05	Hex Coupler Nut, 1/4"-20	2
17	FP14KCX-ALK-017	TT-8861-600-06	Bulkhead Air Fitting T-Connector	1
18	FP14KCX-ALK-018	TT-8861-600-07	Hex Cap Plug	1
19	FP14KCX-ALK-019	SPEN10-6	Air Fitting, T-Connector, M10/M6	1
20	FP14KCX-ALK-020	SPL10-02	Air Fitting, 90° Connector, M10	1
21	FP14KCX-ALK-021	SPD10-02	Air Fitting, Run T-Connector, M10	1
22	FP14KCX-ALK-022	TT-8861-600-08A	*Air Inlet Fitting, 1/4+(Type D)	*RPL
23	FP14KCX-ALK-023	DAFC2000	(FRL) Filter, Regulator & Lubricator	1
24	FP14KCX-ALK-024	TT-8861-600-08	Air Fitting, Quick Connector (PM20)	2
25	FP14KCX-ALK-025	GB818-2000 M6x20	Screw, M6 x 20mm	2
26	FP14KCX-ALK-026	GB95-1985 D6	Flat Washer, D6	2
27	FP14KCX-ALK-027	GB93-1987 D6	Lock Washer, D6	2
28	FP14KCX-ALK-028	GB6170-2000 M6	Hex Nut, M6	2
29	FP14KCX-ALK-029	LJ07-0100-000	Air Fitting, Connector Block (RAJ-7K)	2
30	FP14KCX-ALK-030	DT01-13001-000	Air Fitting, Straight Connector, M8 (RAJ-7K)	4
31	FP14KCX-ALK-031	LJ01-11000-FJ1	Air Tubing #1, D8 (Front, RAJ-7K)	1
32	FP14KCX-ALK-032	LJ01-12000-FJ1	Air Tubing #2, D8 (Rear, RAJ-7K)	1
33	FP14KCX-ALK-033	GB70.1-2000 M6*12	Socket Head Cap Screw, M6 x 12mm	4
34	FP14KCX-ALK-034	GB93-1987 D6	Lock Washer, D6	4

TURNTABLE-FP14KCX

HD Alignment Turntable Set (2ea)

4,500 lb. Capacity Each
(14" x 14" x 1.5")



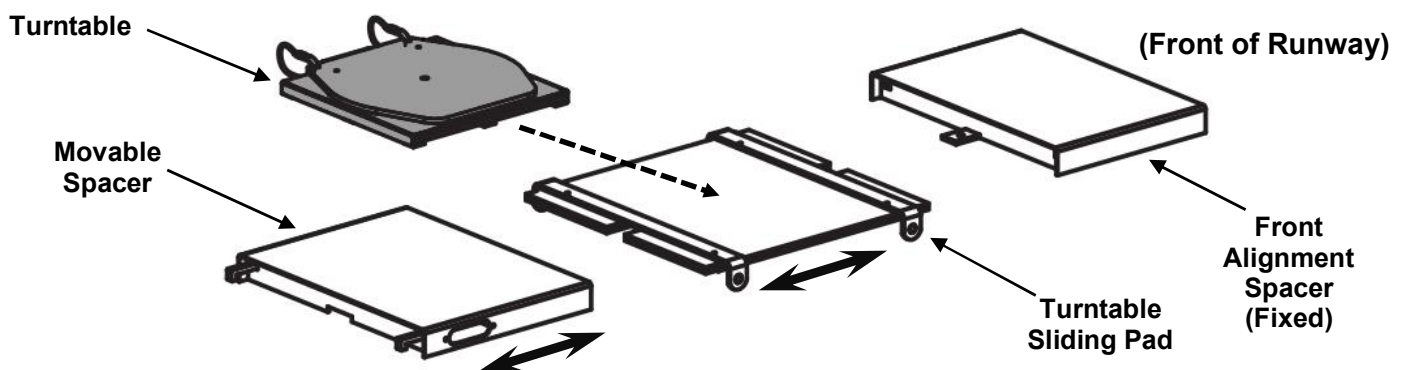
FEATURES

- High Quality Construction
- HD Carbon Radius Steel Top Plate
- Base Handle for Easy Positioning
- 9,000 lb. Total Set Capacity (4,500 lb. ea.)

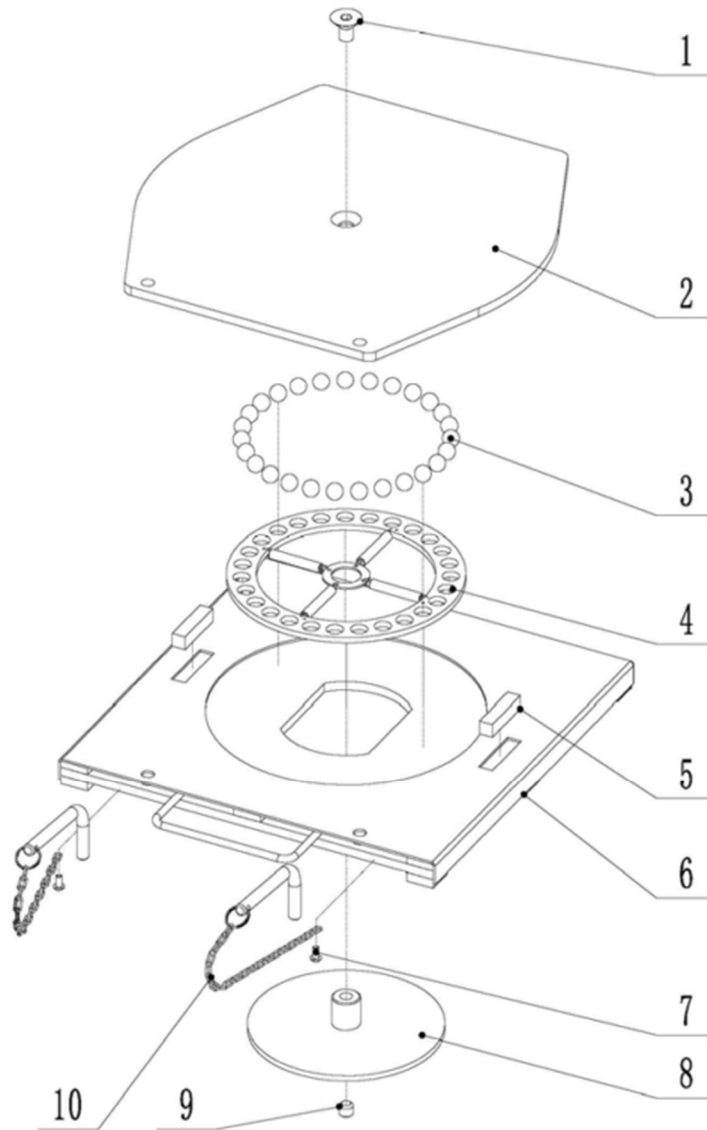
Installation / Position Instructions:

- 1) Position Turntables on the Sliding Pad at the front of the Alignment Runways with Handles facing outwards. Use sliding Pad to easily position Turntables to the 'front or back' position, while using the Movable Spacer to fill the runway gap.

NOTE: Ensure L-Pins are inserted in Top Plates to hold in place when positioning vehicle wheels.



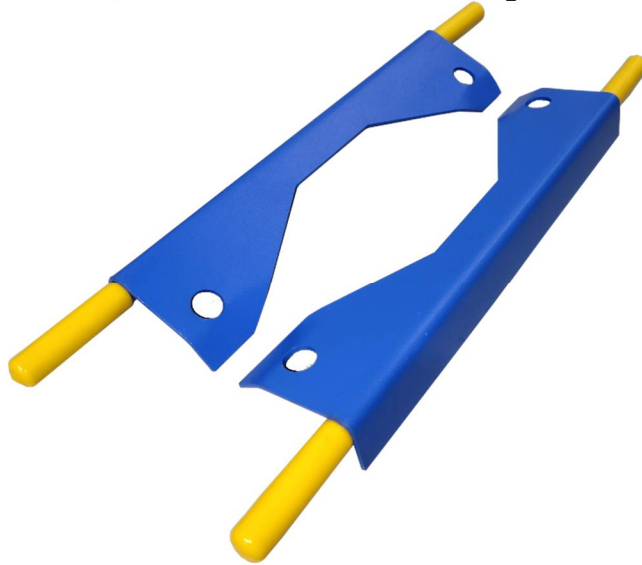
Exploded View & Parts List (TURNTABLE-FP4KCX)



ITEM	Tux P/N	M-REF P/N	DESCRIPTION	QTY
1.	TURNTABLE-FP4KCX	305812M-M12X20	Socket Screw, M12 x 20mm	1
2.	TURNTABLE-FP4KCX	305812M-M07A01-2	Top Plate	1
3.	TURNTABLE-FP4KCX	305812M-M07A01-10	POM Nylon Ball	27
4.	TURNTABLE-FP4KCX	305812M-M07A01-03	Ball Retainer Frame	1
5.	TURNTABLE-FP4KCX	305812M-M07A01-11	Nylon Block	2
6.	TURNTABLE-FP4KCX	305812M-M07A01-01	Base Plate	1
7.	TURNTABLE-FP4KCX	305812M-M5X10	Socket Screw, M5 x 10mm	2
8.	TURNTABLE-FP4KCX	305812M-M07A01-02	Guide Plate	1
9.	TURNTABLE-FP4KCX	305812M-M12X10	Socket Cap Screw, M12 x 10mm	1
10.	TURNTABLE-FP4KCX	305812M-TP1B99-8	L-Pin w/ Chain	2

TURNTABLE-RBSPCR

HD Turntable, Rollback Spacer Set (2ea)

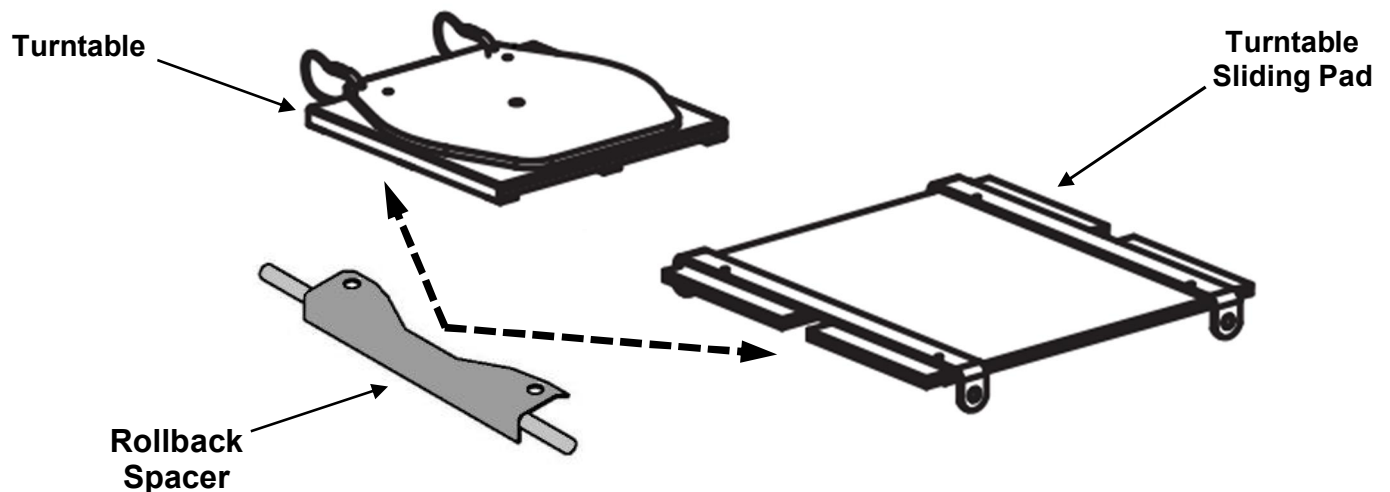


FEATURES

- Designed for use with iDEAL Turntables (TURNTABLE-FP4KCX)
- Fills gap behind Turntables for level 'Rollback' front wheel positioning
- Dual Handles with protective Vinyl Sleeves provide Easy Placement
- High Quality Construction with Durable Powder-Coat Finish

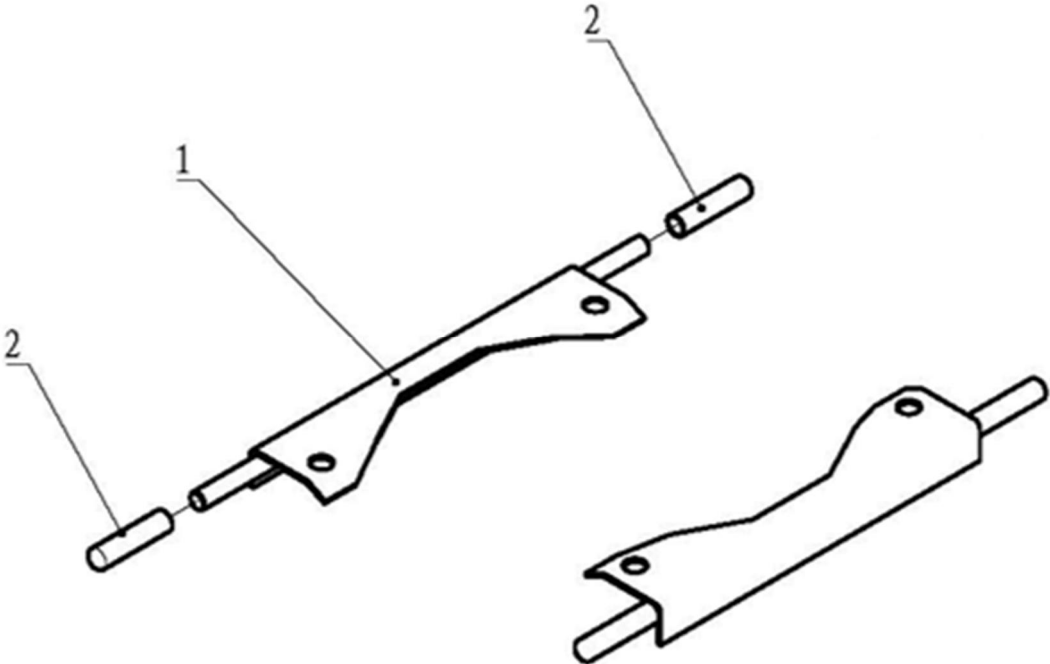
Installation / Position Instructions:

- 2) With Turntables placed on sliding Turntable Pads, position Rollback Spacers behind Turntables to fill gap for the approach end of vehicles.



Exploded View & Parts List

(TURNTABLE-RBSPCR)



ITEM	Tux P/N	M-REF P/N	DESCRIPTION	QTY
1.	TURNTABLE-RBSPCR-001	TT-8861-700-22-HJ	Spacer Weldment	2
2.	TURNTABLE-RBSPCR-002	TT-8861-700-23	Vinyl Sleeve (Yellow)	4



(Turntable not included, shown for application purposes only)

LIMITED WARRANTY

Structural Warranty:

The following parts and structural components carry a five-year warranty:

Columns	Arms	Uprights	Swivel Pins
Legs	Carriages	Overhead Beam	
Tracks	Cross Rails	Top Rail Beam	

Limited One-Year Warranty:

Tuxedo Distributors, LLC (iDEAL) offers a limited one-year warranty to the original purchaser of Lifts and Wheel Service equipment in the United States and Canada. Tuxedo will replace, without charge, any part found defective in materials or workmanship under normal use, for a period of one year after purchase. The purchaser is responsible for all shipping charges. This warranty does not apply to equipment that has been improperly installed or altered or that has not been operated or maintained according to specifications.

Other Limitations:

This warranty does not cover:

1. Parts needed for normal maintenance
2. Wear parts, including but not limited to cables, slider blocks, chains, rubber pads and pulleys
3. Replacement of lift and tire changer cylinders after the first 30 days. A seal kit and installation instructions will be sent for repairs thereafter.
4. On-site labor

Upon receipt, the customer must visually inspect the equipment for any potential freight damage before signing clear on the shipping receipt. Freight damage is not considered a warranty issue and therefore must be noted for any potential recovery with the shipping company.

The customer is required to notify Tuxedo of any missing parts within 72 hours. Timely notification must be received to be covered under warranty.

Tuxedo will replace any defective part under warranty at no charge as soon as such parts become available from the manufacturer. No guarantee is given as to the immediate availability of replacement parts.

Tuxedo reserves the right to make improvements and/or design changes to its lifts without any obligation to previously sold, assembled, or fabricated equipment.

There is no other express warranty on the Tuxedo lifts and this warranty is exclusive of and in lieu of all other warranties, expressed or implied, including all warranties of merchantability and fitness for a particular purpose.

To the fullest extent allowed by law, Tuxedo shall not be liable for loss of use, cost of cover, lost profits, inconvenience, lost time, commercial loss or other incidental or consequential damages.

This Limited Warranty is granted to the original purchaser only and is not transferable or assignable.

Some states do not allow exclusion or limitation of consequential damages or how long an implied warranty lasts, so the above limitations and exclusions may not apply. This warranty gives you specific legal rights and you may have other rights, which may vary from state to state.

8320 E Hwy 67, Alvarado, TX 76009
Ph. 817-558-9337 / Fax 817-558-9740