

# **New!! IWA-60-2000T-K**

## **3D iPRO 'WIDE SCOPE / MULTI BAY'**

### **IMAGE WHEEL ALIGNER SYSTEM**

Experience the pinnacle of wheel alignment technology with the iDEAL 3D iPRO Imaging Wheel Alignment System (IWA-60-2000T-K). The state-of-the-art aligner system is engineered for unparalleled precision, offering 0.01 degrees of alignment accuracy with real-time measurements to enhance your workshop's productivity. The iDEAL iPRO 3D Wheel Aligner's portability facilitates versatile applications across multiple bays, while the innovative 'Wide Scope' technology doubles the working height range compared to conventional 3D image wheel aligners. The system's four-point contact, 'self-centering' adjustable wheel clamps, and reversible studs, paired with robust magnesium targets, ensure rapid and accurate positioning for a wide array of tire rims, guaranteeing precise and secure wheel mounting. The intuitive software, complete with 3D vehicle chassis models, allows for immediate visualization of wheel alignment angles. The 21.5-inch wide-screen LCD monitor offers clear instructions and the choice of 2D or 3D graphic illustrations, supported by an integrated help system. Elevate your service offerings with the iDEAL iPRO 3D Wheel Aligner Multi-Bay System, the ultimate solution for precision, versatility, and ease of use in alignment technology.

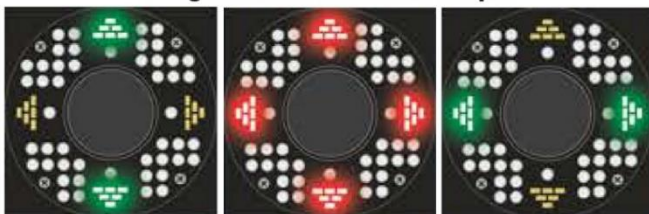
### **Standard System Features**

- MOBILE, MULTI BAY ALIGNER SYSTEM
- EXCLUSIVE 'WIDE SCOPE' TECHNOLOGY EXTENDS WORKING HEIGHT RANGE
- TWO DIGITAL HIGH-RES 3D INDUSTRIAL GRADE CAMERAS
- WORKS WITH MULTIPLE STYLE ALIGNMENT LIFTS
- FOUR POINT CONTACT 'SELF-CENTERING' ADJUSTABLE WHEEL CLAMPS
- ROLLING & LIFTED COMPENSATION CAPABLE
- .01 DEGREES ALIGNMENT ACCURACY
- FRONT, REAR, ALL READINGS SCREEN
- MULTIPLE 2D & 3D LIVE VIEWS SCREEN OPTIONS
- PRE-INSTALLED 25+ SPEC YEARS DATA BASE
- ADJUSTMENT DIAGRAMS & INTEGRATED HELP SYSTEM
- DATABASE INCLUDES WHEEL ALIGNMENT SPECS, TIRE PRESSURE SPECS, ADJUSTMENT DIAGRAMS & IMAGES FOR 60,000+ VEHICLE MODELS
- MULTI-FUNCTIONAL LED PROMPT GUIDES
- MULTIPLE LANGUAGES OPTIONS
- REMOTE CONTROLLER OPERATION OPTION
- CONTROL ALIGNER WITH SMART PHONE OR TABLET (ANDROID ONLY)
- DOUBLE SIDED WHEEL CLAMP STUDS FOR BOTH STEEL & ALLOY RIMS
- MICROSOFT® WINDOWS 10 or 11® OPERATING SYSTEM
- TESTED & CALIBRATED PRIOR TO DELIVERY
- QUICK & EASY ASSEMBLY
- USER FRIENDLY INTERFACE WITH ADVANCED HELP & SUPPORT SYSTEM
- DURABLE, POWDER-COATED METAL CABINET W/ UPPER DRAWER
- MOST CURRENT ALIGNMENT SOFTWARE SPECS AVAILABLE AT TIME OF PURCHASE
- OPTIONAL YEARLY SPECS & SOFTWARE UPDATES AVAILABLE

### **Standard Accessories**

- MINI S PC W/ INTEL® CELERON® PROCESSOR
- 4EA 12" TO 24" ADJUSTABLE WHEEL CLAMPS
- 4EA COMPACT, LIGHT WEIGHT, DURABLE MAGNESIUM ALLOY TARGETS W/ PROTECTIVE OIL RESISTANT FILM LAYER
- 21.5" FLAT PANEL LCD MONITOR WITH WIRELESS KEYBOARD & MOUSE
- STEERING WHEEL HOLDER, BRAKE DEPRESSOR & WHEEL CHOCKS
- PORTABLE STORAGE CABINET WITH LOCKING SWIVEL CASTERS
- STORAGE BRACKETS FOR WHEEL ADAPTERS & TARGETS
- 2.4 GHz WIRELESS REMOTE CONTROLLER & USB RECEIVER
- VIN CODE SCANNER CAPABLE (NOT INCLUDED)

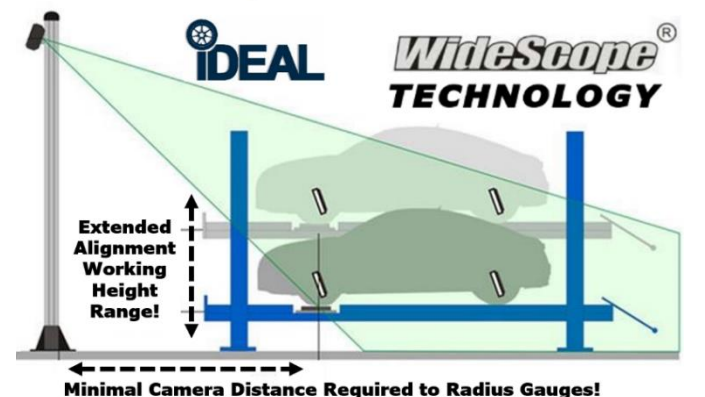
#### **Integrated LED Indicator Prompts**



Rolling Compensation

Stop

Caster Swing



**Premium Products at Affordable Prices!!**

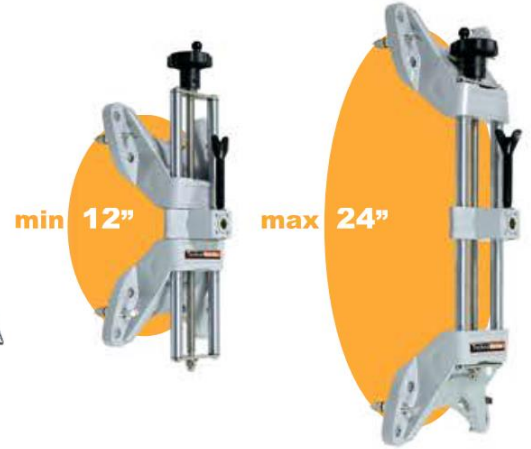
# Specifications

Aligner Model	IWA-60-2000T-K
Aligner Type	3D 'Wide Scope' Imaging
Operating System	Windows 10
Software	Techno Vector 7
Accuracy	0.01 Degrees
Certification	CE
Target Size (4)	Standard
Cameras (Total)	2 (Hi Res / WideScope)
4 Post or Scissor Alignment Lift	Required
Standard Wheel Clamps (4)	12" - 24"
Toe Adjustment	Yes
Raised Mode	Yes
Live Caster	Yes
Runout Compensation	Yes
Wheel Alignment Mode	Yes
Database Update	Yes
Customer Manager	Yes
Lift Range Height	35" to 67"
Max Wheelbase	Up to 13' (157.5")
Power	120V-15 Amp / 1PH / 60HZ
Ship Weight	500 lbs. (2pcs)

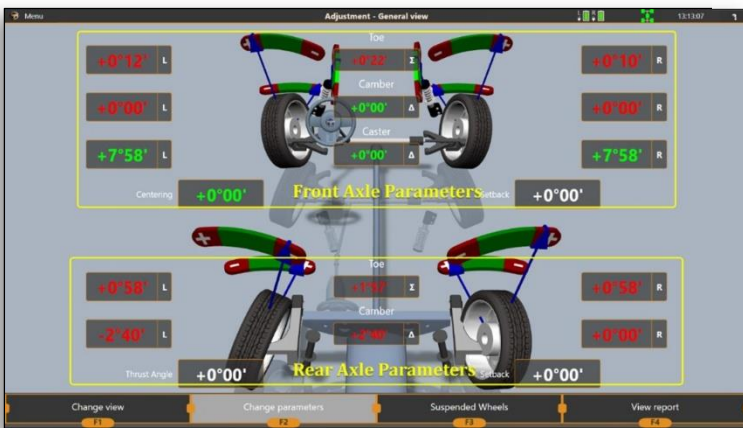
# IDEAL IWA-60-2000T-K



WideScope® Digital Hi-Res Cameras



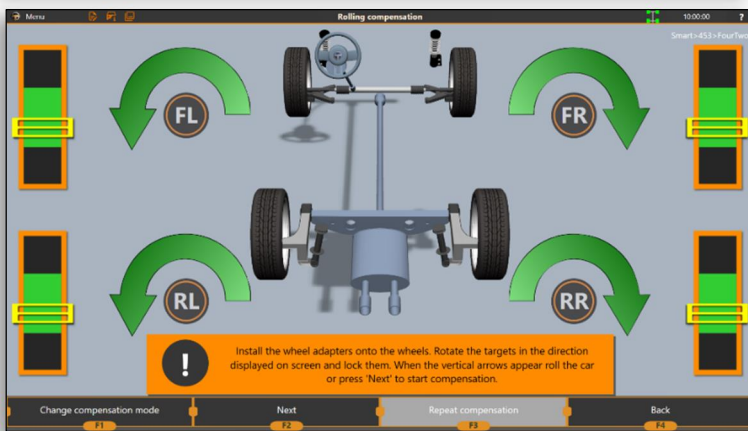
## Easy User Interface with 3D Adjustment Diagrams & Integrated System Support



'Self-Centering' Wheel Clamps



'Light Weight' Magnesium Alloy Targets



'Included' Remote Controller, Steering Wheel Holder, Brake Depressor & Wheel Chocks

## Expert USA Set-Up & Warranty Support!!

- FREE TECHNICAL PHONE SUPPORT FOR INITIAL SET-UP & OPERATIONAL INSTRUCTIONS
- SOFTWARE UPDATES AVAILABLE ON AN ANNUAL BASIS
- MANUFACTURER LIMITED WARRANTY: 1 YEAR PARTS & LABOR



Premium Products at Affordable Prices!!

[www.idealautoequip.com](http://www.idealautoequip.com)

[www.tuxedoautoequip.com](http://www.tuxedoautoequip.com)



IDEAL IWA-60-2000T-K (JUN 2024)