

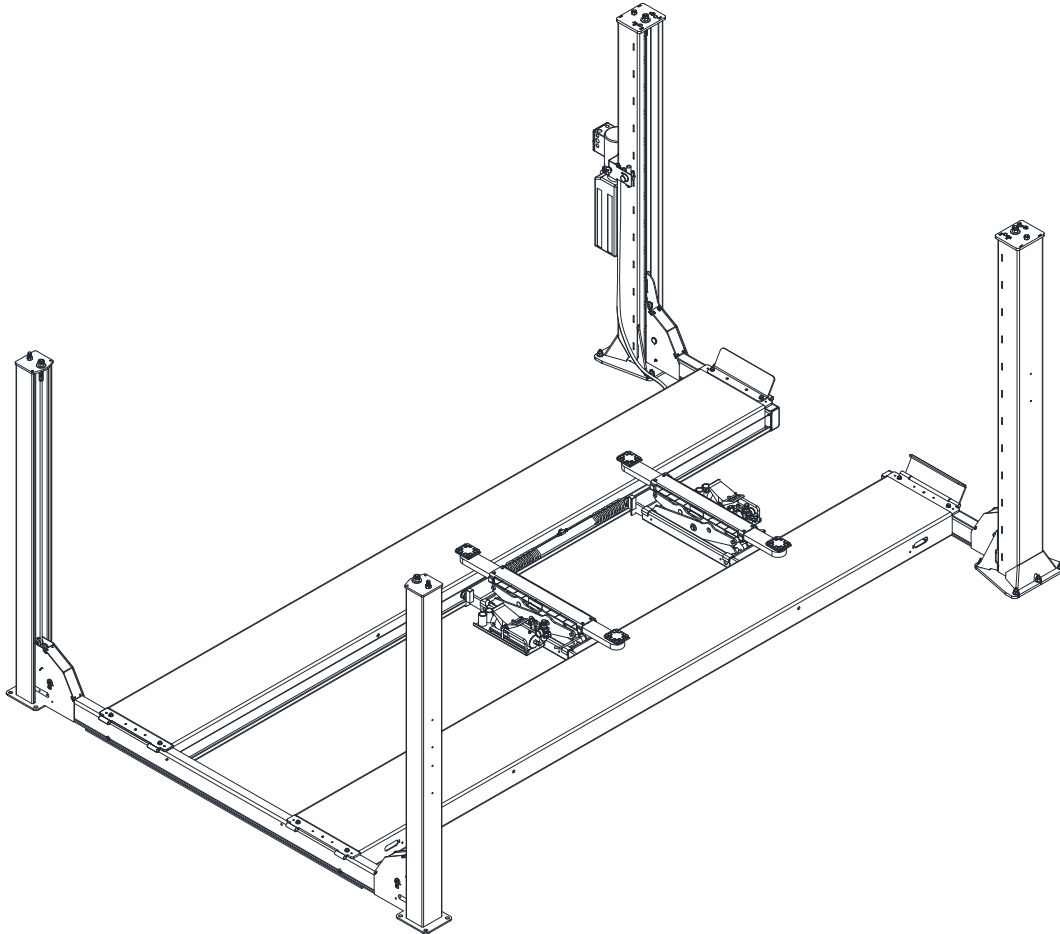
Air Line Accessory Kit
Installation & Operation Supplement

CL Challenger Lifts

INSTALLATION & OPERATION MANUAL SUPPLEMENT

AIR LINE ACCESSORY KIT

FOR MODEL 4115 SERIES



2311 SOUTH PARK RD LOUISVILLE, KENTUCKY 40219

EMAIL: SALES@CHALLENGERLIFTS.COM WEB SITE: WWW.CHALLENGERLIFTS.COM

OFFICE 800-648-5438 / 502-625-0700 FAX 502-587-1933

**IMPORTANT: READ THIS MANUAL COMPLETELY BEFORE
INSTALLING or OPERATING LIFT**

**Read entire manual before assembling, installing, operating, or
servicing this equipment. Proper maintenance and inspection is
necessary for safe operation. DO NOT operate a damaged lift.**

Rev 04/14/2020
40230-IOM.doc

Air Line Accessory Kit
Installation & Operation Supplement

LAYOUT VIEW

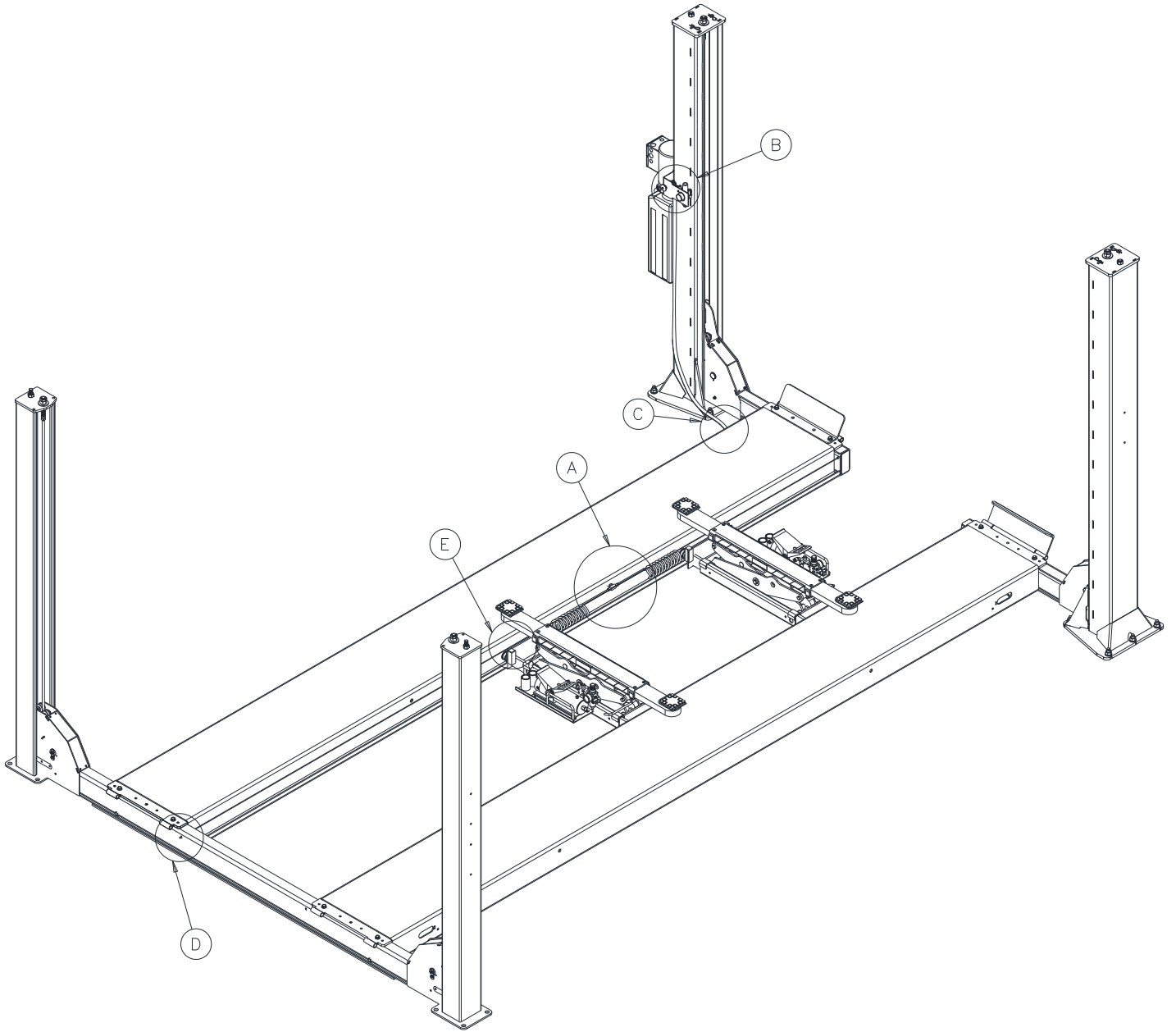
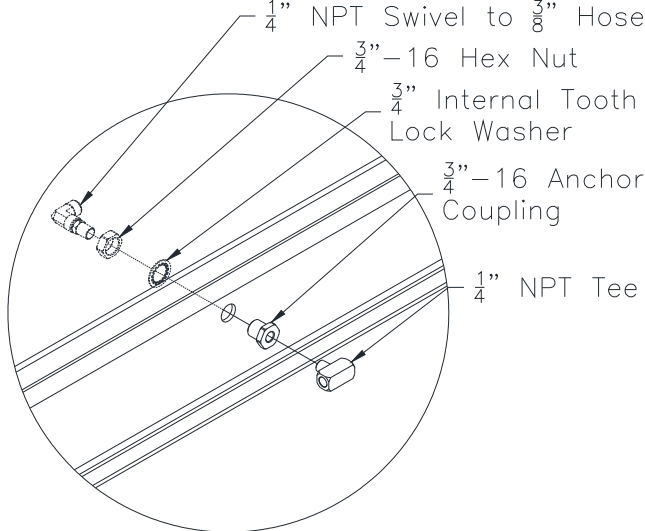


Fig. 1 – Detail View

Air Line Accessory Kit
Installation & Operation Supplement

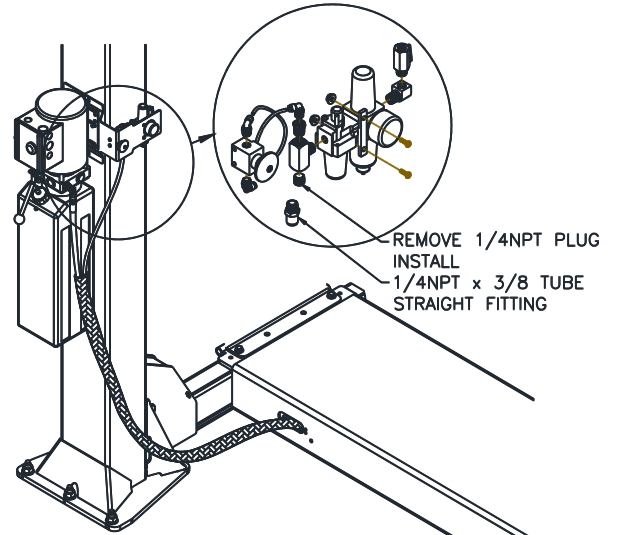
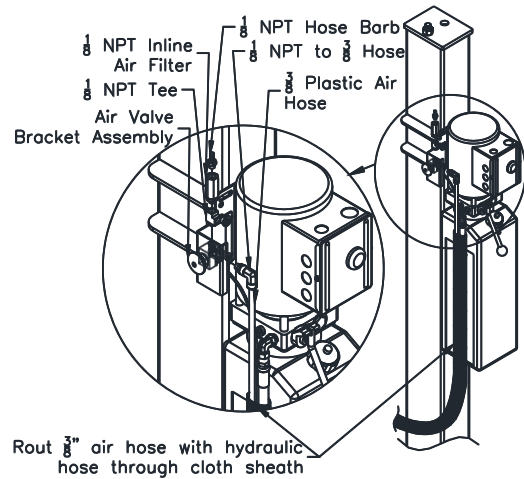
TEE FITTING INSTALLATION

1. Move lift to comfortable working height and rest in locks.
2. Locate $\text{Ø}13/16$ " on the vertical wall of the power runway. As shown in **Fig 1**.
3. Assemble fittings as show in **Detail A**.



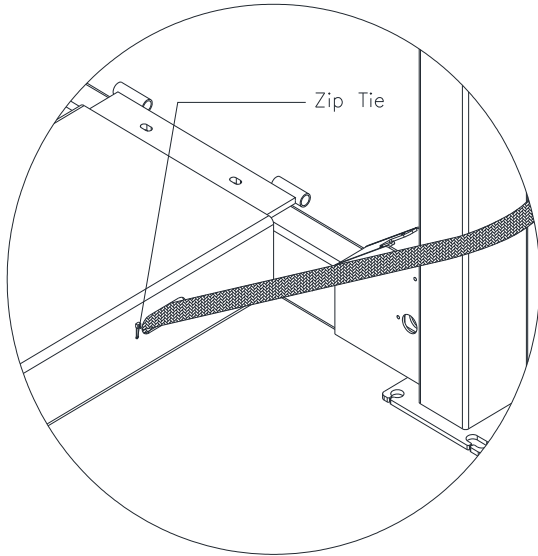
AIR HOSE ROUTING

1. Locate Air Valve Bracket and assemble components supplied as shown in **Detail B**.
2. Rout $3/8$ " plastic air hose with hydraulic hose in cloth sheath to underside of power runway.



3. Use provided zip ties to secure $3/8$ " air hose to the power runway as shown in **Detail C**.

Air Line Accessory Kit
Installation & Operation Supplement



Detail C – Hose Routing

4. Once routed inside the runway, run along the outside wall of the runway until hose can clear hydraulic cylinder.
5. Secure other end with zip tie to runway as before.
6. Making sure to clear cylinder then route along inside wall of runway and connect to Tee, see **Fig 2**.

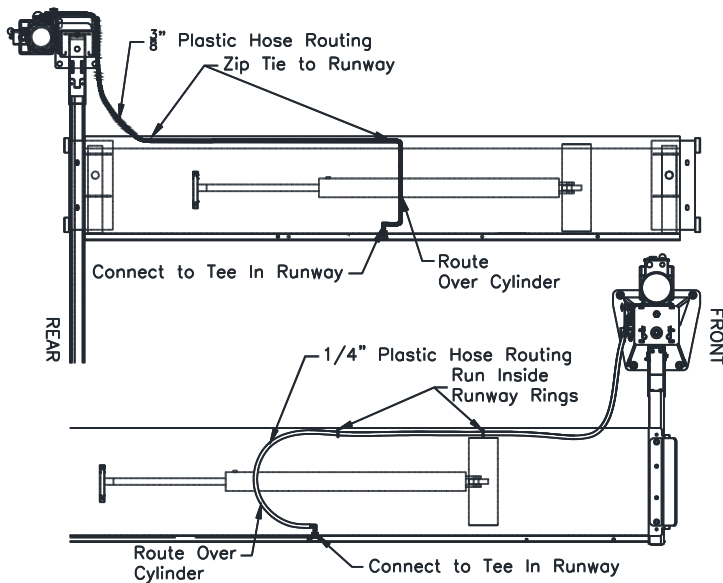
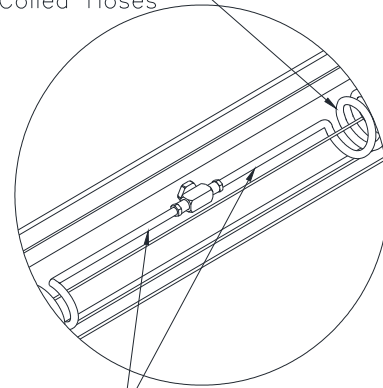


Fig. 2 – Hose Routing

COILED HOSE INSTALLATION

1. Attach the coiled hose to the Tee in the runway and to the jacks.
 - a. Connect the short pigtail with the swivel end to the tee. **Detail A.**
 - b. Run $\text{Ø}1/8$ " steel cable through the coiled hoses and into both cross beams, attaching with $1/4$ " washer and lock nut. Cut excess thread flush. **Detail D.**

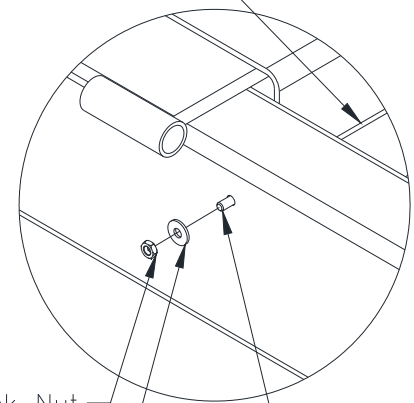
Run $1/8$ " Cable Through Both Coiled Hoses



Short Pigtail

Detail A – Hose Routing

$1/8$ " Cable



$1/4$ "-20 Lock Nut

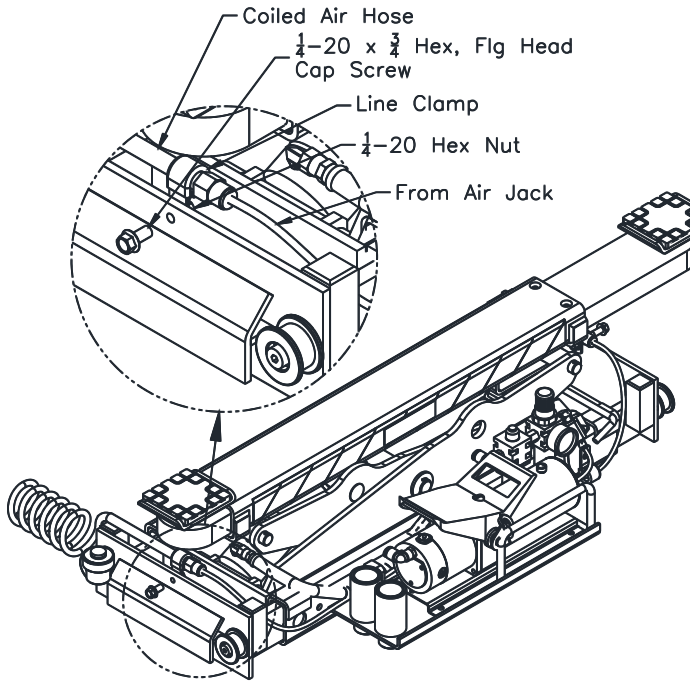
$1/4$ " Flat Washer

Cut Excess Threaded Rod Flush

Detail D – Cable End Assembly

Air Line Accessory Kit
Installation & Operation Supplement

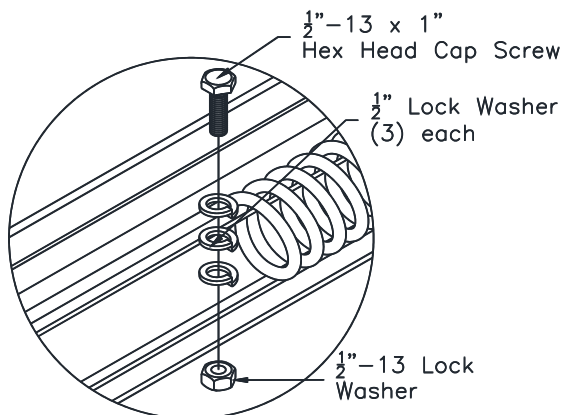
- Use line clamp and provided hardware to secure the coiled hose to the jack as shown in **Detail E**.



Detail E – Jack Air Line Routing

BOLT STOP INSTALLATION

- Locate \varnothing 1/2" holes on the power runway located at 50³/₄" and 105 ³/₈" from the front of the runway as show in **Fig 1**.
- Move the jacks to the ends of the runways and install 1/2-13 bolts with no more then (3) 1/2" lock washers as shown in **Detail F**.



Detail F – Jack Stops

COILED HOSE TO JACK CONNECTION

- When coiled hoses are attached to the jacks with the clamps provided, cut the provided 1/4" OD plastic tubing into lengths shown in **Fig 3** and attach fittings by pushing onto end of tubing.
- Route hose with connections as shown in **Fig 4**. The Front Jack Valve needs to be angled vertically and the Rear Jack Valve need to be at a 45 degree. See **Fig 4**.

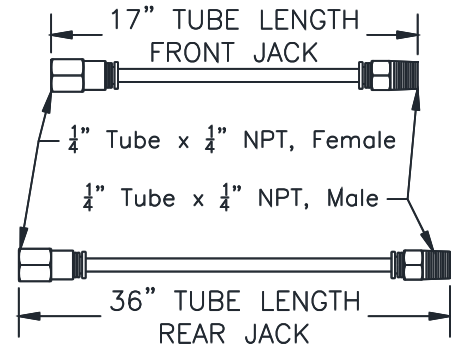


Fig. 3 – Hose Routing

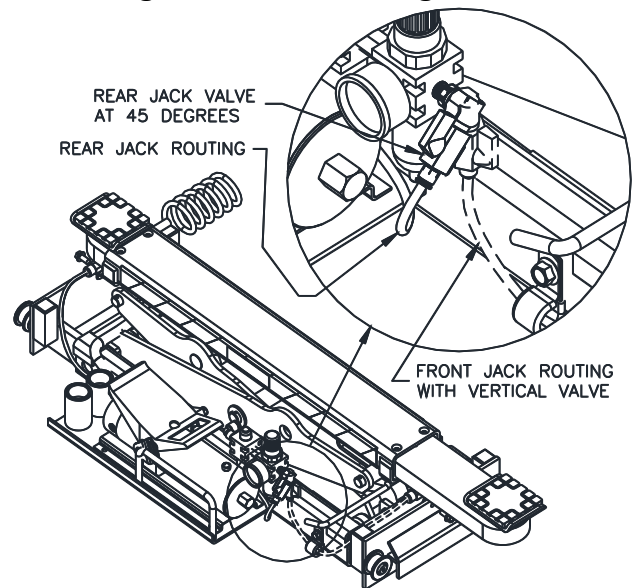
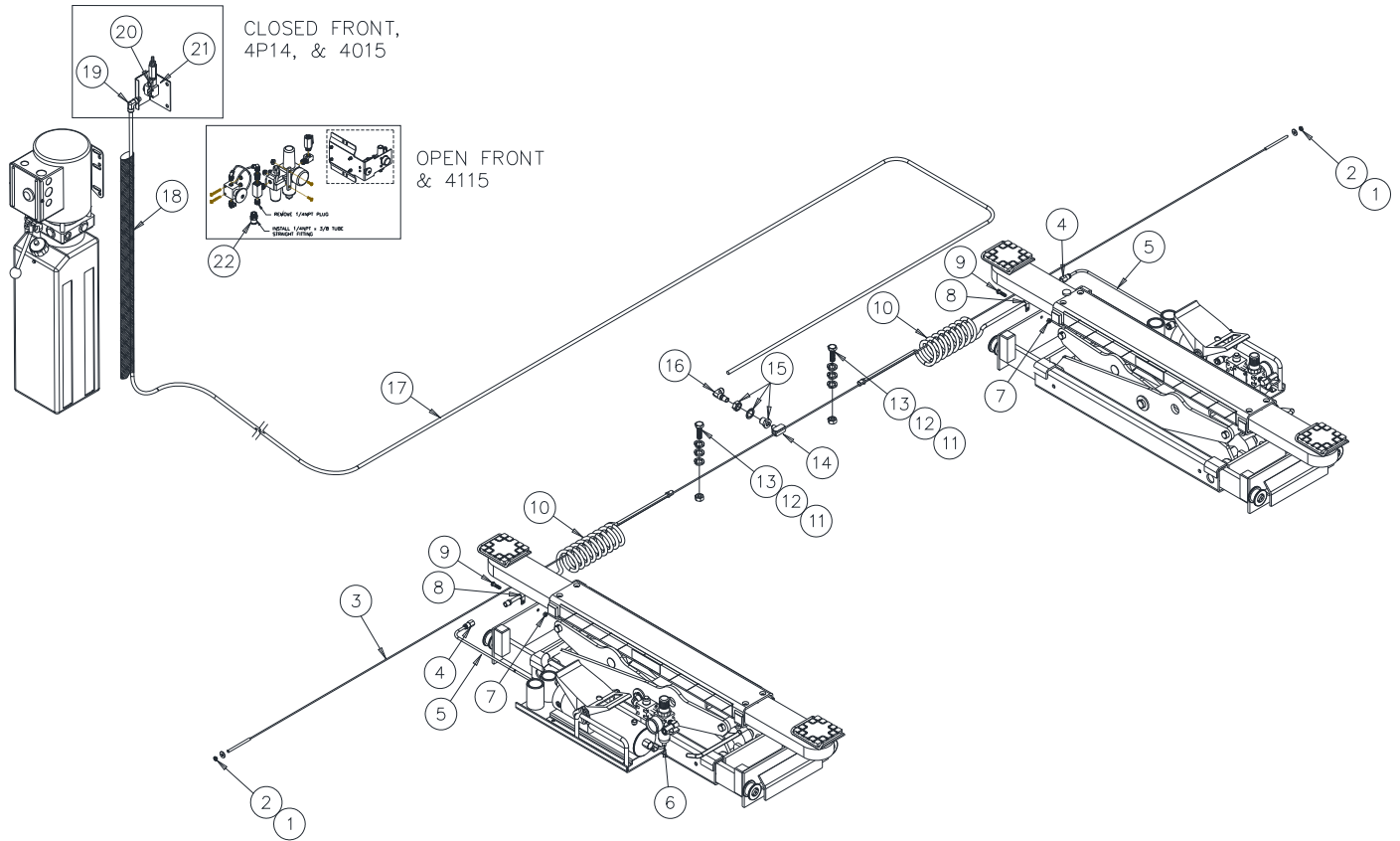


Fig. 4 – Hose Routing

Air Line Accessory Kit Installation & Operation Supplement

Parts Breakdown



ITEM #	PART #	QTY/LIFT	DESCRIPTION
1	36059	2	1/4"-20 ESNA LOCK NUT
2	31115	2	1/4" FLAT WASHER
3	40238	1	1/8" DIA. x 206 1/2" LG CABLE (40230-E ONLY)
4	40240	2	1/4" TUBE x 1/4" NPT, FEMALE CONNECTOR
5	24102	1	1/4" AIR LINE x 4' LG, PLASTIC TUBING
6	16164	2	1/4" TUBE x 1/4" NPT, MALE CONNECTOR
7	40085	2	1/4"-20 HEX NUT
8	31025	2	LINE CLAMP
9	A2125	2	1/4"-20 x 3/4" HEX FLANGE NUT
10	40239	2	1/4" NPT x 15ft, COILED AIR HOSE
11	16157	2	1/2"-13 x 1" LG, HHCS
12	31013	6	1/2" LOCK WASHER
13	31012	2	1/2"-13 HEX NUT
14	40236	1	1/4" NPT, MALE BRANCH TEE
15	40235	1	1/4" NPT, BULK HEAD FITTING
16	40234	1	3/8" TUBE TO 1/4" NPT, SWIVEL ELBOW
17	40233	1	3/8" O.D. x 20' LG, PLASTIC TUBING
18	40347	1	HOSE SLEEVE
19	40232	1	3/8" TUBE TO 1/8" NPT, SWIVEL ELBOW
20	40231	1	1/8" NPT, STREET ELBOW
21	37014	1	BUTTON VALVE/ BRACKET ASSEMBLY
22	CL6-0710	1	1/4 NPT x 1/4 TUBE STRAIGHT FITTING