



Original

# Installation And Service Manual

## FOUR POST PARKING LIFT

### MODEL: 409-DP 409-DPX

#### **Cargo Claims**

If there is any missing or damaged product during transportation, the buyer must notate on the shipping paperwork or refuse the shipment. NOTATE ALL DAMAGE OR REFUSE DAMAGED SHIPMENT!




#### DANGER

Read the entire contents of this manual before using this product. Failure to follow instructions and safety precautions could result in serious injury or even death. Make sure all other operators also read this manual. Keep this manual near the machine so that it can be seen by all users. By proceeding with installation and operation, you agree that you are fully understand the contents of this manual and take full responsibility for the use of the product.

# CONTENTS

PROFILE .....	1
SAFETY INSTRUCTION.....	3
I. PRODUCT FEATURES AND SPECIFICATIONS.....	5
II. INSTALLATION REQUIREMENT.....	7
III. INSTALLATION STEPS.....	9
IV. EXPLODED VIEW.....	37
V. TEST RUN.....	43
VI. OPERATION INSTRUCTIONS.....	44
VII. MAINTENANCE SCHEDULE.....	45
VIII. TROUBLE SHOOTING.....	46
IX. CAR LIFT SAFETY TIPS.....	47
X. LIFT DISPOSAL.....	47

## **Explanation of the safety warning symbols used in this manual**

-  **DANGER** Risk of death or injury
-  **WARNING** Dangerous or unsafe practices that may result in death or injury
-  **CAUTION** Dangerous or unsafe practices that may result in personal injury, product damage or property damage
- ATTENTION** Conditions that may result in damage to products or property

## **PROFILE**

This instruction manual is specially prepared for you. Your new lift is the product of over a decade of continuous research, testing and development and is the most technologically advanced lift on the market today.

**Please make sure to read through this manual before operating the lift.**

Record the information on the nameplate label here:

Model No.: \_\_\_\_\_

Serial No.: \_\_\_\_\_

Manufacturer date: \_\_\_\_\_

## **WARRANTY**

The warranty period for the steel structure part of new car lift is 5 years, hydraulic components, bronze bushings, sliders and plastic parts are under warranty for 2 years, and electrical components and sync cable, lock release cable warranty for 1 year.

Rubber pads are without warranty. During the warranty period, the manufacturer will repair or replace the defective parts free of charge including shipping costs.

This warranty does not cover damage caused by normal wear and tear, improper use, damage in transit, or damage caused by lack of maintenance.

This warranty is unique and supersedes what is expressed and implied in all other warranties. The manufacturer shall not be liable for any particular, indirect or accidental damage resulting in breach of or delay in the execution of the warranty. The manufacturer reserves the right to design and improve the product and has no obligation to make notice of the changes in advance.

The product warranty based on the above clause is based on the model number and serial number of the equipment. This information must be provided in conjunction with all warranty information at the time of service and warranty.

# SAFETY WARNING LABEL




Fig. 1

## **SAFETY INSTRUCTION**

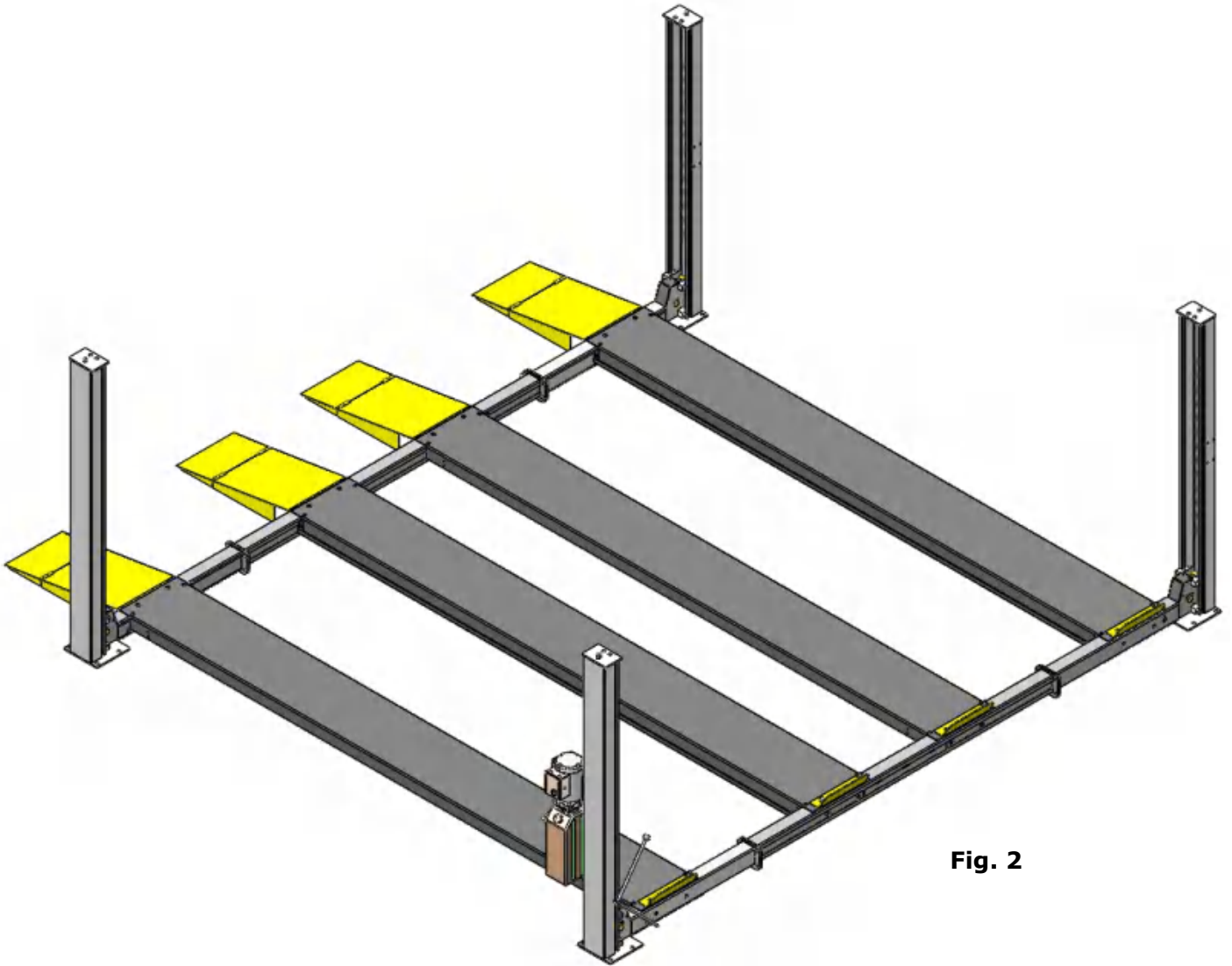
In order to properly maintain your product and ensure operator safety, it is the responsibility of the product owner to read and follow these instructions!

1. Ensure product installation complies with all applicable local regulations and rules, such as Occupational Safety and Health Administration regulations and electrical codes.
2. Ensure that all operators are properly trained, know how to operate the unit safely, and are properly supervised.
3. Do not operate the product until you are sure all parts are in place and operating correctly.
4. Keep your hands and feet away from the machine. Keep hands and feet away from any moving parts. Keep your feet away from the lift as it descends to avoid pressing on pointed objects.
5. Keep the work area clean. A cluttered workspace can lead to injuries.
6. The machine is only approved for indoor installation and use. Outdoor installation is prohibited.
7. Only trained operators are allowed to handle the lift machine. All untrained persons must stay away from the workplace. Never allow untrained persons to handle or operate the machine.
8. Use the lift properly. Use the lift in the correct way.
9. Warning! Keep no one under the lift when lifting the car.
10. If the vehicle is at risk of falling, keep no one around the lift.
11. Before preparing to approach or service the vehicle, ensure that the safety device is in effect.
12. Dress appropriately when operating machines, and consider wearing non-slip steel-soled shoes for added safety..
13. Beware of electric shock. In order to protect the operator from electric shock, the lift in use must be grounded. Do not connect the green wire to the terminal. This is the ground wire.

14. Danger! The power supply used in this type of lift has high voltage. Please disconnect the power supply before any circuit repair. Unplug in case the power supply is accidentally switched on during maintenance.
15. Warning! There is a risk of explosion. There are parts in the equipment that produce arc light and spark. Do not be exposed to easy gas. This machine should not be placed in the lounge or basement.
16. Maintain with care. Keep the machine clean for better and safer operation. Perform proper lubrication and maintenance procedures according to the manual. Keep handles or buttons clean, dry, and free of oil.
17. Stay alert. Use common sense to observe what you are doing and stay alert.
18. Check for damaged parts. Check for adjustments to moving parts, damage to parts, or anything that may affect their operation. Do not use the machine if the parts are damaged.
19. Do not remove relevant safety parts from the machine. Do not use a lift if it is damaged or missing.
20. Operate the lift only temperature from 41<sup>0</sup>F to 104<sup>0</sup>F (5<sup>0</sup>C to 40<sup>0</sup>C).

 **DANGER** Be very careful when installing, operating, maintaining or repairing this equipment. Failure to comply may result in property damage, product damage, injury or (in very rare cases) death. Ensure that only authorized personnel operate the equipment. All repairs must be carried out by an authorized technician. Do not modify the machine, this voids the warranty and increases the probability of personal injury or property damage. Ensure to read and follow this instructions on the label.

## I. PRODUCT FEATURES AND SPECIFICATIONS



**Fig. 2**

### **Model 409-DP, 409-DPX**

- Cable transmission, driven by single hydraulic cylinder
- Single point manual safety release, more convenient and reliable for decent operation.
- Four mechanical locking devices, include primary mechanical safety lock with secondly cable-brake safety lock , ensure the vehicle safety.
- Double parking design, allows to park 4 vehicles maximum. Max single vehicle weight parked on the platform is 6000lbs .
- Non-skid diamond platforms and adjustable safety lock ladders.

## Dimension

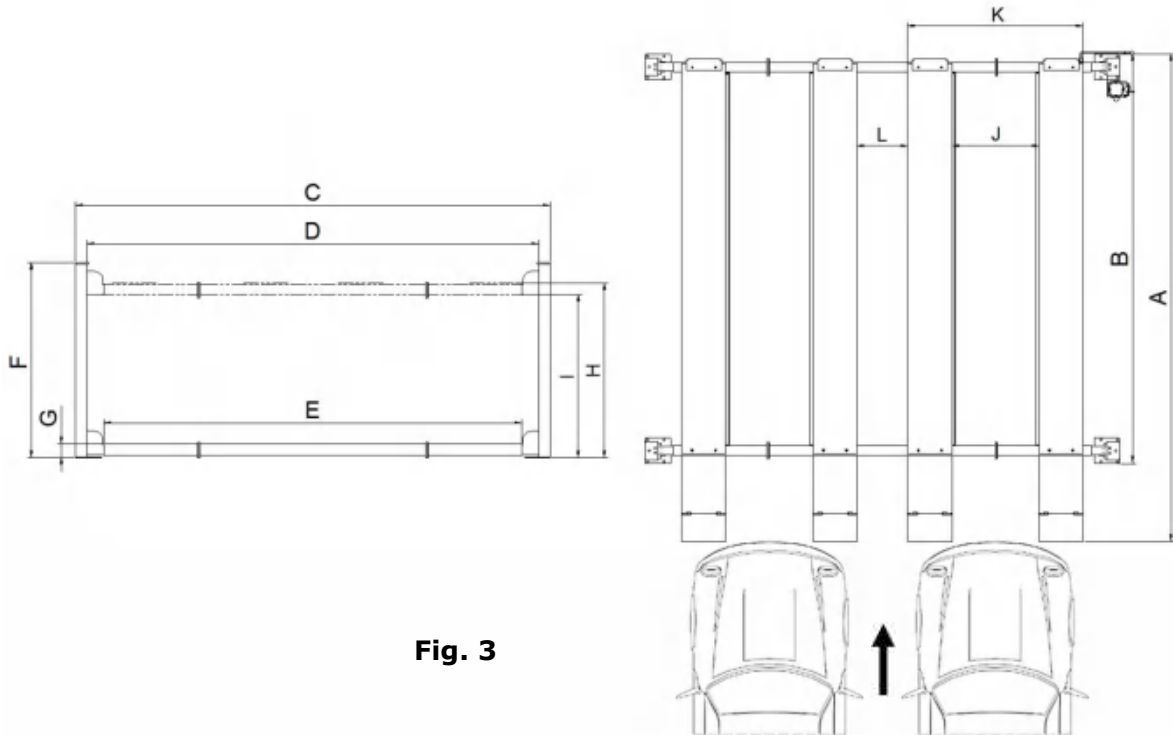


Fig. 3

## SPECIFICATIONS

Car-in Direction

Model	Lifting Capacity	Lifting Time	A	B	C	D	E	F	G
			Overall Length (inc. Ramps)	Overall Length ( Not Inc. Ramps)	Overall Width	Width Between Columns	Drive Through Width	Overall Height	Minimum Height
409-DP	9,000lbs	47S	211"	177 1/2"	198 7/16"	188 7/8"	177 3/4"	82 7/8"	6 1/8"
409-DPX	9,000lbs	57S	238 9/16"	205 1/16"	198 7/16"	188 7/8"	177 3/4"	96 5/8"	6 1/8"

Model	H		I		J	K	L	Motor
	Lifting Height	Max. lock height to top of runway	Max. height underneath runway	Max. lock height underneath runway	Width between runway	Overall width of single parking unit	Width Between two parking units	
409-DP	73 11/16"	70 15/16"	69 3/4"	67"	37"	74 7/16"	21 5/8"	2.0HP/220V Single Phase
409-DPX	87 11/16"	84 15/16"	83 3/4"	81"	37"	74 7/16"	21 5/8"	

**⚠ CAUTION** When driving the vehicle, stay in the middle between the columns. If you hit any part of the lift, you could damage the car or lift.



## II. INSTALLATION REQUIREMENT

### A.TOOLS REQUIRED

- ✓ Rotary Hammer Drill ( $\Phi 19$ )



- ✓ Hammer



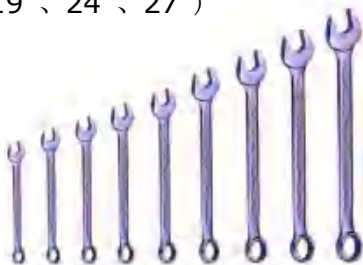
- ✓ Level Bar



- ✓ Adjustable Spanner (12")



- ✓ Wrench set: (10#, 13#, 14#, 15#, 17#, 19#, 24#, 27#)



- ✓ Ratchet Spanner With Socket (28#)



- ✓ Carpenter's Chalk



- ✓ Screw Sets



- ✓ Tape Measure (7.5m)



- ✓ Pliers



- ✓ Lock Wrench



- ✓ Socket Head Wrench (3#, 5#, 8#)



Fig. 4

## **B. Equipment storage and installation requirements.**

- 1 . Store the equipment in a dry, non-moldy, non-flammable environment.
- 2 . The lift is generally approved for indoor installation and use. If need outdoor installation, the optional motor protect cover is required. (Kits No.: 40810)
- 3 . When installing the device, take safety precautions according to the instructions to avoid device damage.
- 4 . During installation, all parts should be fastened to ensure the stability and smooth operation of the machine.
- 5 . After installation, the whole machine should be checked to make sure that every component is working properly.

## **C. The equipment should be unloaded and transferred by forklift.**



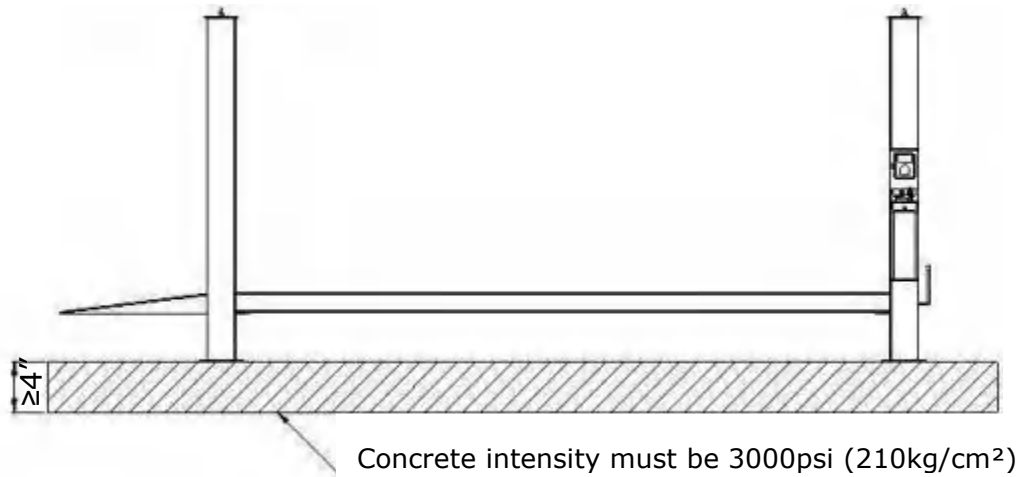
**Fig.5**

## **D. SPECIFICATIONS OF CONCRETE (See Fig. 7)**

**Specifications of concrete must be adhered to the specification as following.**

**Failure to do so may result in lift and/or vehicle falling.**

1. Concrete must be thickness 4" minimum and without reinforcing steel bars, and must be totally dry before lift installation.
2. Concrete must be in good condition and must be of test strength 3000psi (210kg/cm<sup>2</sup>) minimum. Solidify at least 15 days.
3. The installation ground must be smooth and level without cracks.



**Fig. 6**

## **E. POWER SUPPLY**

1. You are required to use a licensed and qualified electrician for the installation process.
2. The power supply must be 220VAC single phase, with a cord larger than 3.3mm<sup>2</sup>( 12AWG), and must be properly grounded.

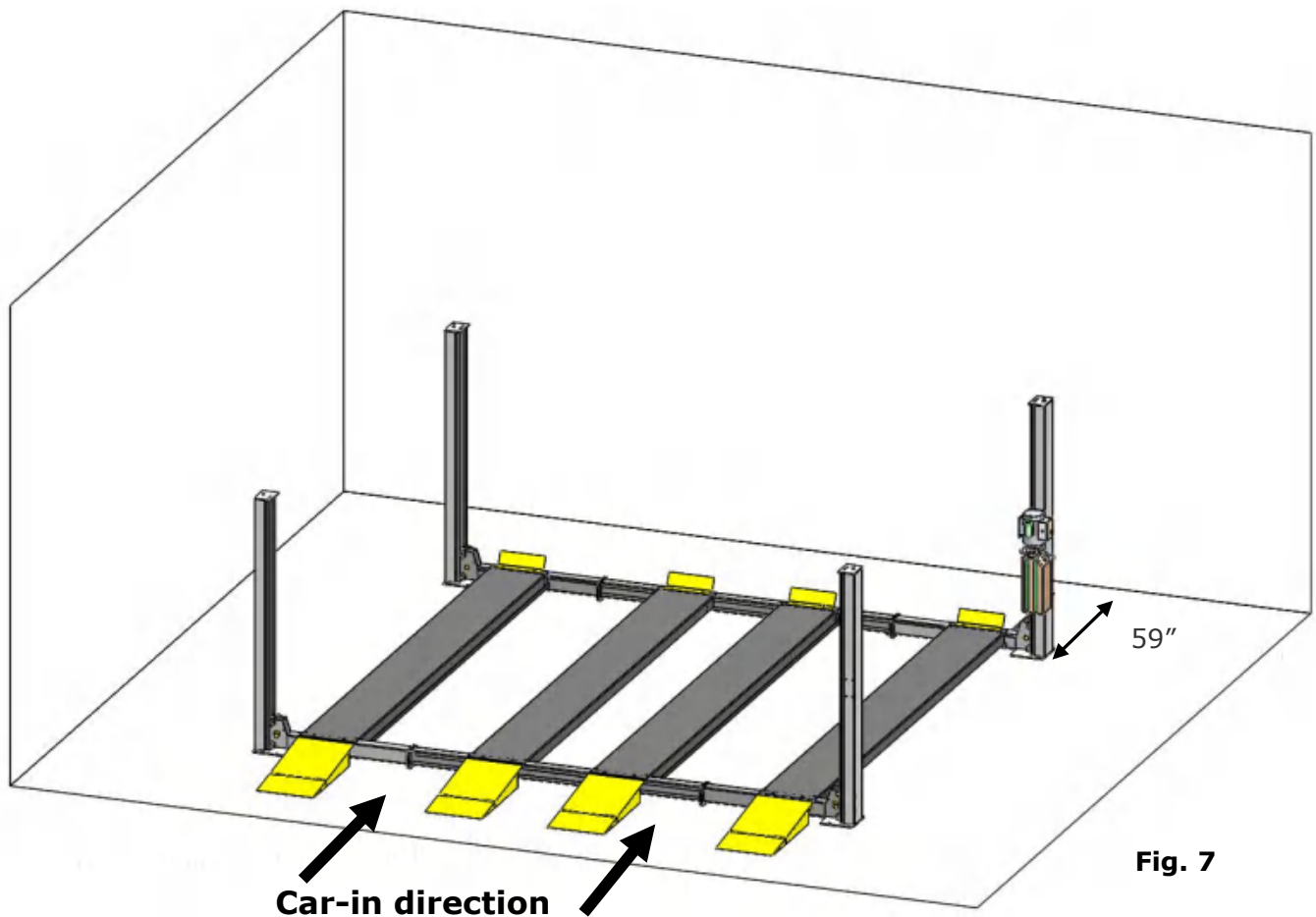
**⚠ DANGER** All electrical wiring must be performed by a licensed and certified electrician. Attempting to connect the circuit without proper certification may result in damage to the lift or electrocution, resulting in serious injury or death.

## **III. INSTALLATION STEPS**

### **A. Location of installation**

1. Installation space: Ensure there is enough space for the lift. Accurately measure the front, back, side and top mounting dimensions and refer to the below figure data(**See Fig. 7**).
2. Overhead obstacle: Check for overhead obstacles, such as building supports, heaters, lights, wires, and low ceilings, etc..

3. Installation: The lift is only approved for indoor installation and use. If need outdoor installation, the optional motor protect cover is required. (Kits No.: 40810)
4. Floor: Install lift only on flat concrete floor. Do not install on asphalt or any other surface. The surface must be flat. Do not install if the surface slope exceeds  $3^{\circ}$ .



Lift installation and concrete construction must comply with the latest version of the National standard "Automotive Lifts - Safety Requirements for Construction, Testing and Verification". Uniform building codes of other agencies or International Building Codes (IBC) for any special regional structures must meet seismic standards.

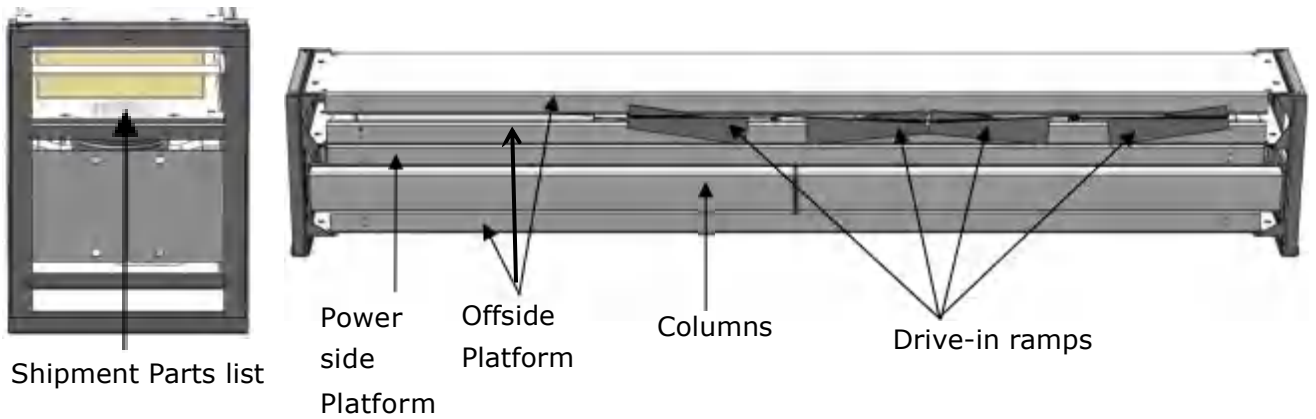
**B. Check the parts before assembly. Make sure all parts of the lift are prepared.**

1. Packaged lift and hydraulic power unit(See Fig. 8).



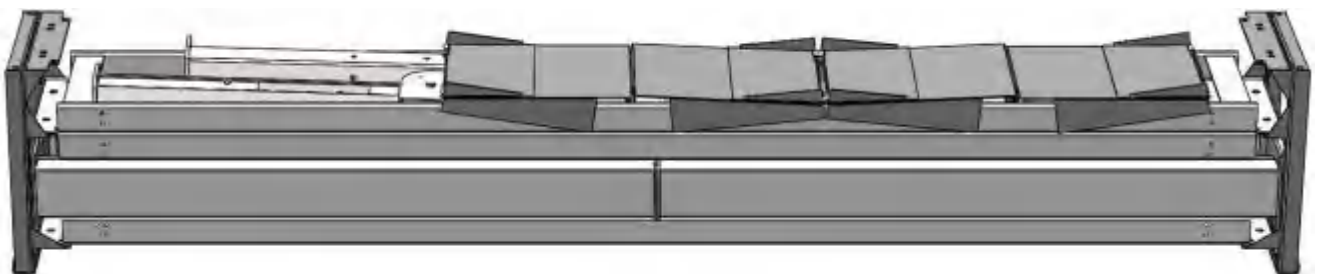
**Fig. 8**

2. Move the lift aside with a fork lift or hoist, open the package and check the parts according the shipment list. . (See Fig. 9)



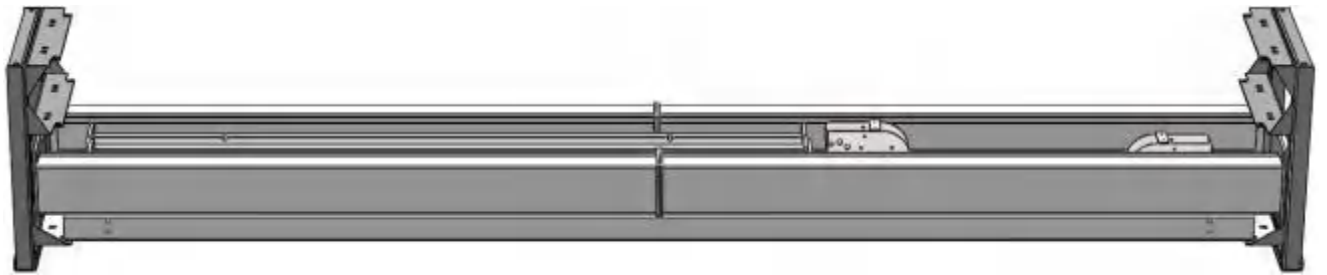
**Fig. 9**

3. Loosen the upper bolts of the package bracket, take out the offside platform on the top. (See Fig. 10)



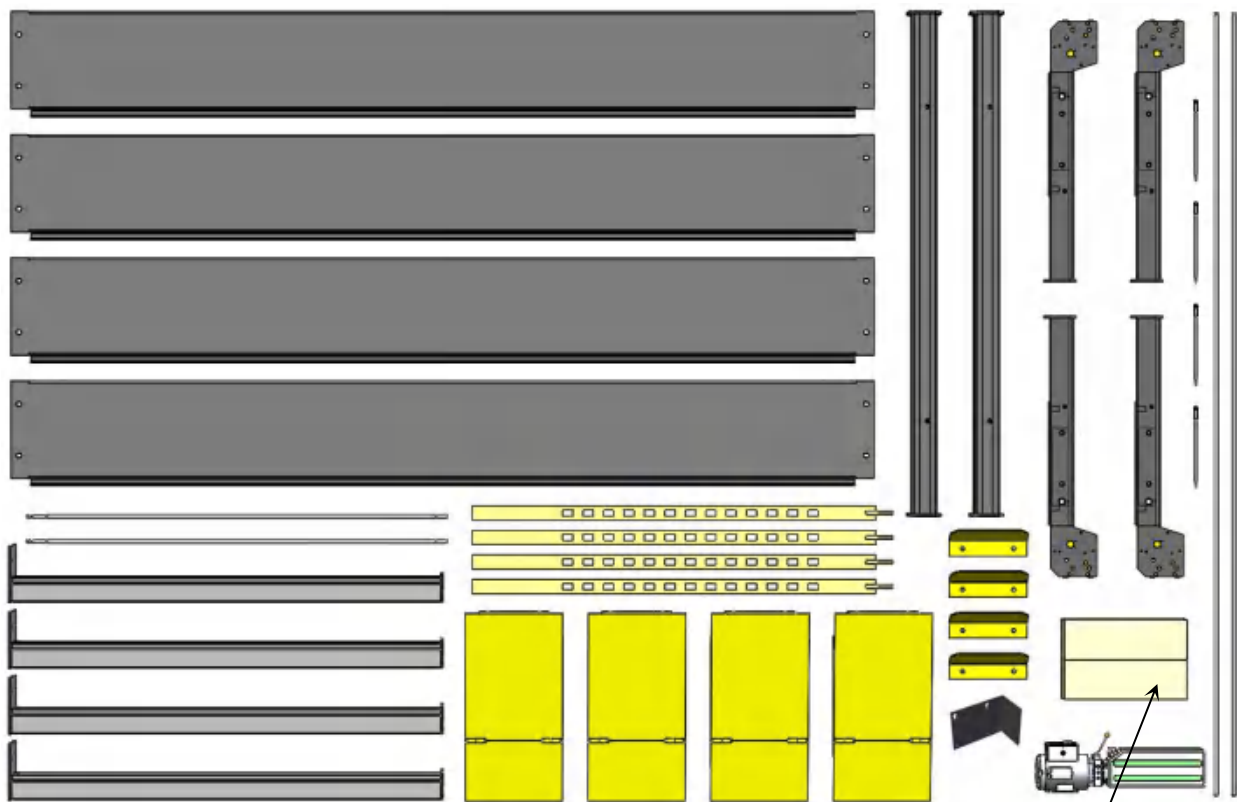
**Fig. 10**

4. Take out the parts in the offside platform, loosen the middle bolts of the package bracket, take out the offside platform/power side platform. **(See Fig. 11)**



**Fig. 11**

5. Take out the parts in the offside platform, remove the package bracket.
6. Move aside the parts and check the parts according to the parts lift. **(See 12 )**



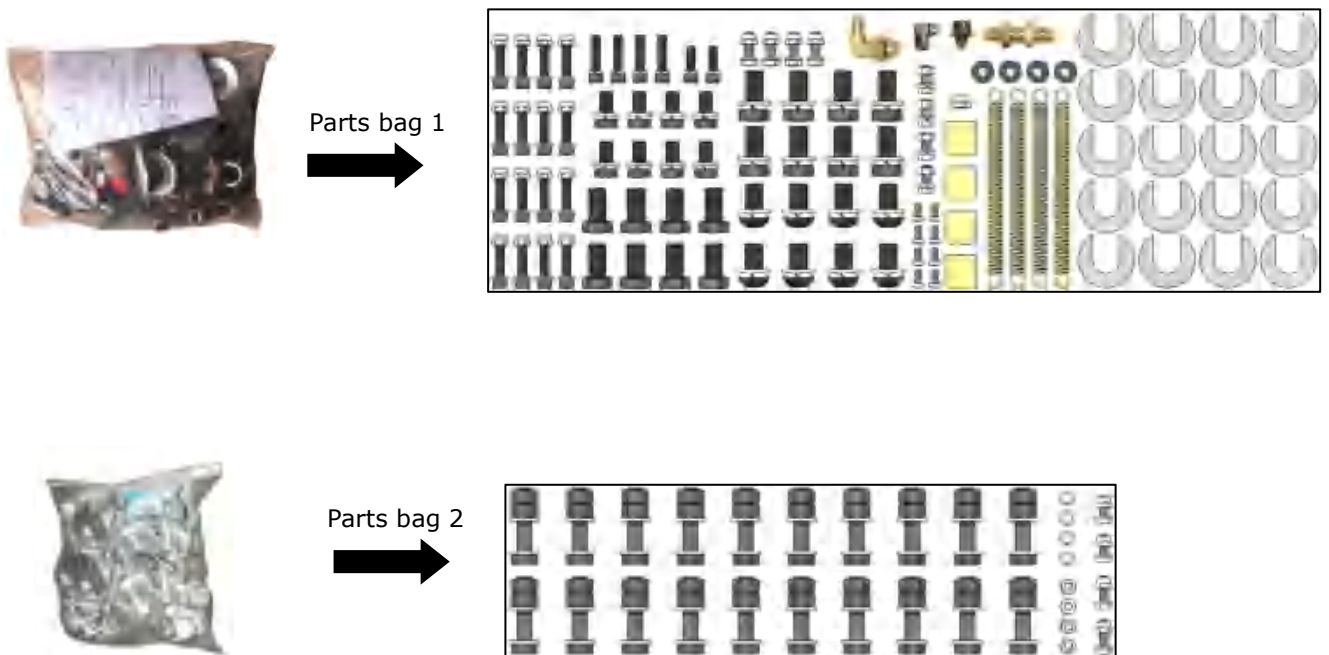
**Fig. 12**

73

7. Check the parts of the parts box according to parts box list (**See Fig. 13**).



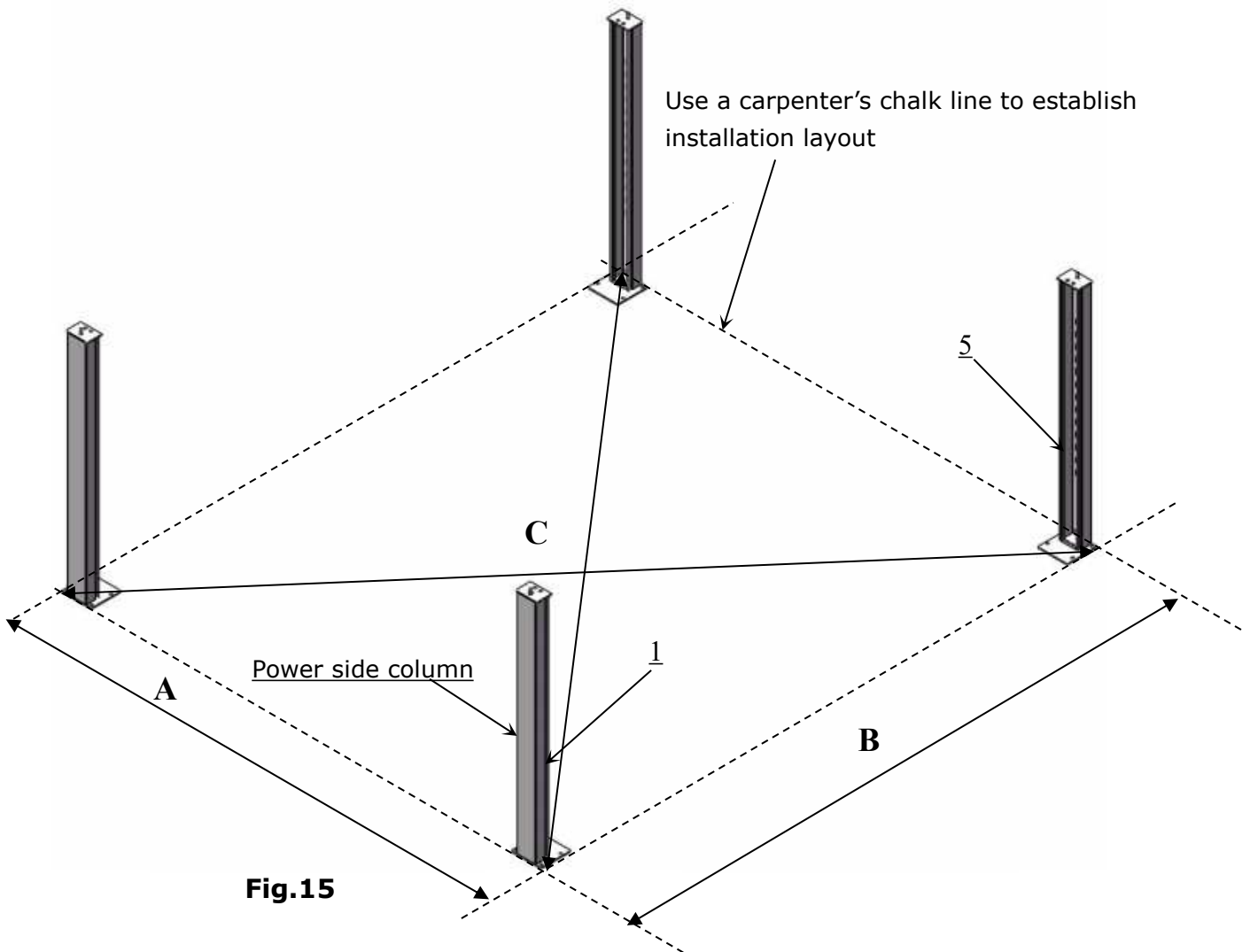
8. Check the parts of the parts bag 1&2 according to parts bag list (**See Fig. 14**)



**Fig. 14**

**C. Use a carpenter's chalk line to establish installation layout as per Fig.15. Erect the columns at the right positions.**

**Note: Reserve space front and behind the installation site.**

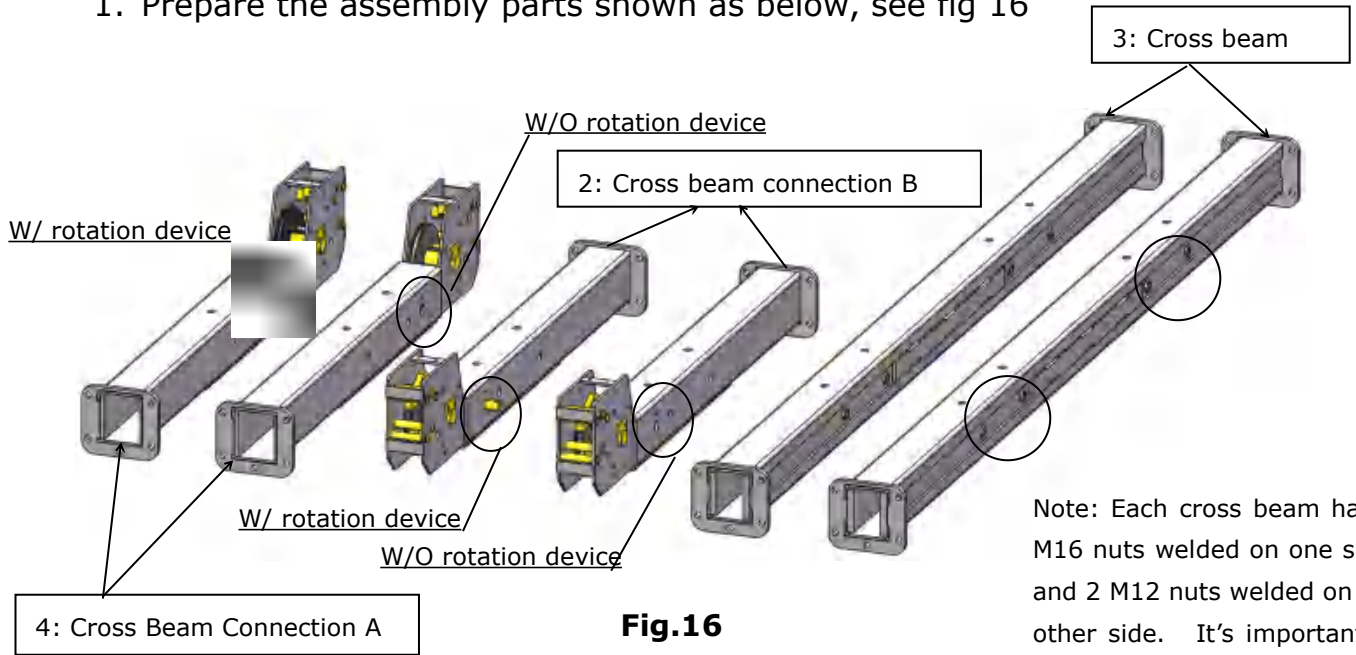


MODEL	A	B	C
409-DP	177 1/2"	198 7/16"	266 1/4")
409-DPX	205 1/16"	198 7/16"	285 3/8"

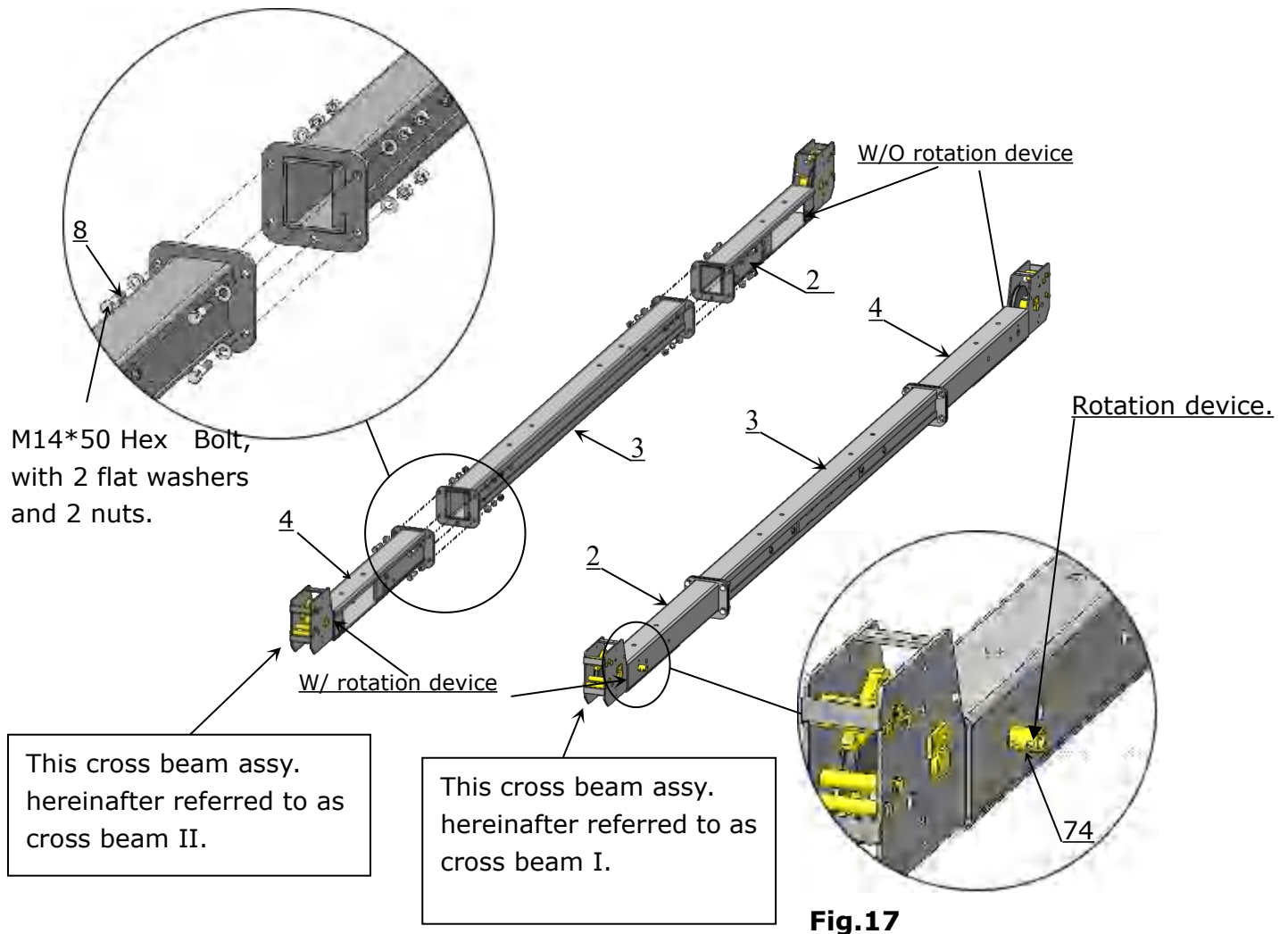


**D. Install cross beam assy.**

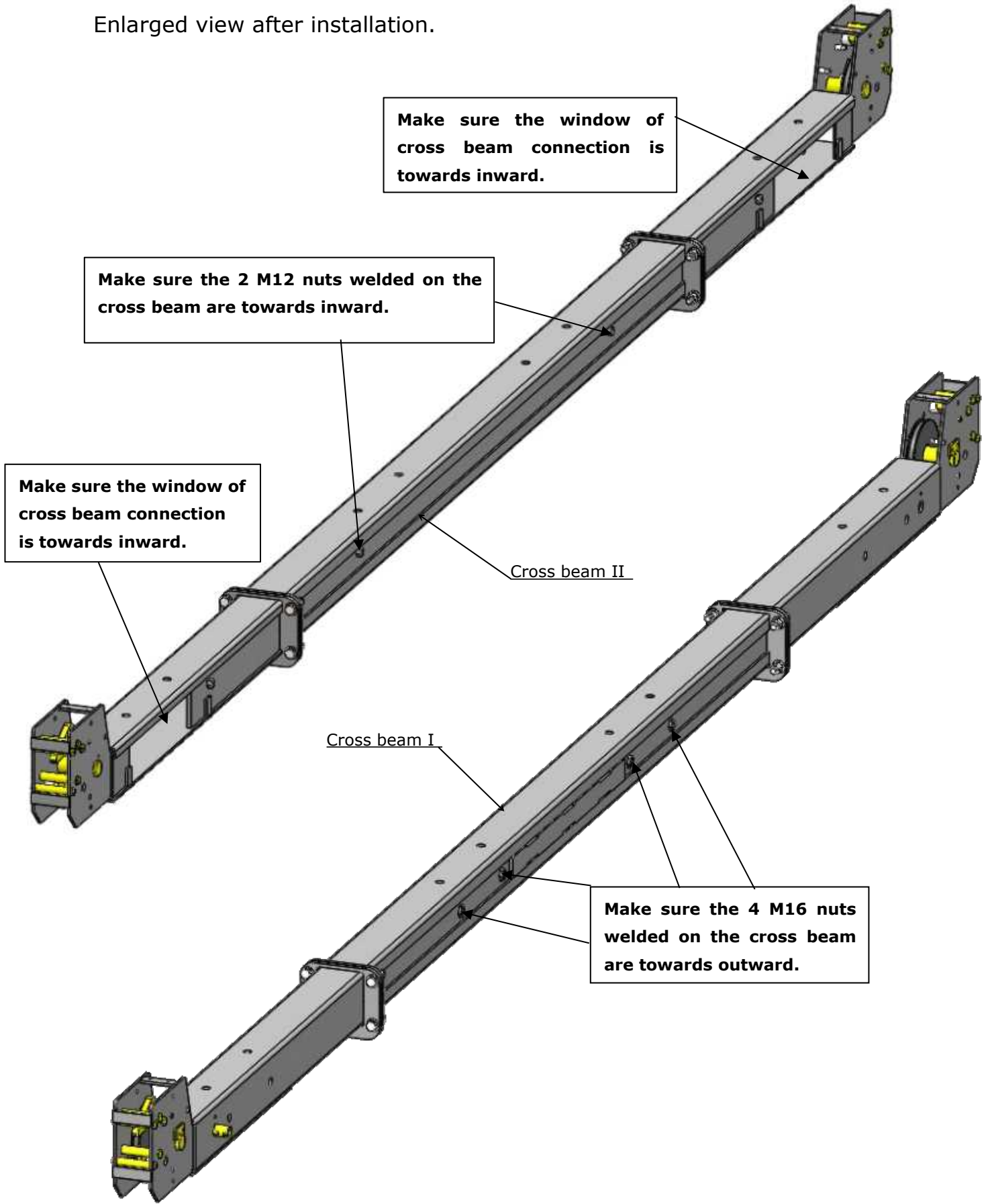
1. Prepare the assembly parts shown as below, see fig 16



2. Install cross beam assy. See fig 17.



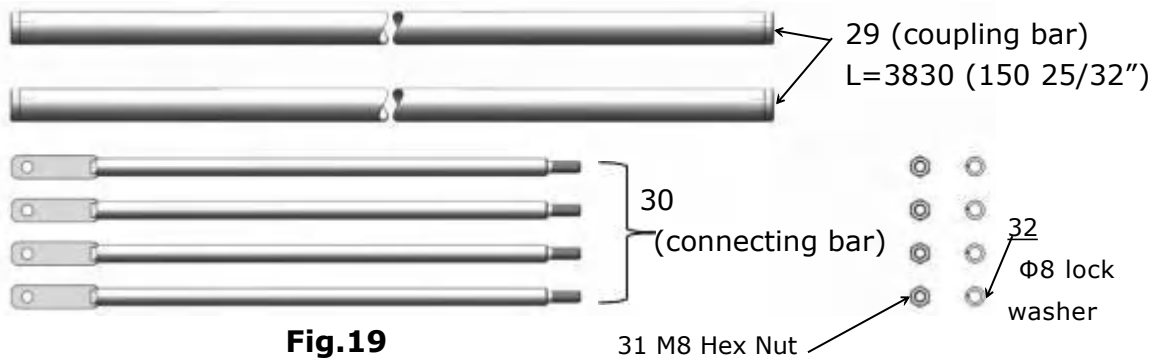
Enlarged view after installation.



**Fig.18**

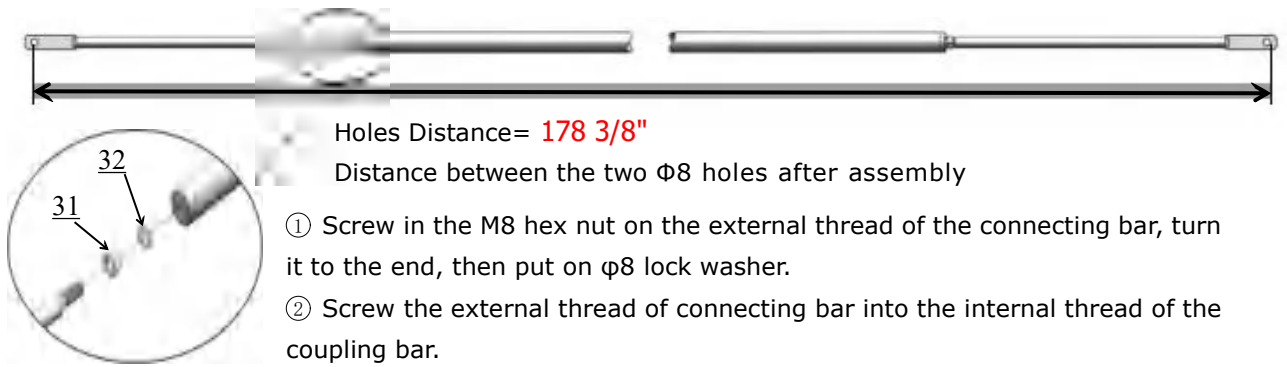
**E. Assemble safety device coupling bar assembly, and bolted with cross beam assembly .**

1. One safety device coupling bar assembly include one unit coupling bar and two units connecting bar. All parts see fig 19.



**Fig.19**

2. Assembly of coupling bar assembly. See fig 20



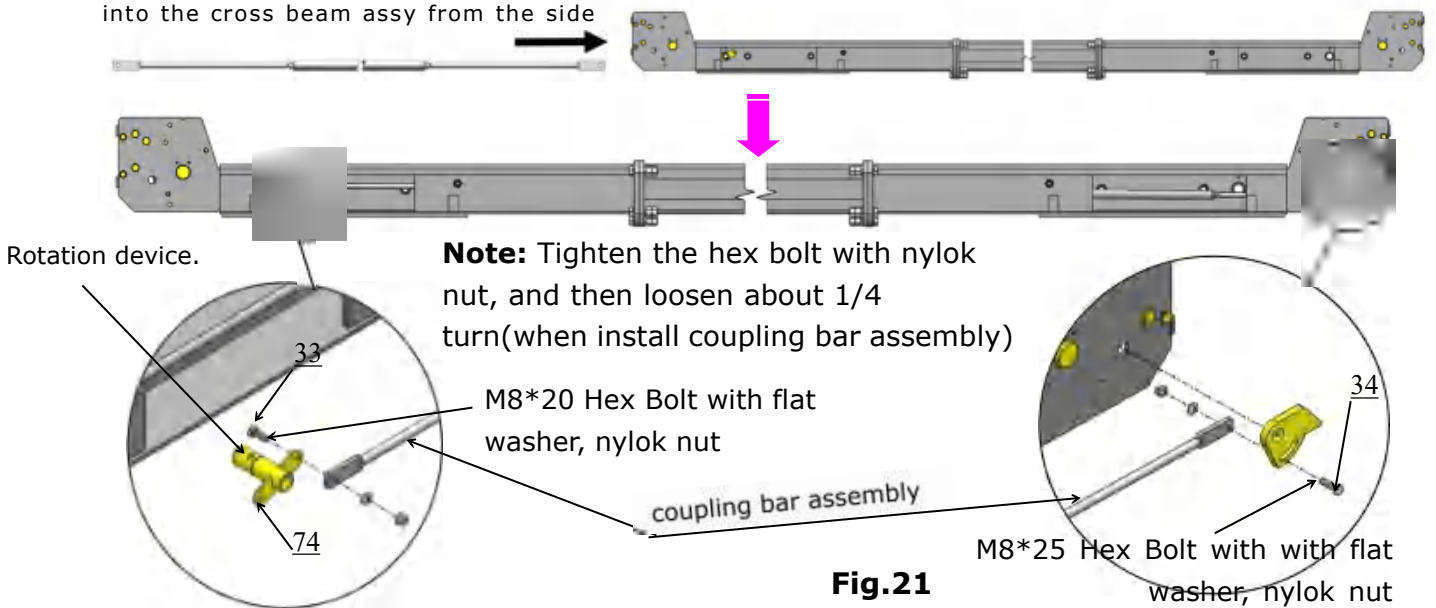
**Fig.20**

- ① Screw in the M8 hex nut on the external thread of the connecting bar, turn it to the end, then put on  $\phi 8$  lock washer.
- ② Screw the external thread of connecting bar into the internal thread of the coupling bar.
- ③ Adjust the  $\phi 8$  holes of the connecting bar at both ends to the correct distance, then tighten with two M8 nuts.

**Note: the  $\Phi 8$  holes of the connecting bar at both ends should be parallel to each other after installation.**

3. Bolt safety device coupling bar assembly with the cross beam assembly. Make sure the safety device works well. See fig 21.

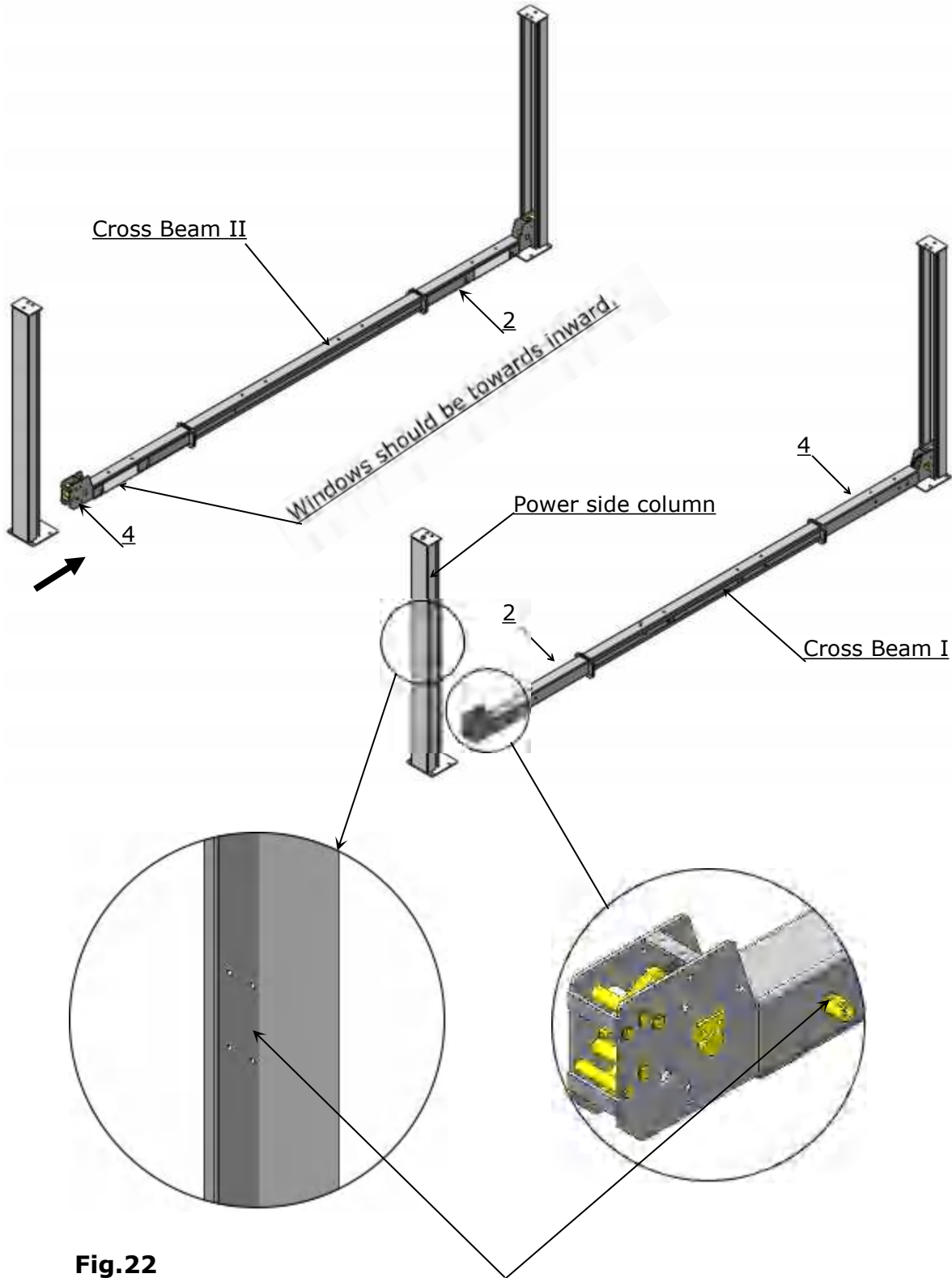
Pass the safety device coupling bar assy into the cross beam assy from the side



**Fig.21**

### F. Install cross beam assy. to columns

Noted: The windows of cross beam assy. should be towards inward, and the rotation devices of cross beams should be at the same side of power side column. See Fig.22

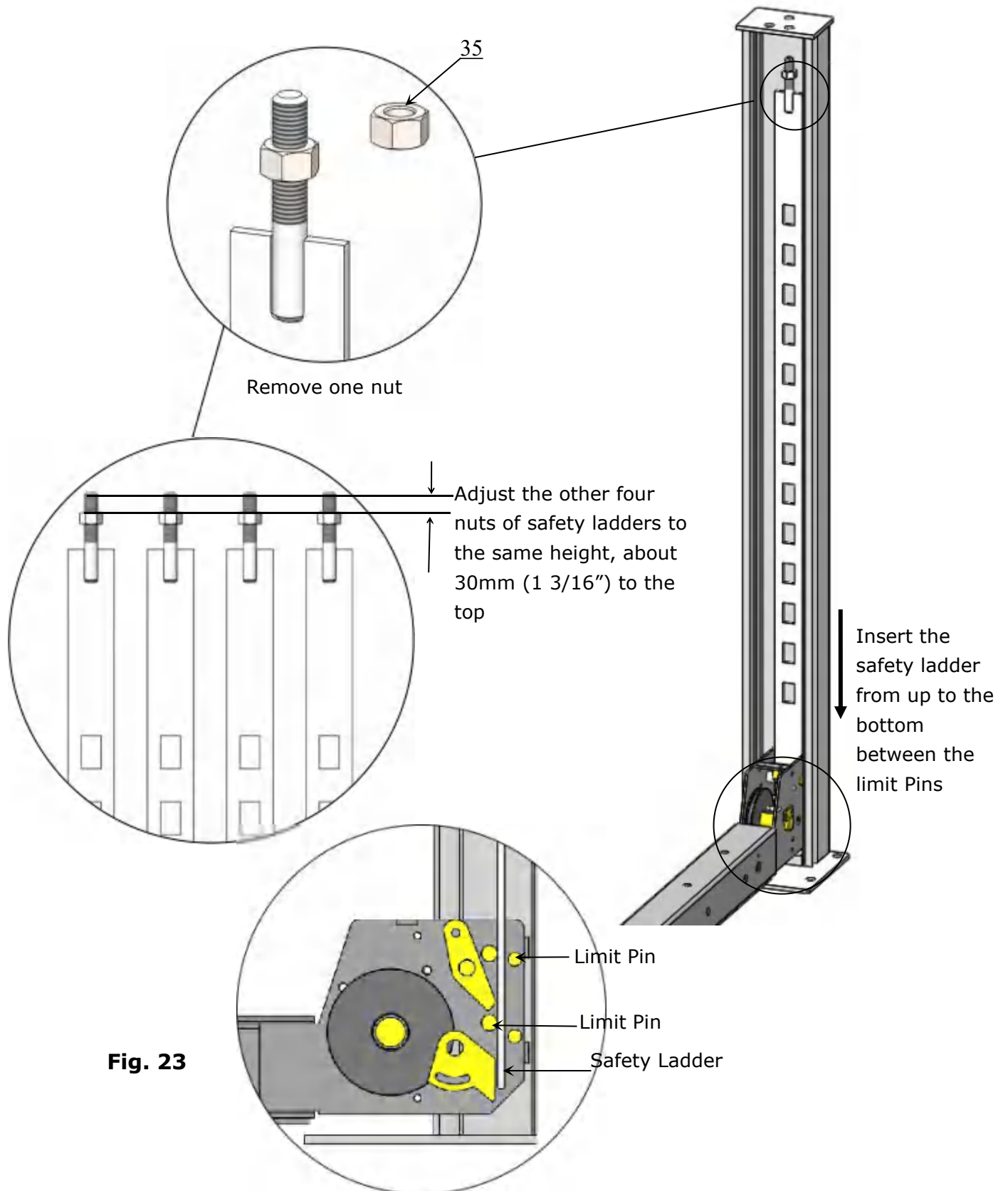


**Fig.22**

**The column with 4-Φ10 holes is power side, and rotation device of cross beam should be at the same side of power side column.**

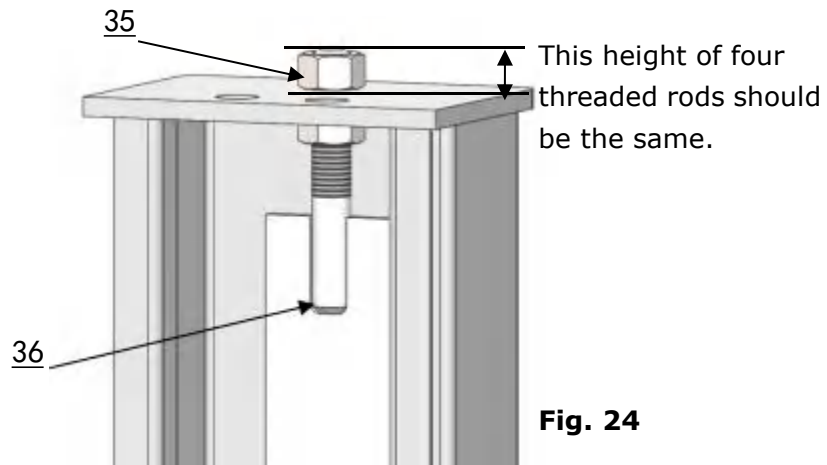
### G. Install the safety ladders.

1. Remove one nut from the safety ladders, and adjust the other nut to the proper position that all nuts of 4 safety ladders at the same height. Then install the safety ladders. **(See Fig. 23).**



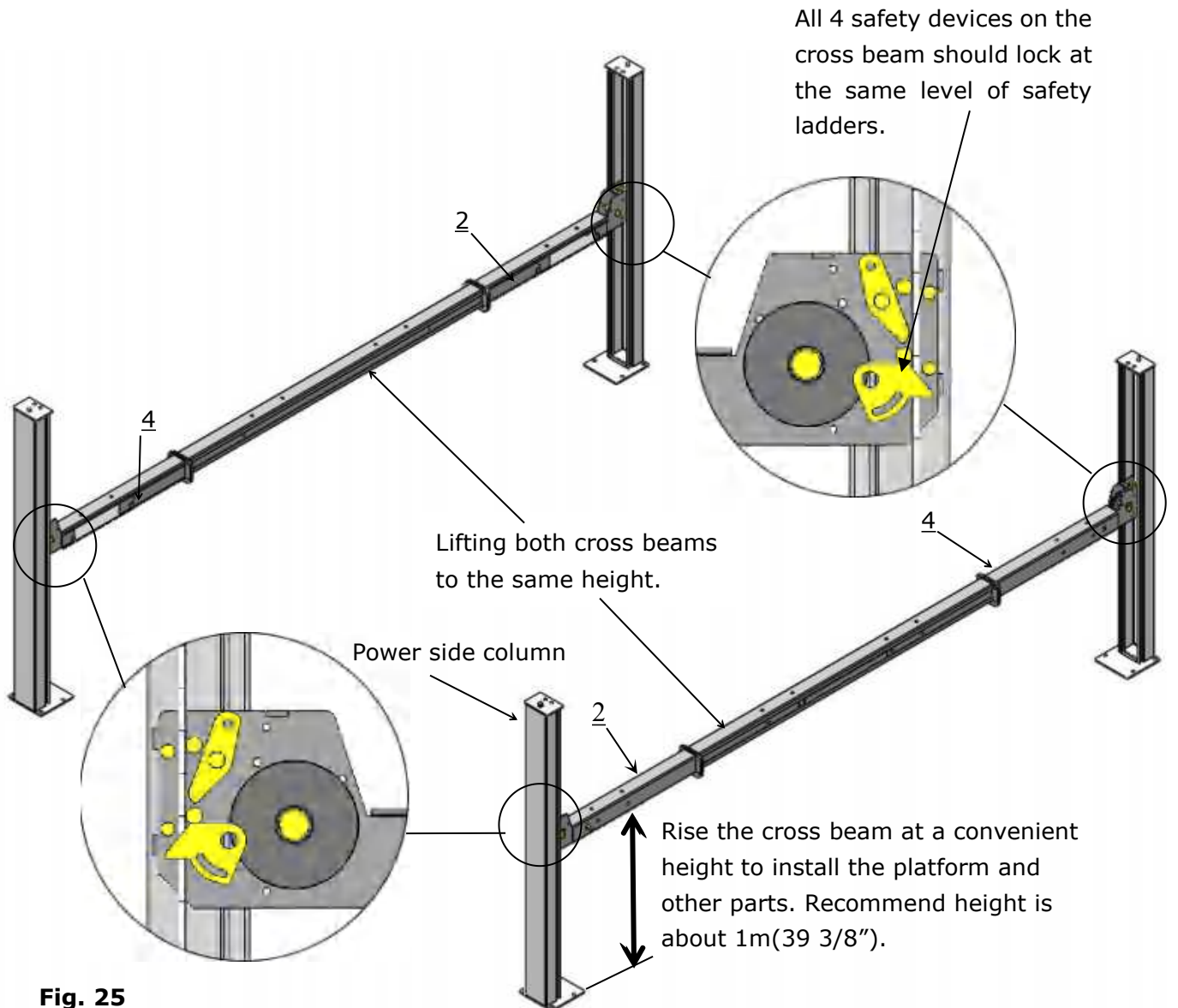
Make sure the safety ladder is inserted between the limit pins.

2. Install Safety Ladders (See Fig. 24).



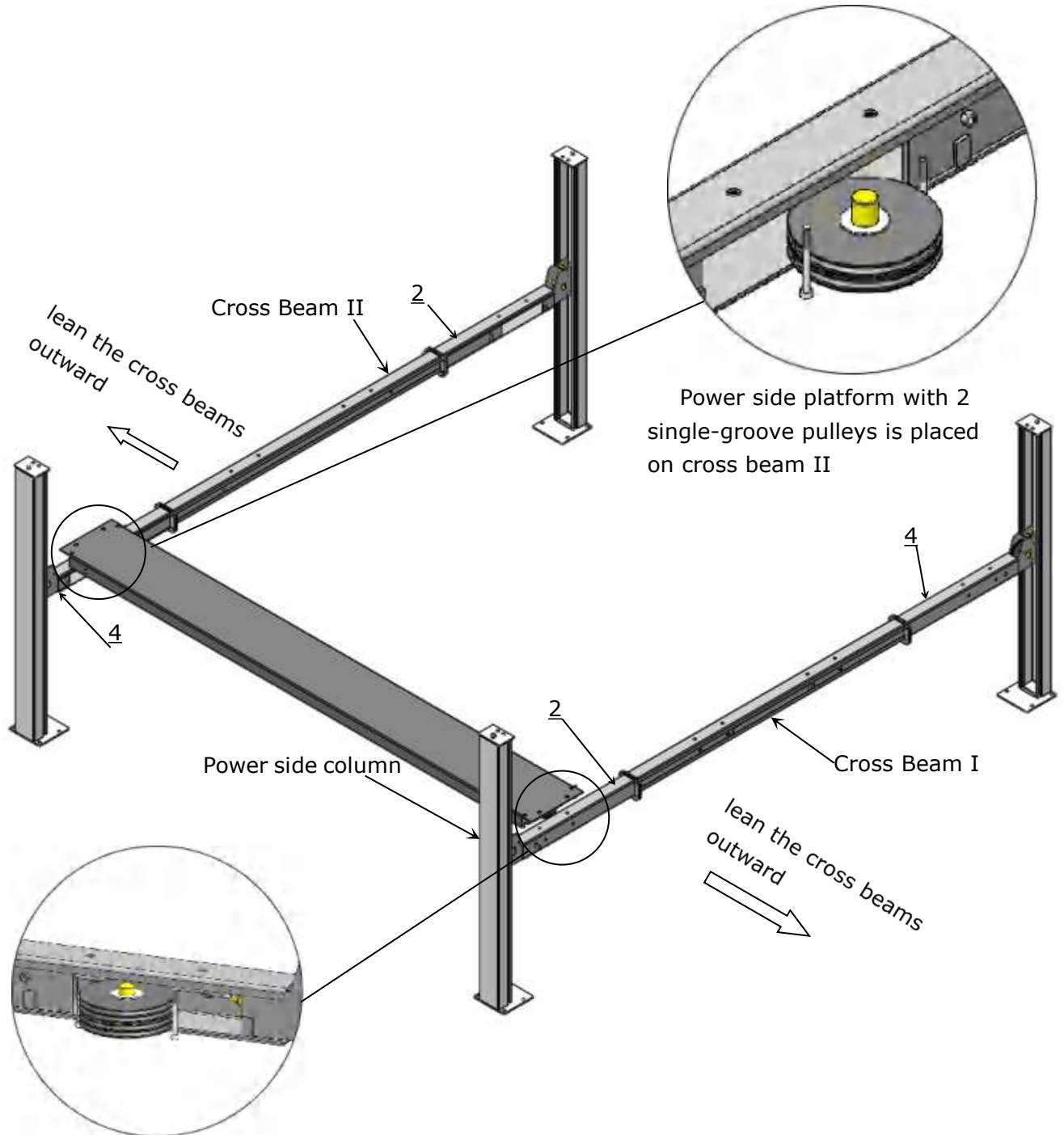
Pass the safety ladder through the hole of the top plate, then tighten the two nuts.

**H. Put the cross beams to the same height and lock at the safety ladder (See Fig. 25).**



## I. Install power side platform.

1. Install the power side platform on the cross beams closing to power side column by a fork lift or manually, lean the cross beams outward until the pulleys of platform enter into the cross beam windows (See Fig.26). Aligning holes on the power side platform and cross beam, then screw up the bolts.



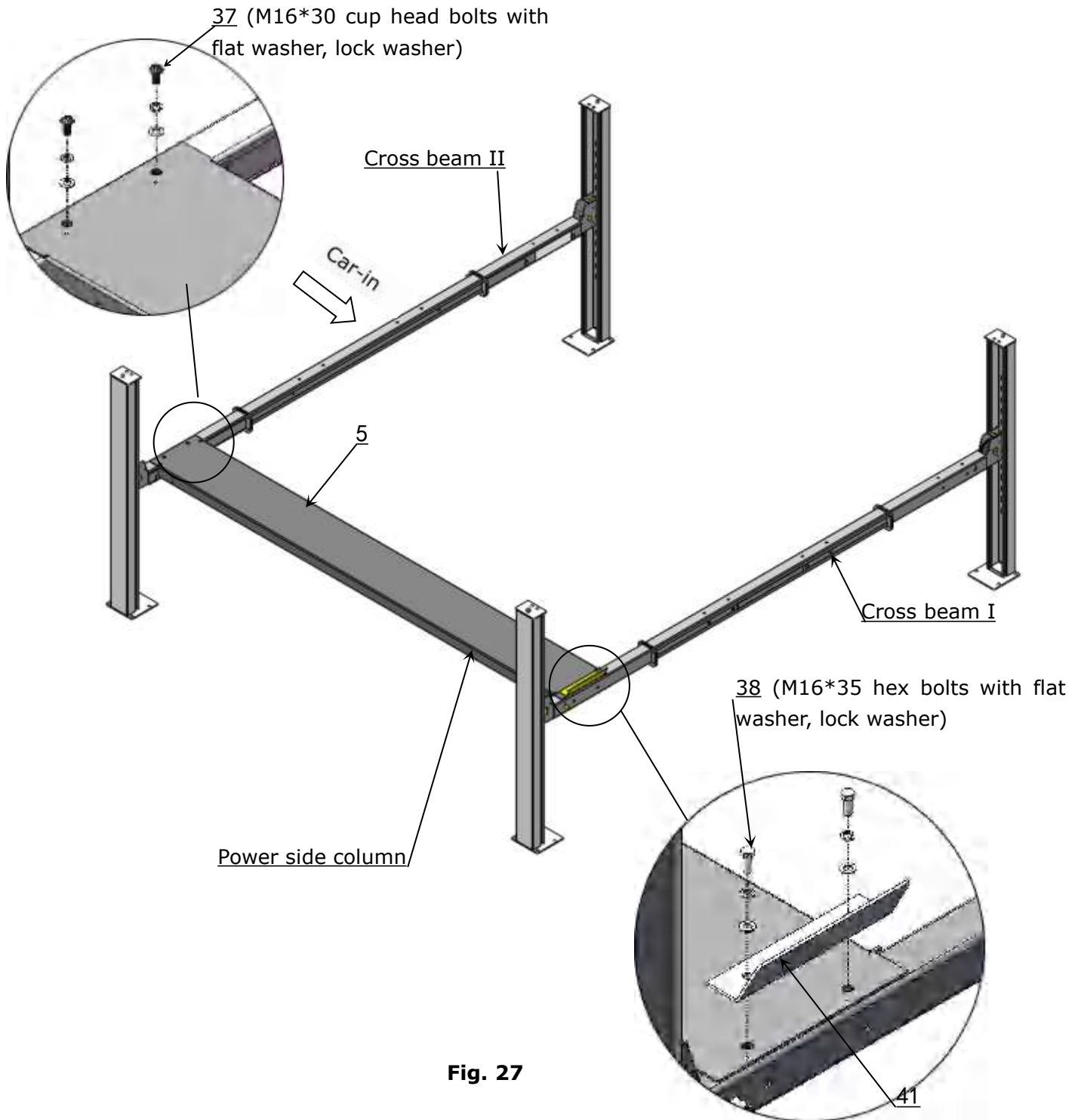
Power side platform with two 2-groove pulleys is placed on cross beam I

**Fig. 26**

2. Install connecting bolts of power side platform and cross beam.

Use the connecting bolts to connect the cross beam and platform, no need to tighten at this step.

Note: Tire stop is installed at the front direction, the bolts for it are longer than for the rear side, please pay attention to it. **(See Fig.27)**

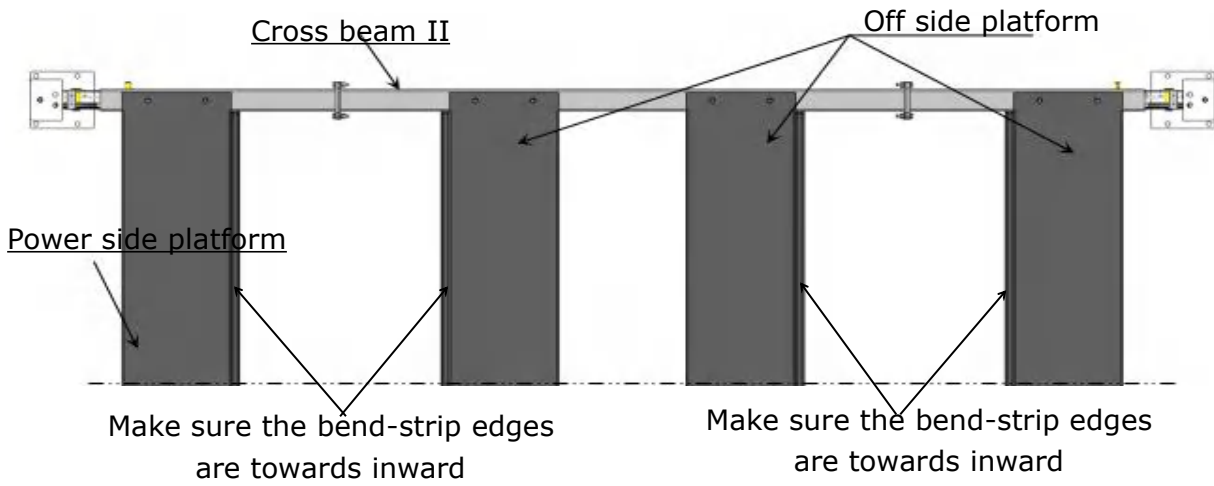


**Fig. 27**

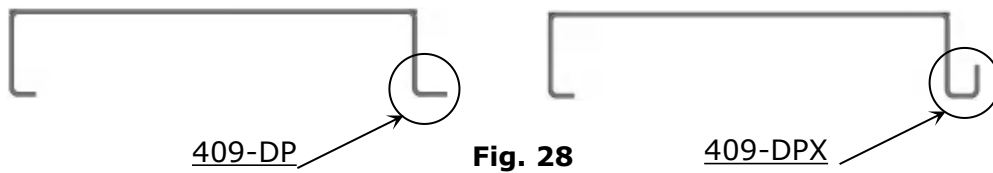
### **J. Install off side platform**

1. Place the off side platform onto the cross beam. Note: Pay attention to the bend-strip edge of the platform, and it must be placed same as fig 28.

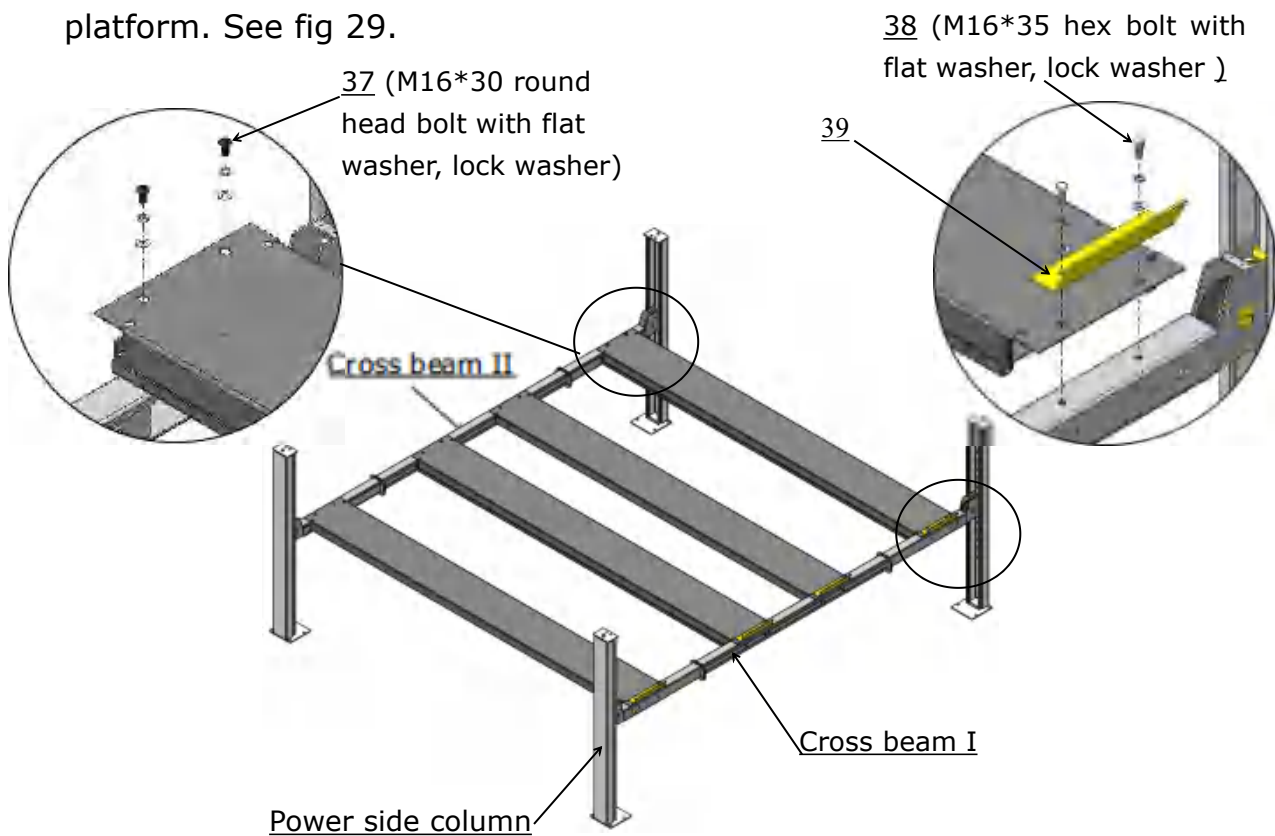




**Pay attention to the difference of bend-strip edges of two models.**

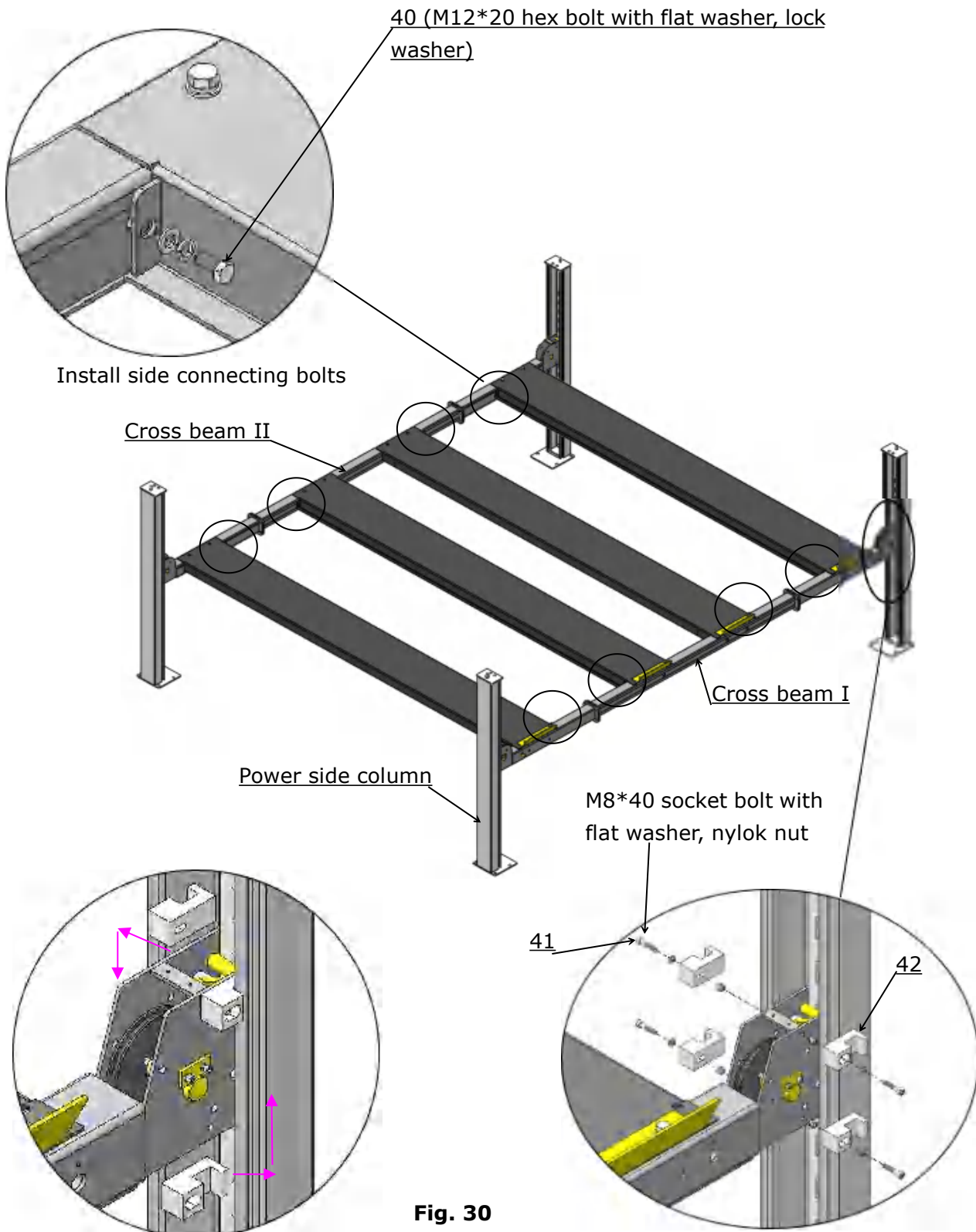


2. Install platform connecting bolts, follow the same steps as power side platform. See fig 29.



**Fig. 29**

3. Install platform side connecting bolts and cross beam slide blocks. Finally, tighten all the connecting bolts of platform.

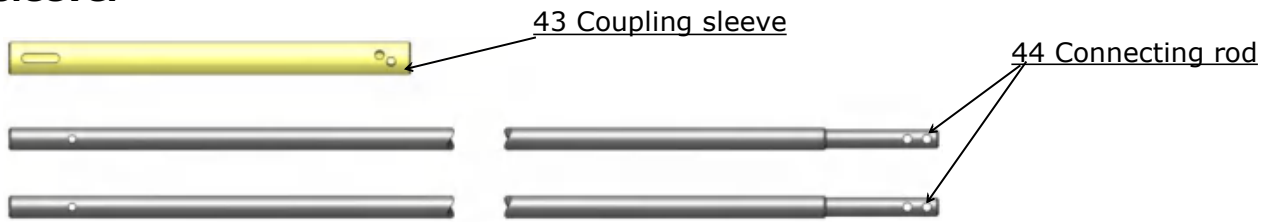


**Fig. 30**

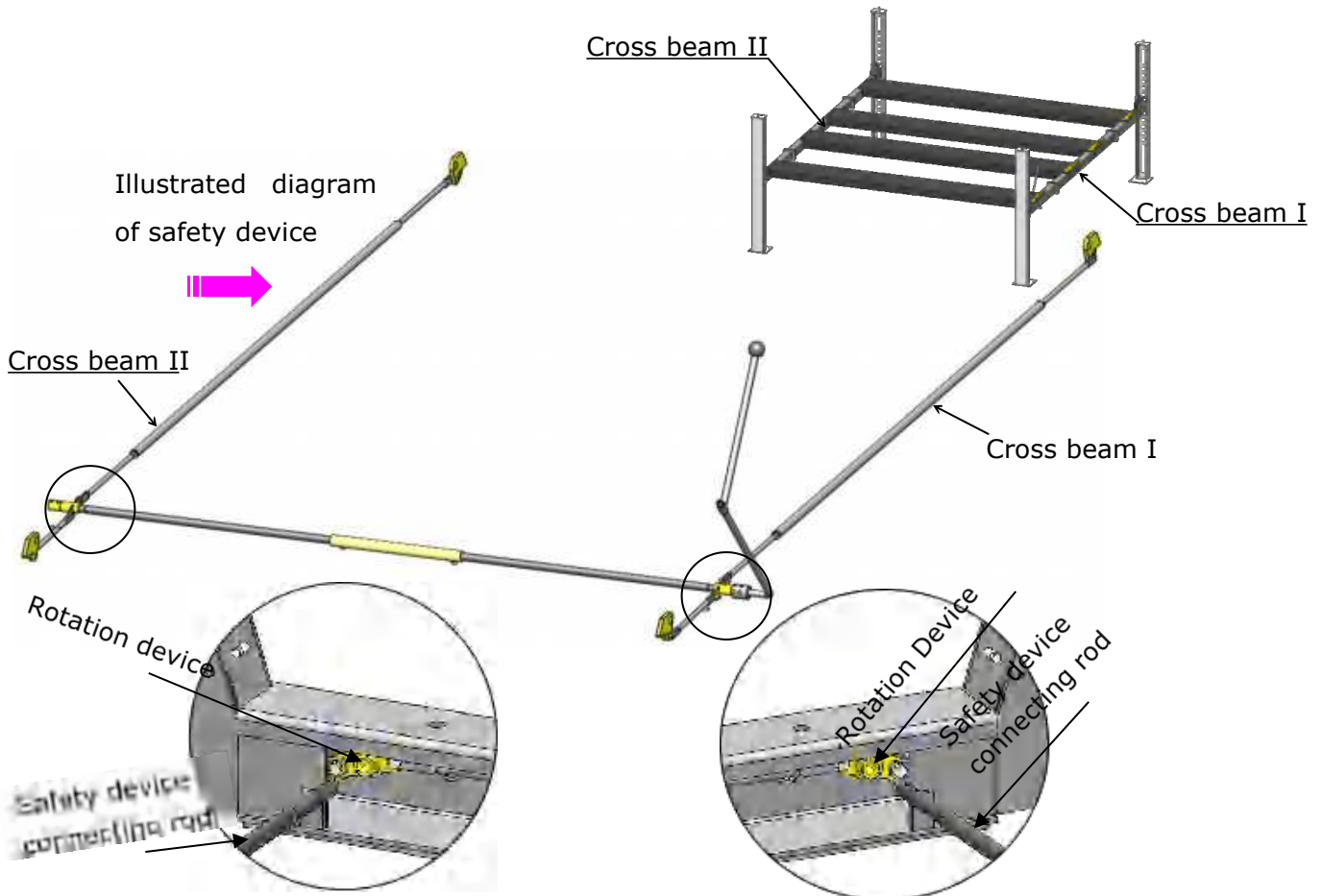
Pass the slider block along the bend edges of column to the gap between column and cross beam. Align to the mounting holes of cross beam and fix with bolts.

**Note: DO NOT** completely tighten the socket bolt and nylok nut when install the limit slider blocks. Loosen 1/4 turn after tightening.

**K. Install safety device connecting rod, release handle and coupling sleeve.**

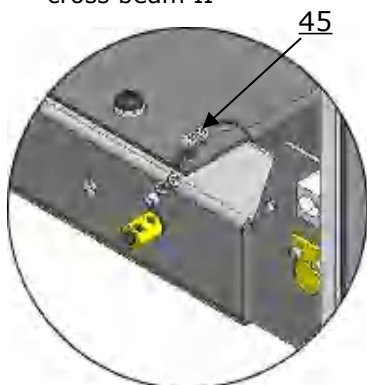


1. Install safety device connecting rod and Release handle, see fig 31

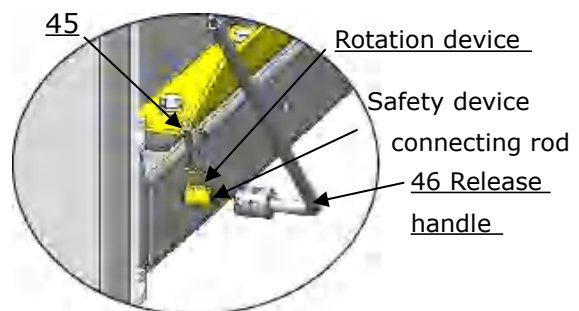


① Pass the end of connecting rod (with 2 holes) through the rotation device of inner side of cross beam II

③ Following the same step to install another rod to cross beam I



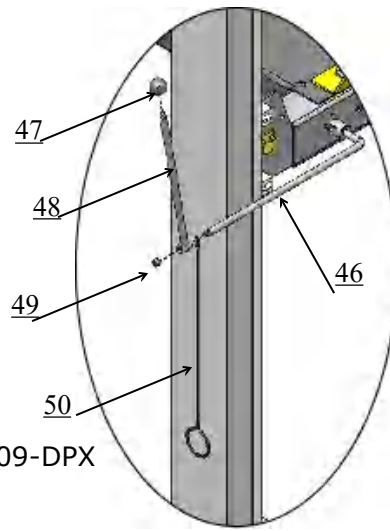
② Align the mounting hole on the outside of cross beam II, tighten with M8\*35 socket bolt with lock washer.



④ Install Release handle on the cross beam I, align the mounting hole, tighten with M8\*35 socket bolt with lock washer.

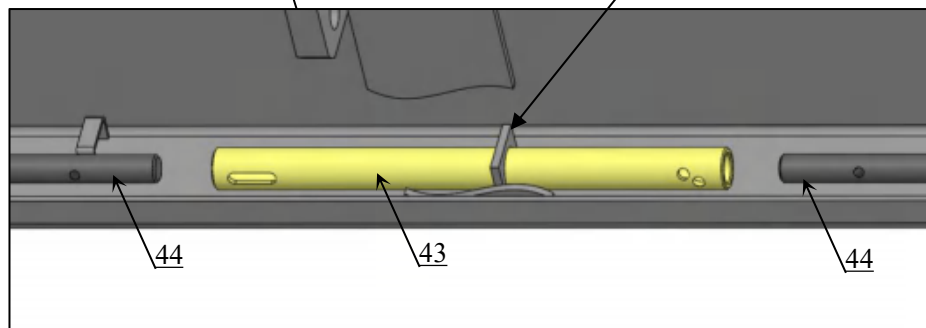
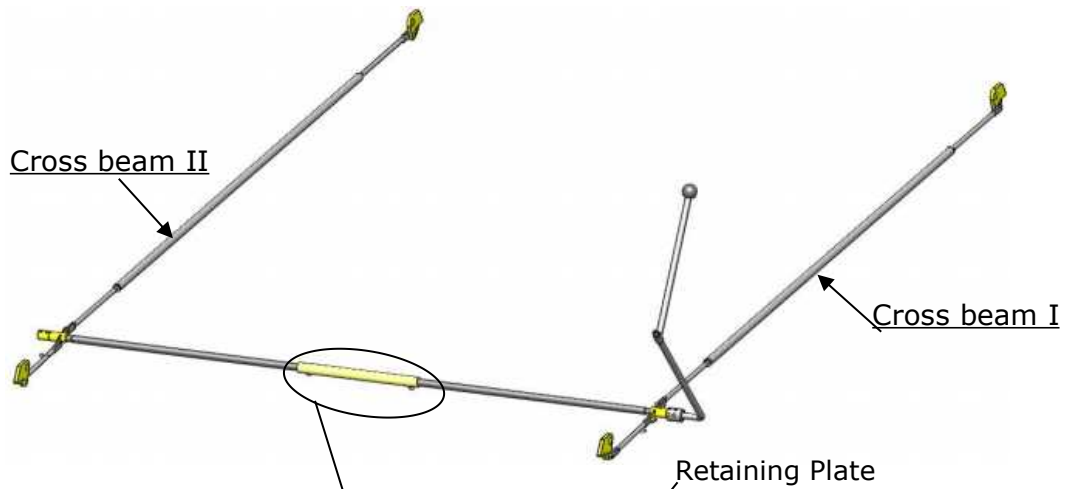
**Fig. 31**

⑤ Install extended release handle and pull rope.



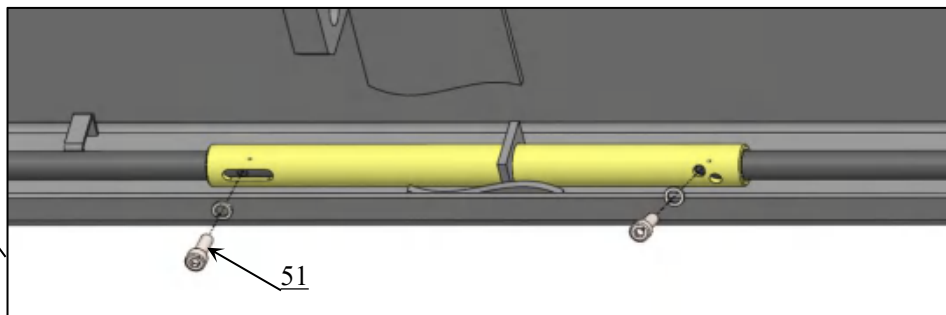
Pull rope only available for 409-DPX

2. Install coupling sleeve



① Pass the coupling sleeve through retaining plate, then put the safety device connecting bar (threaded side) into it.

View from the bottom

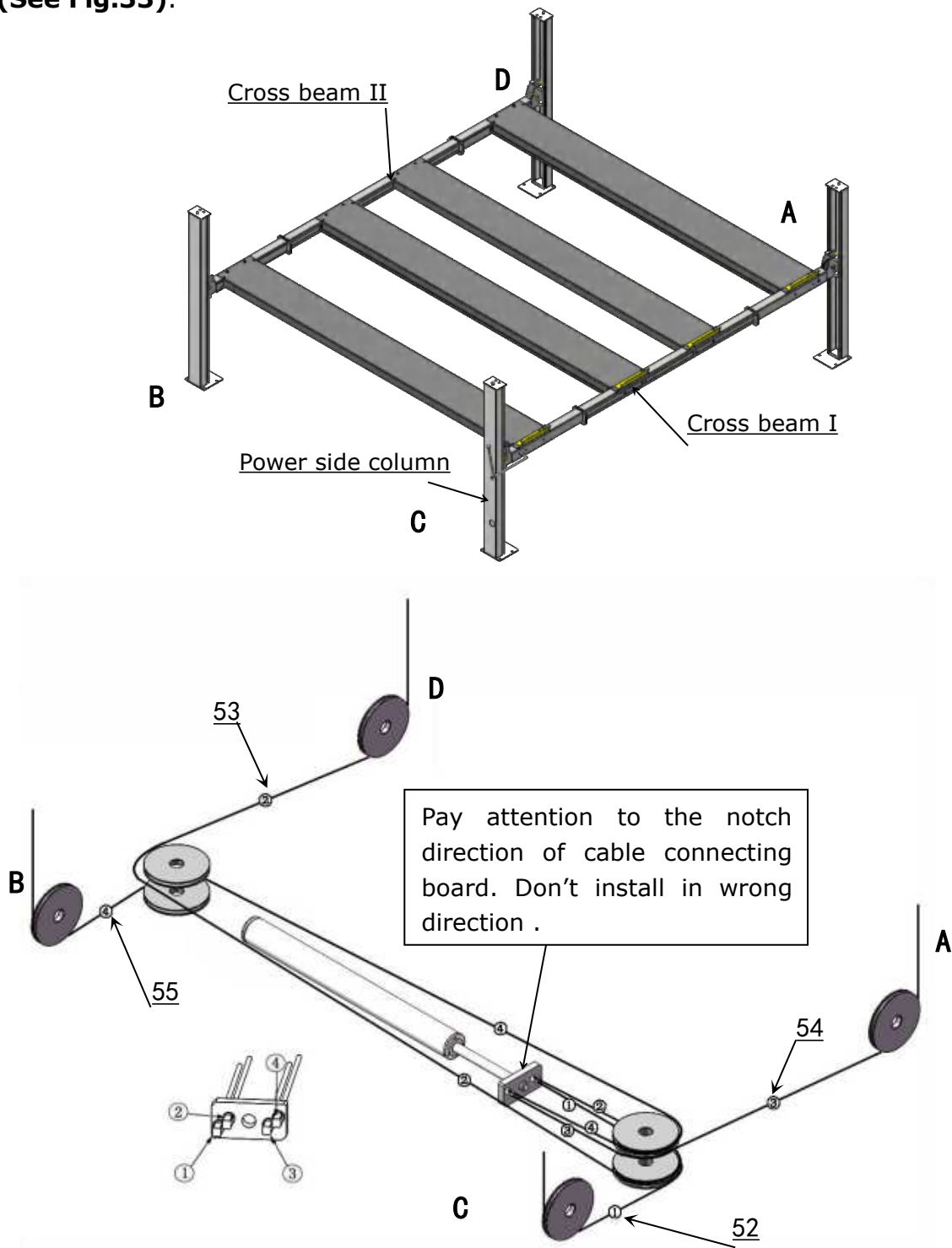


② Align the holes that connecting the connecting bar and coupling sleeve as show above, tighten with M28\*25 socket bolt with lock washer.

Fig. 32

## L. Installation of cables

1. Pass the cables from platform to the columns according to the number of the cables  
(See Fig.33).

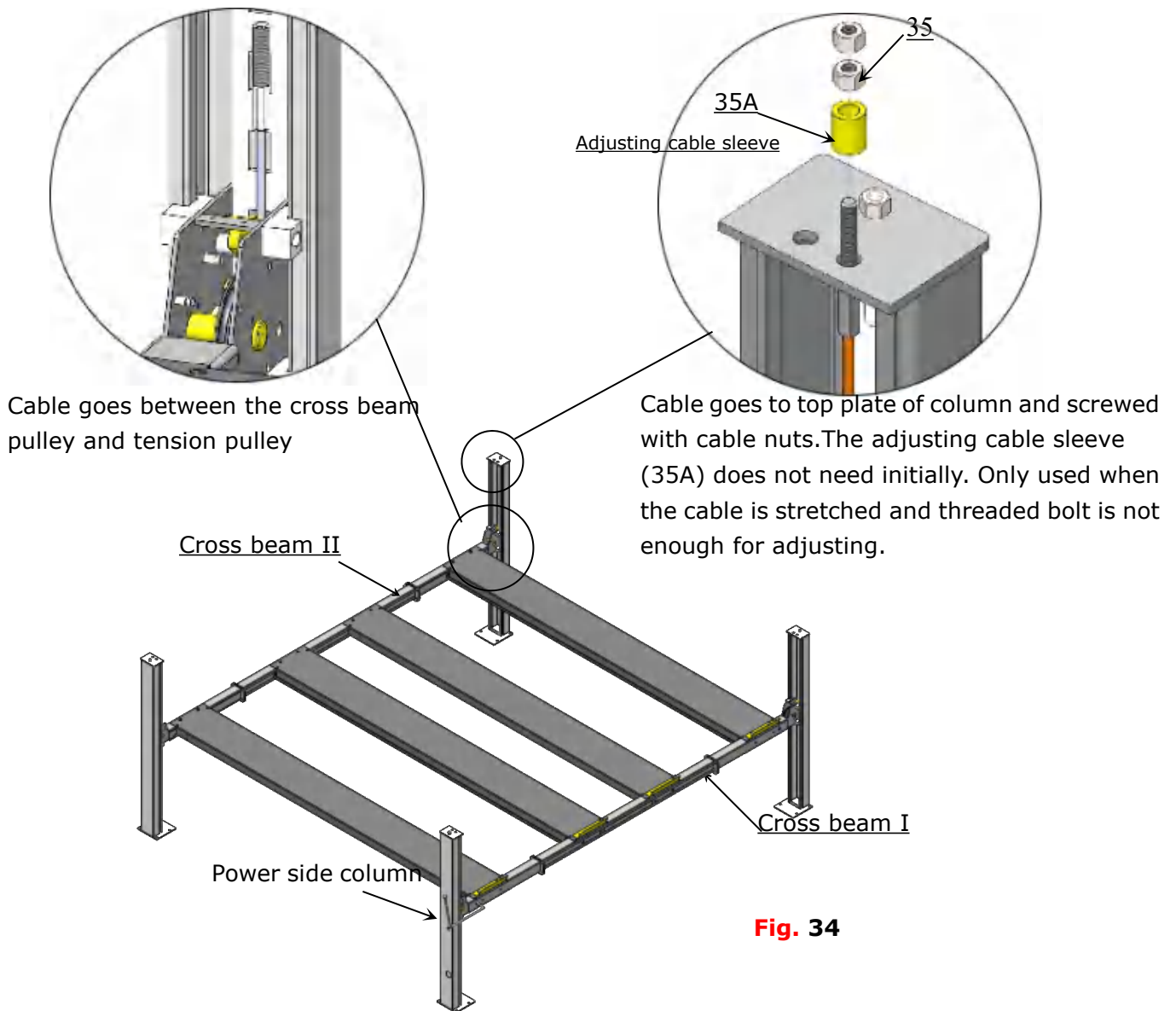


**Fig. 33**

**Cable installation diagram**

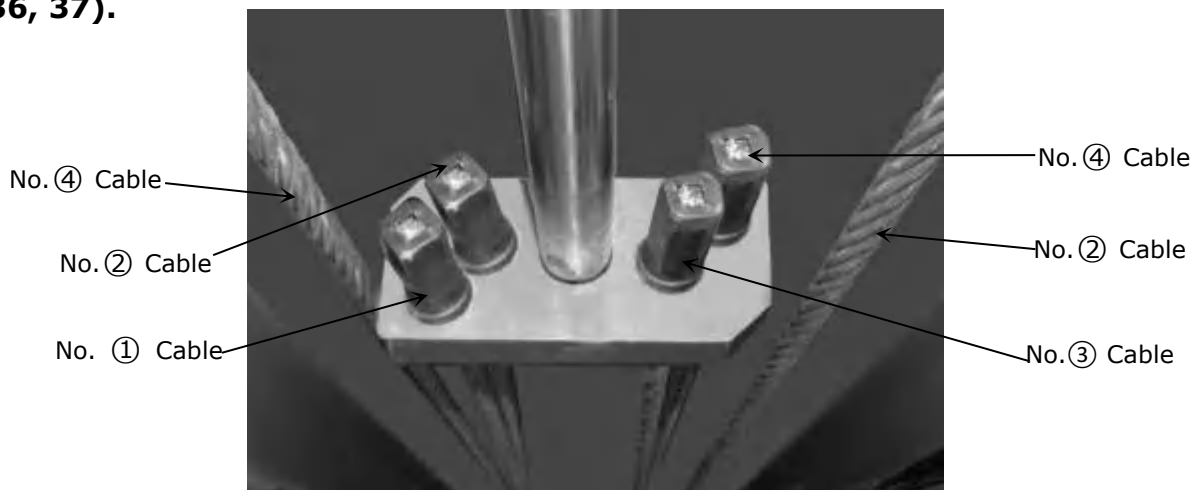
NO.	①	②	③	④
Cable				
409-DP Length (inc. cable fitting)	118 7/16"	437"	270 3/8"	286 1/4"
409-DPX Length (inc. cable fitting)	131 5/8"	478 3/4"	283 9/16"	327"

2. Pass the cables through the cross beam pulley and tension pulley to top plate of column and screw with cable nuts (**See Fig. 34**).

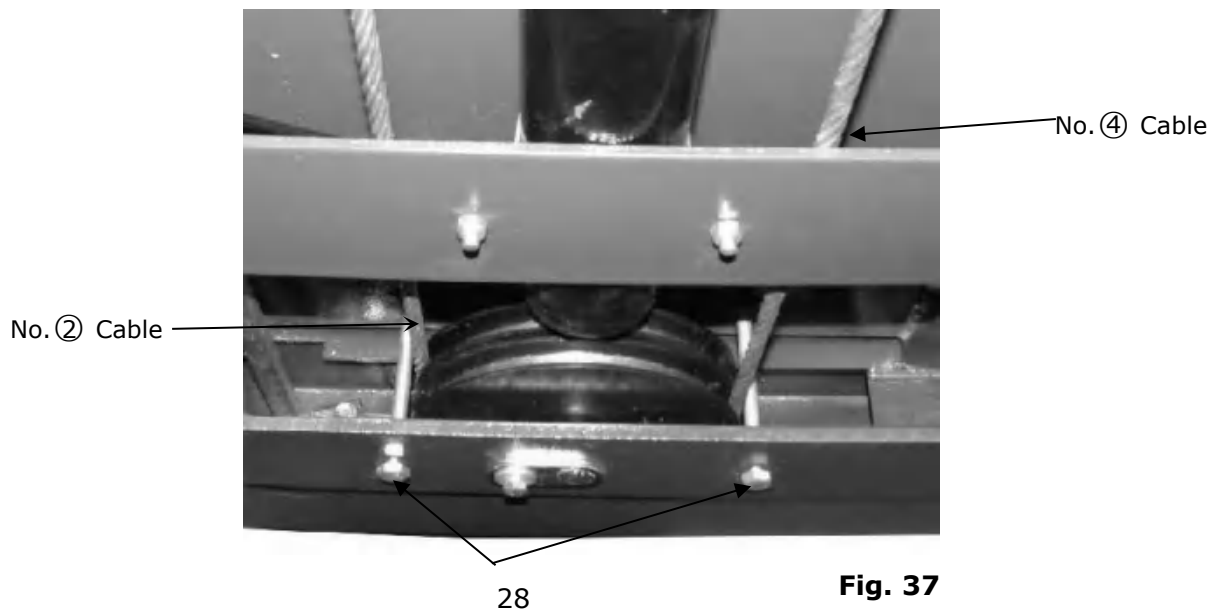
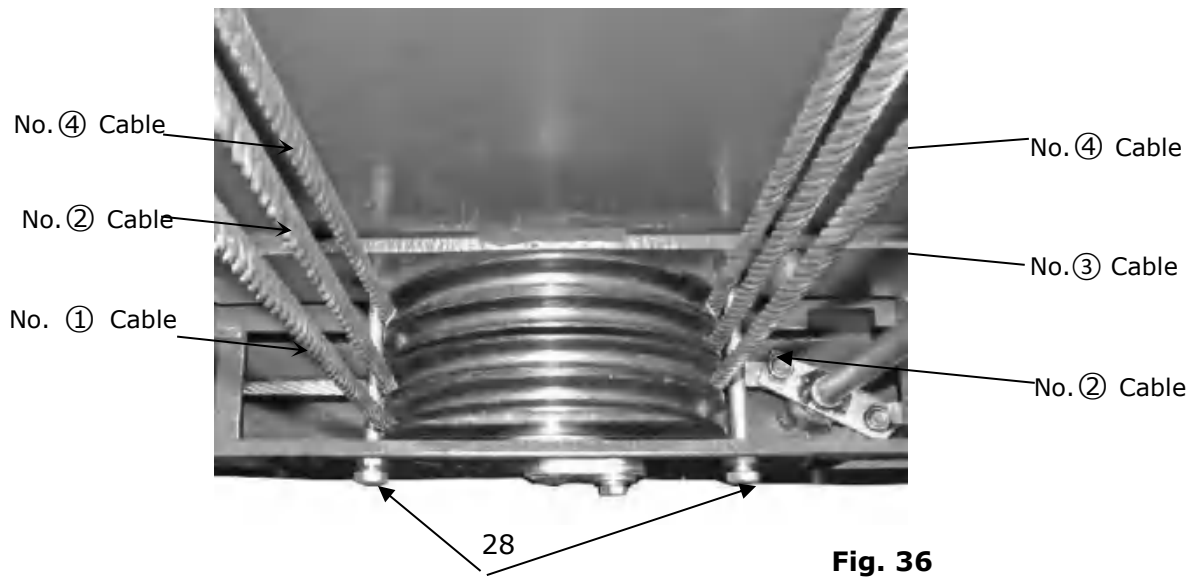


**Fig. 34**

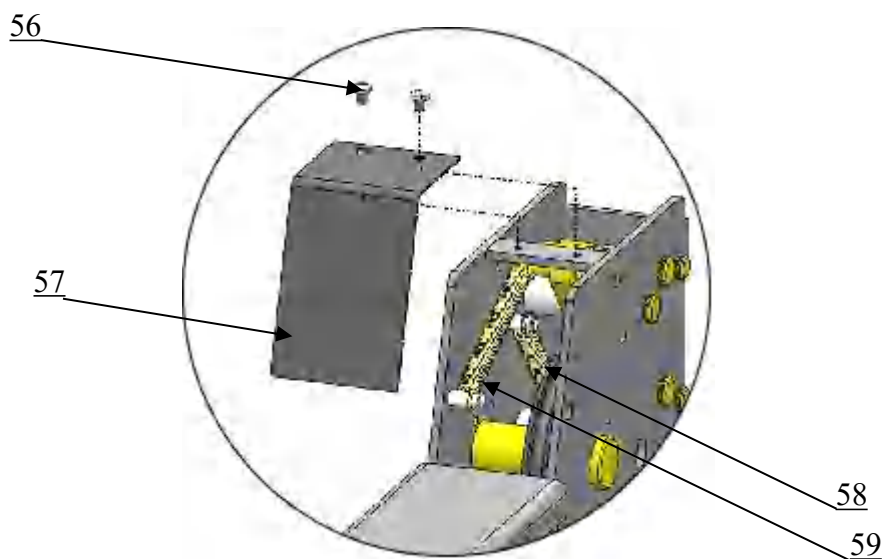
3. The sketched overview of cables finally installed under platform (**See Fig. 35, 36, 37**).



**Fig. 35**



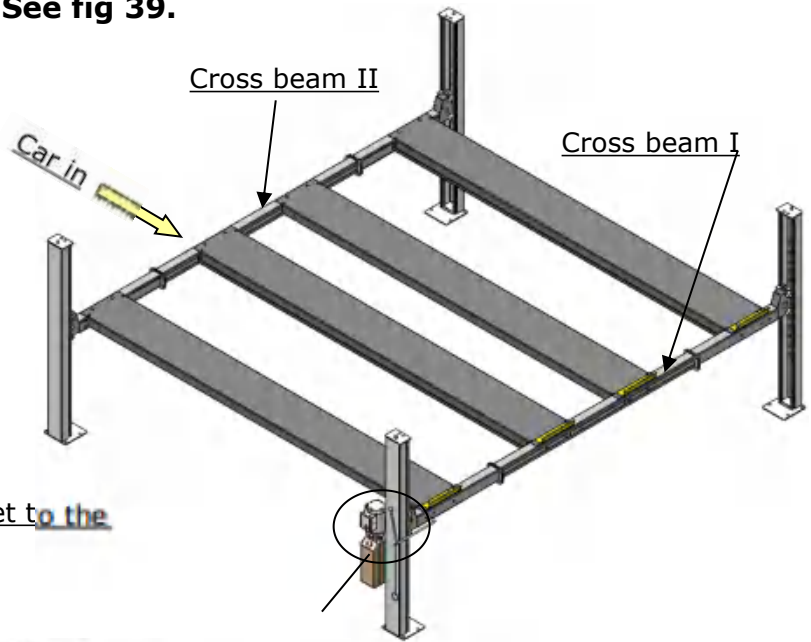
4. Install tension spring and cross beam protective cover. **(See Fig. 38).**



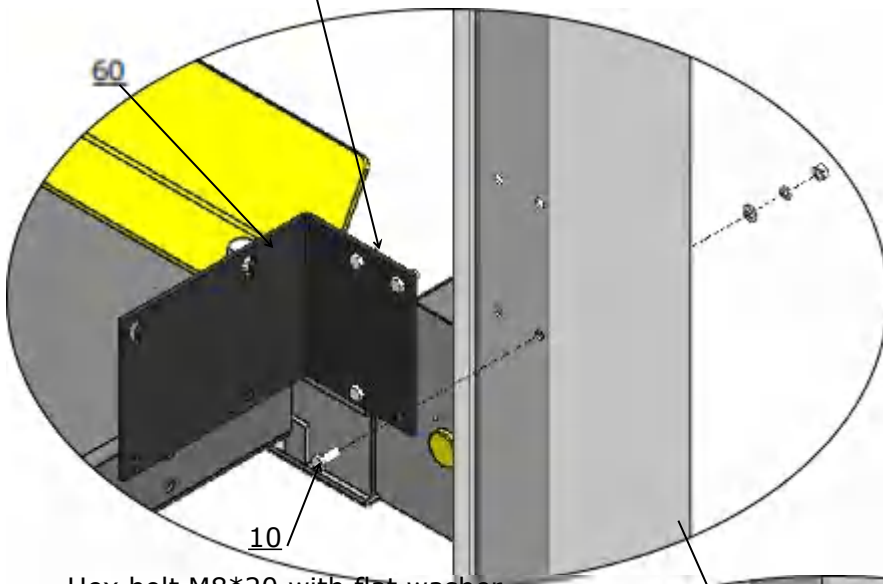
**Fig. 38**

### M. Install power unit

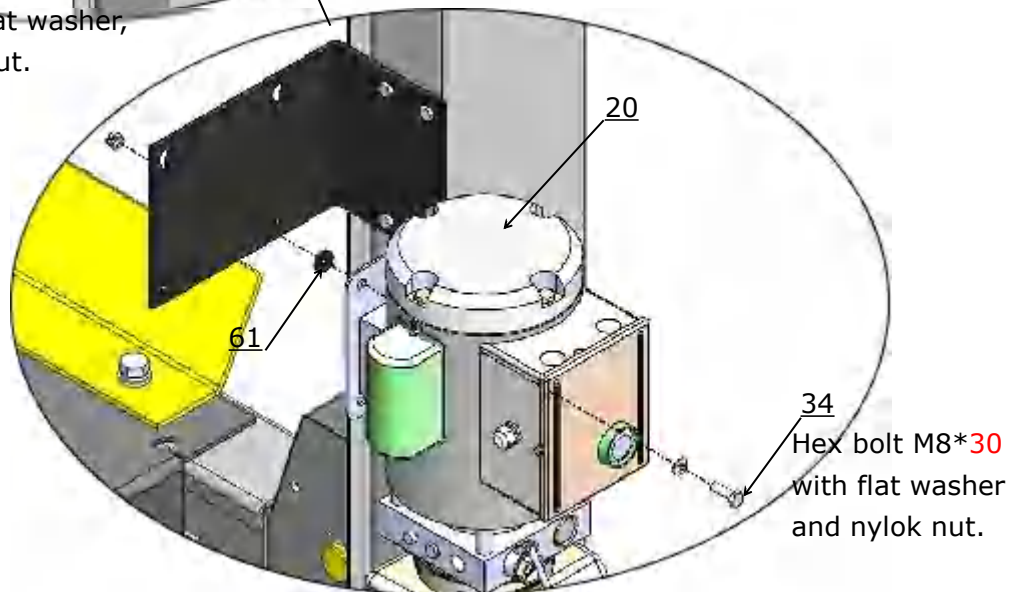
Install the motor fixing bracket to the power side column. And install the power unit to the bracket. See fig 39.



Install the motor fixing bracket to the power side column



Hex bolt M8\*20 with flat washer, lock washer and Hex Nut.



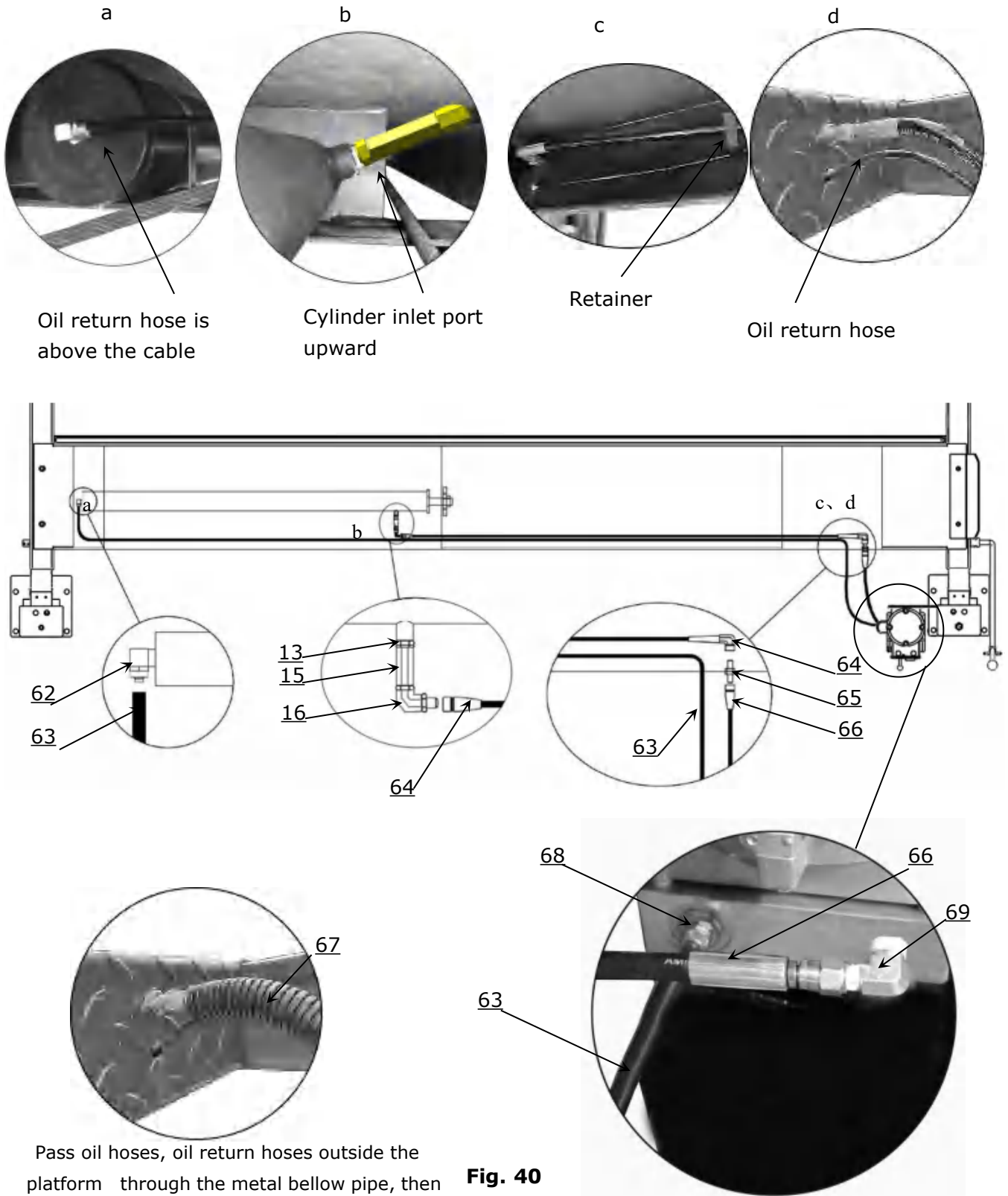
**Fig. 39**



## N. Install Hydraulic System

1. For power unit install to the column at the side of cross beam **A** (See Fig. 40)

**Note:** Oil hoses connected to oil cylinder must be passed above the cable and cylinder inlet port should be upward a little to avoid the oil hose scratched by cable.

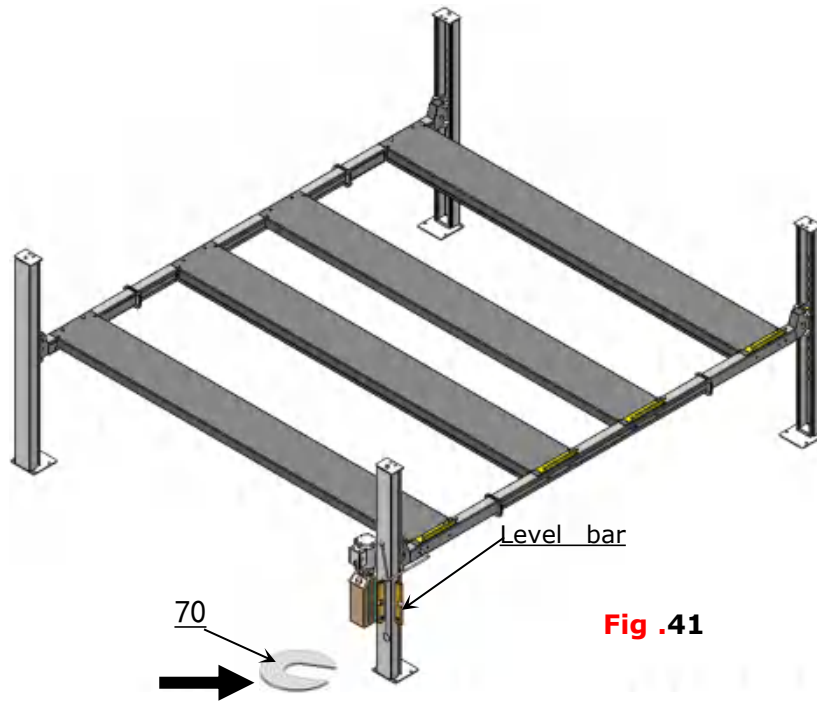


Pass oil hoses, oil return hoses outside the platform through the metal bellow pipe, then connect to the power unit

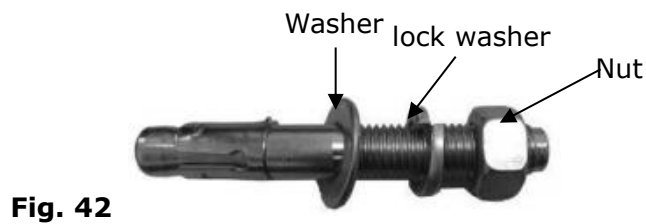
**Fig. 40**

**O. Adjust columns plumbness, install anchor bolts.**

1. Check the plumbness of columns with leveling instrument and adjust with the shims.

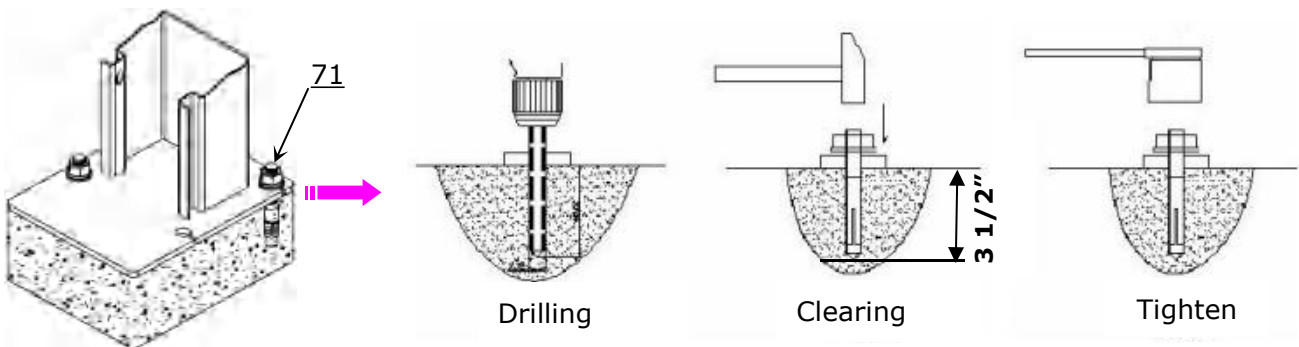


2. Prepare the anchor bolts (See Fig. 42).



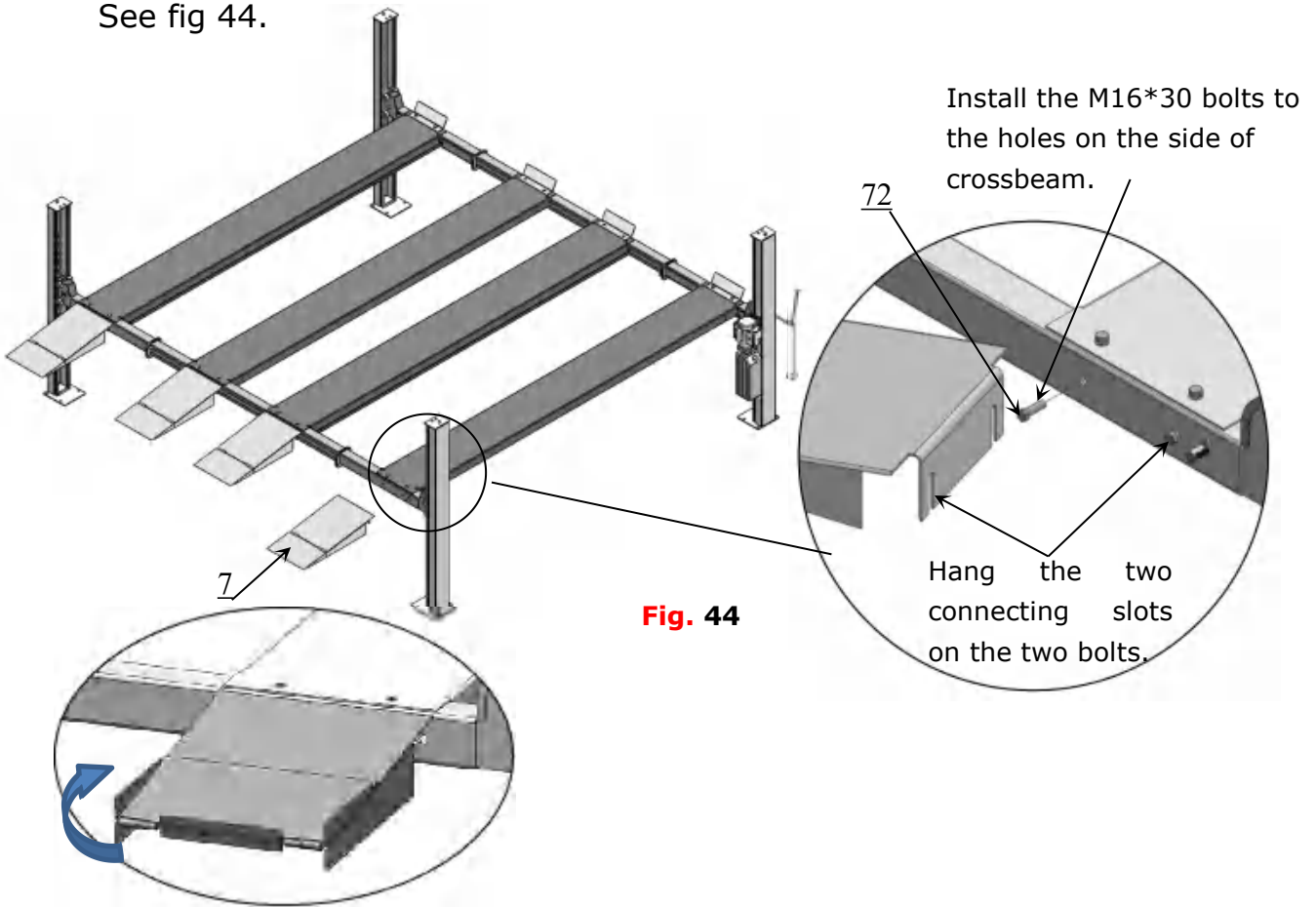
3. Use the prescribed rotary hammer drill, drill all the anchor holes and install the anchor bolts and tighten all nuts. (See Fig. 43)

Note: The tightening torque for the anchor bolt is **150N.m(1328lbf.n)** , anchor bolts driven into the ground at least **3 1/2"** .



**P. Install foldable drive-in ramp assembly**

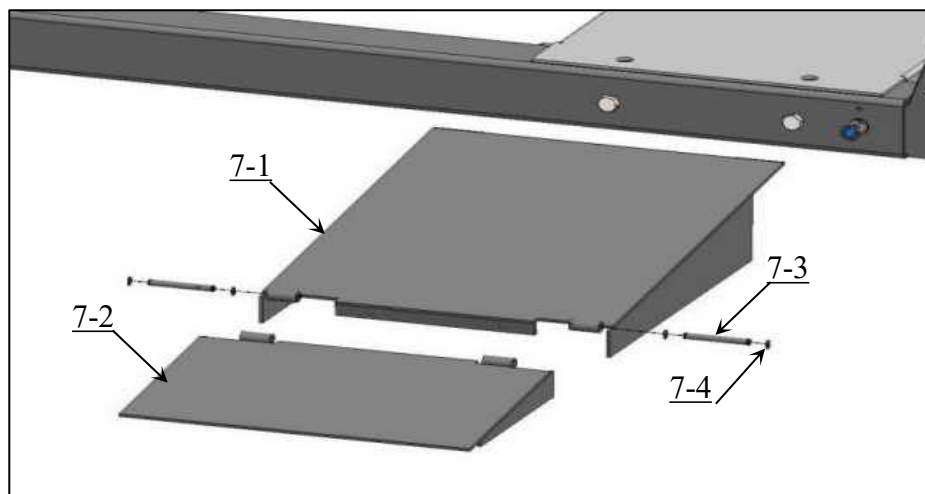
Install the M16\*30 bolts into the cross beam according to the below diagram, then hang the 4 units foldable drive-in ramps assy. on the bolts. See fig 44.



**Fig. 44**

Fold up the front half of ramps after the car is parked well.

**Exploded view of foldable drive-in ramps assembly**

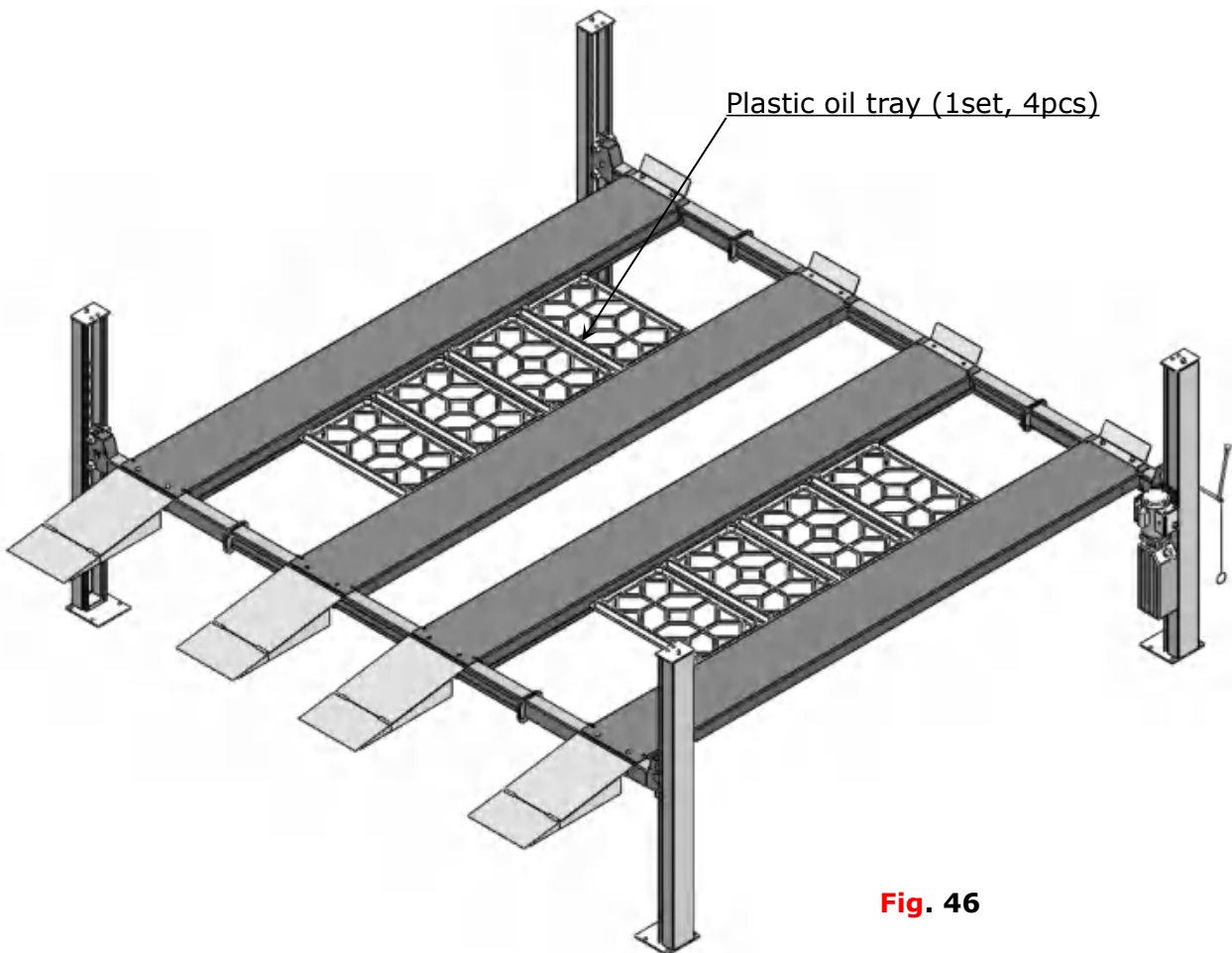


**Fig. 45**

## Parts List of foldable drive-in ramps assembly (1104533025C)

No.	Part Number	Description	Qty
7-1	1104533025A	Foldable drive-in ramps #1	2
7-2	1104533026A	Foldable drive-in ramps #2	2
7-3	1104543021	Connect pin	4
7-4	10209010	φ10 snap ring	8

### Q. Install optional plastic oil tray ( Kits No.40806)



**Fig. 46**

## R. Install optional storage wave panels (Kits No.40812)

Every lift can use 1 set or 2 sets

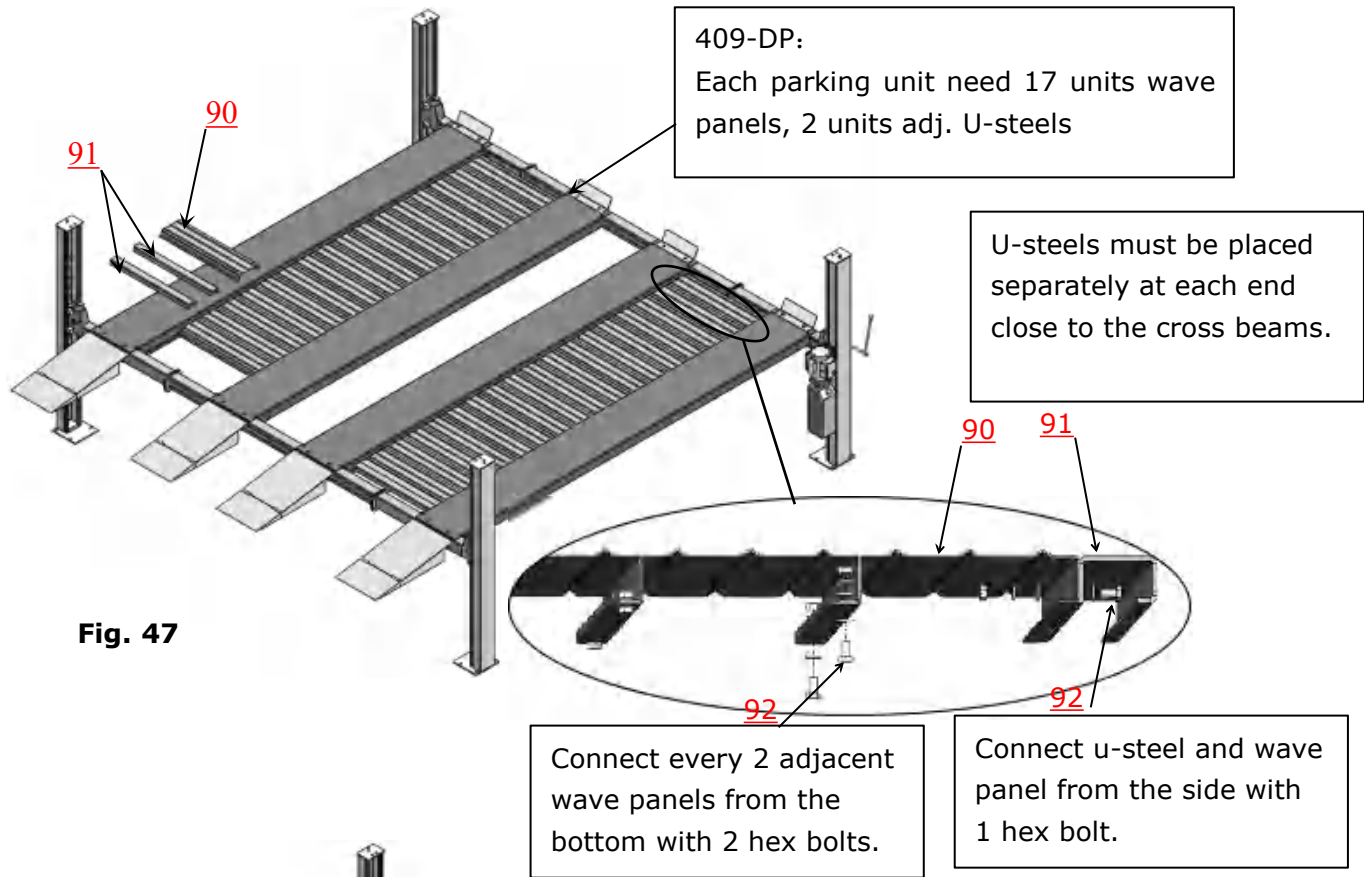


Fig. 47

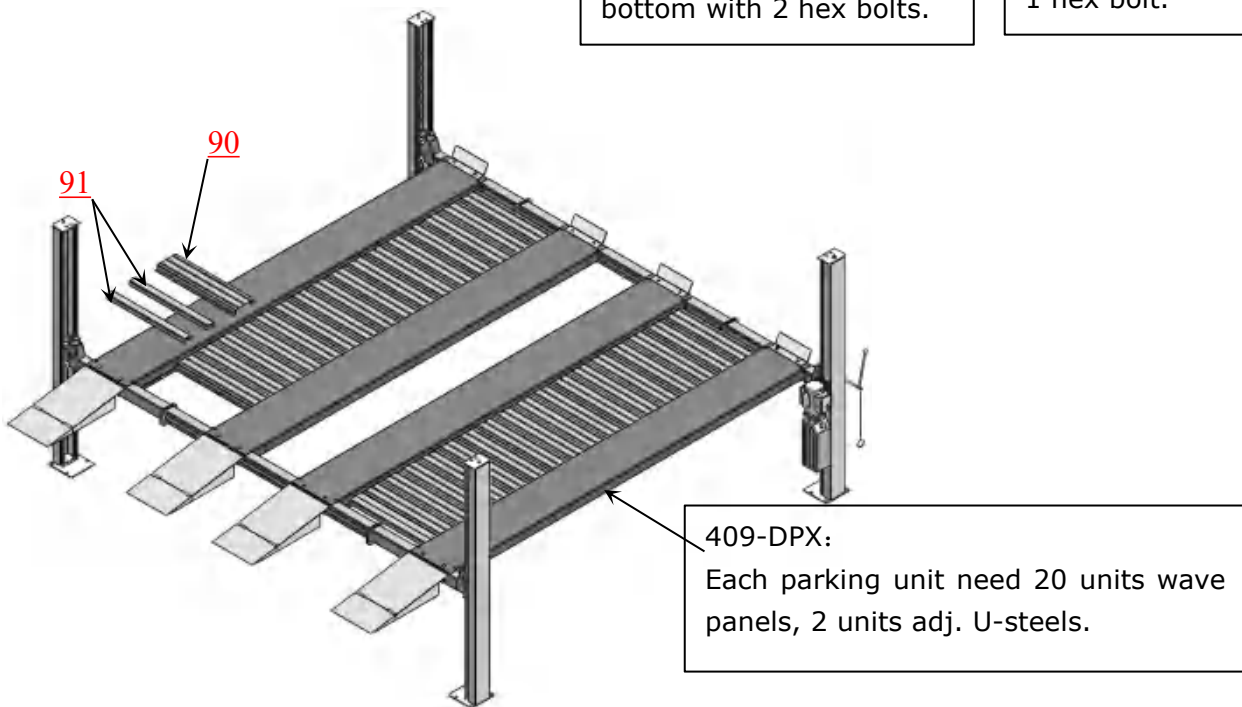


Fig. 48

### Parts List of Storage Wave Panels ( Kits No. 40812)

No.	Part Number	Description	Qty
90	1004574008	Wave Panel	20
91	1104574002	Adj. U-Steel	2
92	1004544008	M8*16 hex bolt (incl. 2 flat washer, lock washer, hex nut)	40

## S. Install Electrical System

Connect the power source according to the data plate of Motor.

Note: For the safety of operators, the power wiring must contact the floor well.

### Single phase motor

Connect the two power supply wire (fire wire **L1** and **L3**) to terminals of AC contactor marked **L1, L3** respectively. Connect the earth wire to earth strip.

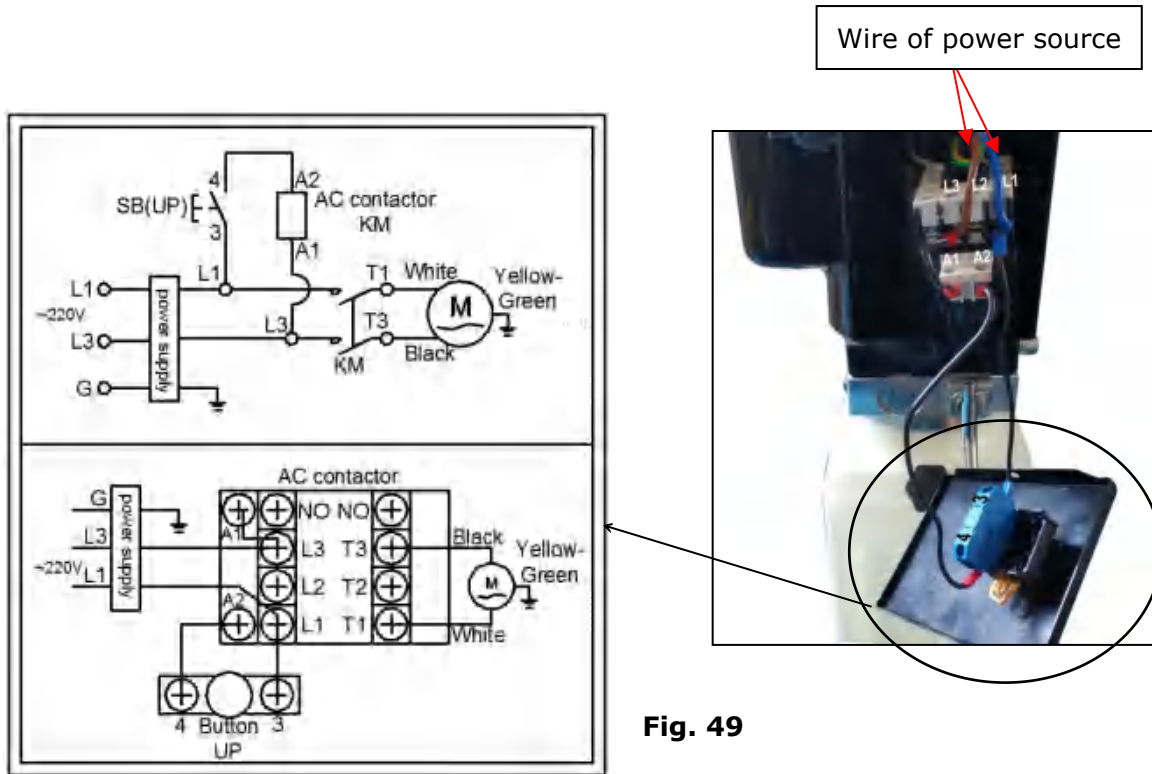
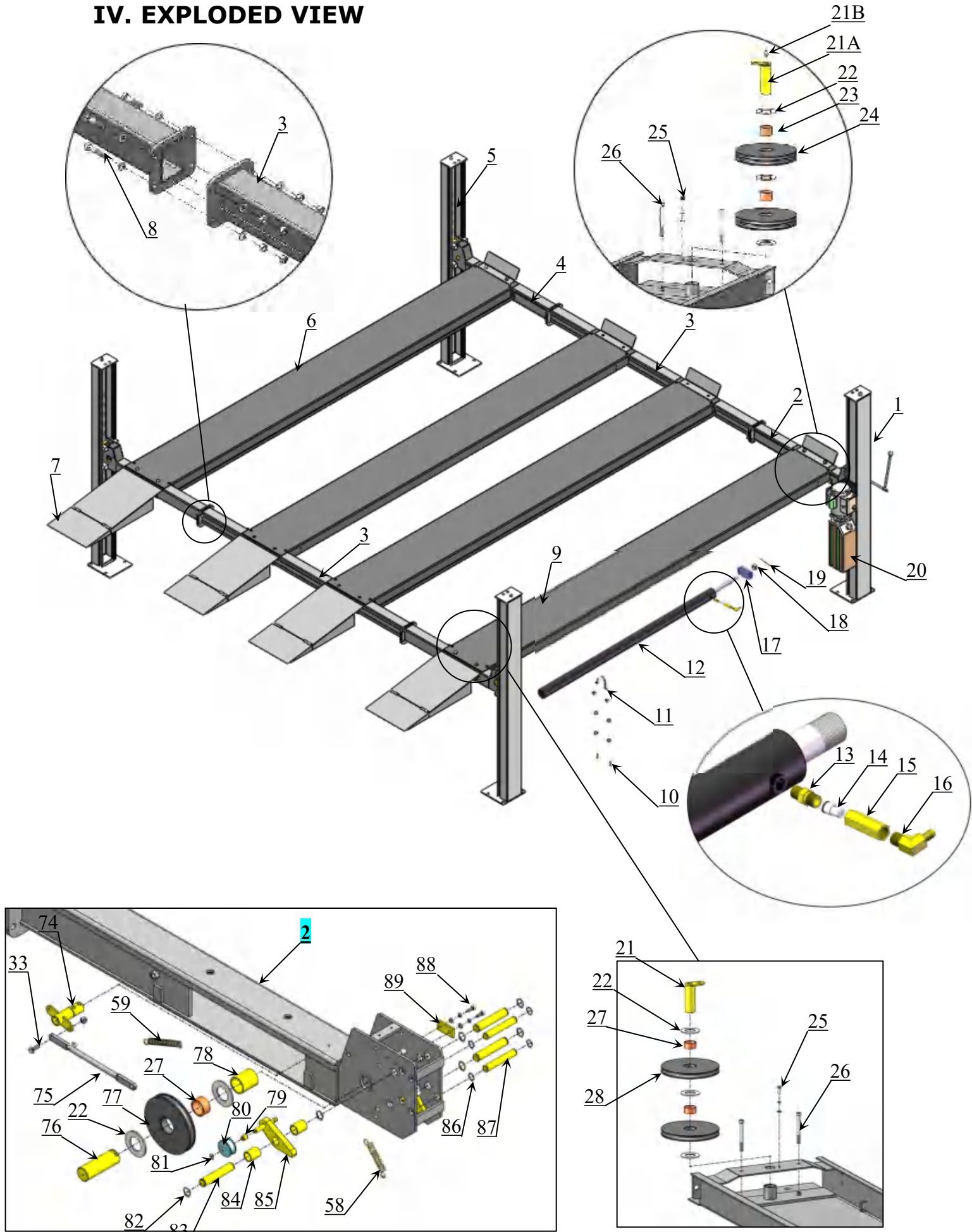


Fig. 49

**⚠ DANGER** Do not use the lift if the wires are damaged or severely worn. If the vehicle rises without noticing damage or extreme wear, carefully lower the vehicle to the ground. Once the lift is on the ground, remove it, disconnect the power, and arrange for protection.

# IV. EXPLODED VIEW



**Fig. 50**

## PARTS LIST

No.	Part No.	Description	Quantity	
			409-DP	409-DPX
1	11410001-01	Power side column	1	0
	11410074-02		0	1
2	1104572012A-01	Cross beam connection B	2	2
3	1104572007A	Cross beam	2	2
4	1104572011A-01	Cross beam connection A	2	2
5	11410002-01	Off side column	3	0
	11410075-02		0	3
6	1104573001B-01	Off side platform	3	0
	1104583001B-01		0	3
7	1104533025C	Foldable drive-in ramps assy.	4	4
8	1004574010	Hex Bolt M14*50 (12.9GD, half threaded), with 2 flat washers, 2 hex nuts (12.9GD).	20	20
9	1104573001A-01	Power side platform	1	0
	1104583001A-01		0	1
10	1004574011	Hex Bolt M8*20 (incl. flat washer, lock wash and hex nut )	2	2
11	11410090	Cylinder retaining ring	1	1
12	10410081	Cylinder	1	0
	10410070-02		0	1
13	11420243	Straight fitting.	1	1
14	10209119	Compensation valve	1	1
15	10420245	Straight fitting	1	1
16	10201020	90° Fitting	1	1
17	1104573005	Cable connecting board	1	1
18	10420014	Hex bolt M27	1	1
19	10201005	Cotter pin $\phi$ 4*50	1	1
20	81513023	Manual power unit	1	1
21	1104533012A	Pulley pin	1	1
21A	1104573007A	Pulley pin	1	1
21B	10620064	Greasing fitting	1	1
22	10420023A	Flat washer $\phi$ 36* $\phi$ 65*3	14	14
23	1104014001	Bronze bush $\phi$ 41.3* $\phi$ 35.1*29	2	2
24	1104533023	Pulley (dual grooves) $\phi$ 200*30	2	2
25	1004574012	Hex Bolt M8*20 (incl. $\phi$ 8* $\phi$ 25*3 flat washer, lock washer. )	2	2
26	10650502	Socket bolt M10*100 (half threaded)	4	4
27	10420132A	Bronze bush for Pulley $\phi$ 41.3* $\phi$ 35.1*20	6	6
28	11420024B	Pulley $\phi$ 200*20	2	2
29	1104572006A	Safety device coupling bar	2	2
30	1104572014-01	Safety device connecting bar	4	4
31	10217002	Hex nut M8	4	4
32	10209034	$\phi$ 8 Lock washer	4	4
33	1004574013	Hex bolt M8*20 (incl. flat Washer, nylok nut)	4	4



No.	Part No.	Description	Quantity	
			409-DP	409-DPX
34	1004574014	Hex bolt M8*30 (incl. flat Washer, nylok nut)	6	6
35	10420175A	Hex nut M20	16	16
35A	1104571001	Adjusting cable sleeve φ28*30	4	4
36	11410022	Safety ladder	4	0
	11410073-01		0	4
37	1004574015	Hex bolt M16*30 (incl. lock washer, flat washer)	8	8
38	1004574016	Hex bolt M16*35 (incl.lock washer, flat washer)	8	8
39	11410015-1	Tire Stop	4	4
40	1004574017	Hex bolt M12*20(8.8GD) (incl. lock washer, flat washer)	8	8
41	1004574018	Socket bolt M8*40 (incl. flat Washer, nylok nut)	16	16
42	10410016A	Slider block 3 3/16"*1 1/2"*1 1/2"	16	16
43	11410024-01	Coupling sleeve	1	1
44	1104572028	Safety device connecting rod φ19*82 15/16"	2	0
	11410069-01	Safety device connecting rod φ19* 96 1/2"	0	2
45	1004574019	Socket bolt M8*35, incl. lock washer	4	4
46	11410026	Release handle.	1	1
47	10217005	M10 Plastic ball.	1	1
48	11410100	Extended release handle	1	1
49	10209056	Nylok Nut M10	1	1
50	1004554006	Pull rope	0	1
51	1004574020	Socket Bolt M8*25 (incl. lock washer)	2	2
52	1004573008	No. ① sync cable assy. 3/8" x 118 7/16"	1	0
	1004583003-01	No.① sync cable assy. 3/8" x 131 5/8"	0	1
53	1004573004-01	No.② sync cable assy. 3/8" x 437"	1	0
	1004583004-01	No.② sync cable assy. 3/8" x 478 3/4"	0	1
54	1004573002-01	No.③ sync cable assy. 3/8" x 270 3/8"	1	0
	1004583002-01	No.③ sync cable assy. 3/8" x 283 9/16"	0	1
55	1004573007	No.④ sync cable assy. 3/8" x 286 1/4"	1	0
	1004583001-01	No.④ sync cable assy. 3/8" x 327"	0	1
56	10209145A	Round head bolt M6*12 with washer	8	8
57	1104202002	Cross beam protective cover	4	4
58	1004542001	Spring φ14*2.0*50	4	4

No.	Part No.	Description	Quantity	
			409-DP	409-DPX
59	10420033	Spring $\phi 14 \times 1.8 \times 100$	4	4
60	1104551003	Motor installing plate	1	1
61	10209004	Rubber ring $\phi 8 \times \phi 20 \times 3$	4	4
62	10420166	90° oil return 6*4 screw fitting 1/4" male	1	1
63	1004573009	Oil return hose assy. L=219 21/32"	1	0
	10410072-02	Oil return hose assy. L=247 3/16"	0	1
64	1004573004-01	Oil Hose assy. 1/4"x78 5/16"	1	0
	10410137-02	Oil Hose assy. 1/4"x91 11/16"	0	1
65	10420120	Extended straight fitting with nut	1	1
66	1004204006	Oil hose assy. 1/4"x44 3/32"	1	0
	1004533007	Oil hose assy. 1/4"x 55 29/32"	0	1
67	1004533008	Bellows pipe (L=55 1/8")	1	1
68	10420095	Oil return 6*4 straight screw fitting 3/8" male	1	1
69	10209060	90° fitting for power unit	1	1
70	10201090	Shim (5/64")	20	20
	10620065	Shim (3/64")	20	20
71	10209059	Anchor bolts 3/4" x 5-1/2"	16	16
72	10410013	Hex Bolt M16*30	8	8
73	1004574009	Parts Box	1	0
	1004584004		0	1
74	1104572003A	Rotation device	2	2
75	11410033-04	Safety device control bar	2	2
76	11420041A	Pulley pin	4	4
77	1104202001	Pulley $\phi 145 \times 20$	4	4
78	11420040A	Pulley pin sleeve	4	4
79	11420174	Spacer	4	4
80	10420035	Tension pulley	4	4
81	10209010	Clip ring $\phi 10$	4	4
82	10206019	Clip ring $\phi 19$	24	24
83	11420171	Pin $\phi 19 \times 98$	12	12
84	11420172	Limit bushing	8	8
85	11420240	Safety block2 (right)	2	2
86	10420037	Clip ring $\phi 16$	16	16
87	11420038	Pin $\phi 16 \times 98$	8	8
88	1002735009	Socket bolt M6*16 (include flat washer, lock washer)	8	8
89	11420044	Limit plate	4	4

## 4.1 CYLINDERS EXPLODED VIEW

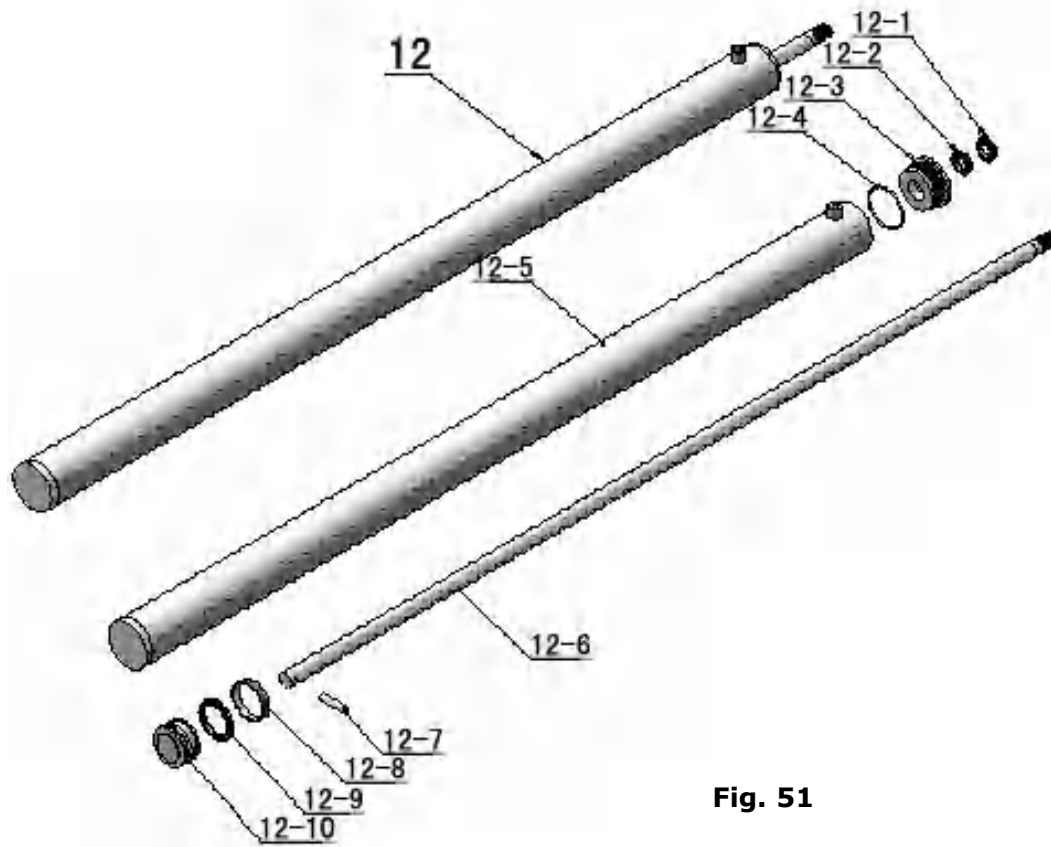
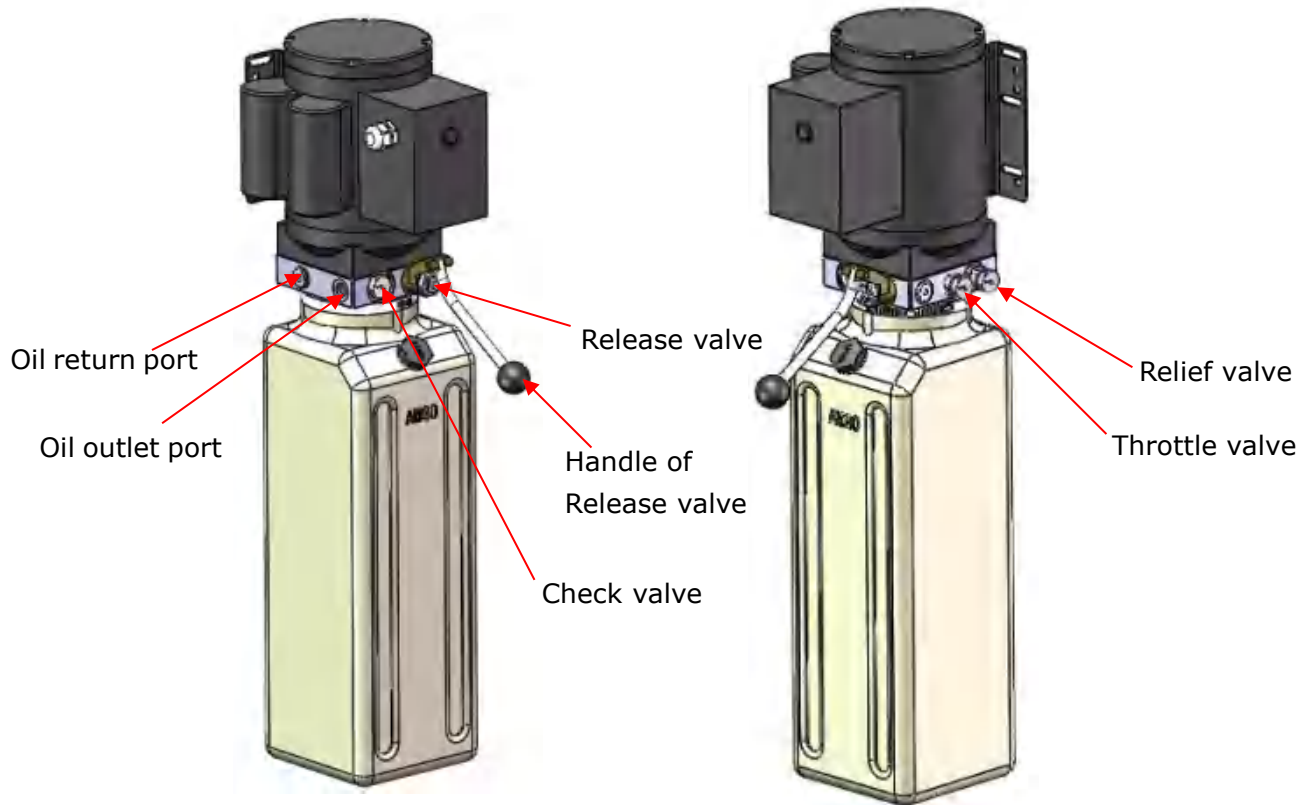


Fig. 51

### Parts List

Item	Part#	Description	Quantity	
			409-DP	409-DPX
12-1	10420059	Dust ring	1	1
12-2	10420060	Y- ring IDI	1	1
12-3	11410082	Head cap	1	1
12-4	10410083	O- ring	1	1
12-5	11410084	Bore weldment	1	0
	11410078-02		0	1
12-6	11420064	Piston rod	1	0
	11410079-02		0	1
12-7	11420065	Pin	1	1
12-8	10420066	Support ring	1	1
12-9	10420067	Y- ring OSI	1	1
12-10	11420068	Piston	1	1

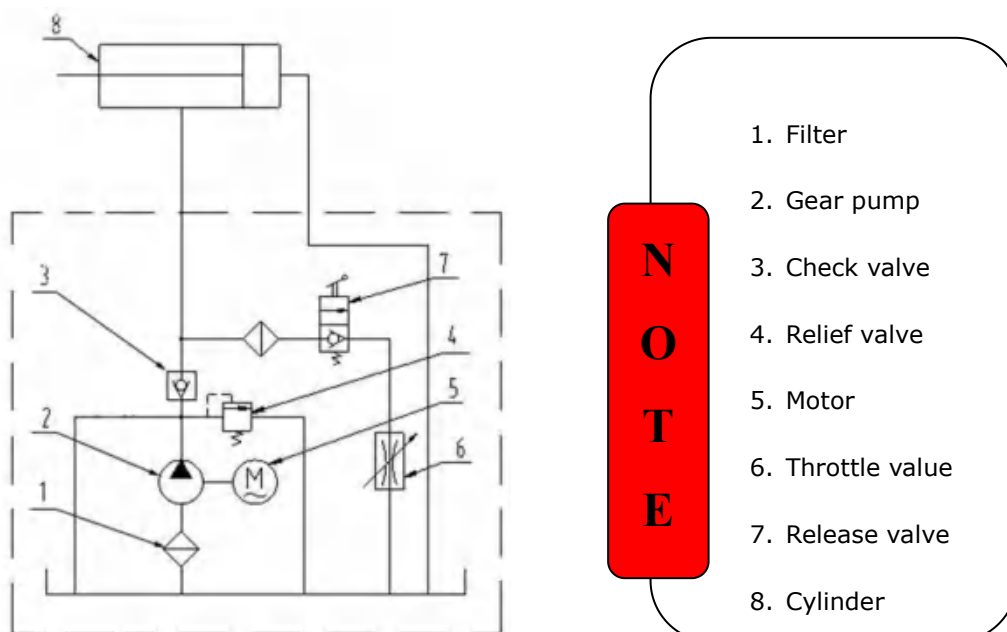
## Illustration of hydraulic valve for hydraulic power unit



**Fig.52**

## V. TEST RUN

1. Fill the oil tank with around 11L hydraulic oil (in order to ensure the service life of the hydraulic system and ensure the best condition of the equipment, please fill in #46 high-quality anti-wear hydraulic oil).
2. Press the power unit button, until the four cables are tightened. Check the coordination between the cables and the pulleys, the cables **SHALL NOT** cross or fall out of the pulley.
3. Press the power unit release handle to lock the cross beam on the safety ladder. Adjust the safety ladder nuts to make sure the platforms at same level. Then tighten both the top and bottom nuts of safety ladder.
4. Balance the tension of cables by adjusting the cable nuts. It is a must to run several cycles up/down of the lift when performing synchronization operation. Make sure all four safety locks can be locked/released at the same time, then tightened all the cable nuts.
5. Make sure the cross beam slide blocks and columns are clearance fit, that the slider blocks can slide smoothly with the column. **DO NOT** tighten the slider blocks.
6. After all above adjustments finished, take the loading test. Firstly low-level load test are taken several times to check the synchronization of operation and all safety locks. If they are no other abnormal phenomena, then take the full cycle load tests several times, otherwise repeat the above adjustments.



**Fig. 53**  
**Hydraulic Schematic Diagram**

## **VI. OPERATION INSTRUCTIONS**

**Please read the safety tips carefully before operating the lift**

### **To lift vehicle**

1. Keep clean of site near the lift;
2. Drive in the vehicles on platforms and apply the parking brake.
3. Power on, push the power unit UP button, lift the vehicles to the working position.

**Note: Make sure the vehicles are in steady safe status.**

4. Press the power unit release handle, the lift goes down and be locked. Check and make sure the lift is locked at the same level locks .
5. Fold up the front half of drive-in ramps.

### **⚠ WARNING**

It is unsafe to work under the lift without locking at the safety device after it has been lifted up, which may causes vehicle fall, damage, lift damage, human injury or even death.

### **To lower vehicle**

1. Clear obstructions around and under the lift and keep people away from the lift.
2. Push power unit **UP** button to raise the lift 3-5 seconds, then the safety lock is out of lock status. Pull the release handle, make sure the safety lock released, press the power unit release handle, the lift will start to lower.
3. Lower the lift to the lowest position, unfold the front half of drive-in ramps, and drive away the vehicles
4. Turn off the power.

## **VII. MAINTENANCE SCHEDULE**

### **Monthly:**

1. Lubricate cables.
2. Make visual inspection of cables for possible wear or damage.
3. Make visual inspection of hydraulic hoses for possible wear or leakage.
4. Lubricate all rollers, pins and safety devices with 90WT gear oil.

### **Every six months:**

1. Make a visual inspection of all moving parts for possible wear, interference or damage.
2. Check and adjust as necessary, cable tension to ensure synchronization.
3. Check columns for plumbness.

### **Oil cylinder maintenance:**

**In order to extend the service life of the oil cylinder, please operate according to the following requirements.**

1. Recommend to use N46 anti-wear hydraulic oil.
2. The hydraulic oil of the lifts should be replaced regularly during using. Replace the hydraulic oil 3 months after the first installation. Replace the hydraulic oil once a year afterwards.
3. Make at least one full trip raising and lowering per day. For exhausting the air from the system, which could effectively avoid the corrosion of the cylinder and damage to the seals caused by presence of air or water in the system.
4. Protect the outer surface of the oil cylinder's piston rod from bumping and scratching, and timely clean up the debris on the oil cylinder dust-ring and the piston rod.

#### **⚠ DANGER**

Make sure the lift is completed disconnected from the power source before maintenance. If there is any external electrical lock/shutdown device, make sure to implement them before maintenance. The contact with high voltage/current, may cause injury or even death.

## VIII. TROUBLE SHOOTING

TROUBLE	CAUSE	REMEDY
Motor does not run	<ol style="list-style-type: none"> <li>1. Start Button does not work</li> <li>2. Wires in poor connecting</li> <li>3. Motor burned out</li> <li>4. AC contactor burned out</li> </ol>	<ol style="list-style-type: none"> <li>1. Replace start button</li> <li>2. Repair wiring connections</li> <li>3. Repair or replace motor</li> <li>4. Replace AC contactor</li> </ol>
Motor runs but the lift is not raised	<ol style="list-style-type: none"> <li>1. Gear pump in damage</li> <li>2. Release valve in damage</li> <li>3. Relief valve or check valve in damage</li> <li>4. Insufficient hydraulic oil</li> </ol>	<ol style="list-style-type: none"> <li>1. Repair or replace</li> <li>2. Repair or replace</li> <li>3. Repair or replace</li> <li>4. Fill in hydraulic oil</li> </ol>
Lift falls automatically after rising	<ol style="list-style-type: none"> <li>1. Release valve failure</li> <li>2. Relief valve or check valve failure</li> <li>3. Cylinder or fittings leakage</li> </ol>	<ol style="list-style-type: none"> <li>1. Repair or replace</li> <li>2. Repair or replace</li> <li>3. Replace oil seal kit or fittings</li> </ol>
Lift raises slowly	<ol style="list-style-type: none"> <li>1. Oil line blockage</li> <li>2. Low voltage</li> <li>3. Hydraulic Oil mixed with air</li> <li>4. Gear pump leakage</li> <li>5. Overload lifting</li> </ol>	<ol style="list-style-type: none"> <li>1. Clean up the oil line</li> <li>2. Check electrical system</li> <li>3. Fill in hydraulic oil</li> <li>4. Replace gear pump</li> <li>5. Check load</li> </ol>
Lift cannot lower	<ol style="list-style-type: none"> <li>1. Safety devices are not released</li> <li>2. Release valve in damage</li> </ol>	<ol style="list-style-type: none"> <li>1. Release the safety devices</li> <li>2. Repair or replace</li> </ol>

**⚠️ WARNING** A lift would be dangerous if operated by inexperienced or distracted operators. Operators should be fully aware that lifting a vehicle is a potentially life-threatening operation, especially if ignoring the mandatory safety precautions.



## IX. CAR LIFT SAFETY TIPS

Put this safety tips in a place where you can always alert the operator. Please reference to the lift manufacturer's manual for specific information about the lift.

1. Check the lift daily. If the machine breaks down or has damaged parts, do not operate, and use original equipment parts to repair.
2. **Do not** overload . The rated weight of the manufacturer design is indicated on the label of the lift.
3. Position control of the vehicle and operation of the lift can only be done by a trained and authorized person.
4. **Do not** lift a car with occupants inside. Keep the customers or bystanders away from the lift.
5. Keep the area around the lift free of obstacles, lubricating oil, grease, garbage and other debris for a long time.
6. Carefully drive the vehicle onto the lift and lifting up to the required height for operation. **Noted:** lift it high enough if you are working underneath, and make sure the safety devices are locked.
7. **Noted:** removing( install) parts from(to) a vehicle would cause a sudden shift of gravity which may result in instability of the vehicle. Please refer to the vehicle manufacturer's service manual as a recommended procedure if you need remove/install parts from(to) the vehicle
8. Before lowering the lift , make sure all obstacles underneath, include tool tray, tool rack etc., are all removed.

## X. LIFT DISPOSAL

When the car lift cannot meet the requirements for normal use and needs to be disposed, it should follow local laws and regulations.



**Address:**

SC Division: 1931 Joe Rogers Jr Blvd, Manning, SC 29102, USA

TX Division: 4310 Adler Dr., Suite #200, Dallas, TX 75211, USA

<http://www.amgohyd.com>

**Manual No.: 72249101**  
**Revision Date: 2024/04**