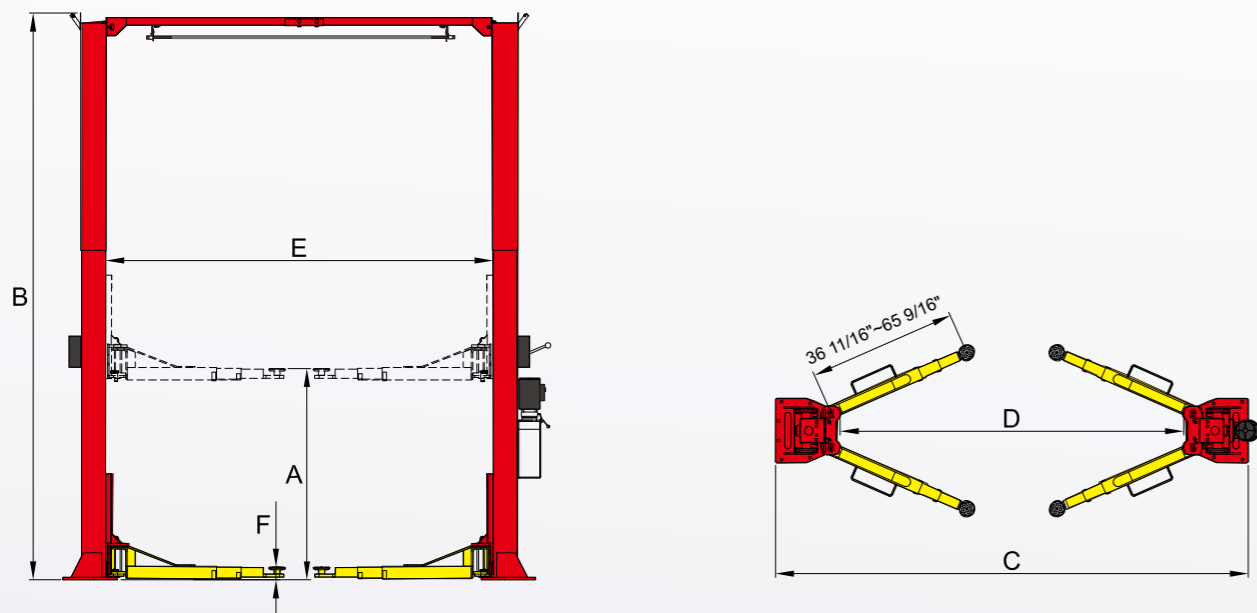


SPECIFICATIONS

Model	OH-12	OH-12S
Lifting Capacity	12,000 lbs	12,000 lbs
Lifting Time	69s	69s
Max. Lifting height: (w/o extension adapter)	72 17/32"	72 17/32"
Max. Lifting height: (w/ extension adapter)	81 17/32"	81 17/32"
Max. lock height: (w/o extension adapter)	70 9/16"	70 9/16"
Max. lock height: (w/ extension adapter)	79 9/16"	79 9/16"
Overall Height:(low setting)	174"	143 1/8"
Overall Height:(Medium setting)	186"	155 1/8"
Overall Height:(High setting)	198"	167 1/8"
Overall Width	C 150 3/4"	150 3/4"
Drive-Thru Clearance	D 109 3/4"	109 3/4"
Width Between Columns	E 123 1/2"	123 1/2"
Minimum Pad Height	F 4 1/2"	4 1/2"
Gross Weight	2,346 lbs	2,202 lbs
Motor	2.0HP, 220V 60Hz, single phase	

TWO-POST HEAVY-DUTY LIFTS

AMGO Heavy-duty two post lifts model OH-12S OH-12 are fitted to any vehicles and garage or commercial shop one lift, three heights, only available in AMGO!



AMGO HYDRAULIC CORPORATION

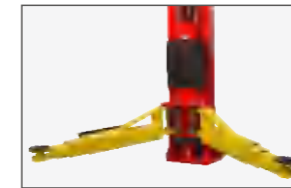
SC Division: 1931 Joe Rogers Jr Blvd, Manning, SC 29102, USA
Tel:(803)505-6410

TX Division: 4310 Adler, Suite 200, Dallas, TX 75211,USA
Tel:(214)377-7742

TWO-POST HEAVY-DUTY LIFTS

AMGO Two Post Lifts are manufactured on high quality standards by using critical material, advance features and innovated technology.

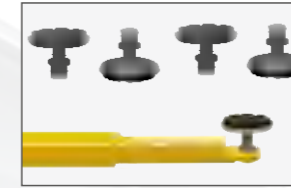
- ✓ Single-point safety release;
- ✓ Overhead safety stop device;
- ✓ Direct drive cylinder design, without chains and other drive parts;
- ✓ Dual hydraulic direct-drive cylinders, designed and made on high standards;
- ✓ Self-lubricating UHMW Polyethylene sliders and bronze bushings;
- ✓ Adjustable three height setting accommodate varying service ceiling height.
- ✓ Automatic arms restraints;
- ✓ Detachable foot guard and tool tray.



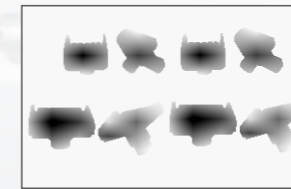
Three-stages Arms
The OH-12 OH-12S with 4 three-stages arms allowing to lift the trucks from short to long wheel base.



Standard drop-in adaptors
1.5", 2.5" & 5" extension high adaptors to fit different trucks and lifting height.



Saddle adapter (Optional)
Single Screw-up rubber Pad Assembly
Kits No.:20803

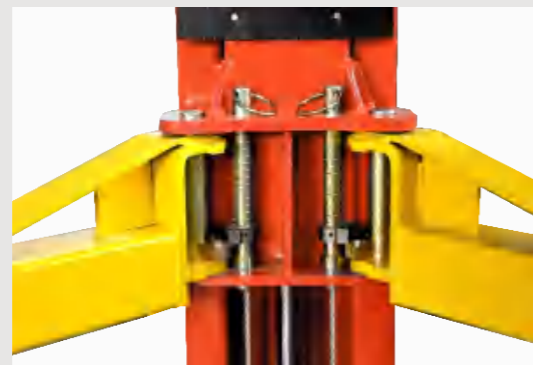


Saddle adapter (Optional)
Perfect choice for wide size SUV vehicles light trucks and heavy-duty trucks.
Kits No.:20802(suv and light trucks)
Kits No.:21103(heavy-duty trucks)

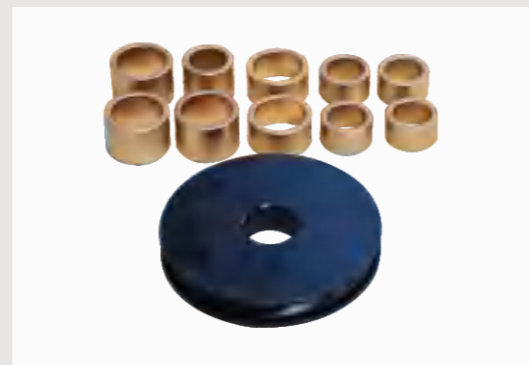
FEATURES



• Single point safety release makes it easier for operators to unlock both columns from one column.



• Automatic arm restraints.



• The pulley with Self-lubricating bronze bush



• The optional base plate extension Kits No.21501.

LESS MAINTENANCE, MORE RELIABLE

OH-12, OH-12S Two post lifts are the new products developed by AMGO for heavy duty purpose with a lifting capacity up to 12,000lbs. Heavy-duty construction, self-lubricating bush, sliders and high quality parts to make the lifts with almost no maintenance required.

5-3-2 warranty:
5 years for steel construction, 3 years for hydraulic parts, and 2 years for electrical components.