



Mini Jacks

Model: ZMJ Series
Capacity: 5 ~ 50 Ton

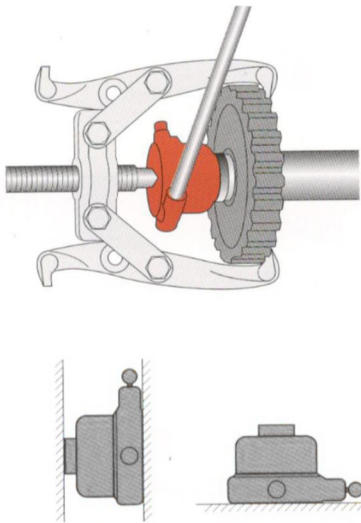
Usage:

Small size is ideal for centering heavy equipment or making fine adjustments. Compact, and powerful with a very low profile.



Special Features:

1. Compact and powerful with a very low profile.
2. Can be used in conjunction with a mechanical gear puller to create a hydraulic puller with over 10 ton capacity.
3. Can also be used as a spreader to apply force with just over 4.75" of clearance needed.
4. Use in either upright or horizontal position. When used horizontally stroke falls to approximately 60% of full stroke.
5. Use by many OEM manufacturers to center boom truck cranes.



ZMJ-5P
(Mini Jack with Gauge)



ZMJ-50

Model Number	Capacity (Tons)	Min. Height (in)	Max. Height (in)	Ram Lift (in)	Saddle Diameter (in)	Base Area (in)	Weight (lbs)
ZMJ-5C	5	2.36	3.15	0.78	Ø 1.10	3.70 x 3.50	5
ZMJ-5T	5	3.34	4.92	1.57	Ø 1.10	3.70 x 3.50	6
ZMJ-10	10	4.72	5.90	1.18	Ø 1.65	4.25 x 4.00	12
ZMJ-20	20	5.12	6.30	1.18	Ø 2.08	4.68 x 4.41	17
ZMJ-50	50	5.51	6.70	1.18	Ø 3.15	7.00 x 6.85	42