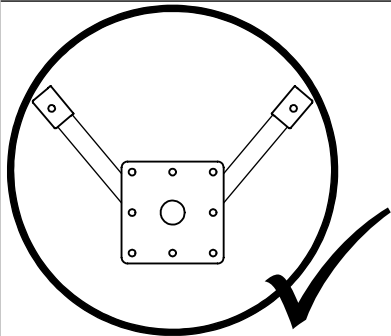
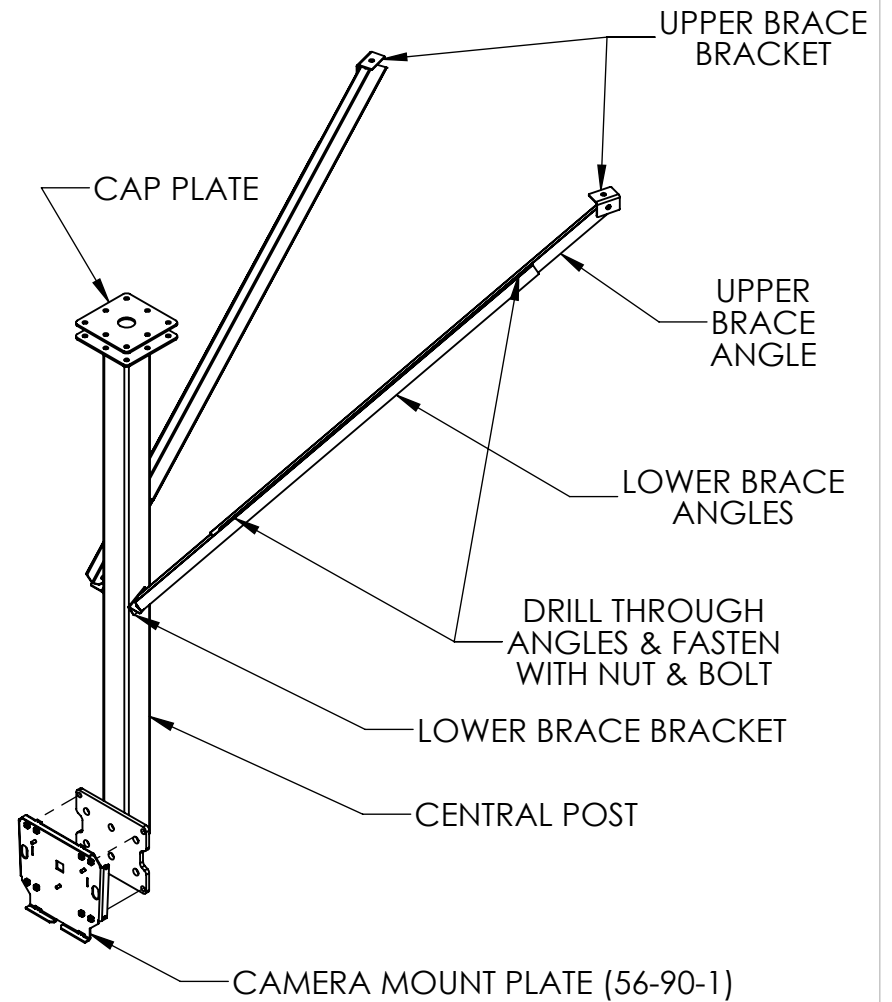
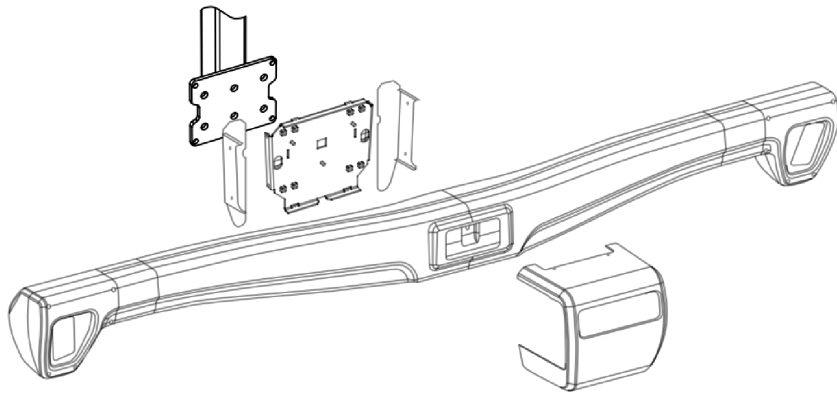
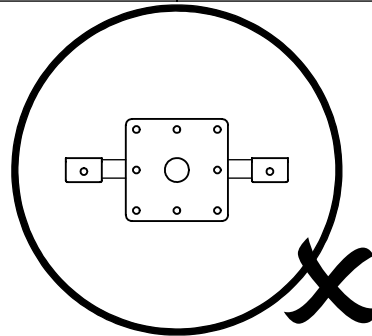


INSTRUCTION

1. INSTALL UNISTRUT IF NEEDED BETWEEN BEAMS OR TRUSSES
2. HANG CENTRAL POST FROM CEILING
 1. SANDWICH UNISTRUT OR TRUSS WITH CAP PLATE
 2. INSTALL DIRECTLY TO CEILING BEAM
3. LOCATE AND LOOSELY MOUNT UPPER BRACE BRACKETS
4. LOOSELY MOUNT BRACE ANGLES TO UPPER BRACE BRACKETS
5. INSTALL LOWER BRACE BRACKETS TO CENTRAL COLUMN USING LONG BOLT & NUT
6. LOOSELY MOUNT BRACE ANGLES TO LOWER BRACE BRACKETS
7. CLAMP TWO BRACE ANGLES TOGETHER AND DRILL HOLES
8. INSTALL BRACE HARDWARE AND TIGHTEN ALL BRACKET HARDWARE
9. INSTALL CAMERA MOUNT PLATE
(SUPPLIED WITH CAMERA SYSTEM)

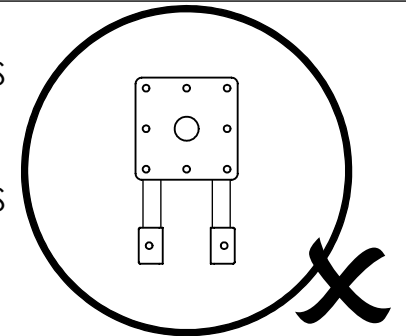


INSTALL BRACES OUTWARD OF THE SIDES OF THE CENTRAL COLUMN AND FORWARD OR BACKWARD OF THE CENTRAL COLUMN



DO NOT INSTALL BRACES DIRECTLY FORWARD OF CENTRAL COLUMN

DO NOT INSTALL BRACES DIRECTLY SIDWAYS OF CENTRAL COLUMN



CEILING MOUNT

CEILING MOUNT INSTALLATION INSTRUCTIONS

PROPRIETARY AND CONFIDENTIAL

THE INFORMATION CONTAINED IN THIS DRAWING IS THE SOLE PROPERTY OF QSP. ANY REPRODUCTION IN PART OR AS A WHOLE WITHOUT THE WRITTEN PERMISSION OF QSP IS PROHIBITED.

SCALE: 1:22