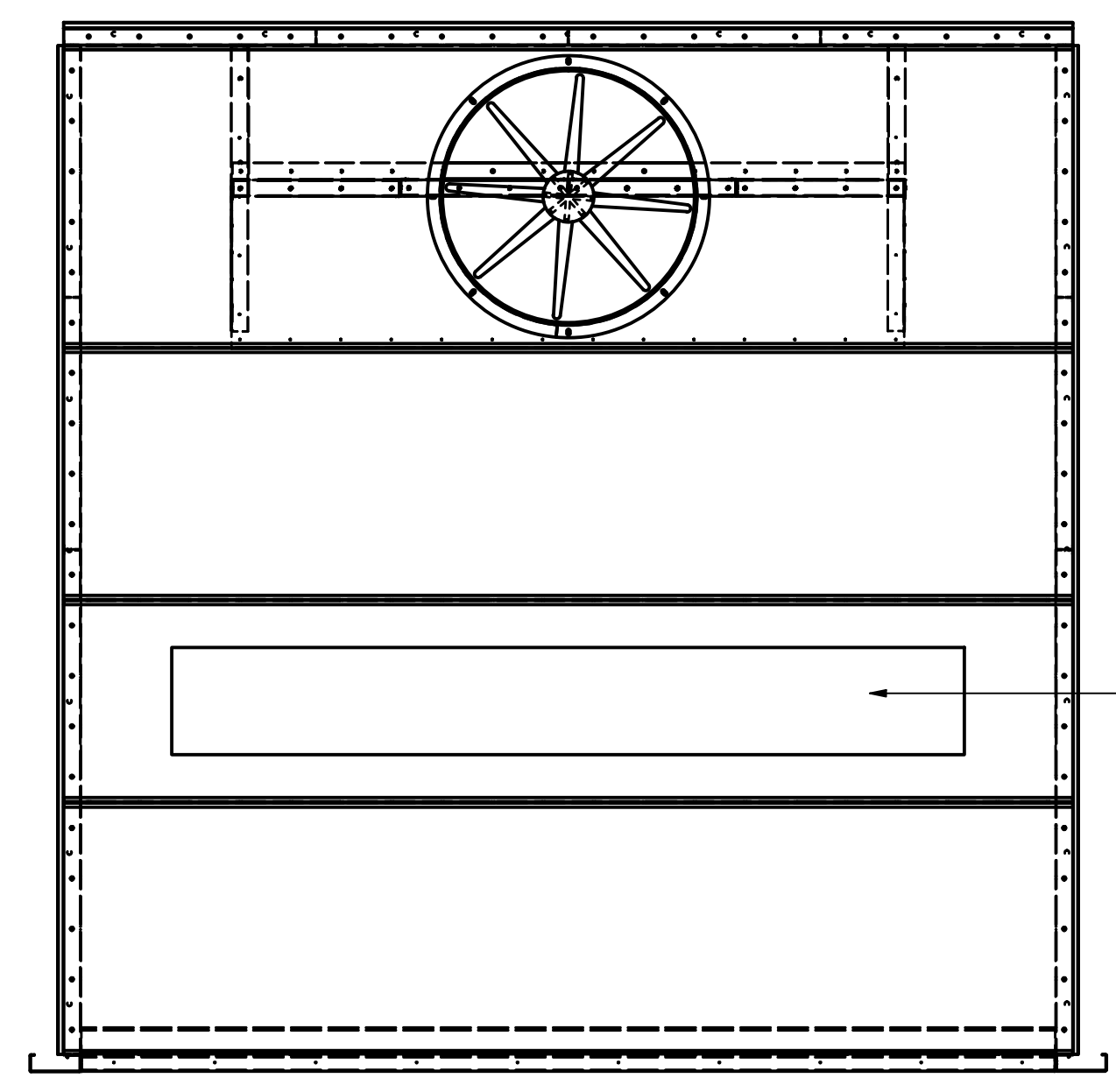


THIS DOCUMENT CONTAINS CONFIDENTIAL AND PROPRIETARY INFORMATION THAT CANNOT BE REPRODUCED OR DIVULGED, IN WHOLE OR IN PART, WITHOUT WRITTEN AUTHORIZATION FROM RGI REFINISHING GROUP INC

DRAWN	david	7/14/2021	RGI SPRAY BOOTHS	
CHECKED			TITLE	
QA			OPEN FACE	
MFG			10W X 8H X 10DP	
APPROVED			30" FAN 8' LIGHT	
MATERIAL			SIZE	DWG NO
			D	OPEN FACE 10W X 8H X 10DP
			SCALE	1 / 15
				SHEET 1 OF 1

30"FA

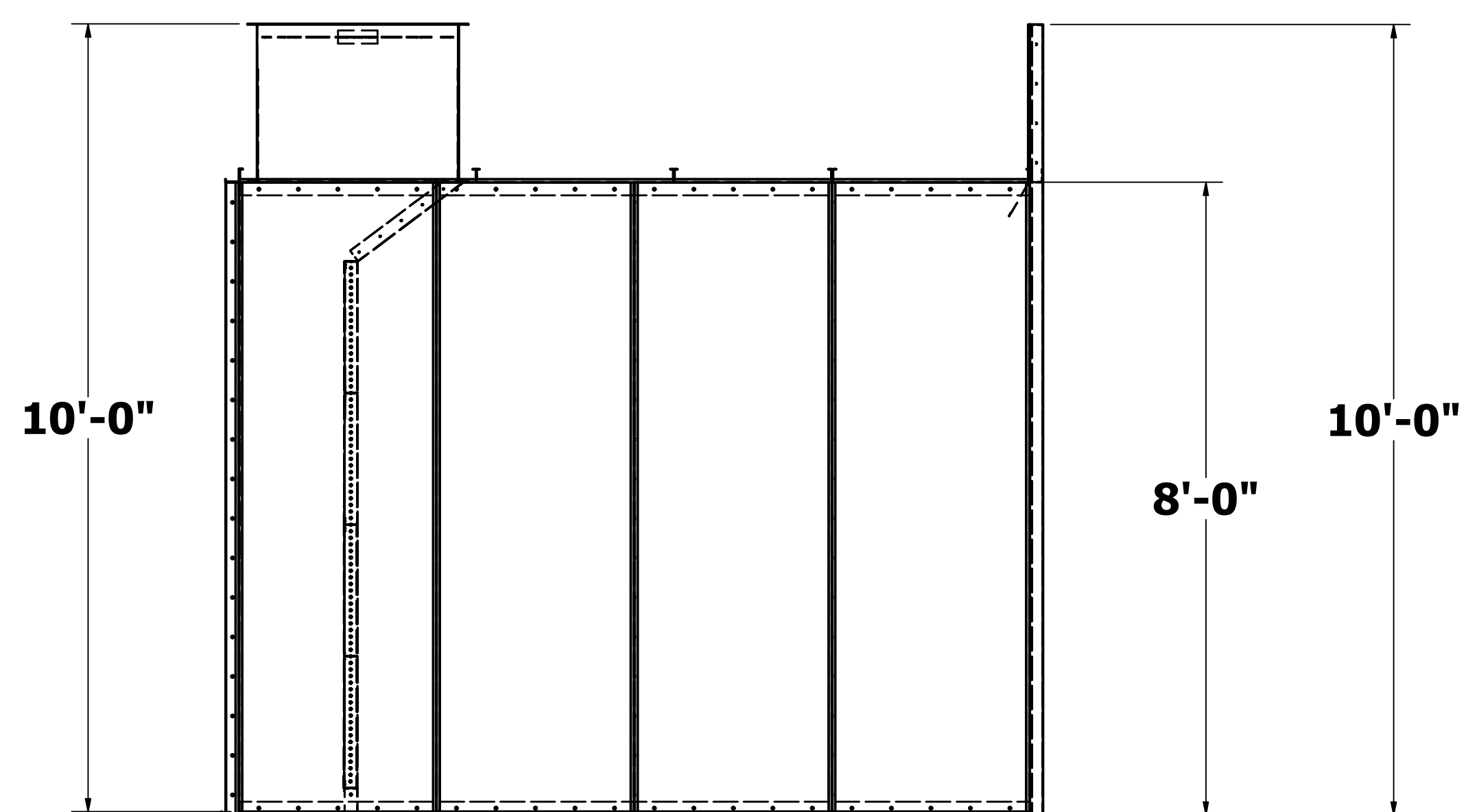
THIS DOCUMENT CONTAINS CONFIDENTIAL AND PROPRIETARY INFORMATION THAT CANNOT BE REPRODUCED OR DIVULGED, IN WHOLE OR IN PART, WITHOUT WRITTEN AUTHORIZATION FROM RGI SPRAY BOOTHS



RGI 8' LED LIGHT - (8) 4' LED TUBES

30" TUBEAXIAL FAN

(16) 20" X 20" EXHAUST FILTERS



10'-0"

8'-0"

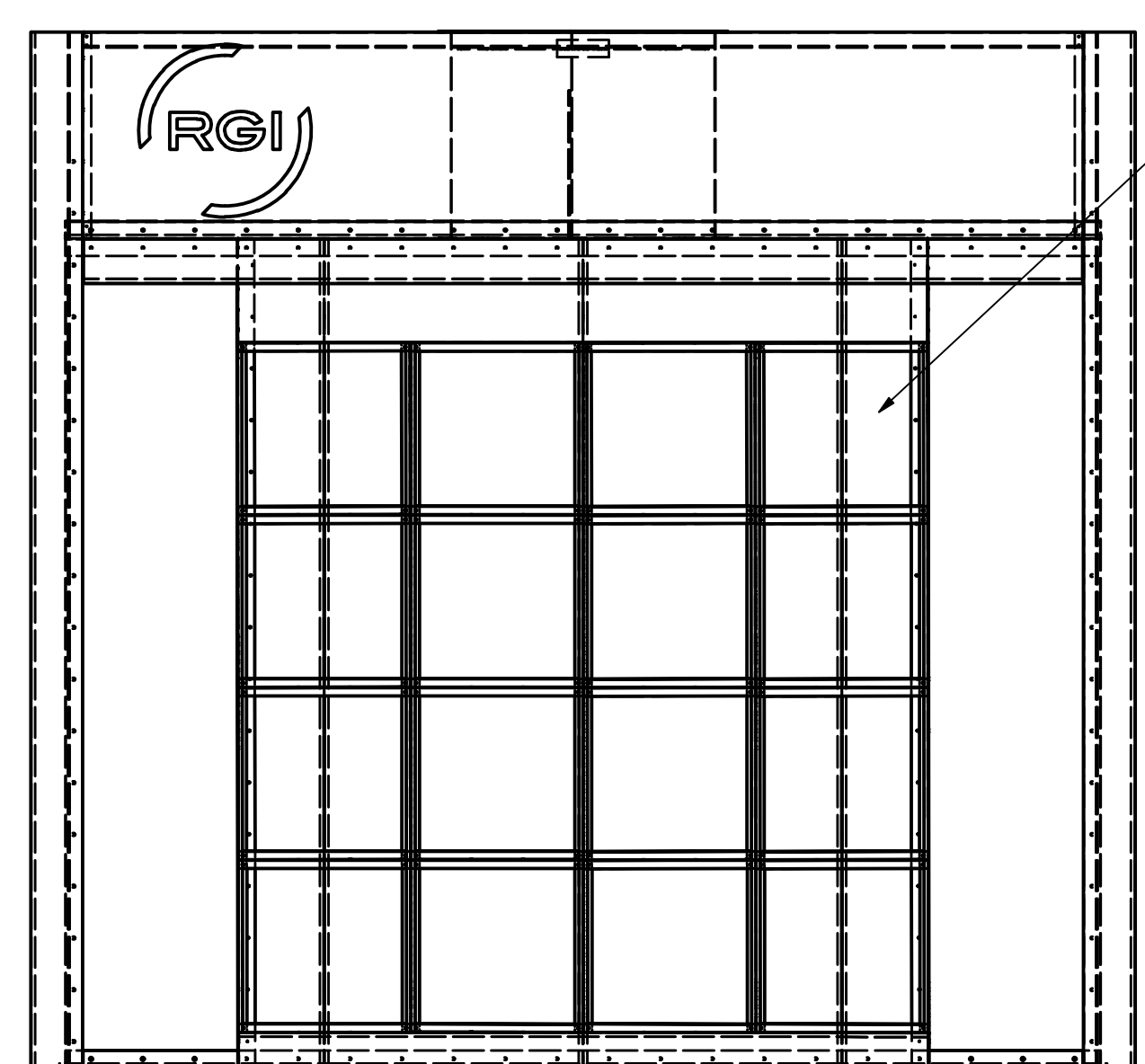
10'-0"

8'-8" WORK AREA

WORK HEIGHT

10'-2" INSIDE

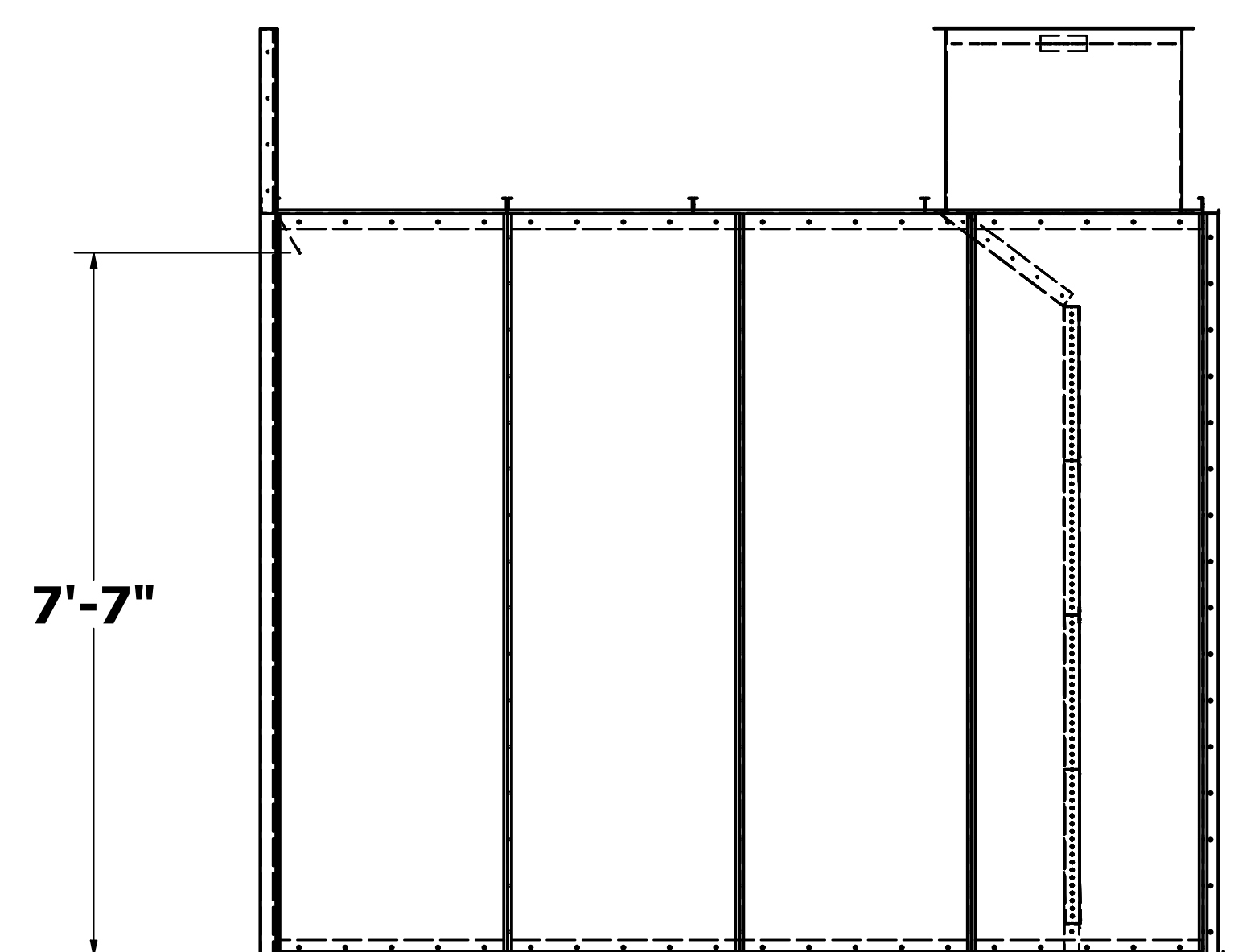
10'-4" OUTSIDE



9'-8" INSIDE

10'-0" BOOTH OUTSIDE

10'-8" OVERALL



7'-7"

FIRE FLASHING CLEARANCE

DRAWN david	7/21/2021	RGI SPRAY BOOTHS	
CHECKED		TITLE OPEN FACE	
QA		10W X 8H X 10DP	
MFG		30" FAN 8' LIGHT	
APPROVED		SIZE D	DWG NO
MATERIAL		SCALE 1/20	REV
		OPEN FACE 10W X 8H X 10DP 30"FA	
		SHEET 1 OF 1	