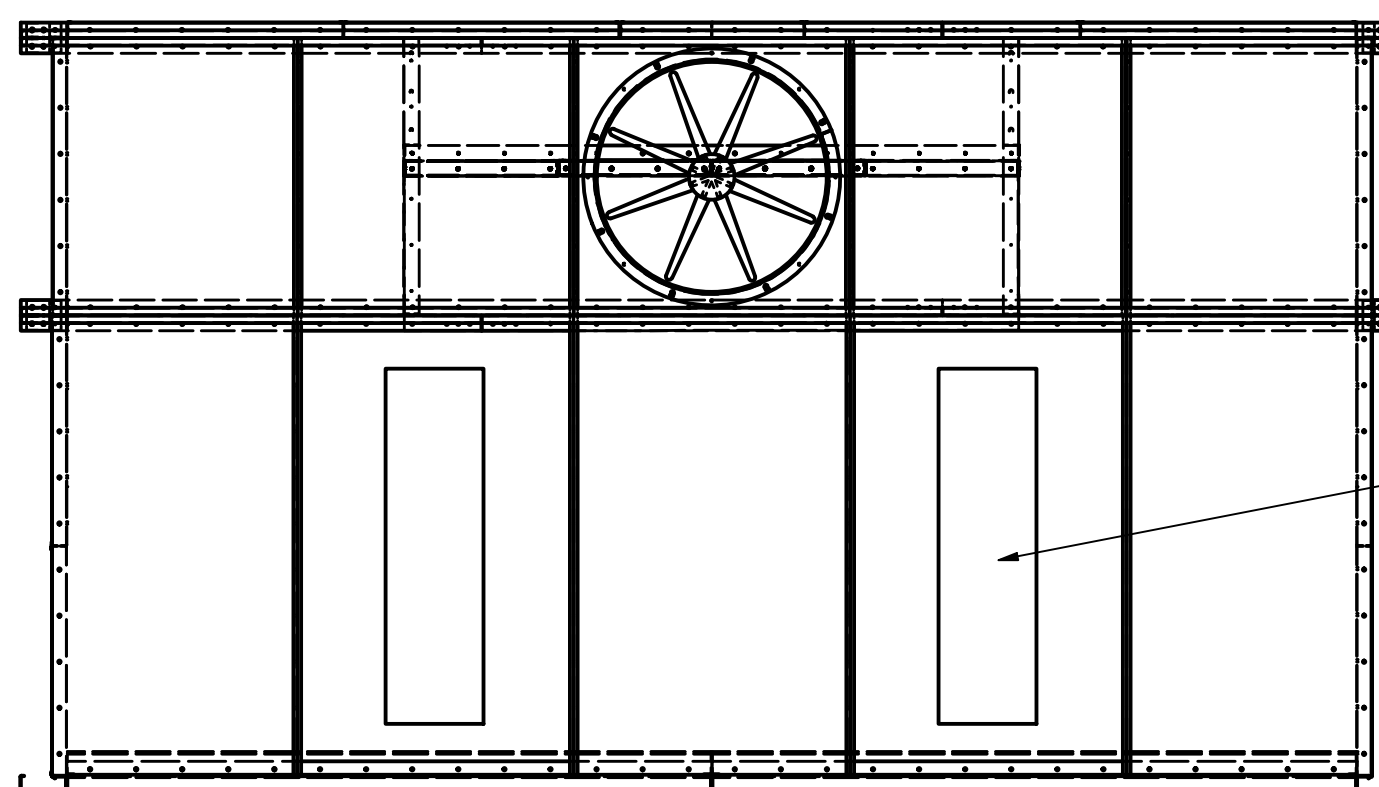


THIS DOCUMENT CONTAINS CONFIDENTIAL AND PROPRIETARY INFORMATION THAT CANNOT BE REPRODUCED OR DIVULGED, IN WHOLE OR IN PART, WITHOUT WRITTEN AUTHORIZATION FROM RGI REFINISHING GROUP INC

DRAWN	david	6/8/2021	RGI SPRAY BOOTHS	
CHECKED			TITLE	
QA			OPEN FACE	
MFG			14W X 9H X 8DP 30" FAN	
APPROVED			VECTOR EXHAUST PLENUM	
MATERIAL			SIZE	DWG NO
			D	OPEN FACE 14W X 9H X 8DP 30" FA
			SCALE	1 / 16
				SHEET 1 OF 1

8 7 6 5 4 3 2 1

THIS DOCUMENT CONTAINS CONFIDENTIAL AND PROPRIETARY INFORMATION THAT CANNOT BE REPRODUCED OR DIVULGED, IN WHOLE OR IN PART, WITHOUT WRITTEN AUTHORIZATION FROM RGI REFINISHING GROUP INC

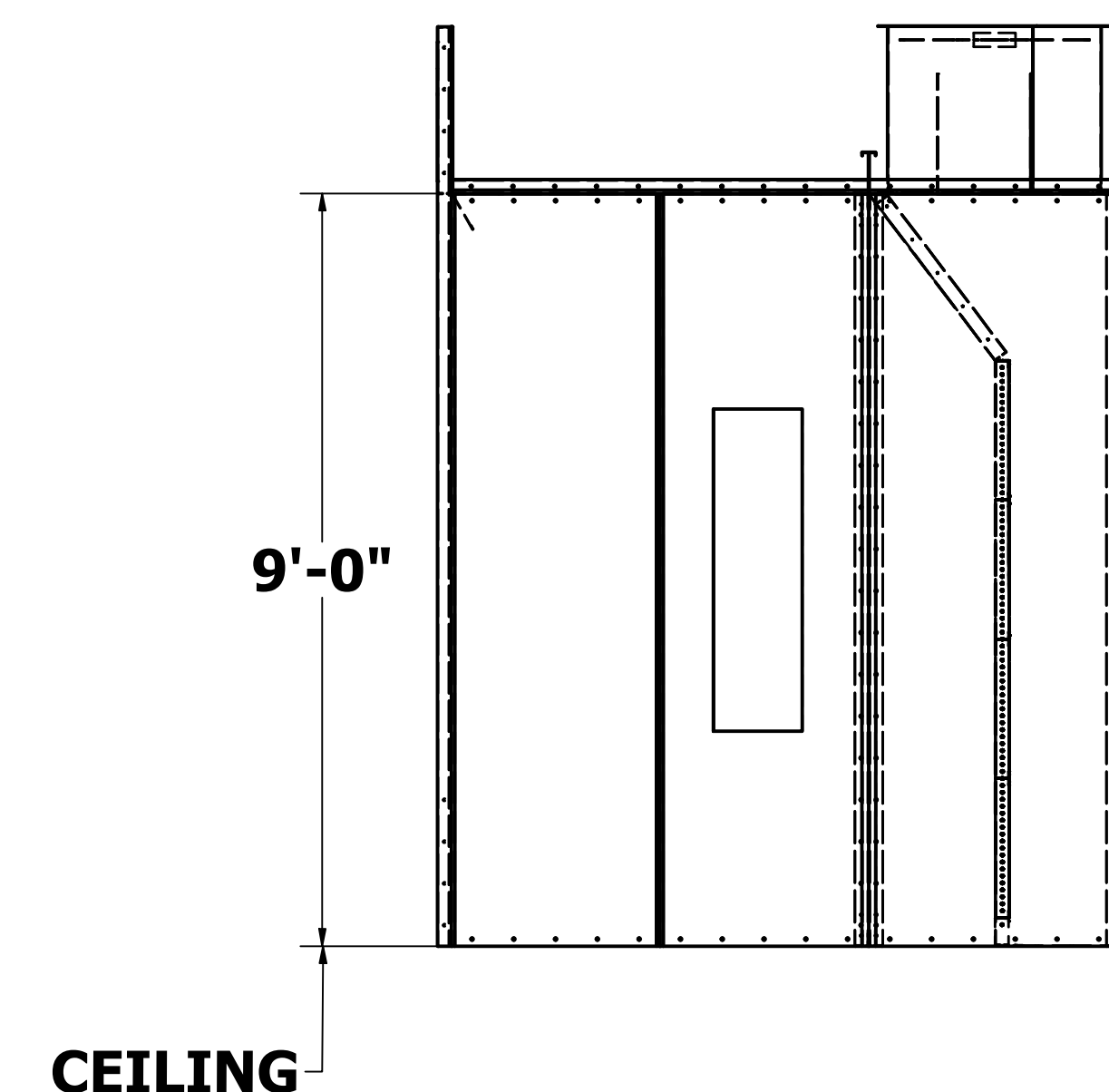
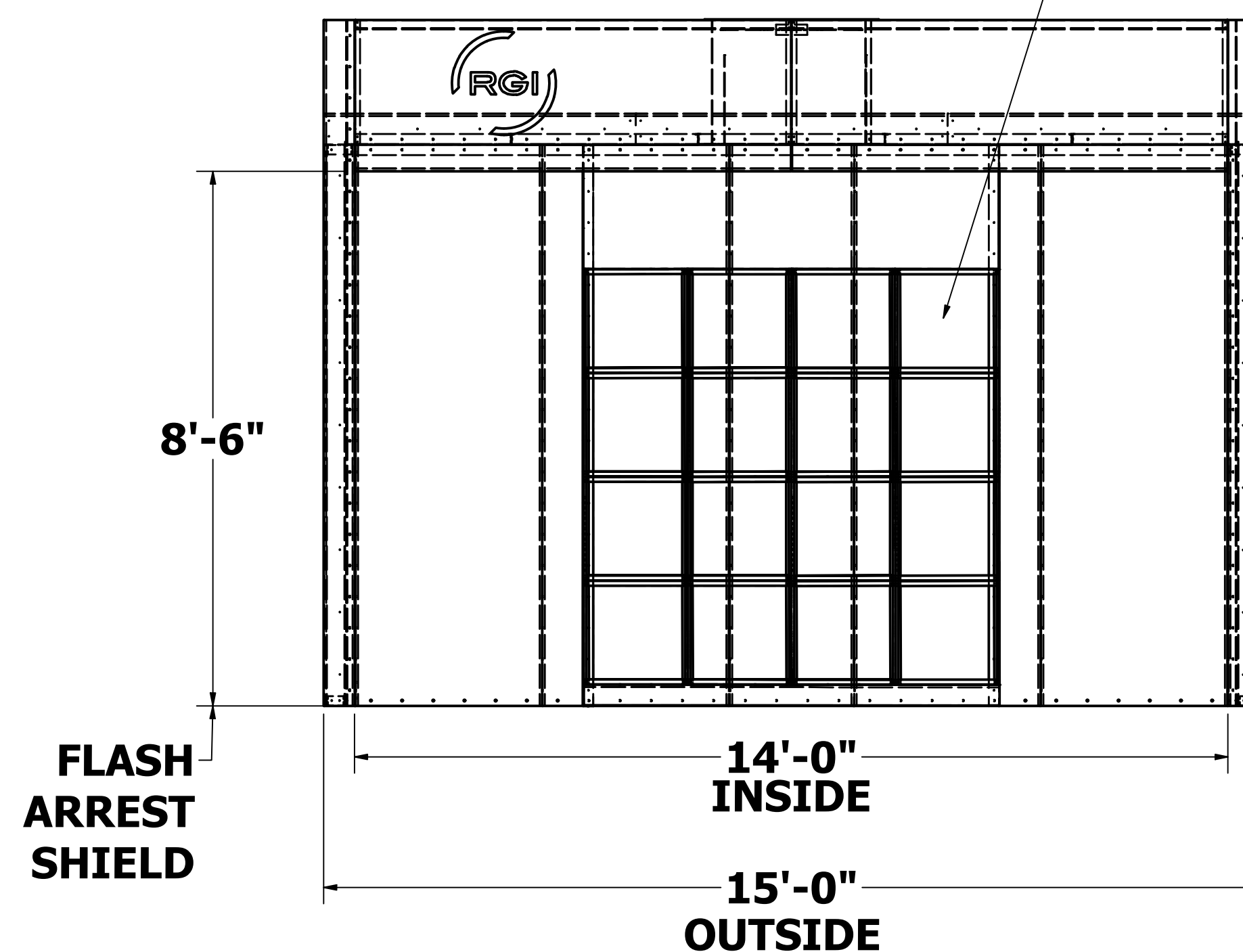
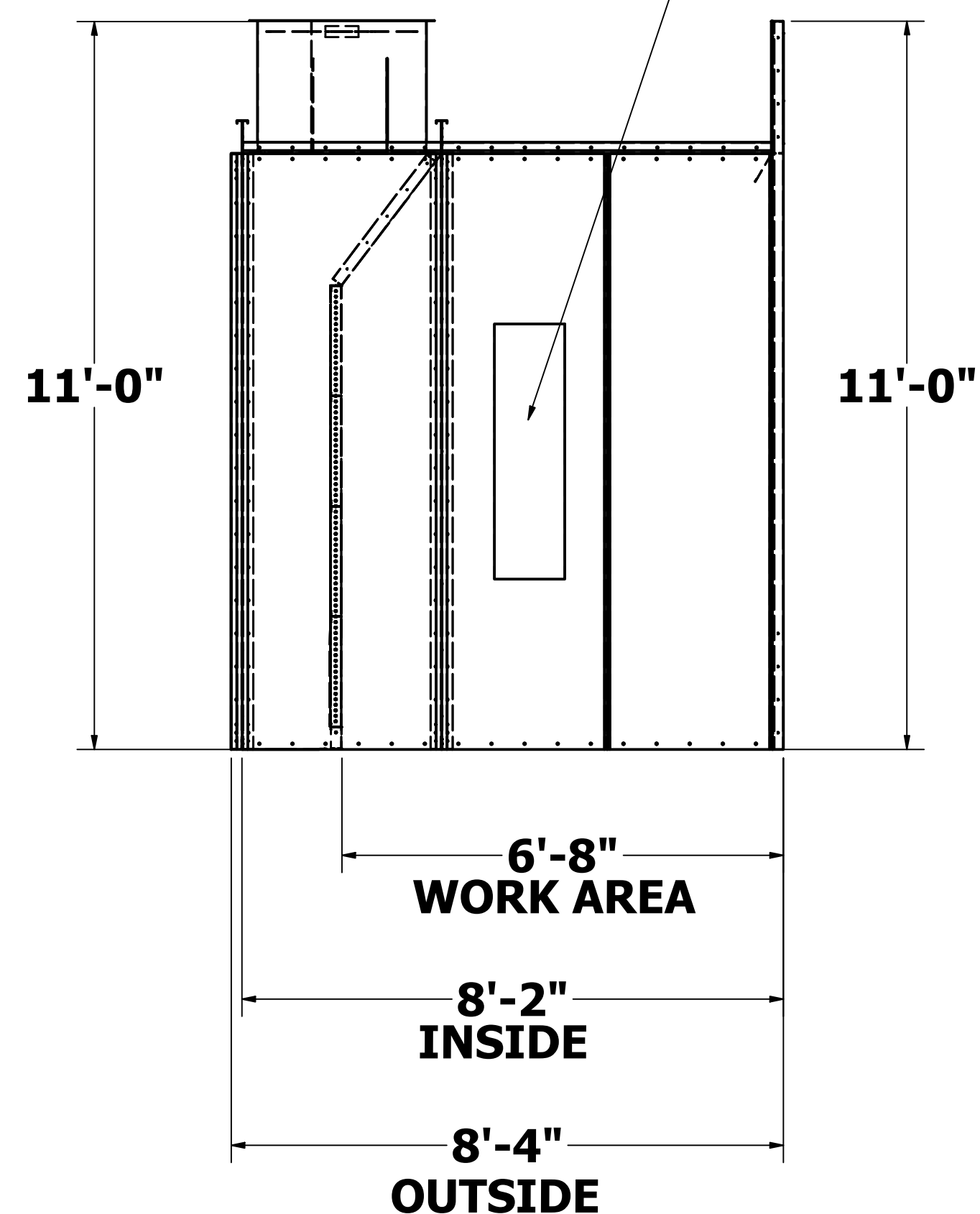


(2 CEILING) RGI LED LIGHTS 4' - 4 LED TUBES EACH

30" TUBEAXIAL EXHAUST FAN 3 HP

(2 CEILING) RGI LED LIGHTS 4' - 4 LED TUBES EACH

(16) 20" X 20" EXHAUST FILTERS



DRAWN	david	6/8/2021	RGI SPRAY BOOTHS	
CHECKED			TITLE	
QA			OPEN FACE	
MFG			14W X 9H X 8DP 30" FAN	
APPROVED			VECTOR EXHAUST PLENUM	
MATERIAL			SIZE	DWG NO
			D	OPEN FACE 14W X 9H X 8DP 30" FA
			SCALE	REV
			1/25	1
				SHEET 1 OF 1

8 7 6 5 4 3 2 1