





CL10AV3 LAUNCH

10K VERSYMMETRIC® ADJUSTABLE WIDTH 2-POST LIFT

Overview:

We are pleased to announce a significant upgrade for the CL10V3 – our **Adjustable Width Feature**. This enhancement is part of our commitment to providing flexible and innovative solutions to meet the ever-evolving needs of automotive shops.

SERVICE BAY SPECIFICATIONS

-  **HEIGHT:** 12' minimum
-  **WIDTH:** 14' recommended
-  **DEPTH:** 24' recommended
-  **POWER:** 208-230v, 1pH, 30 Amps




PRODUCT SPECIFICATIONS

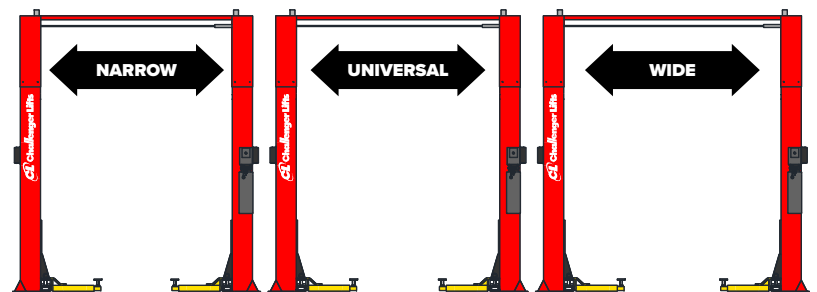
MODEL NUMBER	CL10AV3	CL10AV3-2	CL10AV3-3
Description	Standard	2' Extensions	3' Extensions
Lifting Capacity	10,000 lbs.		
Lift Configuration	Versymmetric®, 3-Stage Front & Rear		
Rise Height	74½"		
Height of Columns	11' 2" or 11' 8"	13' 2" or 13' 8"	14' 2" or 14' 8"
Max. Extended Cylinder Height	11' 11"		
Adjustable Width Overall	11' 6½"	12' ½"	12' 6½"
Drive Thru Clearance	(-12") 100"	(-6") 106"	(MAX) 112"
Floor to Overhead Switch	10' 8½" or 11' 2½"	12' 8½" or 13' 2½"	13' 8½" or 14' 2½"
Front Arm Reach	Min. 20" Max. 42"		
Rear Arm Reach	Min. 37½" Max. 60"		
Screw Pad Height	Min. 3¾" Max. 6½"		
Inside Columns	(-12") 110"	(-6") 116"	(MAX) 122"
Low Lock Height	12" Net Rise		
Rise Time	Standard: 38s QuickCycle™: 24s (est.)		
Max. Load per Arm	2,500 lb.		
ALI® Certified	<input checked="" type="checkbox"/>		

WIDTH CONFIGURATIONS

To better serve our customers' diverse lifting needs and the growing demand for Electric Vehicle service, we've upgraded our CL10V3. This new adjustable design ensures that our entire CL Series can now accommodate a wider range of vehicles, while providing your technicians with more space to work efficiently. Add flexibility to your shop with the enhanced width and height adjustability.

-  **Narrow:** Space Constraints or Express Pads configuration
- Universal:** Cars, SUVs, Trucks, Most Electric Vehicles
- Wide:** Optimal for Cars, EVs and Luxury vehicles

**The CL10A can also be set at the current 11' 10" width.*



ADJUSTABLE WIDTH SET-UP

This page features excerpts from the manual. Please refer to the installation and operation manual for complete installation of the CL10AV3.

Lift Preparation:

1. With the column assemblies lying flat, remove cable and hose rolls from inside the columns and manually push carriages up to gain access to sheave at base of column.
2. Remove hex bolt and sheave pin from sheave bracket, **Fig. 2**
3. Determine the sheave location on the lower bracket based on the overall height and width of lift at its chosen configuration. See **Fig. 3** below.

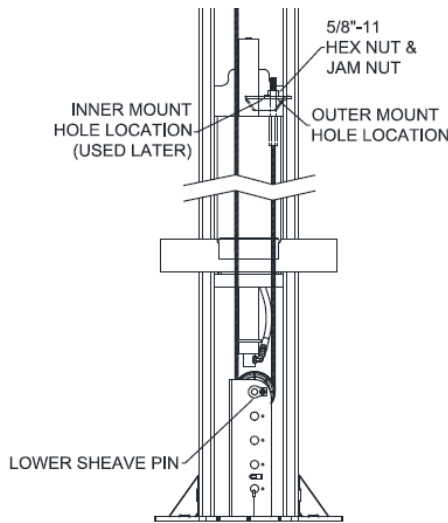


Fig. 2 - Cable Routing Layout

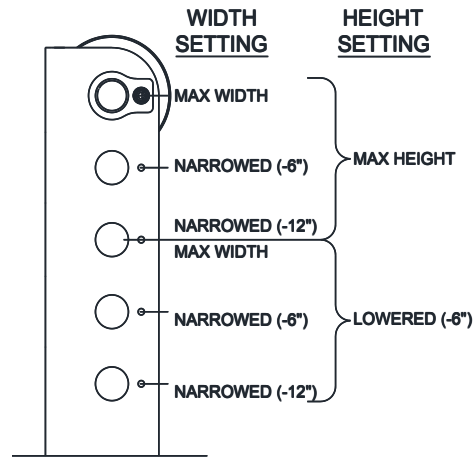


Fig. 3 - Sheave Position in Lower Bracket

Overhead:

1. Before raising overhead into position install 4 (2 per column) hex flange bolts and nuts in middle hole of column extension for temporary support of overhead. Lift overhead assembly up into position and install with 8 (4 per column) 3/8-16 x 3/4" lg hex flange bolts and hex flange nuts per side as shown in **Fig. 8**.

► For the max width position, the outer overhead holes will be used. For the (-6") width, one set of outer overhead holes and one set of inner overhead holes will be used. For the (-12") width, the inner set of overhead holes will be used.

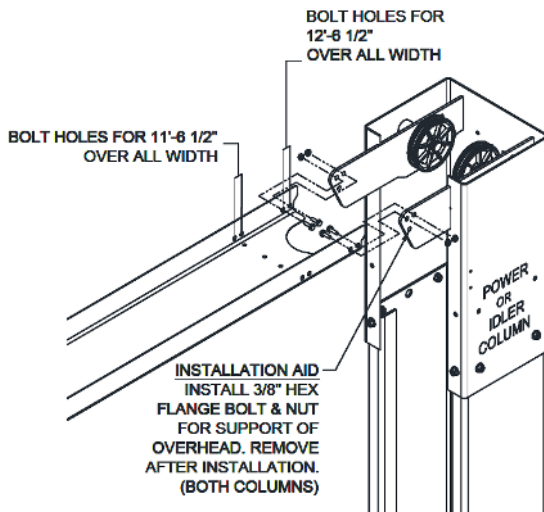


Fig. 8 - Overhead Assembly

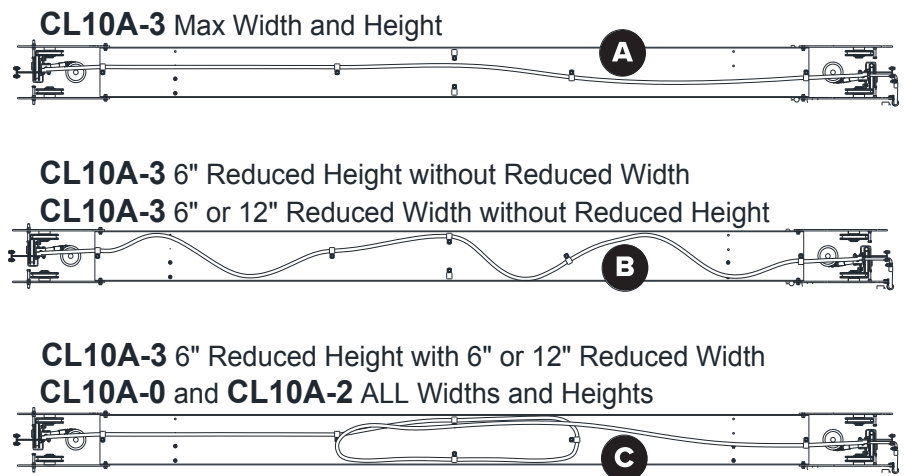


Fig. 13c - Hose Routing, Overhead

