

Blue Label™

BS SERIES HAND PALLET TRUCKS

Bishamon®



Bishamon BS Series Blue Label Pallet Trucks are easy to use and exceptionally durable. These premium pallet trucks have many features not found on most all competitive models and provide unsurpassed rollability.

Blue Label pallet trucks are designed and manufactured to easily move palletized loads. By utilizing top quality components and advanced manufacturing techniques, Bishamon's BS Series pallet trucks can be expected to outlast competitive models that promise comparable quality. Bishamon pallet trucks are completely rebuildable and offer many extra years of valued service.

Blue Label Pallet Trucks are available in three capacities, two fork widths, four fork lengths and two fork heights. A heavy duty model increases capacity to 6,500 lbs. and a low profile model decreases fork height to 2 in.

Blue Label Pallet Trucks are found in warehouses, factories, stockrooms, super markets, workshops, cold-rooms and freezers. They may also be used on loading docks and inside trucks.

Bishamon

Bishamon Industries Corporation

5651 East Francis Street
Ontario, California 91761-3601

(909) 390-0055 • (800) 358-8833
Fax (909) 390-0060

www.bishamon.com

Warranty - Bishamon Industries Corp. ("Bishamon") warrants its products to be free from defects in material and workmanship for a period of one (1) year from the date of initial shipment. This warranty shall not apply to any misuse, mishandling, accident, shipping, alteration, or unauthorized repair of any Bishamon product or part. For complete details of warranty, please contact Bishamon at 800-358-8833.

E.A.S.E. Equipment Safety Equipment

LMPS

THE NATIONAL Pallet Association

MHI MEMBER COMPANY

MHEBA

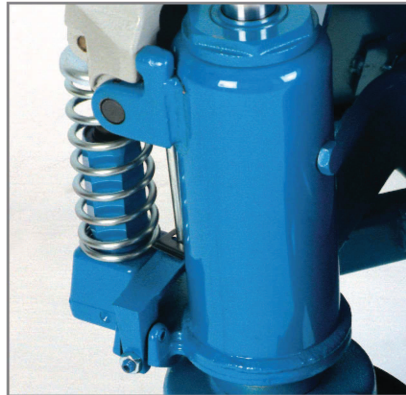
Blue Label™

BS SERIES HAND PALLET TRUCKS

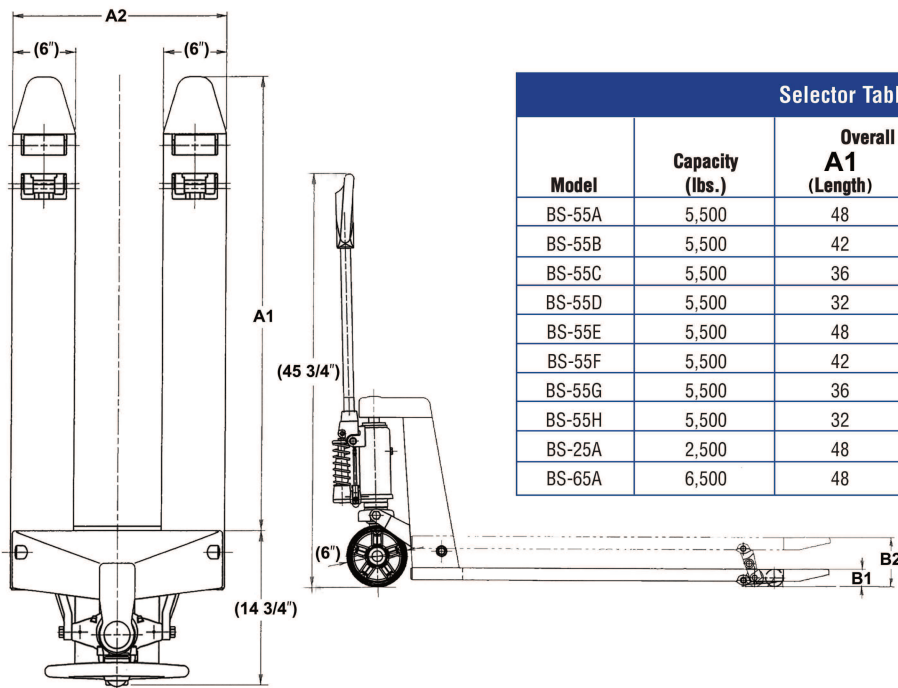
Working Harder To
Make Your Life Easier



Three position ergonomic hand lever controls the hydraulic system with the handle in any position



Self-contained rebuildable hydraulic system



Selector Table for BS Series Hand Pallet Trucks

Model	Capacity (lbs.)	Overall Fork Dimensions (in.)		Fork Height (in.)		Weight (lbs.)
		A1 (Length)	A2 (Width)	B1 (Lowered)	B2 (Raised)	
BS-55A	5,500	48	27	2.9	7.8	224
BS-55B	5,500	42	27	2.9	7.8	215
BS-55C	5,500	36	27	2.9	7.8	205
BS-55D	5,500	32	27	2.9	7.8	198
BS-55E	5,500	48	20.5	2.9	7.8	198
BS-55F	5,500	42	20.5	2.9	7.8	190
BS-55G	5,500	36	20.5	2.9	7.8	182
BS-55H	5,500	32	20.5	2.9	7.8	174
BS-25A	2,500	48	27	2.0	5.5	203
BS-65A	6,500	48	27	3.3	8.0	281

Standard Features

- Ergonomic, three position hand lever controls lift, lower and neutral functions with the handle in any position
- Handle swivels through 210 degrees
- Steering head and hydraulic assembly use quality, low friction thrust bearings
- High quality polyurethane wheels and load rollers provide superior rollability and durability
- Premium quality ball bearings on all wheels and load rollers

- Rugged construction with high strength steel and continuous welds
- One piece formed fork adds strength and durability
- Durable formed steel entry slide guides truck into pallets and diverts debris
- Solid steel, non-adjustable push rods increase durability
- Hydraulic assembly and frame are completely rebuildable
- Quality baked enamel finish



Formed fork for added strength and durability



Steel reinforced plate strengthens frame and keeps forks parallel



Formed steel entry slide diverts debris and guides forks into pallet

DISTRIBUTED BY:

Bishamon Industries Corporation

5651 East Francis Street
Ontario, California 91761-3601

(909) 390-0055 • (800) 358-8833
Fax (909) 390-0060

www.bishamon.com